

Using This Retrofit Guide

This document is best viewed with Adobe Reader 6.0. To obtain the latest version of Adobe Reader, visit <http://www.adobe.com>

Specification sheets on Watlow product may be obtained at <http://www.watlow.com/literature/specsheets/>
User Manuals on Watlow product may be obtained at <http://www.watlow.com/literature/prodtechinfo/>
Additional information on other Watlow products may be obtained by visiting <http://www.watlow.com/>

To locate a controller, search on the part number such as 965A-1CD0-00RG. Use the Help feature in Adobe Reader on how to search documents.

If there are multiple listings, then the retrofit is conditional upon field use. Select the appropriate selection. The User's Manual is included at the bottom of this document when available.

Before selecting a replacement controller:

1. Know the application.
 - Temperature range
 - Sensor type
 - Is the sensor upgradable if required?
 - Additional input requirements – remote set points, secondary sensor or events
 - Output required – control, alarm, event
 - Is the power-switching device upgradable?
 - Operating voltage of controller
 - Mounting requirements – panel space
 - Is a safety limit device required?
2. Know the product.
 - Inputs – type and number of
 - Control function – direct (cool) or reverse (heat)
 - Outputs – switched DC, SSR, or mechanical relay
 - Communication requirements
 - Which control features are required? (cascade, slidewire, differential, remote control, other)
3. Use your best judgment for selecting a replacement controller. All applications require close examination of input, output and the control mode needs to have the controller function properly.
4. Safety: Remember to make sure all redundant safety equipment is in place and working when retrofitting equipment. If a system has been retrofitted without the proper safety equipment, you could be liable if an accident occurs.

This is only a guide to replacement controllers. If you have doubts, please call (507) 454-5300 and ask for technical support or email wintechsupport@watlow.com. We're here to help. The suggested replacement will differ in fit and form. Please review the replacement controller specifications for suitability. Carefully check the notes for additional information that may apply.

Your comments or suggestions on the Retrofit Guide are welcome. Please send comments or corrections to: Technical Writer, Watlow Controls, 1241 Bundy Boulevard, P.O. Box 5580, Winona, MN 55987-5580; phone (507) 454-5300; fax (507) 452-4507. This Retrofit Guide is copyrighted by Watlow Winona, Inc., © February 2004 with all rights reserved. (1455)

Abbreviation & Terminology

(as used in this document)

0.5 – 0.5 amperes of current switching capability

2A – 2 amperes of current switching capability

5A - 5 amperes of current switching capability

10A – 10 amperes of current switching capability

15A – 15 amperes of current switching capability

12-24 – Supply voltage can be between 12 to 24 Volts

100-240 – Supply voltage can be between 100 to 240 Volts

100 ohm DIN – refers to 100-ohm platinum RTD that has a DIN curve.

100 ohm JIS – refers to 100-ohm platinum RTD that has a JIS curve.

1/32 DIN – Deutsche Industrial Norm standard for panel mounted controller, hole size is cut to 1.78”w x 0.88”h.

1/16 DIN – Deutsche Industrial Norm standard for panel mounted controller, hole size is cut to 1.78”w x 1.77”h.

1/8V DIN – Deutsche Industrial Norm standard for panel mounted controller, hole size is cut to 1.78”w x 3.63”h.

1/8H DIN – Deutsche Industrial Norm standard for panel mounted controller, hole size is cut to 3.63”w x 1.77”h”

1/8S DIN – Deutsche Industrial Norm standard for panel mounted controller, hole size is cut to 2.68”w x 2.68”h.

¼ DIN – Deutsche Industrial Norm standard for panel mounted controller, hole size is cut to 3.63”w x 3.63”h.

Action – determines the direction of control. Heat (reverse acting) or Cool (direct acting).

Auto Reset – the limit will automatically reset on a power cycle but requires manual reset on limit trip.

Cascade – a control algorithm in which the output of one control loop provides a set point for another loop. The second loop, in turn, determines the control action.

Ch – Channel refers to an analog input. There are single and dual channel controllers.

Control Mode – the method that a controller uses to switch the outputs such as PID, ON/OFF, and Manual.

Differential - control algorithm in which the output is based on the difference of the inputs plus set point.

DIN – Deutsche Industrial Norm, a set of technical, scientific and dimensional standards developed in Germany. RTD sensors with the DIN curve change resistance at a rate of 0.00385 ohms/ohms/C.

DIN Rail – standard DIN EN50022 mounting method for attaching devices onto a metal rail.

Fixed – refers to a set point that is fixed at one value.

High Limit - device will deactivate output on a temperature rise above set point.

Inductive Load – any device that has a wire winding such as solenoids, electromechanical relays or transformers.

Input – refers to the sensor types that may be connected.

Integral – the set point in integral (on board) to the controller.

JIS – Joint Industrial Standards, a set of technical, scientific and dimensional standards developed in Japan. RTD sensors with the JIS curve change resistance at a rate of 0.00396 ohms/ohms/C.

Line Voltage – the voltage required powering the electronics of the controller.

Low Limit - device will deactivate output on a temperature drop below set point.

On/Off – a method of control that turns the output full on until set point is reached and then off until the process error exceeds the hysteresis.

Open Brd – the form factor of this controller is an open circuit board mounted on four standoffs.

Manual Reset – the limit must be reset on a power cycle and requires manual reset on limit trip.

Multi RSP – multiple remote set potentiometers were supported. Each allowed the set point to be selected and adjusted.

Relay – refers to an electromechanical relay.

Remote – set point is adjusted using a remote potentiometer.

Panel – the form factor of this controller is mounted through a hole cut in the panel.

PI – Proportional and Integral, a control mode with two functions: proportional action dampens the systems response, and integral corrects for droop.

PID – Proportional, Integral, and Derivative, a control mode with three functions: proportional action dampens the systems response, integral corrects for droop, and derivative prevents overshoot and undershoot.

Potted – the circuit board and electronics are encased in epoxy.

Proc – Process input may accept 0-5, 1-5, 0-10 volts or 0-20 and 4-20 mA.

Profiling – Controller will perform a sequence of programmed steps.

Programmable – The feature is changeable in the field through jumpers and/or parameter selection.

RTD – Resistance Temperature Detector, a sensor that is 100 ohms at 0 degrees C and made of platinum material.

SSR – Solid State Relay, these devices will switch AC voltage only and require a load to latch on.

Sw DC – Switched DC, a time proportioning DC output used to drive DC input solid state relays.

t/c – Thermocouple sensor device made by joining two dissimilar metals whose standards is identified by a letter.

Temp Range – the range over which the controller could have the set point adjustment.

Thermistor – a sensor that changes resistance as the temperature changes. Similar but not the same as an RTD.

Universal – Input can be a thermocouple, 100 ohm DIN RTD or process (volts or milliamperes)

VAC – Volts Alternating Current

VAC/DC- Volts Alternating Current or Direct Current

VDC – Volts Direct Current

VTB Sw DC – Variable Time Base Switched Direct Current, a time proportioning DC output where the cycle time is variable.

These notes are used to signify areas of concern in changing to a retrofit choice. These notes are also printed at the end of the retrofit listing.

Note 1: Retrofit controller requires a substitution of a 100 Ohm RTD sensor for the thermistor.

Note 2: Mounting and dimensions of retrofit controller are different. Verify that sufficient panel space and depth is available.

Note 3: Retrofit controller outputs are different. Add external interposing mechanical or solid state relay if applicable.

Note 4: Retrofit controller has a programmable, not fixed set point. Lock set point using controller's lockout parameter.

Note 5: For DIN rail mounting or sub-panel mounting, purchase DIN rail adapter p/n 0822-0586-P001 for 1/32 DIN or p/n 0822-0586-P002 for 1/16 DIN.

Note 6: Add a suppressor, Watlow p/n 0804-0147-0000, for inductive loads.

Note 7: Retrofit does not have equivalent action (as example, no manual reset)

Note 8: Retrofit controller does not have dual dial scale.

Note 9: Hardware lockout is not available on retrofit.

Note 10: Retrofit controller does not have user selectable line voltage.

Note 11: Retrofit does not support remote set point or retransmit. Check if pins 13, 14, 15 or 16 have termination. If wires are on these pins, select a different retrofit.

Note 12: Retrofit controller does not have user selectable control action.

Note 13: Solid state sensor required for humidity. See <http://www.vaisala.com>

Note 14: Retrofit controller does not have user selectable control mode.

Note 15: Use auxiliary event board A007-1732-F4B8

Note 16: Retrofit communications are different, consult specifications.

Note 17: Verify retrofit input range matches application.

Series 142

<u>Series 142</u>	Line									See Notes
	Voltage	Input	Temp Range	Control Mode	Action	Output	Set Point	Mounting	Retrofit	Below
142A-2676-1200	120 VAC	J t/c	140 to 294°F	High limit	Manual Reset	3A Relay	Remote	Potted	LV C1HU 0140 0294 A	2, 6, 8
142A-2676-1200	120 VAC	J t/c	60 to 146°C	High limit	Manual Reset	3A Relay	Remote	Potted	LV C1JU 0060 0146 A	2, 6, 8
142A-2676-1300	120 VAC	J t/c	140 to 294°F	High limit	Automatic Reset	3A Relay	Remote	Potted	LV C1HW 0140 0294 A	2, 6, 8
142A-2676-1300	120 VAC	J t/c	60 to 146°C	High limit	Automatic Reset	3A Relay	Remote	Potted	LV C1JW 0060 0146 A	2, 6, 8
142A-2676-1400	120 VAC	J t/c	140 to 294°F	On/Off	Heat	3A Relay	Remote	Potted	CV C1HH 0140 0294 A	2, 6, 8
142A-2676-1400	120 VAC	J t/c	60 to 146°C	On/Off	Heat	3A Relay	Remote	Potted	CV C1JH 0060 0146 A	2, 6, 8
142A-2676-2200	230 VAC	J t/c	140 to 294°F	High limit	Manual Reset	3A Relay	Remote	Potted	LV E1HU 0140 0294 A	2, 6, 8
142A-2676-2200	230 VAC	J t/c	60 to 146°C	High limit	Manual Reset	3A Relay	Remote	Potted	LV E1JU 0060 0146 A	2, 6, 8
142A-2676-2300	230 VAC	J t/c	140 to 294°F	High limit	Automatic Reset	3A Relay	Remote	Potted	LV E1HW 0140 0294 A	2, 6, 8
142A-2676-2300	230 VAC	J t/c	60 to 146°C	High limit	Automatic Reset	3A Relay	Remote	Potted	LV E1JW 0060 0146 A	2, 6, 8
142A-2676-2400	230 VAC	J t/c	140 to 294°F	On/Off	Heat	3A Relay	Remote	Potted	CV E1HH 0140 0294 A	2, 6, 8
142A-2676-2400	230 VAC	J t/c	60 to 146°C	On/Off	Heat	3A Relay	Remote	Potted	CV E1JH 0060 0146 A	2, 6, 8
142A-2686-1200	120 VAC	J t/c	149°F	High limit	Manual Reset	3A Relay	Fixed	Potted	LF C2HU 0149 AAAA A	6, 8
142A-2686-1200	120 VAC	J t/c	65°C	High limit	Manual Reset	3A Relay	Fixed	Potted	LF C2JU 0065 AAAA A	6, 8
142A-2686-1300	120 VAC	J t/c	149°F	High limit	Automatic Reset	3A Relay	Fixed	Potted	LF C2HW 0149 AAAA A	6, 8
142A-2686-1300	120 VAC	J t/c	65°C	High limit	Automatic Reset	3A Relay	Fixed	Potted	LF C2JW 0065 AAAA A	6, 8
142A-2686-1400	120 VAC	J t/c	149°F	On/Off	Heat	3A Relay	Fixed	Potted	CF C2HH 0149 AAAA A	6, 8
142A-2686-1400	120 VAC	J t/c	65°C	On/Off	Heat	3A Relay	Fixed	Potted	CF C2JH 0065 AAAA A	6, 8
142A-2686-2200	230 VAC	J t/c	149°F	High limit	Manual Reset	3A Relay	Fixed	Potted	LF E2HU 0149 AAAA A	6, 8
142A-2686-2200	230 VAC	J t/c	65°C	High limit	Manual Reset	3A Relay	Fixed	Potted	LF E2JU 0065 AAAA A	6, 8
142A-2686-2300	230 VAC	J t/c	149°F	High limit	Automatic Reset	3A Relay	Fixed	Potted	LF E2HW 0149 AAAA A	6, 8
142A-2686-2300	230 VAC	J t/c	65°C	High limit	Automatic Reset	3A Relay	Fixed	Potted	LF E2JW 0065 AAAA A	6, 8
142A-2686-2400	230 VAC	J t/c	149°F	On/Off	Heat	3A Relay	Fixed	Potted	CF E2HH 0149 AAAA A	6, 8
142A-2686-2400	230 VAC	J t/c	65°C	On/Off	Heat	3A Relay	Fixed	Potted	CF E2JH 0065 AAAA A	6, 8
142A-2696-1200	120 VAC	J t/c	900°F	High limit	Manual Reset	3A Relay	Fixed	Potted	LF C2HU 0900 AAAA A	6, 8
142A-2696-1200	120 VAC	J t/c	482°C	High limit	Manual Reset	3A Relay	Fixed	Potted	LF C2JU 0482 AAAA A	6, 8
142A-2696-1300	120 VAC	J t/c	900°F	High limit	Automatic Reset	3A Relay	Fixed	Potted	LF C2HW 0900 AAAA A	6, 8
142A-2696-1300	120 VAC	J t/c	482°C	High limit	Automatic Reset	3A Relay	Fixed	Potted	LF C2JW 0482 AAAA A	6, 8
142A-2696-1400	120 VAC	J t/c	900°F	On/Off	Heat	3A Relay	Fixed	Potted	CF C2HH 0900 AAAA A	6, 8
142A-2696-1400	120 VAC	J t/c	482°C	On/Off	Heat	3A Relay	Fixed	Potted	CF C2JH 0482 AAAA A	6, 8
142A-2696-2200	230 VAC	J t/c	900°F	High limit	Manual Reset	3A Relay	Fixed	Potted	LF E2HU 0900 AAAA A	6, 8
142A-2696-2200	230 VAC	J t/c	482°C	High limit	Manual Reset	3A Relay	Fixed	Potted	LF E2JU 0482 AAAA A	6, 8
142A-2696-2300	230 VAC	J t/c	900°F	High limit	Automatic Reset	3A Relay	Fixed	Potted	LF E2HW 0900 AAAA A	6, 8
142A-2696-2300	230 VAC	J t/c	482°C	High limit	Automatic Reset	3A Relay	Fixed	Potted	LF E2JW 0482 AAAA A	6, 8
142A-2696-2400	230 VAC	J t/c	900°F	On/Off	Heat	3A Relay	Fixed	Potted	CF E2HH 0900 AAAA A	6, 8
142A-2696-2400	230 VAC	J t/c	482°C	On/Off	Heat	3A Relay	Fixed	Potted	CF E2JH 0482 AAAA A	6, 8
142A-2702-1200	120 VAC	J t/c	200 to 600°F	High limit	Manual Reset	3A Relay	Remote	Potted	LV C1HU 0200 0600 A	2, 6, 8
142A-2702-1200	120 VAC	J t/c	93 to 316°C	High limit	Manual Reset	3A Relay	Remote	Potted	LV C1JU 0093 0316 A	2, 6, 8
142A-2702-1300	120 VAC	J t/c	200 to 600°F	High limit	Automatic Reset	3A Relay	Remote	Potted	LV C1HW 0200 0600 A	2, 6, 8
142A-2702-1300	120 VAC	J t/c	93 to 316°C	High limit	Automatic Reset	3A Relay	Remote	Potted	LV C1JW 0093 0316 A	2, 6, 8
142A-2702-1400	120 VAC	J t/c	200 to 600°F	On/Off	Heat	3A Relay	Remote	Potted	CV C1HH 0200 0600 A	2, 6, 8

Series 142

<u>Series 142</u>	Line	Voltage	Input	Temp Range	Control Mode	Action	Output	Set Point	Mounting	Retrofit	See Notes Below
	142A-2702-1400	120 VAC	J t/c	93 to 316°C	On/Off	Heat	3A Relay	Remote	Potted	CV C1JH 0093 0316 A	2, 6, 8
	142A-2702-2200	230 VAC	J t/c	200 to 600°F	High limit	Manual Reset	3A Relay	Remote	Potted	LV E1HU 0200 0600 A	2, 6, 8
	142A-2702-2200	230 VAC	J t/c	93 to 316°C	High limit	Manual Reset	3A Relay	Remote	Potted	LV E1JU 0093 0316 A	2, 6, 8
	142A-2702-2300	230 VAC	J t/c	200 to 600°F	High limit	Automatic Reset	3A Relay	Remote	Potted	LV E1HW 0200 0600 A	2, 6, 8
	142A-2702-2300	230 VAC	J t/c	93 to 316°C	High limit	Automatic Reset	3A Relay	Remote	Potted	LV E1JW 0093 0316 A	2, 6, 8
	142A-2702-2400	230 VAC	J t/c	200 to 600°F	On/Off	Heat	3A Relay	Remote	Potted	CV E1HH 0200 0600 A	2, 6, 8
	142A-2702-2400	230 VAC	J t/c	93 to 316°C	On/Off	Heat	3A Relay	Remote	Potted	CV E1JH 0093 0316 A	2, 6, 8
	142A-2705-1200	120 VAC	T t/c	-328 to 662°F	High limit	Manual Reset	3A Relay	Remote	Potted	LV C1MU -328 0662 A	2, 6, 8
	142A-2705-1200	120 VAC	T t/c	200 to 350°C	High limit	Manual Reset	3A Relay	Remote	Potted	LV C1NU 0200 0350 A	2, 6, 8
	142A-2705-1300	120 VAC	T t/c	-328 to 662°F	High limit	Automatic Reset	3A Relay	Remote	Potted	LV C1MW -328 0662 A	2, 6, 8
	142A-2705-1300	120 VAC	T t/c	200 to 350°C	High limit	Automatic Reset	3A Relay	Remote	Potted	LV C1NW 0200 0350 A	2, 6, 8
	142A-2705-1400	120 VAC	T t/c	-328 to 662°F	On/Off	Heat	3A Relay	Remote	Potted	CV C1MH -328 0662 A	2, 6, 8
	142A-2705-1400	120 VAC	T t/c	200 to 350°C	On/Off	Heat	3A Relay	Remote	Potted	CV C1NH 0200 0350 A	2, 6, 8
	142A-2705-2200	230 VAC	T t/c	-328 to 662°F	High limit	Manual Reset	3A Relay	Remote	Potted	LV E1MU -328 0662 A	2, 6, 8
	142A-2705-2200	230 VAC	T t/c	200 to 350°C	High limit	Manual Reset	3A Relay	Remote	Potted	LV E1NU 0200 0350 A	2, 6, 8
	142A-2705-2300	230 VAC	T t/c	-328 to 662°F	High limit	Automatic Reset	3A Relay	Remote	Potted	LV E1MW -328 0662 A	2, 6, 8
	142A-2705-2300	230 VAC	T t/c	200 to 350°C	High limit	Automatic Reset	3A Relay	Remote	Potted	LV E1NW 0200 0350 A	2, 6, 8
	142A-2705-2400	230 VAC	T t/c	-328 to 662°F	On/Off	Heat	3A Relay	Remote	Potted	CV E1MH -328 0662 A	2, 6, 8
	142A-2705-2400	230 VAC	T t/c	200 to 350°C	On/Off	Heat	3A Relay	Remote	Potted	CV E1NH 0200 0350 A	2, 6, 8
	142A-2706-1200	120 VAC	J t/c	32 to 600°F	High limit	Manual Reset	3A Relay	Remote	Potted	LV C1HU 0032 0600 A	2, 6, 8
	142A-2706-1200	120 VAC	J t/c	0 to 316°C	High limit	Manual Reset	3A Relay	Remote	Potted	LV C1JU 0000 0316 A	2, 6, 8
	142A-2706-1300	120 VAC	J t/c	32 to 600°F	High limit	Automatic Reset	3A Relay	Remote	Potted	LV C1HW 0032 0600 A	2, 6, 8
	142A-2706-1300	120 VAC	J t/c	0 to 316°C	High limit	Automatic Reset	3A Relay	Remote	Potted	LV C1JW 0000 0316 A	2, 6, 8
	142A-2706-1400	120 VAC	J t/c	32 to 600°F	On/Off	Heat	3A Relay	Remote	Potted	CV C1HH 0032 0600 A	2, 6, 8
	142A-2706-1400	120 VAC	J t/c	0 to 316°C	On/Off	Heat	3A Relay	Remote	Potted	CV C1JH 0000 0316 A	2, 6, 8
	142A-2706-2200	230 VAC	J t/c	32 to 600°F	High limit	Manual Reset	3A Relay	Remote	Potted	LV E1HU 0032 0600 A	2, 6, 8
	142A-2706-2200	230 VAC	J t/c	0 to 316°C	High limit	Manual Reset	3A Relay	Remote	Potted	LV E1JU 0000 0316 A	2, 6, 8
	142A-2706-2300	230 VAC	J t/c	32 to 600°F	High limit	Automatic Reset	3A Relay	Remote	Potted	LV E1HW 0032 0600 A	2, 6, 8
	142A-2706-2300	230 VAC	J t/c	0 to 316°C	High limit	Automatic Reset	3A Relay	Remote	Potted	LV E1JW 0000 0316 A	2, 6, 8
	142A-2706-2400	230 VAC	J t/c	32 to 600°F	On/Off	Heat	3A Relay	Remote	Potted	CV E1HH 0032 0600 A	2, 6, 8
	142A-2706-2400	230 VAC	J t/c	0 to 316°C	On/Off	Heat	3A Relay	Remote	Potted	CV E1JH 0000 0316 A	2, 6, 8
	142A-2720-1200	120 VAC	J t/c	32 to 302°F	High limit	Manual Reset	3A Relay	Remote	Potted	LV C1HU 0032 0302 A	2, 6, 8
	142A-2720-1200	120 VAC	J t/c	0 to 150°C	High limit	Manual Reset	3A Relay	Remote	Potted	LV C1JU 0000 0150 A	2, 6, 8
	142A-2720-1300	120 VAC	J t/c	32 to 302°F	High limit	Automatic Reset	3A Relay	Remote	Potted	LV C1HW 0032 0302 A	2, 6, 8
	142A-2720-1300	120 VAC	J t/c	0 to 150°C	High limit	Automatic Reset	3A Relay	Remote	Potted	LV C1JW 0000 0150 A	2, 6, 8
	142A-2720-1400	120 VAC	J t/c	32 to 302°F	On/Off	Heat	3A Relay	Remote	Potted	CV C1HH 0032 0302 A	2, 6, 8
	142A-2720-1400	120 VAC	J t/c	0 to 150°C	On/Off	Heat	3A Relay	Remote	Potted	CV C1JH 0000 0150 A	2, 6, 8
	142A-2720-2200	230 VAC	J t/c	32 to 302°F	High limit	Manual Reset	3A Relay	Remote	Potted	LV E1HU 0032 0302 A	2, 6, 8
	142A-2720-2200	230 VAC	J t/c	0 to 150°C	High limit	Manual Reset	3A Relay	Remote	Potted	LV E1JU 0000 0150 A	2, 6, 8
	142A-2720-2300	230 VAC	J t/c	32 to 302°F	High limit	Automatic Reset	3A Relay	Remote	Potted	LV E1HW 0032 0302 A	2, 6, 8
	142A-2720-2300	230 VAC	J t/c	0 to 150°C	High limit	Automatic Reset	3A Relay	Remote	Potted	LV E1JW 0000 0150 A	2, 6, 8

Series 142

<u>Series 142</u>	Line	Voltage	Input	Temp Range	Control Mode	Action	Output	Set Point	Mounting	Retrofit	See Notes Below
142A-2720-2400	230 VAC	J t/c	32 to 302°F	On/Off	Heat	3A Relay	Remote	Potted	CV E1HH 0032 0302 A		2, 6, 8
142A-2720-2400	230 VAC	J t/c	0 to 150°C	On/Off	Heat	3A Relay	Remote	Potted	CV E1JH 0000 0150 A		2, 6, 8
142A-2732-1200	120 VAC	E t/c	68 to 617°F	High limit	Manual Reset	3A Relay	Remote	Potted	LV C1SU 0068 0617 A		2, 6, 8
142A-2732-1200	120 VAC	E t/c	20 to 325°C	High limit	Manual Reset	3A Relay	Remote	Potted	LV C1TU 0020 0325 A		2, 6, 8
142A-2732-1300	120 VAC	E t/c	68 to 617°F	High limit	Automatic Reset	3A Relay	Remote	Potted	LV C1SW 0068 0617 A		2, 6, 8
142A-2732-1300	120 VAC	E t/c	20 to 325°C	High limit	Automatic Reset	3A Relay	Remote	Potted	LV C1TW 0020 0325 A		2, 6, 8
142A-2732-1400	120 VAC	E t/c	68 to 617°F	On/Off	Heat	3A Relay	Remote	Potted	CV C1SH 0068 0617 A		2, 6, 8
142A-2732-1400	120 VAC	E t/c	20 to 325°C	On/Off	Heat	3A Relay	Remote	Potted	CV C1TH 0020 0325 A		2, 6, 8
142A-2732-2200	230 VAC	E t/c	68 to 617°F	High limit	Manual Reset	3A Relay	Remote	Potted	LV E1SU 0068 0617 A		2, 6, 8
142A-2732-2200	230 VAC	E t/c	20 to 325°C	High limit	Manual Reset	3A Relay	Remote	Potted	LV E1TU 0020 0325 A		2, 6, 8
142A-2732-2300	230 VAC	E t/c	68 to 617°F	High limit	Automatic Reset	3A Relay	Remote	Potted	LV E1SW 0068 0617 A		2, 6, 8
142A-2732-2300	230 VAC	E t/c	20 to 325°C	High limit	Automatic Reset	3A Relay	Remote	Potted	LV E1TW 0020 0325 A		2, 6, 8
142A-2732-2400	230 VAC	E t/c	68 to 617°F	On/Off	Heat	3A Relay	Remote	Potted	CV E1SH 0068 0617 A		2, 6, 8
142A-2732-2400	230 VAC	E t/c	20 to 325°C	On/Off	Heat	3A Relay	Remote	Potted	CV E1TH 0020 0325 A		2, 6, 8
142A-2733-1200	120 VAC	K t/c	-200 to 1000°F	High limit	Manual Reset	3A Relay	Remote	Potted	LV C1KU -200 1000 A		2, 6, 8
142A-2733-1200	120 VAC	K t/c	-129 to 538°C	High limit	Manual Reset	3A Relay	Remote	Potted	LV C1LU -129 0538 A		2, 6, 8
142A-2733-1300	120 VAC	K t/c	-200 to 1000°F	High limit	Automatic Reset	3A Relay	Remote	Potted	LV C1KW -200 1000 A		2, 6, 8
142A-2733-1300	120 VAC	K t/c	-129 to 538°C	High limit	Automatic Reset	3A Relay	Remote	Potted	LV C1LW -129 0538 A		2, 6, 8
142A-2733-1400	120 VAC	K t/c	-200 to 1000°F	On/Off	Heat	3A Relay	Remote	Potted	CV C1KH -200 1000 A		2, 6, 8
142A-2733-1400	120 VAC	K t/c	-129 to 538°C	On/Off	Heat	3A Relay	Remote	Potted	CV C1LH -129 0538 A		2, 6, 8
142A-2733-2200	230 VAC	K t/c	-200 to 1000°F	High limit	Manual Reset	3A Relay	Remote	Potted	LV E1KU -200 1000 A		2, 6, 8
142A-2733-2200	230 VAC	K t/c	-129 to 538°C	High limit	Manual Reset	3A Relay	Remote	Potted	LV E1LU -129 0538 A		2, 6, 8
142A-2733-2300	230 VAC	K t/c	-200 to 1000°F	High limit	Automatic Reset	3A Relay	Remote	Potted	LV E1KW -200 1000 A		2, 6, 8
142A-2733-2300	230 VAC	K t/c	-129 to 538°C	High limit	Automatic Reset	3A Relay	Remote	Potted	LV E1LW -129 0538 A		2, 6, 8
142A-2733-2400	230 VAC	K t/c	-200 to 1000°F	On/Off	Heat	3A Relay	Remote	Potted	CV E1KH -200 1000 A		2, 6, 8
142A-2733-2400	230 VAC	K t/c	-129 to 538°C	On/Off	Heat	3A Relay	Remote	Potted	CV E1LH -129 0538 A		2, 6, 8
142A-2736-1200	120 VAC	J t/c	0 to 450°F	High limit	Manual Reset	3A Relay	Remote	Potted	LV C1HU 0000 0450 A		2, 6, 8
142A-2736-1200	120 VAC	J t/c	-18 to 450°C	High limit	Manual Reset	3A Relay	Remote	Potted	LV C1JU 0-18 0450 A		2, 6, 8
142A-2736-1300	120 VAC	J t/c	0 to 450°F	High limit	Automatic Reset	3A Relay	Remote	Potted	LV C1HW 0000 0450 A		2, 6, 8
142A-2736-1300	120 VAC	J t/c	-18 to 450°C	High limit	Automatic Reset	3A Relay	Remote	Potted	LV C1JW 0-18 0450 A		2, 6, 8
142A-2736-1400	120 VAC	J t/c	0 to 450°F	On/Off	Heat	3A Relay	Remote	Potted	CV C1HH 0000 0450 A		2, 6, 8
142A-2736-1400	120 VAC	J t/c	-18 to 450°C	On/Off	Heat	3A Relay	Remote	Potted	CV C1JH 0-18 0450 A		2, 6, 8
142A-2736-2200	230 VAC	J t/c	0 to 450°F	High limit	Manual Reset	3A Relay	Remote	Potted	LV E1HU 0000 0450 A		2, 6, 8
142A-2736-2200	230 VAC	J t/c	-18 to 450°C	High limit	Manual Reset	3A Relay	Remote	Potted	LV E1JU 0-18 0450 A		2, 6, 8
142A-2736-2300	230 VAC	J t/c	0 to 450°F	High limit	Automatic Reset	3A Relay	Remote	Potted	LV E1HW 0000 0450 A		2, 6, 8
142A-2736-2300	230 VAC	J t/c	-18 to 450°C	High limit	Automatic Reset	3A Relay	Remote	Potted	LV E1JW 0-18 0450 A		2, 6, 8
142A-2736-2400	230 VAC	J t/c	0 to 450°F	On/Off	Heat	3A Relay	Remote	Potted	CV E1HH 0000 0450 A		6, 8
142A-2736-2400	230 VAC	J t/c	-18 to 450°C	On/Off	Heat	3A Relay	Remote	Potted	CV E1JH 0-18 0450 A		6, 8
142A-3600-1300	120 VAC	J t/c	250°F	High limit	Automatic Reset	3A Relay	Fixed	Potted	LF C4HW 0250 AAAA A		6, 8
142A-3601-1200	120 VAC	J t/c	225°F	High limit	Manual Reset	3A Relay	Fixed	Potted	LF C4HU 0225 AAAA A		6, 8
142A-3601-1200	120 VAC	J t/c	107°C	High limit	Manual Reset	3A Relay	Fixed	Potted	LF C4JU 0107 AAAA A		6, 8

Series 142

<u>Series 142</u>	Line										See Notes
	Voltage	Input	Temp Range	Control Mode	Action	Output	Set Point	Mounting	Retrofit		Below
142A-3601-1300	120 VAC	J t/c	225°F	High limit	Automatic Reset	3A Relay	Fixed	Potted	LF C4HW 0225 AAAA A		6, 8
142A-3601-1300	120 VAC	J t/c	107°C	High limit	Automatic Reset	3A Relay	Fixed	Potted	LF C4JW 0107 AAAA A		6, 8
142A-3601-1400	120 VAC	J t/c	225°F	On/Off	Heat	3A Relay	Fixed	Potted	CF C4HH 0225 AAAA A		6, 8
142A-3601-1400	120 VAC	J t/c	107°C	On/Off	Heat	3A Relay	Fixed	Potted	CF C4JH 0107 AAAA A		6, 8
142A-3601-2200	230 VAC	J t/c	225°F	High limit	Manual Reset	3A Relay	Fixed	Potted	LF E4HU 0225 AAAA A		6, 8
142A-3601-2200	230 VAC	J t/c	107°C	High limit	Manual Reset	3A Relay	Fixed	Potted	LF E4JU 0107 AAAA A		6, 8
142A-3601-2300	230 VAC	J t/c	225°F	High limit	Automatic Reset	3A Relay	Fixed	Potted	LF E4HW 0225 AAAA A		6, 8
142A-3601-2300	230 VAC	J t/c	107°C	High limit	Automatic Reset	3A Relay	Fixed	Potted	LF E4JW 0107 AAAA A		6, 8
142A-3601-2400	230 VAC	J t/c	225°F	On/Off	Heat	3A Relay	Fixed	Potted	CF E4HH 0225 AAAA A		6, 8
142A-3601-2400	230 VAC	J t/c	107°C	On/Off	Heat	3A Relay	Fixed	Potted	CF E4JH 0107 AAAA A		6, 8
142A-3602-1200	120 VAC	J t/c	250°F	High limit	Manual Reset	3A Relay	Fixed	Potted	LF C4HU 0250 AAAA A		6, 8
142A-3602-1200	120 VAC	J t/c	121°C	High limit	Manual Reset	3A Relay	Fixed	Potted	LF C4JU 0121 AAAA A		6, 8
142A-3602-1300	120 VAC	J t/c	250°F	High limit	Automatic Reset	3A Relay	Fixed	Potted	LF C4HW 0250 AAAA A		6, 8
142A-3602-1300	120 VAC	J t/c	121°C	High limit	Automatic Reset	3A Relay	Fixed	Potted	LF C4JW 0121 AAAA A		6, 8
142A-3602-1400	120 VAC	J t/c	250°F	On/Off	Heat	3A Relay	Fixed	Potted	CF C4HH 0250 AAAA A		6, 8
142A-3602-1400	120 VAC	J t/c	121°C	On/Off	Heat	3A Relay	Fixed	Potted	CF C4JH 0121 AAAA A		6, 8
142A-3602-2200	230 VAC	J t/c	250°F	High limit	Manual Reset	3A Relay	Fixed	Potted	LF E4HU 0250 AAAA A		6, 8
142A-3602-2200	230 VAC	J t/c	121°C	High limit	Manual Reset	3A Relay	Fixed	Potted	LF E4JU 0121 AAAA A		6, 8
142A-3602-2300	230 VAC	J t/c	250°F	High limit	Automatic Reset	3A Relay	Fixed	Potted	LF E4HW 0250 AAAA A		6, 8
142A-3602-2300	230 VAC	J t/c	121°C	High limit	Automatic Reset	3A Relay	Fixed	Potted	LF E4JW 0121 AAAA A		6, 8
142A-3602-2400	230 VAC	J t/c	250°F	On/Off	Heat	3A Relay	Fixed	Potted	CF E4HH 0250 AAAA A		6, 8
142A-3602-2400	230 VAC	J t/c	121°C	On/Off	Heat	3A Relay	Fixed	Potted	CF E4JH 0121 AAAA A		6, 8
142A-3603-1200	120 VAC	J t/c	275°F	High limit	Manual Reset	3A Relay	Fixed	Potted	LF C4HU 0275 AAAA A		6, 8
142A-3603-1200	120 VAC	J t/c	135°C	High limit	Manual Reset	3A Relay	Fixed	Potted	LF C4JU 0135 AAAA A		6, 8
142A-3603-1300	120 VAC	J t/c	275°F	High limit	Automatic Reset	3A Relay	Fixed	Potted	LF C4HW 0275 AAAA A		6, 8
142A-3603-1300	120 VAC	J t/c	135°C	High limit	Automatic Reset	3A Relay	Fixed	Potted	LF C4JW 0135 AAAA A		6, 8
142A-3603-1400	120 VAC	J t/c	275°F	On/Off	Heat	3A Relay	Fixed	Potted	CF C4HH 0275 AAAA A		6, 8
142A-3603-1400	120 VAC	J t/c	135°C	On/Off	Heat	3A Relay	Fixed	Potted	CF C4JH 0135 AAAA A		6, 8
142A-3603-2200	230 VAC	J t/c	275°F	High limit	Manual Reset	3A Relay	Fixed	Potted	LF E4HU 0275 AAAA A		6, 8
142A-3603-2200	230 VAC	J t/c	135°C	High limit	Manual Reset	3A Relay	Fixed	Potted	LF E4JU 0135 AAAA A		6, 8
142A-3603-2300	230 VAC	J t/c	275°F	High limit	Automatic Reset	3A Relay	Fixed	Potted	LF E4HW 0275 AAAA A		6, 8
142A-3603-2300	230 VAC	J t/c	135°C	High limit	Automatic Reset	3A Relay	Fixed	Potted	LF E4JW 0135 AAAA A		6, 8
142A-3603-2400	230 VAC	J t/c	275°F	On/Off	Heat	3A Relay	Fixed	Potted	CF E4HH 0275 AAAA A		6, 8
142A-3603-2400	230 VAC	J t/c	135°C	On/Off	Heat	3A Relay	Fixed	Potted	CF E4JH 0135 AAAA A		6, 8
142A-3604-1200	120 VAC	J t/c	300°F	High limit	Manual Reset	3A Relay	Fixed	Potted	LF C4HU 0300 AAAA A		6, 8
142A-3604-1200	120 VAC	J t/c	149°C	High limit	Manual Reset	3A Relay	Fixed	Potted	LF C4JU 0149 AAAA A		6, 8
142A-3604-1300	120 VAC	J t/c	300°F	High limit	Automatic Reset	3A Relay	Fixed	Potted	LF C4HW 0300 AAAA A		6, 8
142A-3604-1300	120 VAC	J t/c	149°C	High limit	Automatic Reset	3A Relay	Fixed	Potted	LF C4JW 0149 AAAA A		6, 8
142A-3604-1400	120 VAC	J t/c	300°F	On/Off	Heat	3A Relay	Fixed	Potted	CF C4HH 0300 AAAA A		6, 8
142A-3604-1400	120 VAC	J t/c	149°C	On/Off	Heat	3A Relay	Fixed	Potted	CF C4JH 0149 AAAA A		6, 8
142A-3604-2200	230 VAC	J t/c	300°F	High limit	Manual Reset	3A Relay	Fixed	Potted	LF E4HU 0300 AAAA A		6, 8

Series 142

<u>Series 142</u>	Line										See Notes
	Voltage	Input	Temp Range	Control Mode	Action	Output	Set Point	Mounting	Retrofit		Below
142A-3604-2200	230 VAC	J t/c	149°C	High limit	Manual Reset	3A Relay	Fixed	Potted	LF E4JU 0149 AAAA A		6, 8
142A-3604-2300	230 VAC	J t/c	300°F	High limit	Automatic Reset	3A Relay	Fixed	Potted	LF E4HW 0300 AAAA A		6, 8
142A-3604-2300	230 VAC	J t/c	149°C	High limit	Automatic Reset	3A Relay	Fixed	Potted	LF E4JW 0149 AAAA A		6, 8
142A-3604-2400	230 VAC	J t/c	300°F	On/Off	Heat	3A Relay	Fixed	Potted	CF E4HH 0300 AAAA A		6, 8
142A-3604-2400	230 VAC	J t/c	149°C	On/Off	Heat	3A Relay	Fixed	Potted	CF E4JH 0149 AAAA A		6, 8
142A-3605-1200	120 VAC	J t/c	325°F	High limit	Manual Reset	3A Relay	Fixed	Potted	LF C4HU 0325 AAAA A		6, 8
142A-3605-1200	120 VAC	J t/c	163°C	High limit	Manual Reset	3A Relay	Fixed	Potted	LF C4JU 0163 AAAA A		6, 8
142A-3605-1300	120 VAC	J t/c	325°F	High limit	Automatic Reset	3A Relay	Fixed	Potted	LF C4HW 0325 AAAA A		6, 8
142A-3605-1300	120 VAC	J t/c	163°C	High limit	Automatic Reset	3A Relay	Fixed	Potted	LF C4JW 0163 AAAA A		6, 8
142A-3605-1400	120 VAC	J t/c	325°F	On/Off	Heat	3A Relay	Fixed	Potted	CF C4HH 0325 AAAA A		6, 8
142A-3605-1400	120 VAC	J t/c	163°C	On/Off	Heat	3A Relay	Fixed	Potted	CF C4JH 0163 AAAA A		6, 8
142A-3605-2200	230 VAC	J t/c	325°F	High limit	Manual Reset	3A Relay	Fixed	Potted	LF E4HU 0325 AAAA A		6, 8
142A-3605-2200	230 VAC	J t/c	163°C	High limit	Manual Reset	3A Relay	Fixed	Potted	LF E4JU 0163 AAAA A		6, 8
142A-3605-2300	230 VAC	J t/c	325°F	High limit	Automatic Reset	3A Relay	Fixed	Potted	LF E4HW 0325 AAAA A		6, 8
142A-3605-2300	230 VAC	J t/c	163°C	High limit	Automatic Reset	3A Relay	Fixed	Potted	LF E4JW 0163 AAAA A		6, 8
142A-3605-2400	230 VAC	J t/c	325°F	On/Off	Heat	3A Relay	Fixed	Potted	CF E4HH 0325 AAAA A		6, 8
142A-3605-2400	230 VAC	J t/c	163°C	On/Off	Heat	3A Relay	Fixed	Potted	CF E4JH 0163 AAAA A		6, 8
142A-3606-1200	120 VAC	J t/c	350°F	High limit	Manual Reset	3A Relay	Fixed	Potted	LF C4HU 0350 AAAA A		6, 8
142A-3606-1200	120 VAC	J t/c	177°C	High limit	Manual Reset	3A Relay	Fixed	Potted	LF C4JU 0177 AAAA A		6, 8
142A-3606-1300	120 VAC	J t/c	350°F	High limit	Automatic Reset	3A Relay	Fixed	Potted	LF C4HW 0350 AAAA A		6, 8
142A-3606-1300	120 VAC	J t/c	177°C	High limit	Automatic Reset	3A Relay	Fixed	Potted	LF C4JW 0177 AAAA A		6, 8
142A-3606-1400	120 VAC	J t/c	350°F	On/Off	Heat	3A Relay	Fixed	Potted	CF C4HH 0350 AAAA A		6, 8
142A-3606-1400	120 VAC	J t/c	177°C	On/Off	Heat	3A Relay	Fixed	Potted	CF C4JH 0177 AAAA A		6, 8
142A-3606-2200	230 VAC	J t/c	350°F	High limit	Manual Reset	3A Relay	Fixed	Potted	LF E4HU 0350 AAAA A		6, 8
142A-3606-2200	230 VAC	J t/c	177°C	High limit	Manual Reset	3A Relay	Fixed	Potted	LF E4JU 0177 AAAA A		6, 8
142A-3606-2300	230 VAC	J t/c	350°F	High limit	Automatic Reset	3A Relay	Fixed	Potted	LF E4HW 0350 AAAA A		6, 8
142A-3606-2300	230 VAC	J t/c	177°C	High limit	Automatic Reset	3A Relay	Fixed	Potted	LF E4JW 0177 AAAA A		6, 8
142A-3606-2400	230 VAC	J t/c	350°F	On/Off	Heat	3A Relay	Fixed	Potted	CF E4HH 0350 AAAA A		6, 8
142A-3606-2400	230 VAC	J t/c	177°C	On/Off	Heat	3A Relay	Fixed	Potted	CF E4JH 0177 AAAA A		6, 8
142A-3607-1200	120 VAC	J t/c	375°F	High limit	Manual Reset	3A Relay	Fixed	Potted	LF C4HU 0375 AAAA A		6, 8
142A-3607-1200	120 VAC	J t/c	191°C	High limit	Manual Reset	3A Relay	Fixed	Potted	LF C4JU 0191 AAAA A		6, 8
142A-3607-1300	120 VAC	J t/c	375°F	High limit	Automatic Reset	3A Relay	Fixed	Potted	LF C4HW 0375 AAAA A		6, 8
142A-3607-1300	120 VAC	J t/c	191°C	High limit	Automatic Reset	3A Relay	Fixed	Potted	LF C4JW 0191 AAAA A		6, 8
142A-3607-1400	120 VAC	J t/c	375°F	On/Off	Heat	3A Relay	Fixed	Potted	CF C4HH 0375 AAAA A		6, 8
142A-3607-1400	120 VAC	J t/c	191°C	On/Off	Heat	3A Relay	Fixed	Potted	CF C4JH 0191 AAAA A		6, 8
142A-3607-2200	230 VAC	J t/c	375°F	High limit	Manual Reset	3A Relay	Fixed	Potted	LF E4HU 0375 AAAA A		6, 8
142A-3607-2200	230 VAC	J t/c	191°C	High limit	Manual Reset	3A Relay	Fixed	Potted	LF E4JU 0191 AAAA A		6, 8
142A-3607-2300	230 VAC	J t/c	375°F	High limit	Automatic Reset	3A Relay	Fixed	Potted	LF E4HW 0375 AAAA A		6, 8
142A-3607-2300	230 VAC	J t/c	191°C	High limit	Automatic Reset	3A Relay	Fixed	Potted	LF E4JW 0191 AAAA A		6, 8
142A-3607-2400	230 VAC	J t/c	375°F	On/Off	Heat	3A Relay	Fixed	Potted	CF E4HH 0375 AAAA A		6, 8
142A-3607-2400	230 VAC	J t/c	191°C	On/Off	Heat	3A Relay	Fixed	Potted	CF E4JH 0191 AAAA A		6, 8

Series 142

<u>Series 142</u>	Line										See Notes
	Voltage	Input	Temp Range	Control Mode	Action	Output	Set Point	Mounting	Retrofit		Below
142A-3608-1200	120 VAC	J t/c	400°F	High limit	Manual Reset	3A Relay	Fixed	Potted	LF C4HU 0400 AAAA A		6, 8
142A-3608-1200	120 VAC	J t/c	204°C	High limit	Manual Reset	3A Relay	Fixed	Potted	LF C4JU 0204 AAAA A		6, 8
142A-3608-1300	120 VAC	J t/c	400°F	High limit	Automatic Reset	3A Relay	Fixed	Potted	LF C4HW 0400 AAAA A		6, 8
142A-3608-1300	120 VAC	J t/c	204°C	High limit	Automatic Reset	3A Relay	Fixed	Potted	LF C4JW 0204 AAAA A		6, 8
142A-3608-1400	120 VAC	J t/c	400°F	On/Off	Heat	3A Relay	Fixed	Potted	CF C4HH 0400 AAAA A		6, 8
142A-3608-1400	120 VAC	J t/c	204°C	On/Off	Heat	3A Relay	Fixed	Potted	CF C4JH 0204 AAAA A		6, 8
142A-3608-2200	230 VAC	J t/c	400°F	High limit	Manual Reset	3A Relay	Fixed	Potted	LF E4HU 0400 AAAA A		6, 8
142A-3608-2200	230 VAC	J t/c	204°C	High limit	Manual Reset	3A Relay	Fixed	Potted	LF E4JU 0204 AAAA A		6, 8
142A-3608-2300	230 VAC	J t/c	400°F	High limit	Automatic Reset	3A Relay	Fixed	Potted	LF E4HW 0400 AAAA A		6, 8
142A-3608-2300	230 VAC	J t/c	204°C	High limit	Automatic Reset	3A Relay	Fixed	Potted	LF E4JW 0204 AAAA A		6, 8
142A-3608-2400	230 VAC	J t/c	400°F	On/Off	Heat	3A Relay	Fixed	Potted	CF E4HH 0400 AAAA A		6, 8
142A-3608-2400	230 VAC	J t/c	204°C	On/Off	Heat	3A Relay	Fixed	Potted	CF E4JH 0204 AAAA A		6, 8
142A-3609-1200	120 VAC	J t/c	155°F	High limit	Manual Reset	3A Relay	Fixed	Potted	LF C4HU 0155 AAAA A		6, 8
142A-3609-1200	120 VAC	J t/c	68°C	High limit	Manual Reset	3A Relay	Fixed	Potted	LF C4JU 0068 AAAA A		6, 8
142A-3609-1300	120 VAC	J t/c	155°F	High limit	Automatic Reset	3A Relay	Fixed	Potted	LF C4HW 0155 AAAA A		6, 8
142A-3609-1300	120 VAC	J t/c	68°C	High limit	Automatic Reset	3A Relay	Fixed	Potted	LF C4JW 0068 AAAA A		6, 8
142A-3609-1400	120 VAC	J t/c	155°F	On/Off	Heat	3A Relay	Fixed	Potted	CF C4HH 0155 AAAA A		6, 8
142A-3609-1400	120 VAC	J t/c	68°C	On/Off	Heat	3A Relay	Fixed	Potted	CF C4JH 0068 AAAA A		6, 8
142A-3609-2200	230 VAC	J t/c	155°F	High limit	Manual Reset	3A Relay	Fixed	Potted	LF E4HU 0155 AAAA A		6, 8
142A-3609-2200	230 VAC	J t/c	68°C	High limit	Manual Reset	3A Relay	Fixed	Potted	LF E4JU 0068 AAAA A		6, 8
142A-3609-2300	230 VAC	J t/c	155°F	High limit	Automatic Reset	3A Relay	Fixed	Potted	LF E4HW 0155 AAAA A		6, 8
142A-3609-2300	230 VAC	J t/c	68°C	High limit	Automatic Reset	3A Relay	Fixed	Potted	LF E4JW 0068 AAAA A		6, 8
142A-3609-2400	230 VAC	J t/c	155°F	On/Off	Heat	3A Relay	Fixed	Potted	CF E4HH 0155 AAAA A		6, 8
142A-3609-2400	230 VAC	J t/c	68°C	On/Off	Heat	3A Relay	Fixed	Potted	CF E4JH 0068 AAAA A		6, 8
142A-3610-1200	120 VAC	J t/c	135°F	High limit	Manual Reset	3A Relay	Fixed	Potted	LF C4HU 0135 AAAA A		6, 8
142A-3610-1200	120 VAC	J t/c	57°C	High limit	Manual Reset	3A Relay	Fixed	Potted	LF C4JU 0057 AAAA A		6, 8
142A-3610-1300	120 VAC	J t/c	135°F	High limit	Automatic Reset	3A Relay	Fixed	Potted	LF C4HW 0135 AAAA A		6, 8
142A-3610-1300	120 VAC	J t/c	57°C	High limit	Automatic Reset	3A Relay	Fixed	Potted	LF C4JW 0057 AAAA A		6, 8
142A-3610-1400	120 VAC	J t/c	135°F	On/Off	Heat	3A Relay	Fixed	Potted	CF C4HH 0135 AAAA A		6, 8
142A-3610-1400	120 VAC	J t/c	57°C	On/Off	Heat	3A Relay	Fixed	Potted	CF C4JH 0057 AAAA A		6, 8
142A-3610-2200	230 VAC	J t/c	135°F	High limit	Manual Reset	3A Relay	Fixed	Potted	LF E4HU 0135 AAAA A		6, 8
142A-3610-2200	230 VAC	J t/c	57°C	High limit	Manual Reset	3A Relay	Fixed	Potted	LF E4JU 0057 AAAA A		6, 8
142A-3610-2300	230 VAC	J t/c	135°F	High limit	Automatic Reset	3A Relay	Fixed	Potted	LF E4HW 0135 AAAA A		6, 8
142A-3610-2300	230 VAC	J t/c	57°C	High limit	Automatic Reset	3A Relay	Fixed	Potted	LF E4JW 0057 AAAA A		6, 8
142A-3610-2400	230 VAC	J t/c	135°F	On/Off	Heat	3A Relay	Fixed	Potted	CF E4HH 0135 AAAA A		6, 8
142A-3610-2400	230 VAC	J t/c	57°C	On/Off	Heat	3A Relay	Fixed	Potted	CF E4JH 0057 AAAA A		6, 8
142A-3611-1200	120 VAC	J t/c	240°F	High limit	Manual Reset	3A Relay	Fixed	Potted	LF C4HU 0240 AAAA A		6, 8
142A-3611-1200	120 VAC	J t/c	116°C	High limit	Manual Reset	3A Relay	Fixed	Potted	LF C4JU 0116 AAAA A		6, 8
142A-3611-1300	120 VAC	J t/c	240°F	High limit	Automatic Reset	3A Relay	Fixed	Potted	LF C4HW 0240 AAAA A		6, 8
142A-3611-1300	120 VAC	J t/c	116°C	High limit	Automatic Reset	3A Relay	Fixed	Potted	LF C4JW 0116 AAAA A		6, 8
142A-3611-1400	120 VAC	J t/c	240°F	On/Off	Heat	3A Relay	Fixed	Potted	CF C4HH 0240 AAAA A		6, 8

Series 142

<u>Series 142</u>	Line									See Notes
	Voltage	Input	Temp Range	Control Mode	Action	Output	Set Point	Mounting	Retrofit	Below
142A-3611-1400	120 VAC	J t/c	116°C	On/Off	Heat	3A Relay	Fixed	Potted	CF C4JH 0116 AAAA A	6, 8
142A-3611-2200	230 VAC	J t/c	240°F	High limit	Manual Reset	3A Relay	Fixed	Potted	LF E4HU 0240 AAAA A	6, 8
142A-3611-2200	230 VAC	J t/c	116°C	High limit	Manual Reset	3A Relay	Fixed	Potted	LF E4JU 0116 AAAA A	6, 8
142A-3611-2300	230 VAC	J t/c	240°F	High limit	Automatic Reset	3A Relay	Fixed	Potted	LF E4HW 0240 AAAA A	6, 8
142A-3611-2300	230 VAC	J t/c	116°C	High limit	Automatic Reset	3A Relay	Fixed	Potted	LF E4JW 0116 AAAA A	6, 8
142A-3611-2400	230 VAC	J t/c	240°F	On/Off	Heat	3A Relay	Fixed	Potted	CF E4HH 0240 AAAA A	6, 8
142A-3611-2400	230 VAC	J t/c	116°C	On/Off	Heat	3A Relay	Fixed	Potted	CF E4JH 0116 AAAA A	6, 8
142A-3612-1200	120 VAC	J t/c	475°F	High limit	Manual Reset	3A Relay	Fixed	Potted	LF C4HU 0475 AAAA A	6, 8
142A-3612-1200	120 VAC	J t/c	246°C	High limit	Manual Reset	3A Relay	Fixed	Potted	LF C4JU 0246 AAAA A	6, 8
142A-3612-1300	120 VAC	J t/c	475°F	High limit	Automatic Reset	3A Relay	Fixed	Potted	LF C4HW 0475 AAAA A	6, 8
142A-3612-1300	120 VAC	J t/c	246°C	High limit	Automatic Reset	3A Relay	Fixed	Potted	LF C4JW 0246 AAAA A	6, 8
142A-3612-1400	120 VAC	J t/c	475°F	On/Off	Heat	3A Relay	Fixed	Potted	CF C4HH 0475 AAAA A	6, 8
142A-3612-1400	120 VAC	J t/c	246°C	On/Off	Heat	3A Relay	Fixed	Potted	CF C4JH 0246 AAAA A	6, 8
142A-3612-2200	230 VAC	J t/c	475°F	High limit	Manual Reset	3A Relay	Fixed	Potted	LF E4HU 0475 AAAA A	6, 8
142A-3612-2200	230 VAC	J t/c	246°C	High limit	Manual Reset	3A Relay	Fixed	Potted	LF E4JU 0246 AAAA A	6, 8
142A-3612-2300	230 VAC	J t/c	475°F	High limit	Automatic Reset	3A Relay	Fixed	Potted	LF E4HW 0475 AAAA A	6, 8
142A-3612-2300	230 VAC	J t/c	246°C	High limit	Automatic Reset	3A Relay	Fixed	Potted	LF E4JW 0246 AAAA A	6, 8
142A-3612-2400	230 VAC	J t/c	475°F	On/Off	Heat	3A Relay	Fixed	Potted	CF E4HH 0475 AAAA A	6, 8
142A-3612-2400	230 VAC	J t/c	246°C	On/Off	Heat	3A Relay	Fixed	Potted	CF E4JH 0246 AAAA A	6, 8
142A-3613-1200	120 VAC	J t/c	500°F	High limit	Manual Reset	3A Relay	Fixed	Potted	LF C4HU 0500 AAAA A	6, 8
142A-3613-1200	120 VAC	J t/c	260°C	High limit	Manual Reset	3A Relay	Fixed	Potted	LF C4JU 0260 AAAA A	6, 8
142A-3613-1300	120 VAC	J t/c	500°F	High limit	Automatic Reset	3A Relay	Fixed	Potted	LF C4HW 0500 AAAA A	6, 8
142A-3613-1300	120 VAC	J t/c	260°C	High limit	Automatic Reset	3A Relay	Fixed	Potted	LF C4JW 0260 AAAA A	6, 8
142A-3613-1400	120 VAC	J t/c	500°F	On/Off	Heat	3A Relay	Fixed	Potted	CF C4HH 0500 AAAA A	6, 8
142A-3613-1400	120 VAC	J t/c	260°C	On/Off	Heat	3A Relay	Fixed	Potted	CF C4JH 0260 AAAA A	6, 8
142A-3613-2200	230 VAC	J t/c	500°F	High limit	Manual Reset	3A Relay	Fixed	Potted	LF E4HU 0500 AAAA A	6, 8
142A-3613-2200	230 VAC	J t/c	260°C	High limit	Manual Reset	3A Relay	Fixed	Potted	LF E4JU 0260 AAAA A	6, 8
142A-3613-2300	230 VAC	J t/c	500°F	High limit	Automatic Reset	3A Relay	Fixed	Potted	LF E4HW 0500 AAAA A	6, 8
142A-3613-2300	230 VAC	J t/c	260°C	High limit	Automatic Reset	3A Relay	Fixed	Potted	LF E4JW 0260 AAAA A	6, 8
142A-3613-2400	230 VAC	J t/c	500°F	On/Off	Heat	3A Relay	Fixed	Potted	CF E4HH 0500 AAAA A	6, 8
142A-3613-2400	230 VAC	J t/c	260°C	On/Off	Heat	3A Relay	Fixed	Potted	CF E4JH 0260 AAAA A	6, 8
142A-3614-1200	120 VAC	J t/c	525°F	High limit	Manual Reset	3A Relay	Fixed	Potted	LF C4HU 0525 AAAA A	6, 8
142A-3614-1200	120 VAC	J t/c	274°C	High limit	Manual Reset	3A Relay	Fixed	Potted	LF C4JU 0274 AAAA A	6, 8
142A-3614-1300	120 VAC	J t/c	525°F	High limit	Automatic Reset	3A Relay	Fixed	Potted	LF C4HW 0525 AAAA A	6, 8
142A-3614-1300	120 VAC	J t/c	274°C	High limit	Automatic Reset	3A Relay	Fixed	Potted	LF C4JW 0274 AAAA A	6, 8
142A-3614-1400	120 VAC	J t/c	525°F	On/Off	Heat	3A Relay	Fixed	Potted	CF C4HH 0525 AAAA A	6, 8
142A-3614-1400	120 VAC	J t/c	274°C	On/Off	Heat	3A Relay	Fixed	Potted	CF C4JH 0274 AAAA A	6, 8
142A-3614-2200	230 VAC	J t/c	525°F	High limit	Manual Reset	3A Relay	Fixed	Potted	LF E4HU 0525 AAAA A	6, 8
142A-3614-2200	230 VAC	J t/c	274°C	High limit	Manual Reset	3A Relay	Fixed	Potted	LF E4JU 0274 AAAA A	6, 8
142A-3614-2300	230 VAC	J t/c	525°F	High limit	Automatic Reset	3A Relay	Fixed	Potted	LF E4HW 0525 AAAA A	6, 8
142A-3614-2300	230 VAC	J t/c	274°C	High limit	Automatic Reset	3A Relay	Fixed	Potted	LF E4JW 0274 AAAA A	6, 8

Series 142

<u>Series 142</u>	Line Voltage	Input	Temp Range	Control Mode	Action	Output	Set Point	Mounting	Retrofit	See Notes Below
142A-3614-2400	230 VAC	J t/c	525°F	On/Off	Heat	3A Relay	Fixed	Potted	CF E4HH 0525 AAAA A	6, 8
142A-3614-2400	230 VAC	J t/c	274°C	On/Off	Heat	3A Relay	Fixed	Potted	CF E4JH 0274 AAAA A	6, 8
142A-3615-1200	120 VAC	J t/c	550°F	High limit	Manual Reset	3A Relay	Fixed	Potted	LF C4HU 0550 AAAA A	6, 8
142A-3615-1200	120 VAC	J t/c	288°C	High limit	Manual Reset	3A Relay	Fixed	Potted	LF C4JU 0288 AAAA A	6, 8
142A-3615-1300	120 VAC	J t/c	550°F	High limit	Automatic Reset	3A Relay	Fixed	Potted	LF C4HW 0550 AAAA A	6, 8
142A-3615-1300	120 VAC	J t/c	288°C	High limit	Automatic Reset	3A Relay	Fixed	Potted	LF C4JW 0288 AAAA A	6, 8
142A-3615-1400	120 VAC	J t/c	550°F	On/Off	Heat	3A Relay	Fixed	Potted	CF C4HH 0550 AAAA A	6, 8
142A-3615-1400	120 VAC	J t/c	288°C	On/Off	Heat	3A Relay	Fixed	Potted	CF C4JH 0288 AAAA A	6, 8
142A-3615-2200	230 VAC	J t/c	550°F	High limit	Manual Reset	3A Relay	Fixed	Potted	LF E4HU 0550 AAAA A	6, 8
142A-3615-2200	230 VAC	J t/c	288°C	High limit	Manual Reset	3A Relay	Fixed	Potted	LF E4JU 0288 AAAA A	6, 8
142A-3615-2300	230 VAC	J t/c	550°F	High limit	Automatic Reset	3A Relay	Fixed	Potted	LF E4HW 0550 AAAA A	6, 8
142A-3615-2300	230 VAC	J t/c	288°C	High limit	Automatic Reset	3A Relay	Fixed	Potted	LF E4JW 0288 AAAA A	6, 8
142A-3615-2400	230 VAC	J t/c	550°F	On/Off	Heat	3A Relay	Fixed	Potted	CF E4HH 0550 AAAA A	6, 8
142A-3615-2400	230 VAC	J t/c	288°C	On/Off	Heat	3A Relay	Fixed	Potted	CF E4JH 0288 AAAA A	6, 8
142A-3616-1200	120 VAC	J t/c	575°F	High limit	Manual Reset	3A Relay	Fixed	Potted	LF C4HU 0575 AAAA A	6, 8
142A-3616-1200	120 VAC	J t/c	302°C	High limit	Manual Reset	3A Relay	Fixed	Potted	LF C4JU 0302 AAAA A	6, 8
142A-3616-1300	120 VAC	J t/c	575°F	High limit	Automatic Reset	3A Relay	Fixed	Potted	LF C4HW 0575 AAAA A	6, 8
142A-3616-1300	120 VAC	J t/c	302°C	High limit	Automatic Reset	3A Relay	Fixed	Potted	LF C4JW 0302 AAAA A	6, 8
142A-3616-1400	120 VAC	J t/c	575°F	On/Off	Heat	3A Relay	Fixed	Potted	CF C4HH 0575 AAAA A	6, 8
142A-3616-1400	120 VAC	J t/c	302°C	On/Off	Heat	3A Relay	Fixed	Potted	CF C4JH 0302 AAAA A	6, 8
142A-3616-2200	230 VAC	J t/c	575°F	High limit	Manual Reset	3A Relay	Fixed	Potted	LF E4HU 0575 AAAA A	6, 8
142A-3616-2200	230 VAC	J t/c	302°C	High limit	Manual Reset	3A Relay	Fixed	Potted	LF E4JU 0302 AAAA A	6, 8
142A-3616-2300	230 VAC	J t/c	575°F	High limit	Automatic Reset	3A Relay	Fixed	Potted	LF E4HW 0575 AAAA A	6, 8
142A-3616-2300	230 VAC	J t/c	302°C	High limit	Automatic Reset	3A Relay	Fixed	Potted	LF E4JW 0302 AAAA A	6, 8
142A-3616-2400	230 VAC	J t/c	575°F	On/Off	Heat	3A Relay	Fixed	Potted	CF E4HH 0575 AAAA A	6, 8
142A-3616-2400	230 VAC	J t/c	302°C	On/Off	Heat	3A Relay	Fixed	Potted	CF E4JH 0302 AAAA A	6, 8
142A-3617-1200	120 VAC	J t/c	600°F	High limit	Manual Reset	3A Relay	Fixed	Potted	LF C4HU 0600 AAAA A	6, 8
142A-3617-1200	120 VAC	J t/c	316°C	High limit	Manual Reset	3A Relay	Fixed	Potted	LF C4JU 0316 AAAA A	6, 8
142A-3617-1300	120 VAC	J t/c	600°F	High limit	Automatic Reset	3A Relay	Fixed	Potted	LF C4HW 0600 AAAA A	6, 8
142A-3617-1300	120 VAC	J t/c	316°C	High limit	Automatic Reset	3A Relay	Fixed	Potted	LF C4JW 0316 AAAA A	6, 8
142A-3617-1400	120 VAC	J t/c	600°F	On/Off	Heat	3A Relay	Fixed	Potted	CF C4HH 0600 AAAA A	6, 8
142A-3617-1400	120 VAC	J t/c	316°C	On/Off	Heat	3A Relay	Fixed	Potted	CF C4JH 0316 AAAA A	6, 8
142A-3617-2200	230 VAC	J t/c	600°F	High limit	Manual Reset	3A Relay	Fixed	Potted	LF E4HU 0600 AAAA A	6, 8
142A-3617-2200	230 VAC	J t/c	316°C	High limit	Manual Reset	3A Relay	Fixed	Potted	LF E4JU 0316 AAAA A	6, 8
142A-3617-2300	230 VAC	J t/c	600°F	High limit	Automatic Reset	3A Relay	Fixed	Potted	LF E4HW 0600 AAAA A	6, 8
142A-3617-2300	230 VAC	J t/c	316°C	High limit	Automatic Reset	3A Relay	Fixed	Potted	LF E4JW 0316 AAAA A	6, 8
142A-3617-2400	230 VAC	J t/c	600°F	On/Off	Heat	3A Relay	Fixed	Potted	CF E4HH 0600 AAAA A	6, 8
142A-3617-2400	230 VAC	J t/c	316°C	On/Off	Heat	3A Relay	Fixed	Potted	CF E4JH 0316 AAAA A	6, 8
142A-3618-1200	120 VAC	J t/c	625°F	High limit	Manual Reset	3A Relay	Fixed	Potted	LF C4HU 0625 AAAA A	6, 8
142A-3618-1200	120 VAC	J t/c	329°C	High limit	Manual Reset	3A Relay	Fixed	Potted	LF C4JU 0329 AAAA A	6, 8
142A-3618-1300	120 VAC	J t/c	625°F	High limit	Automatic Reset	3A Relay	Fixed	Potted	LF C4HW 0625 AAAA A	6, 8

Series 142

<u>Series 142</u>	Line	Voltage	Input	Temp Range	Control Mode	Action	Output	Set Point	Mounting	Retrofit	See Notes Below
	142A-3618-1300	120 VAC	J t/c	329°C	High limit	Automatic Reset	3A Relay	Fixed	Potted	LF C4JW 0329 AAAA A	6, 8
	142A-3618-1400	120 VAC	J t/c	625°F	On/Off	Heat	3A Relay	Fixed	Potted	CF C4HH 0625 AAAA A	6, 8
	142A-3618-1400	120 VAC	J t/c	329°C	On/Off	Heat	3A Relay	Fixed	Potted	CF C4JH 0329 AAAA A	6, 8
	142A-3618-2200	230 VAC	J t/c	625°F	High limit	Manual Reset	3A Relay	Fixed	Potted	LF E4HU 0625 AAAA A	6, 8
	142A-3618-2200	230 VAC	J t/c	329°C	High limit	Manual Reset	3A Relay	Fixed	Potted	LF E4JU 0329 AAAA A	6, 8
	142A-3618-2300	230 VAC	J t/c	625°F	High limit	Automatic Reset	3A Relay	Fixed	Potted	LF E4HW 0625 AAAA A	6, 8
	142A-3618-2300	230 VAC	J t/c	329°C	High limit	Automatic Reset	3A Relay	Fixed	Potted	LF E4JW 0329 AAAA A	6, 8
	142A-3618-2400	230 VAC	J t/c	625°F	On/Off	Heat	3A Relay	Fixed	Potted	CF E4HH 0625 AAAA A	6, 8
	142A-3618-2400	230 VAC	J t/c	329°C	On/Off	Heat	3A Relay	Fixed	Potted	CF E4JH 0329 AAAA A	6, 8
	142A-3619-1200	120 VAC	K t/c	300°F	High limit	Manual Reset	3A Relay	Fixed	Potted	LF C4KU 0300 AAAA A	6, 8
	142A-3619-1200	120 VAC	K t/c	149°C	High limit	Manual Reset	3A Relay	Fixed	Potted	LF C4LU 0149 AAAA A	6, 8
	142A-3619-1300	120 VAC	K t/c	300°F	High limit	Automatic Reset	3A Relay	Fixed	Potted	LF C4KW 0300 AAAA A	6, 8
	142A-3619-1300	120 VAC	K t/c	149°C	High limit	Automatic Reset	3A Relay	Fixed	Potted	LF C4LW 0149 AAAA A	6, 8
	142A-3619-1400	120 VAC	K t/c	300°F	On/Off	Heat	3A Relay	Fixed	Potted	CF C4KH 0300 AAAA A	6, 8
	142A-3619-1400	120 VAC	K t/c	149°C	On/Off	Heat	3A Relay	Fixed	Potted	CF C4LH 0149 AAAA A	6, 8
	142A-3619-2200	230 VAC	K t/c	300°F	High limit	Manual Reset	3A Relay	Fixed	Potted	LF E4KU 0300 AAAA A	6, 8
	142A-3619-2200	230 VAC	K t/c	149°C	High limit	Manual Reset	3A Relay	Fixed	Potted	LF E4LU 0149 AAAA A	6, 8
	142A-3619-2300	230 VAC	K t/c	300°F	High limit	Automatic Reset	3A Relay	Fixed	Potted	LF E4KW 0300 AAAA A	6, 8
	142A-3619-2300	230 VAC	K t/c	149°C	High limit	Automatic Reset	3A Relay	Fixed	Potted	LF E4LW 0149 AAAA A	6, 8
	142A-3619-2400	230 VAC	K t/c	300°F	On/Off	Heat	3A Relay	Fixed	Potted	CF E4KH 0300 AAAA A	6, 8
	142A-3619-2400	230 VAC	K t/c	149°C	On/Off	Heat	3A Relay	Fixed	Potted	CF E4LH 0149 AAAA A	6, 8
	142A-3620-1200	120 VAC	J t/c	675°F	High limit	Manual Reset	3A Relay	Fixed	Potted	LF C4HU 0675 AAAA A	6, 8
	142A-3620-1200	120 VAC	J t/c	357°C	High limit	Manual Reset	3A Relay	Fixed	Potted	LF C4JU 0357 AAAA A	6, 8
	142A-3620-1300	120 VAC	J t/c	675°F	High limit	Automatic Reset	3A Relay	Fixed	Potted	LF C4HW 0675 AAAA A	6, 8
	142A-3620-1300	120 VAC	J t/c	357°C	High limit	Automatic Reset	3A Relay	Fixed	Potted	LF C4JW 0357 AAAA A	6, 8
	142A-3620-1400	120 VAC	J t/c	675°F	On/Off	Heat	3A Relay	Fixed	Potted	CF C4HH 0675 AAAA A	6, 8
	142A-3620-1400	120 VAC	J t/c	357°C	On/Off	Heat	3A Relay	Fixed	Potted	CF C4JH 0357 AAAA A	6, 8
	142A-3620-2200	230 VAC	J t/c	675°F	High limit	Manual Reset	3A Relay	Fixed	Potted	LF E4HU 0675 AAAA A	6, 8
	142A-3620-2200	230 VAC	J t/c	357°C	High limit	Manual Reset	3A Relay	Fixed	Potted	LF E4JU 0357 AAAA A	6, 8
	142A-3620-2300	230 VAC	J t/c	675°F	High limit	Automatic Reset	3A Relay	Fixed	Potted	LF E4HW 0675 AAAA A	6, 8
	142A-3620-2300	230 VAC	J t/c	357°C	High limit	Automatic Reset	3A Relay	Fixed	Potted	LF E4JW 0357 AAAA A	6, 8
	142A-3620-2400	230 VAC	J t/c	675°F	On/Off	Heat	3A Relay	Fixed	Potted	CF E4HH 0675 AAAA A	6, 8
	142A-3620-2400	230 VAC	J t/c	357°C	On/Off	Heat	3A Relay	Fixed	Potted	CF E4JH 0357 AAAA A	6, 8
	142A-3621-1200	120 VAC	J t/c	700°F	High limit	Manual Reset	3A Relay	Fixed	Potted	LF C4HU 0700 AAAA A	6, 8
	142A-3621-1200	120 VAC	J t/c	371°C	High limit	Manual Reset	3A Relay	Fixed	Potted	LF C4JU 0371 AAAA A	6, 8
	142A-3621-1300	120 VAC	J t/c	700°F	High limit	Automatic Reset	3A Relay	Fixed	Potted	LF C4HW 0700 AAAA A	6, 8
	142A-3621-1300	120 VAC	J t/c	371°C	High limit	Automatic Reset	3A Relay	Fixed	Potted	LF C4JW 0371 AAAA A	6, 8
	142A-3621-1400	120 VAC	J t/c	700°F	On/Off	Heat	3A Relay	Fixed	Potted	CF C4HH 0700 AAAA A	6, 8
	142A-3621-1400	120 VAC	J t/c	371°C	On/Off	Heat	3A Relay	Fixed	Potted	CF C4JH 0371 AAAA A	6, 8
	142A-3621-2200	230 VAC	J t/c	700°F	High limit	Manual Reset	3A Relay	Fixed	Potted	LF E4HU 0700 AAAA A	6, 8
	142A-3621-2200	230 VAC	J t/c	371°C	High limit	Manual Reset	3A Relay	Fixed	Potted	LF E4JU 0371 AAAA A	6, 8

Series 142

<u>Series 142</u>	Line	Voltage	Input	Temp Range	Control Mode	Action	Output	Set Point	Mounting	Retrofit	See Notes Below
	142A-3621-2300	230 VAC	J t/c	700°F	High limit	Automatic Reset	3A Relay	Fixed	Potted	LF E4HW 0700 AAAA A	6, 8
	142A-3621-2300	230 VAC	J t/c	371°C	High limit	Automatic Reset	3A Relay	Fixed	Potted	LF E4JW 0371 AAAA A	6, 8
	142A-3621-2400	230 VAC	J t/c	700°F	On/Off	Heat	3A Relay	Fixed	Potted	CF E4HH 0700 AAAA A	6, 8
	142A-3621-2400	230 VAC	J t/c	371°C	On/Off	Heat	3A Relay	Fixed	Potted	CF E4JH 0371 AAAA A	6, 8
	142A-3622-1200	120 VAC	J t/c	725°F	High limit	Manual Reset	3A Relay	Fixed	Potted	LF C4HU 0725 AAAA A	6, 8
	142A-3622-1200	120 VAC	J t/c	385°C	High limit	Manual Reset	3A Relay	Fixed	Potted	LF C4JU 0385 AAAA A	6, 8
	142A-3622-1300	120 VAC	J t/c	725°F	High limit	Automatic Reset	3A Relay	Fixed	Potted	LF C4HW 0725 AAAA A	6, 8
	142A-3622-1300	120 VAC	J t/c	385°C	High limit	Automatic Reset	3A Relay	Fixed	Potted	LF C4JW 0385 AAAA A	6, 8
	142A-3622-1400	120 VAC	J t/c	725°F	On/Off	Heat	3A Relay	Fixed	Potted	CF C4HH 0725 AAAA A	6, 8
	142A-3622-1400	120 VAC	J t/c	385°C	On/Off	Heat	3A Relay	Fixed	Potted	CF C4JH 0385 AAAA A	6, 8
	142A-3622-2200	230 VAC	J t/c	725°F	High limit	Manual Reset	3A Relay	Fixed	Potted	LF E4HU 0725 AAAA A	6, 8
	142A-3622-2200	230 VAC	J t/c	385°C	High limit	Manual Reset	3A Relay	Fixed	Potted	LF E4JU 0385 AAAA A	6, 8
	142A-3622-2300	230 VAC	J t/c	725°F	High limit	Automatic Reset	3A Relay	Fixed	Potted	LF E4HW 0725 AAAA A	6, 8
	142A-3622-2300	230 VAC	J t/c	385°C	High limit	Automatic Reset	3A Relay	Fixed	Potted	LF E4JW 0385 AAAA A	6, 8
	142A-3622-2400	230 VAC	J t/c	725°F	On/Off	Heat	3A Relay	Fixed	Potted	CF E4HH 0725 AAAA A	6, 8
	142A-3622-2400	230 VAC	J t/c	385°C	On/Off	Heat	3A Relay	Fixed	Potted	CF E4JH 0385 AAAA A	6, 8
	142A-3623-1200	120 VAC	J t/c	750°F	High limit	Manual Reset	3A Relay	Fixed	Potted	LF C4HU 0750 AAAA A	6, 8
	142A-3623-1200	120 VAC	J t/c	399°C	High limit	Manual Reset	3A Relay	Fixed	Potted	LF C4JU 0399 AAAA A	6, 8
	142A-3623-1300	120 VAC	J t/c	750°F	High limit	Automatic Reset	3A Relay	Fixed	Potted	LF C4HW 0750 AAAA A	6, 8
	142A-3623-1300	120 VAC	J t/c	399°C	High limit	Automatic Reset	3A Relay	Fixed	Potted	LF C4JW 0399 AAAA A	6, 8
	142A-3623-1400	120 VAC	J t/c	750°F	On/Off	Heat	3A Relay	Fixed	Potted	CF C4HH 0750 AAAA A	6, 8
	142A-3623-1400	120 VAC	J t/c	399°C	On/Off	Heat	3A Relay	Fixed	Potted	CF C4JH 0399 AAAA A	6, 8
	142A-3623-2200	230 VAC	J t/c	750°F	High limit	Manual Reset	3A Relay	Fixed	Potted	LF E4HU 0750 AAAA A	6, 8
	142A-3623-2200	230 VAC	J t/c	399°C	High limit	Manual Reset	3A Relay	Fixed	Potted	LF E4JU 0399 AAAA A	6, 8
	142A-3623-2300	230 VAC	J t/c	750°F	High limit	Automatic Reset	3A Relay	Fixed	Potted	LF E4HW 0750 AAAA A	6, 8
	142A-3623-2300	230 VAC	J t/c	399°C	High limit	Automatic Reset	3A Relay	Fixed	Potted	LF E4JW 0399 AAAA A	6, 8
	142A-3623-2400	230 VAC	J t/c	750°F	On/Off	Heat	3A Relay	Fixed	Potted	CF E4HH 0750 AAAA A	6, 8
	142A-3623-2400	230 VAC	J t/c	399°C	On/Off	Heat	3A Relay	Fixed	Potted	CF E4JH 0399 AAAA A	6, 8
	142A-3624-1200	120 VAC	J t/c	755°F	High limit	Manual Reset	3A Relay	Fixed	Potted	LF C4HU 0755 AAAA A	6, 8
	142A-3624-1200	120 VAC	J t/c	413°C	High limit	Manual Reset	3A Relay	Fixed	Potted	LF C4JU 0413 AAAA A	6, 8
	142A-3624-1300	120 VAC	J t/c	755°F	High limit	Automatic Reset	3A Relay	Fixed	Potted	LF C4HW 0755 AAAA A	6, 8
	142A-3624-1300	120 VAC	J t/c	413°C	High limit	Automatic Reset	3A Relay	Fixed	Potted	LF C4JW 0413 AAAA A	6, 8
	142A-3624-1400	120 VAC	J t/c	755°F	On/Off	Heat	3A Relay	Fixed	Potted	CF C4HH 0755 AAAA A	6, 8
	142A-3624-1400	120 VAC	J t/c	413°C	On/Off	Heat	3A Relay	Fixed	Potted	CF C4JH 0413 AAAA A	6, 8
	142A-3624-2200	230 VAC	J t/c	755°F	High limit	Manual Reset	3A Relay	Fixed	Potted	LF E4HU 0755 AAAA A	6, 8
	142A-3624-2200	230 VAC	J t/c	413°C	High limit	Manual Reset	3A Relay	Fixed	Potted	LF E4JU 0413 AAAA A	6, 8
	142A-3624-2300	230 VAC	J t/c	755°F	High limit	Automatic Reset	3A Relay	Fixed	Potted	LF E4HW 0755 AAAA A	6, 8
	142A-3624-2300	230 VAC	J t/c	413°C	High limit	Automatic Reset	3A Relay	Fixed	Potted	LF E4JW 0413 AAAA A	6, 8
	142A-3624-2400	230 VAC	J t/c	755°F	On/Off	Heat	3A Relay	Fixed	Potted	CF E4HH 0755 AAAA A	6, 8
	142A-3624-2400	230 VAC	J t/c	413°C	On/Off	Heat	3A Relay	Fixed	Potted	CF E4JH 0413 AAAA A	6, 8
	142A-3625-1200	120 VAC	J t/c	800°F	High limit	Manual Reset	3A Relay	Fixed	Potted	LF C4HU 0800 AAAA A	6, 8

Series 142

<u>Series 142</u>	Line									See Notes
	Voltage	Input	Temp Range	Control Mode	Action	Output	Set Point	Mounting	Retrofit	Below
142A-3625-1200	120 VAC	J t/c	427°C	High limit	Manual Reset	3A Relay	Fixed	Potted	LF C4JU 0427 AAAA A	6, 8
142A-3625-1300	120 VAC	J t/c	800°F	High limit	Automatic Reset	3A Relay	Fixed	Potted	LF C4HW 0800 AAAA A	6, 8
142A-3625-1300	120 VAC	J t/c	427°C	High limit	Automatic Reset	3A Relay	Fixed	Potted	LF C4JW 0427 AAAA A	6, 8
142A-3625-1400	120 VAC	J t/c	800°F	On/Off	Heat	3A Relay	Fixed	Potted	CF C4HH 0800 AAAA A	6, 8
142A-3625-1400	120 VAC	J t/c	427°C	On/Off	Heat	3A Relay	Fixed	Potted	CF C4JH 0427 AAAA A	6, 8
142A-3625-2200	230 VAC	J t/c	800°F	High limit	Manual Reset	3A Relay	Fixed	Potted	LF E4HU 0800 AAAA A	6, 8
142A-3625-2200	230 VAC	J t/c	427°C	High limit	Manual Reset	3A Relay	Fixed	Potted	LF E4JU 0427 AAAA A	6, 8
142A-3625-2300	230 VAC	J t/c	800°F	High limit	Automatic Reset	3A Relay	Fixed	Potted	LF E4HW 0800 AAAA A	6, 8
142A-3625-2300	230 VAC	J t/c	427°C	High limit	Automatic Reset	3A Relay	Fixed	Potted	LF E4JW 0427 AAAA A	6, 8
142A-3625-2400	230 VAC	J t/c	800°F	On/Off	Heat	3A Relay	Fixed	Potted	CF E4HH 0800 AAAA A	6, 8
142A-3625-2400	230 VAC	J t/c	427°C	On/Off	Heat	3A Relay	Fixed	Potted	CF E4JH 0427 AAAA A	6, 8
142A-3626-1200	120 VAC	J t/c	50°F	High limit	Manual Reset	3A Relay	Fixed	Potted	LF C4HU 0050 AAAA A	6, 8
142A-3626-1200	120 VAC	J t/c	10°C	High limit	Manual Reset	3A Relay	Fixed	Potted	LF C4JU 0010 AAAA A	6, 8
142A-3626-1300	120 VAC	J t/c	50°F	High limit	Automatic Reset	3A Relay	Fixed	Potted	LF C4HW 0050 AAAA A	6, 8
142A-3626-1300	120 VAC	J t/c	10°C	High limit	Automatic Reset	3A Relay	Fixed	Potted	LF C4JW 0010 AAAA A	6, 8
142A-3626-1400	120 VAC	J t/c	50°F	On/Off	Heat	3A Relay	Fixed	Potted	CF C4HH 0050 AAAA A	6, 8
142A-3626-1400	120 VAC	J t/c	10°C	On/Off	Heat	3A Relay	Fixed	Potted	CF C4JH 0010 AAAA A	6, 8
142A-3626-2200	230 VAC	J t/c	50°F	High limit	Manual Reset	3A Relay	Fixed	Potted	LF E4HU 0050 AAAA A	6, 8
142A-3626-2200	230 VAC	J t/c	10°C	High limit	Manual Reset	3A Relay	Fixed	Potted	LF E4JU 0010 AAAA A	6, 8
142A-3626-2300	230 VAC	J t/c	50°F	High limit	Automatic Reset	3A Relay	Fixed	Potted	LF E4HW 0050 AAAA A	6, 8
142A-3626-2300	230 VAC	J t/c	10°C	High limit	Automatic Reset	3A Relay	Fixed	Potted	LF E4JW 0010 AAAA A	6, 8
142A-3626-2400	230 VAC	J t/c	50°F	On/Off	Heat	3A Relay	Fixed	Potted	CF E4HH 0050 AAAA A	6, 8
142A-3626-2400	230 VAC	J t/c	10°C	On/Off	Heat	3A Relay	Fixed	Potted	CF E4JH 0010 AAAA A	6, 8
142A-3627-1200	120 VAC	J t/c	850°F	High limit	Manual Reset	3A Relay	Fixed	Potted	LF C4HU 0850 AAAA A	6, 8
142A-3627-1200	120 VAC	J t/c	454°C	High limit	Manual Reset	3A Relay	Fixed	Potted	LF C4JU 0454 AAAA A	6, 8
142A-3627-1300	120 VAC	J t/c	850°F	High limit	Automatic Reset	3A Relay	Fixed	Potted	LF C4HW 0850 AAAA A	6, 8
142A-3627-1300	120 VAC	J t/c	454°C	High limit	Automatic Reset	3A Relay	Fixed	Potted	LF C4JW 0454 AAAA A	6, 8
142A-3627-1400	120 VAC	J t/c	850°F	On/Off	Heat	3A Relay	Fixed	Potted	CF C4HH 0850 AAAA A	6, 8
142A-3627-1400	120 VAC	J t/c	454°C	On/Off	Heat	3A Relay	Fixed	Potted	CF C4JH 0454 AAAA A	6, 8
142A-3627-2200	230 VAC	J t/c	850°F	High limit	Manual Reset	3A Relay	Fixed	Potted	LF E4HU 0850 AAAA A	6, 8
142A-3627-2200	230 VAC	J t/c	454°C	High limit	Manual Reset	3A Relay	Fixed	Potted	LF E4JU 0454 AAAA A	6, 8
142A-3627-2300	230 VAC	J t/c	850°F	High limit	Automatic Reset	3A Relay	Fixed	Potted	LF E4HW 0850 AAAA A	6, 8
142A-3627-2300	230 VAC	J t/c	454°C	High limit	Automatic Reset	3A Relay	Fixed	Potted	LF E4JW 0454 AAAA A	6, 8
142A-3627-2400	230 VAC	J t/c	850°F	On/Off	Heat	3A Relay	Fixed	Potted	CF E4HH 0850 AAAA A	6, 8
142A-3627-2400	230 VAC	J t/c	454°C	On/Off	Heat	3A Relay	Fixed	Potted	CF E4JH 0454 AAAA A	6, 8
142A-3628-1200	120 VAC	J t/c	875°F	High limit	Manual Reset	3A Relay	Fixed	Potted	LF C4HU 0875 AAAA A	6, 8
142A-3628-1200	120 VAC	J t/c	468°C	High limit	Manual Reset	3A Relay	Fixed	Potted	LF C4JU 0468 AAAA A	6, 8
142A-3628-1300	120 VAC	J t/c	875°F	High limit	Automatic Reset	3A Relay	Fixed	Potted	LF C4HW 0875 AAAA A	6, 8
142A-3628-1300	120 VAC	J t/c	468°C	High limit	Automatic Reset	3A Relay	Fixed	Potted	LF C4JW 0468 AAAA A	6, 8
142A-3628-1400	120 VAC	J t/c	875°F	On/Off	Heat	3A Relay	Fixed	Potted	CF C4HH 0875 AAAA A	6, 8
142A-3628-1400	120 VAC	J t/c	468°C	On/Off	Heat	3A Relay	Fixed	Potted	CF C4JH 0468 AAAA A	6, 8

Series 142

<u>Series 142</u>	Line									See Notes
	Voltage	Input	Temp Range	Control Mode	Action	Output	Set Point	Mounting	Retrofit	Below
142A-3628-2200	230 VAC	J t/c	875°F	High limit	Manual Reset	3A Relay	Fixed	Potted	LF E4HU 0875 AAAA A	6, 8
142A-3628-2200	230 VAC	J t/c	468°C	High limit	Manual Reset	3A Relay	Fixed	Potted	LF E4JU 0468 AAAA A	6, 8
142A-3628-2300	230 VAC	J t/c	875°F	High limit	Automatic Reset	3A Relay	Fixed	Potted	LF E4HW 0875 AAAA A	6, 8
142A-3628-2300	230 VAC	J t/c	468°C	High limit	Automatic Reset	3A Relay	Fixed	Potted	LF E4JW 0468 AAAA A	6, 8
142A-3628-2400	230 VAC	J t/c	875°F	On/Off	Heat	3A Relay	Fixed	Potted	CF E4HH 0875 AAAA A	6, 8
142A-3628-2400	230 VAC	J t/c	468°C	On/Off	Heat	3A Relay	Fixed	Potted	CF E4JH 0468 AAAA A	6, 8
142A-3629-1200	120 VAC	K t/c	800°F	High limit	Manual Reset	3A Relay	Fixed	Potted	LF C4KU 0800 AAAA A	6, 8
142A-3629-1200	120 VAC	K t/c	427°C	High limit	Manual Reset	3A Relay	Fixed	Potted	LF C4LU 0427 AAAA A	6, 8
142A-3629-1300	120 VAC	K t/c	800°F	High limit	Automatic Reset	3A Relay	Fixed	Potted	LF C4KW 0800 AAAA A	6, 8
142A-3629-1300	120 VAC	K t/c	427°C	High limit	Automatic Reset	3A Relay	Fixed	Potted	LF C4LW 0427 AAAA A	6, 8
142A-3629-1400	120 VAC	K t/c	800°F	On/Off	Heat	3A Relay	Fixed	Potted	CF C4KH 0800 AAAA A	6, 8
142A-3629-1400	120 VAC	K t/c	427°C	On/Off	Heat	3A Relay	Fixed	Potted	CF C4LH 0427 AAAA A	6, 8
142A-3629-2200	230 VAC	K t/c	800°F	High limit	Manual Reset	3A Relay	Fixed	Potted	LF E4KU 0800 AAAA A	6, 8
142A-3629-2200	230 VAC	K t/c	427°C	High limit	Manual Reset	3A Relay	Fixed	Potted	LF E4LU 0427 AAAA A	6, 8
142A-3629-2300	230 VAC	K t/c	800°F	High limit	Automatic Reset	3A Relay	Fixed	Potted	LF E4KW 0800 AAAA A	6, 8
142A-3629-2300	230 VAC	K t/c	427°C	High limit	Automatic Reset	3A Relay	Fixed	Potted	LF E4LW 0427 AAAA A	6, 8
142A-3629-2400	230 VAC	K t/c	800°F	On/Off	Heat	3A Relay	Fixed	Potted	CF E4KH 0800 AAAA A	6, 8
142A-3629-2400	230 VAC	K t/c	427°C	On/Off	Heat	3A Relay	Fixed	Potted	CF E4LH 0427 AAAA A	6, 8
142A-3630-1200	120 VAC	J t/c	925°F	High limit	Manual Reset	3A Relay	Fixed	Potted	LF C4HU 0925 AAAA A	6, 8
142A-3630-1200	120 VAC	J t/c	496°C	High limit	Manual Reset	3A Relay	Fixed	Potted	LF C4JU 0496 AAAA A	6, 8
142A-3630-1300	120 VAC	J t/c	925°F	High limit	Automatic Reset	3A Relay	Fixed	Potted	LF C4HW 0925 AAAA A	6, 8
142A-3630-1300	120 VAC	J t/c	496°C	High limit	Automatic Reset	3A Relay	Fixed	Potted	LF C4JW 0496 AAAA A	6, 8
142A-3630-1400	120 VAC	J t/c	925°F	On/Off	Heat	3A Relay	Fixed	Potted	CF C4HH 0925 AAAA A	6, 8
142A-3630-1400	120 VAC	J t/c	496°C	On/Off	Heat	3A Relay	Fixed	Potted	CF C4JH 0496 AAAA A	6, 8
142A-3630-2200	230 VAC	J t/c	925°F	High limit	Manual Reset	3A Relay	Fixed	Potted	LF E4HU 0925 AAAA A	6, 8
142A-3630-2200	230 VAC	J t/c	496°C	High limit	Manual Reset	3A Relay	Fixed	Potted	LF E4JU 0496 AAAA A	6, 8
142A-3630-2300	230 VAC	J t/c	925°F	High limit	Automatic Reset	3A Relay	Fixed	Potted	LF E4HW 0925 AAAA A	6, 8
142A-3630-2300	230 VAC	J t/c	496°C	High limit	Automatic Reset	3A Relay	Fixed	Potted	LF E4JW 0496 AAAA A	6, 8
142A-3630-2400	230 VAC	J t/c	925°F	On/Off	Heat	3A Relay	Fixed	Potted	CF E4HH 0925 AAAA A	6, 8
142A-3630-2400	230 VAC	J t/c	496°C	On/Off	Heat	3A Relay	Fixed	Potted	CF E4JH 0496 AAAA A	6, 8
142A-3631-1200	120 VAC	J t/c	950°F	High limit	Manual Reset	3A Relay	Fixed	Potted	LF C4HU 0950 AAAA A	6, 8
142A-3631-1200	120 VAC	J t/c	510°C	High limit	Manual Reset	3A Relay	Fixed	Potted	LF C4JU 0510 AAAA A	6, 8
142A-3631-1300	120 VAC	J t/c	950°F	High limit	Automatic Reset	3A Relay	Fixed	Potted	LF C4HW 0950 AAAA A	6, 8
142A-3631-1300	120 VAC	J t/c	510°C	High limit	Automatic Reset	3A Relay	Fixed	Potted	LF C4JW 0510 AAAA A	6, 8
142A-3631-1400	120 VAC	J t/c	950°F	On/Off	Heat	3A Relay	Fixed	Potted	CF C4HH 0950 AAAA A	6, 8
142A-3631-1400	120 VAC	J t/c	510°C	On/Off	Heat	3A Relay	Fixed	Potted	CF C4JH 0510 AAAA A	6, 8
142A-3631-2200	230 VAC	J t/c	950°F	High limit	Manual Reset	3A Relay	Fixed	Potted	LF E4HU 0950 AAAA A	6, 8
142A-3631-2200	230 VAC	J t/c	510°C	High limit	Manual Reset	3A Relay	Fixed	Potted	LF E4JU 0510 AAAA A	6, 8
142A-3631-2300	230 VAC	J t/c	950°F	High limit	Automatic Reset	3A Relay	Fixed	Potted	LF E4HW 0950 AAAA A	6, 8
142A-3631-2300	230 VAC	J t/c	510°C	High limit	Automatic Reset	3A Relay	Fixed	Potted	LF E4JW 0510 AAAA A	6, 8
142A-3631-2400	230 VAC	J t/c	950°F	On/Off	Heat	3A Relay	Fixed	Potted	CF E4HH 0950 AAAA A	6, 8

Series 142

<u>Series 142</u>	Line	Voltage	Input	Temp Range	Control Mode	Action	Output	Set Point	Mounting	Retrofit	See Notes Below
	142A-3631-2400	230 VAC	J t/c	510°C	On/Off	Heat	3A Relay	Fixed	Potted	CF E4JH 0510 AAAA A	6, 8
	142A-3632-1200	120 VAC	J t/c	975°F	High limit	Manual Reset	3A Relay	Fixed	Potted	LF C4HU 0975 AAAA A	6, 8
	142A-3632-1200	120 VAC	J t/c	524°C	High limit	Manual Reset	3A Relay	Fixed	Potted	LF C4JU 0524 AAAA A	6, 8
	142A-3632-1300	120 VAC	J t/c	975°F	High limit	Automatic Reset	3A Relay	Fixed	Potted	LF C4HW 0975 AAAA A	6, 8
	142A-3632-1300	120 VAC	J t/c	524°C	High limit	Automatic Reset	3A Relay	Fixed	Potted	LF C4JW 0524 AAAA A	6, 8
	142A-3632-1400	120 VAC	J t/c	975°F	On/Off	Heat	3A Relay	Fixed	Potted	CF C4HH 0975 AAAA A	6, 8
	142A-3632-1400	120 VAC	J t/c	524°C	On/Off	Heat	3A Relay	Fixed	Potted	CF C4JH 0524 AAAA A	6, 8
	142A-3632-2200	230 VAC	J t/c	975°F	High limit	Manual Reset	3A Relay	Fixed	Potted	LF E4HU 0975 AAAA A	6, 8
	142A-3632-2200	230 VAC	J t/c	524°C	High limit	Manual Reset	3A Relay	Fixed	Potted	LF E4JU 0524 AAAA A	6, 8
	142A-3632-2300	230 VAC	J t/c	975°F	High limit	Automatic Reset	3A Relay	Fixed	Potted	LF E4HW 0975 AAAA A	6, 8
	142A-3632-2300	230 VAC	J t/c	524°C	High limit	Automatic Reset	3A Relay	Fixed	Potted	LF E4JW 0524 AAAA A	6, 8
	142A-3632-2400	230 VAC	J t/c	975°F	On/Off	Heat	3A Relay	Fixed	Potted	CF E4HH 0975 AAAA A	6, 8
	142A-3632-2400	230 VAC	J t/c	524°C	On/Off	Heat	3A Relay	Fixed	Potted	CF E4JH 0524 AAAA A	6, 8
	142A-3633-1200	120 VAC	J t/c	1000°F	High limit	Manual Reset	3A Relay	Fixed	Potted	LF C4HU 1000 AAAA A	6, 8
	142A-3633-1200	120 VAC	J t/c	538°C	High limit	Manual Reset	3A Relay	Fixed	Potted	LF C4JU 0538 AAAA A	6, 8
	142A-3633-1300	120 VAC	J t/c	1000°F	High limit	Automatic Reset	3A Relay	Fixed	Potted	LF C4HW 1000 AAAA A	6, 8
	142A-3633-1300	120 VAC	J t/c	538°C	High limit	Automatic Reset	3A Relay	Fixed	Potted	LF C4JW 0538 AAAA A	6, 8
	142A-3633-1400	120 VAC	J t/c	1000°F	On/Off	Heat	3A Relay	Fixed	Potted	CF C4HH 1000 AAAA A	6, 8
	142A-3633-1400	120 VAC	J t/c	538°C	On/Off	Heat	3A Relay	Fixed	Potted	CF C4JH 0538 AAAA A	6, 8
	142A-3633-2200	230 VAC	J t/c	1000°F	High limit	Manual Reset	3A Relay	Fixed	Potted	LF E4HU 1000 AAAA A	6, 8
	142A-3633-2200	230 VAC	J t/c	538°C	High limit	Manual Reset	3A Relay	Fixed	Potted	LF E4JU 0538 AAAA A	6, 8
	142A-3633-2300	230 VAC	J t/c	1000°F	High limit	Automatic Reset	3A Relay	Fixed	Potted	LF E4HW 1000 AAAA A	6, 8
	142A-3633-2300	230 VAC	J t/c	538°C	High limit	Automatic Reset	3A Relay	Fixed	Potted	LF E4JW 0538 AAAA A	6, 8
	142A-3633-2400	230 VAC	J t/c	1000°F	On/Off	Heat	3A Relay	Fixed	Potted	CF E4HH 1000 AAAA A	6, 8
	142A-3633-2400	230 VAC	J t/c	538°C	On/Off	Heat	3A Relay	Fixed	Potted	CF E4JH 0538 AAAA A	6, 8
	142A-3634-1200	120 VAC	K t/c	1050°F	High limit	Manual Reset	3A Relay	Fixed	Potted	LF C4KU 1050 AAAA A	6, 8
	142A-3634-1200	120 VAC	K t/c	566°C	High limit	Manual Reset	3A Relay	Fixed	Potted	LF C4LU 0566 AAAA A	6, 8
	142A-3634-1300	120 VAC	K t/c	1050°F	High limit	Automatic Reset	3A Relay	Fixed	Potted	LF C4KW 1050 AAAA A	6, 8
	142A-3634-1300	120 VAC	K t/c	566°C	High limit	Automatic Reset	3A Relay	Fixed	Potted	LF C4LW 0566 AAAA A	6, 8
	142A-3634-1400	120 VAC	K t/c	1050°F	On/Off	Heat	3A Relay	Fixed	Potted	CF C4KH 1050 AAAA A	6, 8
	142A-3634-1400	120 VAC	K t/c	566°C	On/Off	Heat	3A Relay	Fixed	Potted	CF C4LH 0566 AAAA A	6, 8
	142A-3634-2200	230 VAC	K t/c	1050°F	High limit	Manual Reset	3A Relay	Fixed	Potted	LF E4KU 1050 AAAA A	6, 8
	142A-3634-2200	230 VAC	K t/c	566°C	High limit	Manual Reset	3A Relay	Fixed	Potted	LF E4LU 0566 AAAA A	6, 8
	142A-3634-2300	230 VAC	K t/c	1050°F	High limit	Automatic Reset	3A Relay	Fixed	Potted	LF E4KW 1050 AAAA A	6, 8
	142A-3634-2300	230 VAC	K t/c	566°C	High limit	Automatic Reset	3A Relay	Fixed	Potted	LF E4LW 0566 AAAA A	6, 8
	142A-3634-2400	230 VAC	K t/c	1050°F	On/Off	Heat	3A Relay	Fixed	Potted	CF E4KH 1050 AAAA A	6, 8
	142A-3634-2400	230 VAC	K t/c	566°C	On/Off	Heat	3A Relay	Fixed	Potted	CF E4LH 0566 AAAA A	6, 8
	142A-3635-1200	120 VAC	K t/c	1100°F	High limit	Manual Reset	3A Relay	Fixed	Potted	LF C4KU 1100 AAAA A	6, 8
	142A-3635-1200	120 VAC	K t/c	537°C	High limit	Manual Reset	3A Relay	Fixed	Potted	LF C4LU 0537 AAAA A	6, 8
	142A-3635-1300	120 VAC	K t/c	1100°F	High limit	Automatic Reset	3A Relay	Fixed	Potted	LF C4KW 1100 AAAA A	6, 8
	142A-3635-1300	120 VAC	K t/c	537°C	High limit	Automatic Reset	3A Relay	Fixed	Potted	LF C4LW 0537 AAAA A	6, 8

Series 142

<u>Series 142</u>	Line	Voltage	Input	Temp Range	Control Mode	Action	Output	Set Point	Mounting	Retrofit	See Notes Below
	142A-3635-1400	120 VAC	K t/c	1100°F	On/Off	Heat	3A Relay	Fixed	Potted	CF C4KH 1100 AAAA A	6, 8
	142A-3635-1400	120 VAC	K t/c	537°C	On/Off	Heat	3A Relay	Fixed	Potted	CF C4LH 0537 AAAA A	6, 8
	142A-3635-2200	230 VAC	K t/c	1100°F	High limit	Manual Reset	3A Relay	Fixed	Potted	LF E4KU 1100 AAAA A	6, 8
	142A-3635-2200	230 VAC	K t/c	537°C	High limit	Manual Reset	3A Relay	Fixed	Potted	LF E4LU 0537 AAAA A	6, 8
	142A-3635-2300	230 VAC	K t/c	1100°F	High limit	Automatic Reset	3A Relay	Fixed	Potted	LF E4KW 1100 AAAA A	6, 8
	142A-3635-2300	230 VAC	K t/c	537°C	High limit	Automatic Reset	3A Relay	Fixed	Potted	LF E4LW 0537 AAAA A	6, 8
	142A-3635-2400	230 VAC	K t/c	1100°F	On/Off	Heat	3A Relay	Fixed	Potted	CF E4KH 1100 AAAA A	6, 8
	142A-3635-2400	230 VAC	K t/c	537°C	On/Off	Heat	3A Relay	Fixed	Potted	CF E4LH 0537 AAAA A	6, 8
	142A-3636-1200	120 VAC	K t/c	1150°F	High limit	Manual Reset	3A Relay	Fixed	Potted	LF C4KU 1150 AAAA A	6, 8
	142A-3636-1200	120 VAC	K t/c	621°C	High limit	Manual Reset	3A Relay	Fixed	Potted	LF C4LU 0621 AAAA A	6, 8
	142A-3636-1300	120 VAC	K t/c	1150°F	High limit	Automatic Reset	3A Relay	Fixed	Potted	LF C4KW 1150 AAAA A	6, 8
	142A-3636-1300	120 VAC	K t/c	621°C	High limit	Automatic Reset	3A Relay	Fixed	Potted	LF C4LW 0621 AAAA A	6, 8
	142A-3636-1400	120 VAC	K t/c	1150°F	On/Off	Heat	3A Relay	Fixed	Potted	CF C4KH 1150 AAAA A	6, 8
	142A-3636-1400	120 VAC	K t/c	621°C	On/Off	Heat	3A Relay	Fixed	Potted	CF C4LH 0621 AAAA A	6, 8
	142A-3636-2200	230 VAC	K t/c	1150°F	High limit	Manual Reset	3A Relay	Fixed	Potted	LF E4KU 1150 AAAA A	6, 8
	142A-3636-2200	230 VAC	K t/c	621°C	High limit	Manual Reset	3A Relay	Fixed	Potted	LF E4LU 0621 AAAA A	6, 8
	142A-3636-2300	230 VAC	K t/c	1150°F	High limit	Automatic Reset	3A Relay	Fixed	Potted	LF E4KW 1150 AAAA A	6, 8
	142A-3636-2300	230 VAC	K t/c	621°C	High limit	Automatic Reset	3A Relay	Fixed	Potted	LF E4LW 0621 AAAA A	6, 8
	142A-3636-2400	230 VAC	K t/c	1150°F	On/Off	Heat	3A Relay	Fixed	Potted	CF E4KH 1150 AAAA A	6, 8
	142A-3636-2400	230 VAC	K t/c	621°C	On/Off	Heat	3A Relay	Fixed	Potted	CF E4LH 0621 AAAA A	6, 8
	142A-3637-1200	120 VAC	K t/c	1200°F	High limit	Manual Reset	3A Relay	Fixed	Potted	LF C4KU 1200 AAAA A	6, 8
	142A-3637-1200	120 VAC	K t/c	649°C	High limit	Manual Reset	3A Relay	Fixed	Potted	LF C4LU 0649 AAAA A	6, 8
	142A-3637-1300	120 VAC	K t/c	1200°F	High limit	Automatic Reset	3A Relay	Fixed	Potted	LF C4KW 1200 AAAA A	6, 8
	142A-3637-1300	120 VAC	K t/c	649°C	High limit	Automatic Reset	3A Relay	Fixed	Potted	LF C4LW 0649 AAAA A	6, 8
	142A-3637-1400	120 VAC	K t/c	1200°F	On/Off	Heat	3A Relay	Fixed	Potted	CF C4KH 1200 AAAA A	6, 8
	142A-3637-1400	120 VAC	K t/c	649°C	On/Off	Heat	3A Relay	Fixed	Potted	CF C4LH 0649 AAAA A	6, 8
	142A-3637-2200	230 VAC	K t/c	1200°F	High limit	Manual Reset	3A Relay	Fixed	Potted	LF E4KU 1200 AAAA A	6, 8
	142A-3637-2200	230 VAC	K t/c	649°C	High limit	Manual Reset	3A Relay	Fixed	Potted	LF E4LU 0649 AAAA A	6, 8
	142A-3637-2300	230 VAC	K t/c	1200°F	High limit	Automatic Reset	3A Relay	Fixed	Potted	LF E4KW 1200 AAAA A	6, 8
	142A-3637-2300	230 VAC	K t/c	649°C	High limit	Automatic Reset	3A Relay	Fixed	Potted	LF E4LW 0649 AAAA A	6, 8
	142A-3637-2400	230 VAC	K t/c	1200°F	On/Off	Heat	3A Relay	Fixed	Potted	CF E4KH 1200 AAAA A	6, 8
	142A-3637-2400	230 VAC	K t/c	649°C	On/Off	Heat	3A Relay	Fixed	Potted	CF E4LH 0649 AAAA A	6, 8
	142A-3638-1200	120 VAC	K t/c	1250°F	High limit	Manual Reset	3A Relay	Fixed	Potted	LF C4KU 1250 AAAA A	6, 8
	142A-3638-1200	120 VAC	K t/c	677°C	High limit	Manual Reset	3A Relay	Fixed	Potted	LF C4LU 0677 AAAA A	6, 8
	142A-3638-1300	120 VAC	K t/c	1250°F	High limit	Automatic Reset	3A Relay	Fixed	Potted	LF C4KW 1250 AAAA A	6, 8
	142A-3638-1300	120 VAC	K t/c	677°C	High limit	Automatic Reset	3A Relay	Fixed	Potted	LF C4LW 0677 AAAA A	6, 8
	142A-3638-1400	120 VAC	K t/c	1250°F	On/Off	Heat	3A Relay	Fixed	Potted	CF C4KH 1250 AAAA A	6, 8
	142A-3638-1400	120 VAC	K t/c	677°C	On/Off	Heat	3A Relay	Fixed	Potted	CF C4LH 0677 AAAA A	6, 8
	142A-3638-2200	230 VAC	K t/c	1250°F	High limit	Manual Reset	3A Relay	Fixed	Potted	LF E4KU 1250 AAAA A	6, 8
	142A-3638-2200	230 VAC	K t/c	677°C	High limit	Manual Reset	3A Relay	Fixed	Potted	LF E4LU 0677 AAAA A	6, 8
	142A-3638-2300	230 VAC	K t/c	1250°F	High limit	Automatic Reset	3A Relay	Fixed	Potted	LF E4KW 1250 AAAA A	6, 8

Series 142

<u>Series 142</u>	Line	Voltage	Input	Temp Range	Control Mode	Action	Output	Set Point	Mounting	Retrofit	See Notes Below
142A-3638-2300	230 VAC	K t/c	677°C	High limit	Automatic Reset	3A Relay	Fixed	Potted	LF E4LW 0677 AAAAA	6, 8	
142A-3638-2400	230 VAC	K t/c	1250°F	On/Off	Heat	3A Relay	Fixed	Potted	CF E4KH 1250 AAAAA	6, 8	
142A-3638-2400	230 VAC	K t/c	677°C	On/Off	Heat	3A Relay	Fixed	Potted	CF E4LH 0677 AAAAA	6, 8	
142A-3639-1200	120 VAC	K t/c	1300°F	High limit	Manual Reset	3A Relay	Fixed	Potted	LF C4KU 1300 AAAAA	6, 8	
142A-3639-1200	120 VAC	K t/c	704°C	High limit	Manual Reset	3A Relay	Fixed	Potted	LF C4LU 0704 AAAAA	6, 8	
142A-3639-1300	120 VAC	K t/c	1300°F	High limit	Automatic Reset	3A Relay	Fixed	Potted	LF C4KW 1300 AAAAA	6, 8	
142A-3639-1300	120 VAC	K t/c	704°C	High limit	Automatic Reset	3A Relay	Fixed	Potted	LF C4LW 0704 AAAAA	6, 8	
142A-3639-1400	120 VAC	K t/c	1300°F	On/Off	Heat	3A Relay	Fixed	Potted	CF C4KH 1300 AAAAA	6, 8	
142A-3639-1400	120 VAC	K t/c	704°C	On/Off	Heat	3A Relay	Fixed	Potted	CF C4LH 0704 AAAAA	6, 8	
142A-3639-2200	230 VAC	K t/c	1300°F	High limit	Manual Reset	3A Relay	Fixed	Potted	LF E4KU 1300 AAAAA	6, 8	
142A-3639-2200	230 VAC	K t/c	704°C	High limit	Manual Reset	3A Relay	Fixed	Potted	LF E4LU 0704 AAAAA	6, 8	
142A-3639-2300	230 VAC	K t/c	1300°F	High limit	Automatic Reset	3A Relay	Fixed	Potted	LF E4KW 1300 AAAAA	6, 8	
142A-3639-2300	230 VAC	K t/c	704°C	High limit	Automatic Reset	3A Relay	Fixed	Potted	LF E4LW 0704 AAAAA	6, 8	
142A-3639-2400	230 VAC	K t/c	1300°F	On/Off	Heat	3A Relay	Fixed	Potted	CF E4KH 1300 AAAAA	6, 8	
142A-3639-2400	230 VAC	K t/c	704°C	On/Off	Heat	3A Relay	Fixed	Potted	CF E4LH 0704 AAAAA	6, 8	
142A-3640-1200	120 VAC	K t/c	1350°F	High limit	Manual Reset	3A Relay	Fixed	Potted	LF C4KU 1350 AAAAA	6, 8	
142A-3640-1200	120 VAC	K t/c	732°C	High limit	Manual Reset	3A Relay	Fixed	Potted	LF C4LU 0732 AAAAA	6, 8	
142A-3640-1300	120 VAC	K t/c	1350°F	High limit	Automatic Reset	3A Relay	Fixed	Potted	LF C4KW 1350 AAAAA	6, 8	
142A-3640-1300	120 VAC	K t/c	732°C	High limit	Automatic Reset	3A Relay	Fixed	Potted	LF C4LW 0732 AAAAA	6, 8	
142A-3640-1400	120 VAC	K t/c	1350°F	On/Off	Heat	3A Relay	Fixed	Potted	CF C4KH 1350 AAAAA	6, 8	
142A-3640-1400	120 VAC	K t/c	732°C	On/Off	Heat	3A Relay	Fixed	Potted	CF C4LH 0732 AAAAA	6, 8	
142A-3640-2200	230 VAC	K t/c	1350°F	High limit	Manual Reset	3A Relay	Fixed	Potted	LF E4KU 1350 AAAAA	6, 8	
142A-3640-2200	230 VAC	K t/c	732°C	High limit	Manual Reset	3A Relay	Fixed	Potted	LF E4LU 0732 AAAAA	6, 8	
142A-3640-2300	230 VAC	K t/c	1350°F	High limit	Automatic Reset	3A Relay	Fixed	Potted	LF E4KW 1350 AAAAA	6, 8	
142A-3640-2300	230 VAC	K t/c	732°C	High limit	Automatic Reset	3A Relay	Fixed	Potted	LF E4LW 0732 AAAAA	6, 8	
142A-3640-2400	230 VAC	K t/c	1350°F	On/Off	Heat	3A Relay	Fixed	Potted	CF E4KH 1350 AAAAA	6, 8	
142A-3640-2400	230 VAC	K t/c	732°C	On/Off	Heat	3A Relay	Fixed	Potted	CF E4LH 0732 AAAAA	6, 8	
142A-3641-1200	120 VAC	K t/c	1400°F	High limit	Manual Reset	3A Relay	Fixed	Potted	LF C4KU 1400 AAAAA	6, 8	
142A-3641-1200	120 VAC	K t/c	760°C	High limit	Manual Reset	3A Relay	Fixed	Potted	LF C4LU 0760 AAAAA	6, 8	
142A-3641-1300	120 VAC	K t/c	1400°F	High limit	Automatic Reset	3A Relay	Fixed	Potted	LF C4KW 1400 AAAAA	6, 8	
142A-3641-1300	120 VAC	K t/c	760°C	High limit	Automatic Reset	3A Relay	Fixed	Potted	LF C4LW 0760 AAAAA	6, 8	
142A-3641-1400	120 VAC	K t/c	1400°F	On/Off	Heat	3A Relay	Fixed	Potted	CF C4KH 1400 AAAAA	6, 8	
142A-3641-1400	120 VAC	K t/c	760°C	On/Off	Heat	3A Relay	Fixed	Potted	CF C4LH 0760 AAAAA	6, 8	
142A-3641-2200	230 VAC	K t/c	1400°F	High limit	Manual Reset	3A Relay	Fixed	Potted	LF E4KU 1400 AAAAA	6, 8	
142A-3641-2200	230 VAC	K t/c	760°C	High limit	Manual Reset	3A Relay	Fixed	Potted	LF E4LU 0760 AAAAA	6, 8	
142A-3641-2300	230 VAC	K t/c	1400°F	High limit	Automatic Reset	3A Relay	Fixed	Potted	LF E4KW 1400 AAAAA	6, 8	
142A-3641-2300	230 VAC	K t/c	760°C	High limit	Automatic Reset	3A Relay	Fixed	Potted	LF E4LW 0760 AAAAA	6, 8	
142A-3641-2400	230 VAC	K t/c	1400°F	On/Off	Heat	3A Relay	Fixed	Potted	CF E4KH 1400 AAAAA	6, 8	
142A-3641-2400	230 VAC	K t/c	760°C	On/Off	Heat	3A Relay	Fixed	Potted	CF E4LH 0760 AAAAA	6, 8	
142A-3642-1200	120 VAC	K t/c	1450°F	High limit	Manual Reset	3A Relay	Fixed	Potted	LF C4KU 1450 AAAAA	6, 8	
142A-3642-1200	120 VAC	K t/c	788°C	High limit	Manual Reset	3A Relay	Fixed	Potted	LF C4LU 0788 AAAAA	6, 8	

Series 142

<u>Series 142</u>	Line	Voltage	Input	Temp Range	Control Mode	Action	Output	Set Point	Mounting	Retrofit	See Notes Below
142A-3642-1300	120 VAC	K t/c	1450°F	High limit	Automatic Reset	3A Relay	Fixed	Potted	LF C4KW 1450 AAAA A	6, 8	
142A-3642-1300	120 VAC	K t/c	788°C	High limit	Automatic Reset	3A Relay	Fixed	Potted	LF C4LW 0788 AAAA A	6, 8	
142A-3642-1400	120 VAC	K t/c	1450°F	On/Off	Heat	3A Relay	Fixed	Potted	CF C4KH 1450 AAAA A	6, 8	
142A-3642-1400	120 VAC	K t/c	788°C	On/Off	Heat	3A Relay	Fixed	Potted	CF C4LH 0788 AAAA A	6, 8	
142A-3642-2200	230 VAC	K t/c	1450°F	High limit	Manual Reset	3A Relay	Fixed	Potted	LF E4KU 1450 AAAA A	6, 8	
142A-3642-2200	230 VAC	K t/c	788°C	High limit	Manual Reset	3A Relay	Fixed	Potted	LF E4LU 0788 AAAA A	6, 8	
142A-3642-2300	230 VAC	K t/c	1450°F	High limit	Automatic Reset	3A Relay	Fixed	Potted	LF E4KW 1450 AAAA A	6, 8	
142A-3642-2300	230 VAC	K t/c	788°C	High limit	Automatic Reset	3A Relay	Fixed	Potted	LF E4LW 0788 AAAA A	6, 8	
142A-3642-2400	230 VAC	K t/c	1450°F	On/Off	Heat	3A Relay	Fixed	Potted	CF E4KH 1450 AAAA A	6, 8	
142A-3642-2400	230 VAC	K t/c	788°C	On/Off	Heat	3A Relay	Fixed	Potted	CF E4LH 0788 AAAA A	6, 8	
142A-3643-1200	120 VAC	K t/c	1500°F	High limit	Manual Reset	3A Relay	Fixed	Potted	LF C4KU 1500 AAAA A	6, 8	
142A-3643-1200	120 VAC	K t/c	816°C	High limit	Manual Reset	3A Relay	Fixed	Potted	LF C4LU 0816 AAAA A	6, 8	
142A-3643-1300	120 VAC	K t/c	1500°F	High limit	Automatic Reset	3A Relay	Fixed	Potted	LF C4KW 1500 AAAA A	6, 8	
142A-3643-1300	120 VAC	K t/c	816°C	High limit	Automatic Reset	3A Relay	Fixed	Potted	LF C4LW 0816 AAAA A	6, 8	
142A-3643-1400	120 VAC	K t/c	1500°F	On/Off	Heat	3A Relay	Fixed	Potted	CF C4KH 1500 AAAA A	6, 8	
142A-3643-1400	120 VAC	K t/c	816°C	On/Off	Heat	3A Relay	Fixed	Potted	CF C4LH 0816 AAAA A	6, 8	
142A-3643-2200	230 VAC	K t/c	1500°F	High limit	Manual Reset	3A Relay	Fixed	Potted	LF E4KU 1500 AAAA A	6, 8	
142A-3643-2200	230 VAC	K t/c	816°C	High limit	Manual Reset	3A Relay	Fixed	Potted	LF E4LU 0816 AAAA A	6, 8	
142A-3643-2300	230 VAC	K t/c	1500°F	High limit	Automatic Reset	3A Relay	Fixed	Potted	LF E4KW 1500 AAAA A	6, 8	
142A-3643-2300	230 VAC	K t/c	816°C	High limit	Automatic Reset	3A Relay	Fixed	Potted	LF E4LW 0816 AAAA A	6, 8	
142A-3643-2400	230 VAC	K t/c	1500°F	On/Off	Heat	3A Relay	Fixed	Potted	CF E4KH 1500 AAAA A	6, 8	
142A-3643-2400	230 VAC	K t/c	816°C	On/Off	Heat	3A Relay	Fixed	Potted	CF E4LH 0816 AAAA A	6, 8	
142A-3644-1200	120 VAC	K t/c	1550°F	High limit	Manual Reset	3A Relay	Fixed	Potted	LF C4KU 1550 AAAA A	6, 8	
142A-3644-1200	120 VAC	K t/c	843°C	High limit	Manual Reset	3A Relay	Fixed	Potted	LF C4LU 0843 AAAA A	6, 8	
142A-3644-1300	120 VAC	K t/c	1550°F	High limit	Automatic Reset	3A Relay	Fixed	Potted	LF C4KW 1550 AAAA A	6, 8	
142A-3644-1300	120 VAC	K t/c	843°C	High limit	Automatic Reset	3A Relay	Fixed	Potted	LF C4LW 0843 AAAA A	6, 8	
142A-3644-1400	120 VAC	K t/c	1550°F	On/Off	Heat	3A Relay	Fixed	Potted	CF C4KH 1550 AAAA A	6, 8	
142A-3644-1400	120 VAC	K t/c	843°C	On/Off	Heat	3A Relay	Fixed	Potted	CF C4LH 0843 AAAA A	6, 8	
142A-3644-2200	230 VAC	K t/c	1550°F	High limit	Manual Reset	3A Relay	Fixed	Potted	LF E4KU 1550 AAAA A	6, 8	
142A-3644-2200	230 VAC	K t/c	843°C	High limit	Manual Reset	3A Relay	Fixed	Potted	LF E4LU 0843 AAAA A	6, 8	
142A-3644-2300	230 VAC	K t/c	1550°F	High limit	Automatic Reset	3A Relay	Fixed	Potted	LF E4KW 1550 AAAA A	6, 8	
142A-3644-2300	230 VAC	K t/c	843°C	High limit	Automatic Reset	3A Relay	Fixed	Potted	LF E4LW 0843 AAAA A	6, 8	
142A-3644-2400	230 VAC	K t/c	1550°F	On/Off	Heat	3A Relay	Fixed	Potted	CF E4KH 1550 AAAA A	6, 8	
142A-3644-2400	230 VAC	K t/c	843°C	On/Off	Heat	3A Relay	Fixed	Potted	CF E4LH 0843 AAAA A	6, 8	
142A-3645-1200	120 VAC	K t/c	1600°F	High limit	Manual Reset	3A Relay	Fixed	Potted	LF C4KU 1600 AAAA A	6, 8	
142A-3645-1200	120 VAC	K t/c	871°C	High limit	Manual Reset	3A Relay	Fixed	Potted	LF C4LU 0871 AAAA A	6, 8	
142A-3645-1300	120 VAC	K t/c	1600°F	High limit	Automatic Reset	3A Relay	Fixed	Potted	LF C4KW 1600 AAAA A	6, 8	
142A-3645-1300	120 VAC	K t/c	871°C	High limit	Automatic Reset	3A Relay	Fixed	Potted	LF C4LW 0871 AAAA A	6, 8	
142A-3645-1400	120 VAC	K t/c	1600°F	On/Off	Heat	3A Relay	Fixed	Potted	CF C4KH 1600 AAAA A	6, 8	
142A-3645-1400	120 VAC	K t/c	871°C	On/Off	Heat	3A Relay	Fixed	Potted	CF C4LH 0871 AAAA A	6, 8	
142A-3645-2200	230 VAC	K t/c	1600°F	High limit	Manual Reset	3A Relay	Fixed	Potted	LF E4KU 1600 AAAA A	6, 8	

Series 142

<u>Series 142</u>	Line	Voltage	Input	Temp Range	Control Mode	Action	Output	Set Point	Mounting	Retrofit	See Notes Below
	142A-3645-2200	230 VAC	K t/c	871°C	High limit	Manual Reset	3A Relay	Fixed	Potted	LF E4LU 0871 AAAA A	6, 8
	142A-3645-2300	230 VAC	K t/c	1600°F	High limit	Automatic Reset	3A Relay	Fixed	Potted	LF E4KW 1600 AAAA A	6, 8
	142A-3645-2300	230 VAC	K t/c	871°C	High limit	Automatic Reset	3A Relay	Fixed	Potted	LF E4LW 0871 AAAA A	6, 8
	142A-3645-2400	230 VAC	K t/c	1600°F	On/Off	Heat	3A Relay	Fixed	Potted	CF E4KH 1600 AAAA A	6, 8
	142A-3645-2400	230 VAC	K t/c	871°C	On/Off	Heat	3A Relay	Fixed	Potted	CF E4LH 0871 AAAA A	6, 8
	142A-3646-1200	120 VAC	K t/c	1650°F	High limit	Manual Reset	3A Relay	Fixed	Potted	LF C4KU 1650 AAAA A	6, 8
	142A-3646-1200	120 VAC	K t/c	899°C	High limit	Manual Reset	3A Relay	Fixed	Potted	LF C4LU 0899 AAAA A	6, 8
	142A-3646-1300	120 VAC	K t/c	1650°F	High limit	Automatic Reset	3A Relay	Fixed	Potted	LF C4KW 1650 AAAA A	6, 8
	142A-3646-1300	120 VAC	K t/c	899°C	High limit	Automatic Reset	3A Relay	Fixed	Potted	LF C4LW 0899 AAAA A	6, 8
	142A-3646-1400	120 VAC	K t/c	1650°F	On/Off	Heat	3A Relay	Fixed	Potted	CF C4KH 1650 AAAA A	6, 8
	142A-3646-1400	120 VAC	K t/c	899°C	On/Off	Heat	3A Relay	Fixed	Potted	CF C4LH 0899 AAAA A	6, 8
	142A-3646-2200	230 VAC	K t/c	1650°F	High limit	Manual Reset	3A Relay	Fixed	Potted	LF E4KU 1650 AAAA A	6, 8
	142A-3646-2200	230 VAC	K t/c	899°C	High limit	Manual Reset	3A Relay	Fixed	Potted	LF E4LU 0899 AAAA A	6, 8
	142A-3646-2300	230 VAC	K t/c	1650°F	High limit	Automatic Reset	3A Relay	Fixed	Potted	LF E4KW 1650 AAAA A	6, 8
	142A-3646-2300	230 VAC	K t/c	899°C	High limit	Automatic Reset	3A Relay	Fixed	Potted	LF E4LW 0899 AAAA A	6, 8
	142A-3646-2400	230 VAC	K t/c	1650°F	On/Off	Heat	3A Relay	Fixed	Potted	CF E4KH 1650 AAAA A	6, 8
	142A-3646-2400	230 VAC	K t/c	899°C	On/Off	Heat	3A Relay	Fixed	Potted	CF E4LH 0899 AAAA A	6, 8
	142A-3647-1200	120 VAC	K t/c	1700°F	High limit	Manual Reset	3A Relay	Fixed	Potted	LF C4KU 1700 AAAA A	6, 8
	142A-3647-1200	120 VAC	K t/c	927°C	High limit	Manual Reset	3A Relay	Fixed	Potted	LF C4LU 0927 AAAA A	6, 8
	142A-3647-1300	120 VAC	K t/c	1700°F	High limit	Automatic Reset	3A Relay	Fixed	Potted	LF C4KW 1700 AAAA A	6, 8
	142A-3647-1300	120 VAC	K t/c	927°C	High limit	Automatic Reset	3A Relay	Fixed	Potted	LF C4LW 0927 AAAA A	6, 8
	142A-3647-1400	120 VAC	K t/c	1700°F	On/Off	Heat	3A Relay	Fixed	Potted	CF C4KH 1700 AAAA A	6, 8
	142A-3647-1400	120 VAC	K t/c	927°C	On/Off	Heat	3A Relay	Fixed	Potted	CF C4LH 0927 AAAA A	6, 8
	142A-3647-2200	230 VAC	K t/c	1700°F	High limit	Manual Reset	3A Relay	Fixed	Potted	LF E4KU 1700 AAAA A	6, 8
	142A-3647-2200	230 VAC	K t/c	927°C	High limit	Manual Reset	3A Relay	Fixed	Potted	LF E4LU 0927 AAAA A	6, 8
	142A-3647-2300	230 VAC	K t/c	1700°F	High limit	Automatic Reset	3A Relay	Fixed	Potted	LF E4KW 1700 AAAA A	6, 8
	142A-3647-2300	230 VAC	K t/c	927°C	High limit	Automatic Reset	3A Relay	Fixed	Potted	LF E4LW 0927 AAAA A	6, 8
	142A-3647-2400	230 VAC	K t/c	1700°F	On/Off	Heat	3A Relay	Fixed	Potted	CF E4KH 1700 AAAA A	6, 8
	142A-3647-2400	230 VAC	K t/c	927°C	On/Off	Heat	3A Relay	Fixed	Potted	CF E4LH 0927 AAAA A	6, 8
	142A-3648-1200	120 VAC	K t/c	1750°F	High limit	Manual Reset	3A Relay	Fixed	Potted	LF C4KU 1750 AAAA A	6, 8
	142A-3648-1200	120 VAC	K t/c	954°C	High limit	Manual Reset	3A Relay	Fixed	Potted	LF C4LU 0954 AAAA A	6, 8
	142A-3648-1300	120 VAC	K t/c	1750°F	High limit	Automatic Reset	3A Relay	Fixed	Potted	LF C4KW 1750 AAAA A	6, 8
	142A-3648-1300	120 VAC	K t/c	954°C	High limit	Automatic Reset	3A Relay	Fixed	Potted	LF C4LW 0954 AAAA A	6, 8
	142A-3648-1400	120 VAC	K t/c	1750°F	On/Off	Heat	3A Relay	Fixed	Potted	CF C4KH 1750 AAAA A	6, 8
	142A-3648-1400	120 VAC	K t/c	954°C	On/Off	Heat	3A Relay	Fixed	Potted	CF C4LH 0954 AAAA A	6, 8
	142A-3648-2200	230 VAC	K t/c	1750°F	High limit	Manual Reset	3A Relay	Fixed	Potted	LF E4KU 1750 AAAA A	6, 8
	142A-3648-2200	230 VAC	K t/c	954°C	High limit	Manual Reset	3A Relay	Fixed	Potted	LF E4LU 0954 AAAA A	6, 8
	142A-3648-2300	230 VAC	K t/c	1750°F	High limit	Automatic Reset	3A Relay	Fixed	Potted	LF E4KW 1750 AAAA A	6, 8
	142A-3648-2300	230 VAC	K t/c	954°C	High limit	Automatic Reset	3A Relay	Fixed	Potted	LF E4LW 0954 AAAA A	6, 8
	142A-3648-2400	230 VAC	K t/c	1750°F	On/Off	Heat	3A Relay	Fixed	Potted	CF E4KH 1750 AAAA A	6, 8
	142A-3648-2400	230 VAC	K t/c	954°C	On/Off	Heat	3A Relay	Fixed	Potted	CF E4LH 0954 AAAA A	6, 8

Series 142

<u>Series 142</u>	Line	Voltage	Input	Temp Range	Control Mode	Action	Output	Set Point	Mounting	Retrofit	See Notes Below
142A-3649-1200	120 VAC	K t/c	1800°F	High limit	Manual Reset	3A Relay	Fixed	Potted	LF C4KU 1800 AAAA A	6, 8	
142A-3649-1200	120 VAC	K t/c	982°C	High limit	Manual Reset	3A Relay	Fixed	Potted	LF C4LU 0982 AAAA A	6, 8	
142A-3649-1300	120 VAC	K t/c	1800°F	High limit	Automatic Reset	3A Relay	Fixed	Potted	LF C4KW 1800 AAAA A	6, 8	
142A-3649-1300	120 VAC	K t/c	982°C	High limit	Automatic Reset	3A Relay	Fixed	Potted	LF C4LW 0982 AAAA A	6, 8	
142A-3649-1400	120 VAC	K t/c	1800°F	On/Off	Heat	3A Relay	Fixed	Potted	CF C4KH 1800 AAAA A	6, 8	
142A-3649-1400	120 VAC	K t/c	982°C	On/Off	Heat	3A Relay	Fixed	Potted	CF C4LH 0982 AAAA A	6, 8	
142A-3649-2200	230 VAC	K t/c	1800°F	High limit	Manual Reset	3A Relay	Fixed	Potted	LF E4KU 1800 AAAA A	6, 8	
142A-3649-2200	230 VAC	K t/c	982°C	High limit	Manual Reset	3A Relay	Fixed	Potted	LF E4LU 0982 AAAA A	6, 8	
142A-3649-2300	230 VAC	K t/c	1800°F	High limit	Automatic Reset	3A Relay	Fixed	Potted	LF E4KW 1800 AAAA A	6, 8	
142A-3649-2300	230 VAC	K t/c	982°C	High limit	Automatic Reset	3A Relay	Fixed	Potted	LF E4LW 0982 AAAA A	6, 8	
142A-3649-2400	230 VAC	K t/c	1800°F	On/Off	Heat	3A Relay	Fixed	Potted	CF E4KH 1800 AAAA A	6, 8	
142A-3649-2400	230 VAC	K t/c	982°C	On/Off	Heat	3A Relay	Fixed	Potted	CF E4LH 0982 AAAA A	6, 8	
142A-3650-1200	120 VAC	K t/c	1850°F	High limit	Manual Reset	3A Relay	Fixed	Potted	LF C4KU 1850 AAAA A	6, 8	
142A-3650-1200	120 VAC	K t/c	1010°C	High limit	Manual Reset	3A Relay	Fixed	Potted	LF C4LU 1010 AAAA A	6, 8	
142A-3650-1300	120 VAC	K t/c	1850°F	High limit	Automatic Reset	3A Relay	Fixed	Potted	LF C4KW 1850 AAAA A	6, 8	
142A-3650-1300	120 VAC	K t/c	1010°C	High limit	Automatic Reset	3A Relay	Fixed	Potted	LF C4LW 1010 AAAA A	6, 8	
142A-3650-1400	120 VAC	K t/c	1850°F	On/Off	Heat	3A Relay	Fixed	Potted	CF C4KH 1850 AAAA A	6, 8	
142A-3650-1400	120 VAC	K t/c	1010°C	On/Off	Heat	3A Relay	Fixed	Potted	CF C4LH 1010 AAAA A	6, 8	
142A-3650-2200	230 VAC	K t/c	1850°F	High limit	Manual Reset	3A Relay	Fixed	Potted	LF E4KU 1850 AAAA A	6, 8	
142A-3650-2200	230 VAC	K t/c	1010°C	High limit	Manual Reset	3A Relay	Fixed	Potted	LF E4LU 1010 AAAA A	6, 8	
142A-3650-2300	230 VAC	K t/c	1850°F	High limit	Automatic Reset	3A Relay	Fixed	Potted	LF E4KW 1850 AAAA A	6, 8	
142A-3650-2300	230 VAC	K t/c	1010°C	High limit	Automatic Reset	3A Relay	Fixed	Potted	LF E4LW 1010 AAAA A	6, 8	
142A-3650-2400	230 VAC	K t/c	1850°F	On/Off	Heat	3A Relay	Fixed	Potted	CF E4KH 1850 AAAA A	6, 8	
142A-3650-2400	230 VAC	K t/c	1010°C	On/Off	Heat	3A Relay	Fixed	Potted	CF E4LH 1010 AAAA A	6, 8	
142A-3651-1200	120 VAC	K t/c	1900°F	High limit	Manual Reset	3A Relay	Fixed	Potted	LF C4KU 1900 AAAA A	6, 8	
142A-3651-1200	120 VAC	K t/c	1038°C	High limit	Manual Reset	3A Relay	Fixed	Potted	LF C4LU 1038 AAAA A	6, 8	
142A-3651-1300	120 VAC	K t/c	1900°F	High limit	Automatic Reset	3A Relay	Fixed	Potted	LF C4KW 1900 AAAA A	6, 8	
142A-3651-1300	120 VAC	K t/c	1038°C	High limit	Automatic Reset	3A Relay	Fixed	Potted	LF C4LW 1038 AAAA A	6, 8	
142A-3651-1400	120 VAC	K t/c	1900°F	On/Off	Heat	3A Relay	Fixed	Potted	CF C4KH 1900 AAAA A	6, 8	
142A-3651-1400	120 VAC	K t/c	1038°C	On/Off	Heat	3A Relay	Fixed	Potted	CF C4LH 1038 AAAA A	6, 8	
142A-3651-2200	230 VAC	K t/c	1900°F	High limit	Manual Reset	3A Relay	Fixed	Potted	LF E4KU 1900 AAAA A	6, 8	
142A-3651-2200	230 VAC	K t/c	1038°C	High limit	Manual Reset	3A Relay	Fixed	Potted	LF E4LU 1038 AAAA A	6, 8	
142A-3651-2300	230 VAC	K t/c	1900°F	High limit	Automatic Reset	3A Relay	Fixed	Potted	LF E4KW 1900 AAAA A	6, 8	
142A-3651-2300	230 VAC	K t/c	1038°C	High limit	Automatic Reset	3A Relay	Fixed	Potted	LF E4LW 1038 AAAA A	6, 8	
142A-3651-2400	230 VAC	K t/c	1900°F	On/Off	Heat	3A Relay	Fixed	Potted	CF E4KH 1900 AAAA A	6, 8	
142A-3651-2400	230 VAC	K t/c	1038°C	On/Off	Heat	3A Relay	Fixed	Potted	CF E4LH 1038 AAAA A	6, 8	
142A-3652-1200	120 VAC	K t/c	1950°F	High limit	Manual Reset	3A Relay	Fixed	Potted	LF C4KU 1950 AAAA A	6, 8	
142A-3652-1200	120 VAC	K t/c	1066°C	High limit	Manual Reset	3A Relay	Fixed	Potted	LF C4LU 1066 AAAA A	6, 8	
142A-3652-1300	120 VAC	K t/c	1950°F	High limit	Automatic Reset	3A Relay	Fixed	Potted	LF C4KW 1950 AAAA A	6, 8	
142A-3652-1300	120 VAC	K t/c	1066°C	High limit	Automatic Reset	3A Relay	Fixed	Potted	LF C4LW 1066 AAAA A	6, 8	
142A-3652-1400	120 VAC	K t/c	1950°F	On/Off	Heat	3A Relay	Fixed	Potted	CF C4KH 1950 AAAA A	6, 8	

Series 142

<u>Series 142</u>	Line	Voltage	Input	Temp Range	Control Mode	Action	Output	Set Point	Mounting	Retrofit	See Notes Below
	142A-3652-1400	120 VAC	K t/c	1066°C	On/Off	Heat	3A Relay	Fixed	Potted	CF C4LH 1066 AAAA A	6, 8
	142A-3652-2200	230 VAC	K t/c	1950°F	High limit	Manual Reset	3A Relay	Fixed	Potted	LF E4KU 1950 AAAA A	6, 8
	142A-3652-2200	230 VAC	K t/c	1066°C	High limit	Manual Reset	3A Relay	Fixed	Potted	LF E4LU 1066 AAAA A	6, 8
	142A-3652-2300	230 VAC	K t/c	1950°F	High limit	Automatic Reset	3A Relay	Fixed	Potted	LF E4KW 1950 AAAA A	6, 8
	142A-3652-2300	230 VAC	K t/c	1066°C	High limit	Automatic Reset	3A Relay	Fixed	Potted	LF E4LW 1066 AAAA A	6, 8
	142A-3652-2400	230 VAC	K t/c	1950°F	On/Off	Heat	3A Relay	Fixed	Potted	CF E4KH 1950 AAAA A	6, 8
	142A-3652-2400	230 VAC	K t/c	1066°C	On/Off	Heat	3A Relay	Fixed	Potted	CF E4LH 1066 AAAA A	6, 8
	142A-3653-1200	120 VAC	J t/c	115°F	High limit	Manual Reset	3A Relay	Fixed	Potted	LF C4HU 0115 AAAA A	6, 8
	142A-3653-1200	120 VAC	J t/c	46°C	High limit	Manual Reset	3A Relay	Fixed	Potted	LF C4JU 0046 AAAA A	6, 8
	142A-3653-1300	120 VAC	J t/c	115°F	High limit	Automatic Reset	3A Relay	Fixed	Potted	LF C4HW 0115 AAAA A	6, 8
	142A-3653-1300	120 VAC	J t/c	46°C	High limit	Automatic Reset	3A Relay	Fixed	Potted	LF C4JW 0046 AAAA A	6, 8
	142A-3653-1400	120 VAC	J t/c	115°F	On/Off	Heat	3A Relay	Fixed	Potted	CF C4HH 0115 AAAA A	6, 8
	142A-3653-1400	120 VAC	J t/c	46°C	On/Off	Heat	3A Relay	Fixed	Potted	CF C4JH 0046 AAAA A	6, 8
	142A-3653-2200	230 VAC	J t/c	115°F	High limit	Manual Reset	3A Relay	Fixed	Potted	LF E4HU 0115 AAAA A	6, 8
	142A-3653-2200	230 VAC	J t/c	46°C	High limit	Manual Reset	3A Relay	Fixed	Potted	LF E4JU 0046 AAAA A	6, 8
	142A-3653-2300	230 VAC	J t/c	115°F	High limit	Automatic Reset	3A Relay	Fixed	Potted	LF E4HW 0115 AAAA A	6, 8
	142A-3653-2300	230 VAC	J t/c	46°C	High limit	Automatic Reset	3A Relay	Fixed	Potted	LF E4JW 0046 AAAA A	6, 8
	142A-3653-2400	230 VAC	J t/c	115°F	On/Off	Heat	3A Relay	Fixed	Potted	CF E4HH 0115 AAAA A	6, 8
	142A-3653-2400	230 VAC	J t/c	46°C	On/Off	Heat	3A Relay	Fixed	Potted	CF E4JH 0046 AAAA A	6, 8
	142A-3654-1200	120 VAC	K t/c	2050°F	High limit	Manual Reset	3A Relay	Fixed	Potted	LF C4KU 2050 AAAA A	6, 8
	142A-3654-1200	120 VAC	K t/c	1121°C	High limit	Manual Reset	3A Relay	Fixed	Potted	LF C4LU 1121 AAAA A	6, 8
	142A-3654-1300	120 VAC	K t/c	2050°F	High limit	Automatic Reset	3A Relay	Fixed	Potted	LF C4KW 2050 AAAA A	6, 8
	142A-3654-1300	120 VAC	K t/c	1121°C	High limit	Automatic Reset	3A Relay	Fixed	Potted	LF C4LW 1121 AAAA A	6, 8
	142A-3654-1400	120 VAC	K t/c	2050°F	On/Off	Heat	3A Relay	Fixed	Potted	CF C4KH 2050 AAAA A	6, 8
	142A-3654-1400	120 VAC	K t/c	1121°C	On/Off	Heat	3A Relay	Fixed	Potted	CF C4LH 1121 AAAA A	6, 8
	142A-3654-2200	230 VAC	K t/c	2050°F	High limit	Manual Reset	3A Relay	Fixed	Potted	LF E4KU 2050 AAAA A	6, 8
	142A-3654-2200	230 VAC	K t/c	1121°C	High limit	Manual Reset	3A Relay	Fixed	Potted	LF E4LU 1121 AAAA A	6, 8
	142A-3654-2300	230 VAC	K t/c	2050°F	High limit	Automatic Reset	3A Relay	Fixed	Potted	LF E4KW 2050 AAAA A	6, 8
	142A-3654-2300	230 VAC	K t/c	1121°C	High limit	Automatic Reset	3A Relay	Fixed	Potted	LF E4LW 1121 AAAA A	6, 8
	142A-3654-2400	230 VAC	K t/c	2050°F	On/Off	Heat	3A Relay	Fixed	Potted	CF E4KH 2050 AAAA A	6, 8
	142A-3654-2400	230 VAC	K t/c	1121°C	On/Off	Heat	3A Relay	Fixed	Potted	CF E4LH 1121 AAAA A	6, 8
	142A-3655-1200	120 VAC	K t/c	2100°F	High limit	Manual Reset	3A Relay	Fixed	Potted	LF C4KU 2100 AAAA A	6, 8
	142A-3655-1200	120 VAC	K t/c	1149°C	High limit	Manual Reset	3A Relay	Fixed	Potted	LF C4LU 1149 AAAA A	6, 8
	142A-3655-1300	120 VAC	K t/c	2100°F	High limit	Automatic Reset	3A Relay	Fixed	Potted	LF C4KW 2100 AAAA A	6, 8
	142A-3655-1300	120 VAC	K t/c	1149°C	High limit	Automatic Reset	3A Relay	Fixed	Potted	LF C4LW 1149 AAAA A	6, 8
	142A-3655-1400	120 VAC	K t/c	2100°F	On/Off	Heat	3A Relay	Fixed	Potted	CF C4KH 2100 AAAA A	6, 8
	142A-3655-1400	120 VAC	K t/c	1149°C	On/Off	Heat	3A Relay	Fixed	Potted	CF C4LH 1149 AAAA A	6, 8
	142A-3655-2200	230 VAC	K t/c	2100°F	High limit	Manual Reset	3A Relay	Fixed	Potted	LF E4KU 2100 AAAA A	6, 8
	142A-3655-2200	230 VAC	K t/c	1149°C	High limit	Manual Reset	3A Relay	Fixed	Potted	LF E4LU 1149 AAAA A	6, 8
	142A-3655-2300	230 VAC	K t/c	2100°F	High limit	Automatic Reset	3A Relay	Fixed	Potted	LF E4KW 2100 AAAA A	6, 8
	142A-3655-2300	230 VAC	K t/c	1149°C	High limit	Automatic Reset	3A Relay	Fixed	Potted	LF E4LW 1149 AAAA A	6, 8

Series 142

<u>Series 142</u>	Line	Voltage	Input	Temp Range	Control Mode	Action	Output	Set Point	Mounting	Retrofit	See Notes Below
	142A-3655-2400	230 VAC	K t/c	2100°F	On/Off	Heat	3A Relay	Fixed	Potted	CF E4KH 2100 AAAA A	6, 8
	142A-3655-2400	230 VAC	K t/c	1149°C	On/Off	Heat	3A Relay	Fixed	Potted	CF E4LH 1149 AAAA A	6, 8
	142A-3656-1200	120 VAC	K t/c	2150°F	High limit	Manual Reset	3A Relay	Fixed	Potted	LF C4KU 2150 AAAA A	6, 8
	142A-3656-1200	120 VAC	K t/c	1177°C	High limit	Manual Reset	3A Relay	Fixed	Potted	LF C4LU 1177 AAAA A	6, 8
	142A-3656-1300	120 VAC	K t/c	2150°F	High limit	Automatic Reset	3A Relay	Fixed	Potted	LF C4KW 2150 AAAA A	6, 8
	142A-3656-1300	120 VAC	K t/c	1177°C	High limit	Automatic Reset	3A Relay	Fixed	Potted	LF C4LW 1177 AAAA A	6, 8
	142A-3656-1400	120 VAC	K t/c	2150°F	On/Off	Heat	3A Relay	Fixed	Potted	CF C4KH 2150 AAAA A	6, 8
	142A-3656-1400	120 VAC	K t/c	1177°C	On/Off	Heat	3A Relay	Fixed	Potted	CF C4LH 1177 AAAA A	6, 8
	142A-3656-2200	230 VAC	K t/c	2150°F	High limit	Manual Reset	3A Relay	Fixed	Potted	LF E4KU 2150 AAAA A	6, 8
	142A-3656-2200	230 VAC	K t/c	1177°C	High limit	Manual Reset	3A Relay	Fixed	Potted	LF E4LU 1177 AAAA A	6, 8
	142A-3656-2300	230 VAC	K t/c	2150°F	High limit	Automatic Reset	3A Relay	Fixed	Potted	LF E4KW 2150 AAAA A	6, 8
	142A-3656-2300	230 VAC	K t/c	1177°C	High limit	Automatic Reset	3A Relay	Fixed	Potted	LF E4LW 1177 AAAA A	6, 8
	142A-3656-2400	230 VAC	K t/c	2150°F	On/Off	Heat	3A Relay	Fixed	Potted	CF E4KH 2150 AAAA A	6, 8
	142A-3656-2400	230 VAC	K t/c	1177°C	On/Off	Heat	3A Relay	Fixed	Potted	CF E4LH 1177 AAAA A	6, 8
	142A-3657-1200	120 VAC	K t/c	2200°F	High limit	Manual Reset	3A Relay	Fixed	Potted	LF C4KU 2200 AAAA A	6, 8
	142A-3657-1200	120 VAC	K t/c	1204°C	High limit	Manual Reset	3A Relay	Fixed	Potted	LF C4LU 1204 AAAA A	6, 8
	142A-3657-1300	120 VAC	K t/c	2200°F	High limit	Automatic Reset	3A Relay	Fixed	Potted	LF C4KW 2200 AAAA A	6, 8
	142A-3657-1300	120 VAC	K t/c	1204°C	High limit	Automatic Reset	3A Relay	Fixed	Potted	LF C4LW 1204 AAAA A	6, 8
	142A-3657-1400	120 VAC	K t/c	2200°F	On/Off	Heat	3A Relay	Fixed	Potted	CF C4KH 2200 AAAA A	6, 8
	142A-3657-1400	120 VAC	K t/c	1204°C	On/Off	Heat	3A Relay	Fixed	Potted	CF C4LH 1204 AAAA A	6, 8
	142A-3657-2200	230 VAC	K t/c	2200°F	High limit	Manual Reset	3A Relay	Fixed	Potted	LF E4KU 2200 AAAA A	6, 8
	142A-3657-2200	230 VAC	K t/c	1204°C	High limit	Manual Reset	3A Relay	Fixed	Potted	LF E4LU 1204 AAAA A	6, 8
	142A-3657-2300	230 VAC	K t/c	2200°F	High limit	Automatic Reset	3A Relay	Fixed	Potted	LF E4KW 2200 AAAA A	6, 8
	142A-3657-2300	230 VAC	K t/c	1204°C	High limit	Automatic Reset	3A Relay	Fixed	Potted	LF E4LW 1204 AAAA A	6, 8
	142A-3657-2400	230 VAC	K t/c	2200°F	On/Off	Heat	3A Relay	Fixed	Potted	CF E4KH 2200 AAAA A	6, 8
	142A-3657-2400	230 VAC	K t/c	1204°C	On/Off	Heat	3A Relay	Fixed	Potted	CF E4LH 1204 AAAA A	6, 8
	142A-3658-1200	120 VAC	K t/c	2250°F	High limit	Manual Reset	3A Relay	Fixed	Potted	LF C4KU 2250 AAAA A	6, 8
	142A-3658-1200	120 VAC	K t/c	1232°C	High limit	Manual Reset	3A Relay	Fixed	Potted	LF C4LU 1232 AAAA A	6, 8
	142A-3658-1300	120 VAC	K t/c	2250°F	High limit	Automatic Reset	3A Relay	Fixed	Potted	LF C4KW 2250 AAAA A	6, 8
	142A-3658-1300	120 VAC	K t/c	1232°C	High limit	Automatic Reset	3A Relay	Fixed	Potted	LF C4LW 1232 AAAA A	6, 8
	142A-3658-1400	120 VAC	K t/c	2250°F	On/Off	Heat	3A Relay	Fixed	Potted	CF C4KH 2250 AAAA A	6, 8
	142A-3658-1400	120 VAC	K t/c	1232°C	On/Off	Heat	3A Relay	Fixed	Potted	CF C4LH 1232 AAAA A	6, 8
	142A-3658-2200	230 VAC	K t/c	2250°F	High limit	Manual Reset	3A Relay	Fixed	Potted	LF E4KU 2250 AAAA A	6, 8
	142A-3658-2200	230 VAC	K t/c	1232°C	High limit	Manual Reset	3A Relay	Fixed	Potted	LF E4LU 1232 AAAA A	6, 8
	142A-3658-2300	230 VAC	K t/c	2250°F	High limit	Automatic Reset	3A Relay	Fixed	Potted	LF E4KW 2250 AAAA A	6, 8
	142A-3658-2300	230 VAC	K t/c	1232°C	High limit	Automatic Reset	3A Relay	Fixed	Potted	LF E4LW 1232 AAAA A	6, 8
	142A-3658-2400	230 VAC	K t/c	2250°F	On/Off	Heat	3A Relay	Fixed	Potted	CF E4KH 2250 AAAA A	6, 8
	142A-3658-2400	230 VAC	K t/c	1232°C	On/Off	Heat	3A Relay	Fixed	Potted	CF E4LH 1232 AAAA A	6, 8
	142A-3659-1200	120 VAC	K t/c	2300°F	High limit	Manual Reset	3A Relay	Fixed	Potted	LF C4KU 2300 AAAA A	6, 8
	142A-3659-1200	120 VAC	K t/c	1260°C	High limit	Manual Reset	3A Relay	Fixed	Potted	LF C4LU 1260 AAAA A	6, 8
	142A-3659-1300	120 VAC	K t/c	2300°F	High limit	Automatic Reset	3A Relay	Fixed	Potted	LF C4KW 2300 AAAA A	6, 8

Series 142

<u>Series 142</u>	Line	Voltage	Input	Temp Range	Control Mode	Action	Output	Set Point	Mounting	Retrofit	See Notes Below
	142A-3659-1300	120 VAC	K t/c	1260°C	High limit	Automatic Reset	3A Relay	Fixed	Potted	LF C4LW 1260 AAAA A	6, 8
	142A-3659-1400	120 VAC	K t/c	2300°F	On/Off	Heat	3A Relay	Fixed	Potted	CF C4KH 2300 AAAA A	6, 8
	142A-3659-1400	120 VAC	K t/c	1260°C	On/Off	Heat	3A Relay	Fixed	Potted	CF C4LH 1260 AAAA A	6, 8
	142A-3659-2200	230 VAC	K t/c	2300°F	High limit	Manual Reset	3A Relay	Fixed	Potted	LF E4KU 2300 AAAA A	6, 8
	142A-3659-2200	230 VAC	K t/c	1260°C	High limit	Manual Reset	3A Relay	Fixed	Potted	LF E4LU 1260 AAAA A	6, 8
	142A-3659-2300	230 VAC	K t/c	2300°F	High limit	Automatic Reset	3A Relay	Fixed	Potted	LF E4KW 2300 AAAA A	6, 8
	142A-3659-2300	230 VAC	K t/c	1260°C	High limit	Automatic Reset	3A Relay	Fixed	Potted	LF E4LW 1260 AAAA A	6, 8
	142A-3659-2400	230 VAC	K t/c	2300°F	On/Off	Heat	3A Relay	Fixed	Potted	CF E4KH 2300 AAAA A	6, 8
	142A-3659-2400	230 VAC	K t/c	1260°C	On/Off	Heat	3A Relay	Fixed	Potted	CF E4LH 1260 AAAA A	6, 8
	142A-3660-1200	120 VAC	K t/c	2350°F	High limit	Manual Reset	3A Relay	Fixed	Potted	LF C4KU 2350 AAAA A	6, 8
	142A-3660-1200	120 VAC	K t/c	1288°C	High limit	Manual Reset	3A Relay	Fixed	Potted	LF C4LU 1288 AAAA A	6, 8
	142A-3660-1300	120 VAC	K t/c	2350°F	High limit	Automatic Reset	3A Relay	Fixed	Potted	LF C4KW 2350 AAAA A	6, 8
	142A-3660-1300	120 VAC	K t/c	1288°C	High limit	Automatic Reset	3A Relay	Fixed	Potted	LF C4LW 1288 AAAA A	6, 8
	142A-3660-1400	120 VAC	K t/c	2350°F	On/Off	Heat	3A Relay	Fixed	Potted	CF C4KH 2350 AAAA A	6, 8
	142A-3660-1400	120 VAC	K t/c	1288°C	On/Off	Heat	3A Relay	Fixed	Potted	CF C4LH 1288 AAAA A	6, 8
	142A-3660-2200	230 VAC	K t/c	2350°F	High limit	Manual Reset	3A Relay	Fixed	Potted	LF E4KU 2350 AAAA A	6, 8
	142A-3660-2200	230 VAC	K t/c	1288°C	High limit	Manual Reset	3A Relay	Fixed	Potted	LF E4LU 1288 AAAA A	6, 8
	142A-3660-2300	230 VAC	K t/c	2350°F	High limit	Automatic Reset	3A Relay	Fixed	Potted	LF E4KW 2350 AAAA A	6, 8
	142A-3660-2300	230 VAC	K t/c	1288°C	High limit	Automatic Reset	3A Relay	Fixed	Potted	LF E4LW 1288 AAAA A	6, 8
	142A-3660-2400	230 VAC	K t/c	2350°F	On/Off	Heat	3A Relay	Fixed	Potted	CF E4KH 2350 AAAA A	6, 8
	142A-3660-2400	230 VAC	K t/c	1288°C	On/Off	Heat	3A Relay	Fixed	Potted	CF E4LH 1288 AAAA A	6, 8
	142A-3661-1200	120 VAC	K t/c	2400°F	High limit	Manual Reset	3A Relay	Fixed	Potted	LF C4KU 2400 AAAA A	6, 8
	142A-3661-1200	120 VAC	K t/c	1316°C	High limit	Manual Reset	3A Relay	Fixed	Potted	LF C4LU 1316 AAAA A	6, 8
	142A-3661-1300	120 VAC	K t/c	2400°F	High limit	Automatic Reset	3A Relay	Fixed	Potted	LF C4KW 2400 AAAA A	6, 8
	142A-3661-1300	120 VAC	K t/c	1316°C	High limit	Automatic Reset	3A Relay	Fixed	Potted	LF C4LW 1316 AAAA A	6, 8
	142A-3661-1400	120 VAC	K t/c	2400°F	On/Off	Heat	3A Relay	Fixed	Potted	CF C4KH 2400 AAAA A	6, 8
	142A-3661-1400	120 VAC	K t/c	1316°C	On/Off	Heat	3A Relay	Fixed	Potted	CF C4LH 1316 AAAA A	6, 8
	142A-3661-2200	230 VAC	K t/c	2400°F	High limit	Manual Reset	3A Relay	Fixed	Potted	LF E4KU 2400 AAAA A	6, 8
	142A-3661-2200	230 VAC	K t/c	1316°C	High limit	Manual Reset	3A Relay	Fixed	Potted	LF E4LU 1316 AAAA A	6, 8
	142A-3661-2300	230 VAC	K t/c	2400°F	High limit	Automatic Reset	3A Relay	Fixed	Potted	LF E4KW 2400 AAAA A	6, 8
	142A-3661-2300	230 VAC	K t/c	1316°C	High limit	Automatic Reset	3A Relay	Fixed	Potted	LF E4LW 1316 AAAA A	6, 8
	142A-3661-2400	230 VAC	K t/c	2400°F	On/Off	Heat	3A Relay	Fixed	Potted	CF E4KH 2400 AAAA A	6, 8
	142A-3661-2400	230 VAC	K t/c	1316°C	On/Off	Heat	3A Relay	Fixed	Potted	CF E4LH 1316 AAAA A	6, 8
	142A-3662-1200	120 VAC	K t/c	2450°F	High limit	Manual Reset	3A Relay	Fixed	Potted	LF C4KU 2450 AAAA A	6, 8
	142A-3662-1200	120 VAC	K t/c	1343°C	High limit	Manual Reset	3A Relay	Fixed	Potted	LF C4LU 1343 AAAA A	6, 8
	142A-3662-1300	120 VAC	K t/c	2450°F	High limit	Automatic Reset	3A Relay	Fixed	Potted	LF C4KW 2450 AAAA A	6, 8
	142A-3662-1300	120 VAC	K t/c	1343°C	High limit	Automatic Reset	3A Relay	Fixed	Potted	LF C4LW 1343 AAAA A	6, 8
	142A-3662-1400	120 VAC	K t/c	2450°F	On/Off	Heat	3A Relay	Fixed	Potted	CF C4KH 2450 AAAA A	6, 8
	142A-3662-1400	120 VAC	K t/c	1343°C	On/Off	Heat	3A Relay	Fixed	Potted	CF C4LH 1343 AAAA A	6, 8
	142A-3662-2200	230 VAC	K t/c	2450°F	High limit	Manual Reset	3A Relay	Fixed	Potted	LF E4KU 2450 AAAA A	6, 8
	142A-3662-2200	230 VAC	K t/c	1343°C	High limit	Manual Reset	3A Relay	Fixed	Potted	LF E4LU 1343 AAAA A	6, 8

Series 142

<u>Series 142</u>	Line	Voltage	Input	Temp Range	Control Mode	Action	Output	Set Point	Mounting	Retrofit	See Notes Below
	142A-3662-2300	230 VAC	K t/c	2450°F	High limit	Automatic Reset	3A Relay	Fixed	Potted	LF E4KW 2450 AAAA A	6, 8
	142A-3662-2300	230 VAC	K t/c	1343°C	High limit	Automatic Reset	3A Relay	Fixed	Potted	LF E4LW 1343 AAAA A	6, 8
	142A-3662-2400	230 VAC	K t/c	2450°F	On/Off	Heat	3A Relay	Fixed	Potted	CF E4KH 2450 AAAA A	6, 8
	142A-3662-2400	230 VAC	K t/c	1343°C	On/Off	Heat	3A Relay	Fixed	Potted	CF E4LH 1343 AAAA A	6, 8
	142A-3663-1200	120 VAC	K t/c	2500°F	High limit	Manual Reset	3A Relay	Fixed	Potted	LF C4KU 2500 AAAA A	6, 8
	142A-3663-1200	120 VAC	K t/c	1371°C	High limit	Manual Reset	3A Relay	Fixed	Potted	LF C4LU 1371 AAAA A	6, 8
	142A-3663-1300	120 VAC	K t/c	2500°F	High limit	Automatic Reset	3A Relay	Fixed	Potted	LF C4KW 2500 AAAA A	6, 8
	142A-3663-1300	120 VAC	K t/c	1371°C	High limit	Automatic Reset	3A Relay	Fixed	Potted	LF C4LW 1371 AAAA A	6, 8
	142A-3663-1400	120 VAC	K t/c	2500°F	On/Off	Heat	3A Relay	Fixed	Potted	CF C4KH 2500 AAAA A	6, 8
	142A-3663-1400	120 VAC	K t/c	1371°C	On/Off	Heat	3A Relay	Fixed	Potted	CF C4LH 1371 AAAA A	6, 8
	142A-3663-2200	230 VAC	K t/c	2500°F	High limit	Manual Reset	3A Relay	Fixed	Potted	LF E4KU 2500 AAAA A	6, 8
	142A-3663-2200	230 VAC	K t/c	1371°C	High limit	Manual Reset	3A Relay	Fixed	Potted	LF E4LU 1371 AAAA A	6, 8
	142A-3663-2300	230 VAC	K t/c	2500°F	High limit	Automatic Reset	3A Relay	Fixed	Potted	LF E4KW 2500 AAAA A	6, 8
	142A-3663-2300	230 VAC	K t/c	1371°C	High limit	Automatic Reset	3A Relay	Fixed	Potted	LF E4LW 1371 AAAA A	6, 8
	142A-3663-2400	230 VAC	K t/c	2500°F	On/Off	Heat	3A Relay	Fixed	Potted	CF E4KH 2500 AAAA A	6, 8
	142A-3663-2400	230 VAC	K t/c	1371°C	On/Off	Heat	3A Relay	Fixed	Potted	CF E4LH 1371 AAAA A	6, 8
	142A-3664-1200	120 VAC	E t/c	1050°F	High limit	Manual Reset	3A Relay	Fixed	Potted	LF C4SU 1050 AAAA A	6, 8
	142A-3664-1200	120 VAC	E t/c	566°C	High limit	Manual Reset	3A Relay	Fixed	Potted	LF C4TU 0566 AAAA A	6, 8
	142A-3664-1300	120 VAC	E t/c	1050°F	High limit	Automatic Reset	3A Relay	Fixed	Potted	LF C4SW 1050 AAAA A	6, 8
	142A-3664-1300	120 VAC	E t/c	566°C	High limit	Automatic Reset	3A Relay	Fixed	Potted	LF C4TW 0566 AAAA A	6, 8
	142A-3664-1400	120 VAC	E t/c	1050°F	On/Off	Heat	3A Relay	Fixed	Potted	CF C4SH 1050 AAAA A	6, 8
	142A-3664-1400	120 VAC	E t/c	566°C	On/Off	Heat	3A Relay	Fixed	Potted	CF C4TH 0566 AAAA A	6, 8
	142A-3664-2200	230 VAC	E t/c	1050°F	High limit	Manual Reset	3A Relay	Fixed	Potted	LF E4SU 1050 AAAA A	6, 8
	142A-3664-2200	230 VAC	E t/c	566°C	High limit	Manual Reset	3A Relay	Fixed	Potted	LF E4TU 0566 AAAA A	6, 8
	142A-3664-2300	230 VAC	E t/c	1050°F	High limit	Automatic Reset	3A Relay	Fixed	Potted	LF E4SW 1050 AAAA A	6, 8
	142A-3664-2300	230 VAC	E t/c	566°C	High limit	Automatic Reset	3A Relay	Fixed	Potted	LF E4TW 0566 AAAA A	6, 8
	142A-3664-2400	230 VAC	E t/c	1050°F	On/Off	Heat	3A Relay	Fixed	Potted	CF E4SH 1050 AAAA A	6, 8
	142A-3664-2400	230 VAC	E t/c	566°C	On/Off	Heat	3A Relay	Fixed	Potted	CF E4TH 0566 AAAA A	6, 8
	142A-3665-1200	120 VAC	K t/c	400°F	High limit	Manual Reset	3A Relay	Fixed	Potted	LF C4KU 0400 AAAA A	6, 8
	142A-3665-1200	120 VAC	K t/c	204°C	High limit	Manual Reset	3A Relay	Fixed	Potted	LF C4LU 0204 AAAA A	6, 8
	142A-3665-1300	120 VAC	K t/c	400°F	High limit	Automatic Reset	3A Relay	Fixed	Potted	LF C4KW 0400 AAAA A	6, 8
	142A-3665-1300	120 VAC	K t/c	204°C	High limit	Automatic Reset	3A Relay	Fixed	Potted	LF C4LW 0204 AAAA A	6, 8
	142A-3665-1400	120 VAC	K t/c	400°F	On/Off	Heat	3A Relay	Fixed	Potted	CF C4KH 0400 AAAA A	6, 8
	142A-3665-1400	120 VAC	K t/c	204°C	On/Off	Heat	3A Relay	Fixed	Potted	CF C4LH 0204 AAAA A	6, 8
	142A-3665-2200	230 VAC	K t/c	400°F	High limit	Manual Reset	3A Relay	Fixed	Potted	LF E4KU 0400 AAAA A	6, 8
	142A-3665-2200	230 VAC	K t/c	204°C	High limit	Manual Reset	3A Relay	Fixed	Potted	LF E4LU 0204 AAAA A	6, 8
	142A-3665-2300	230 VAC	K t/c	400°F	High limit	Automatic Reset	3A Relay	Fixed	Potted	LF E4KW 0400 AAAA A	6, 8
	142A-3665-2300	230 VAC	K t/c	204°C	High limit	Automatic Reset	3A Relay	Fixed	Potted	LF E4LW 0204 AAAA A	6, 8
	142A-3665-2400	230 VAC	K t/c	400°F	On/Off	Heat	3A Relay	Fixed	Potted	CF E4KH 0400 AAAA A	6, 8
	142A-3665-2400	230 VAC	K t/c	204°C	On/Off	Heat	3A Relay	Fixed	Potted	CF E4LH 0204 AAAA A	6, 8
	142A-3666-1200	120 VAC	J t/c	145°F	High limit	Manual Reset	3A Relay	Fixed	Potted	LF C4HU 0145 AAAA A	6, 8

Series 142

<u>Series 142</u>	Line									See Notes
	Voltage	Input	Temp Range	Control Mode	Action	Output	Set Point	Mounting	Retrofit	Below
142A-3666-1200	120 VAC	J t/c	63°C	High limit	Manual Reset	3A Relay	Fixed	Potted	LF C4JU 0063 AAAA A	6, 8
142A-3666-1300	120 VAC	J t/c	145°F	High limit	Automatic Reset	3A Relay	Fixed	Potted	LF C4HW 0145 AAAA A	6, 8
142A-3666-1300	120 VAC	J t/c	63°C	High limit	Automatic Reset	3A Relay	Fixed	Potted	LF C4JW 0063 AAAA A	6, 8
142A-3666-1400	120 VAC	J t/c	145°F	On/Off	Heat	3A Relay	Fixed	Potted	CF C4HH 0145 AAAA A	6, 8
142A-3666-1400	120 VAC	J t/c	63°C	On/Off	Heat	3A Relay	Fixed	Potted	CF C4JH 0063 AAAA A	6, 8
142A-3666-2200	230 VAC	J t/c	145°F	High limit	Manual Reset	3A Relay	Fixed	Potted	LF E4HU 0145 AAAA A	6, 8
142A-3666-2200	230 VAC	J t/c	63°C	High limit	Manual Reset	3A Relay	Fixed	Potted	LF E4JU 0063 AAAA A	6, 8
142A-3666-2300	230 VAC	J t/c	145°F	High limit	Automatic Reset	3A Relay	Fixed	Potted	LF E4HW 0145 AAAA A	6, 8
142A-3666-2300	230 VAC	J t/c	63°C	High limit	Automatic Reset	3A Relay	Fixed	Potted	LF E4JW 0063 AAAA A	6, 8
142A-3666-2400	230 VAC	J t/c	145°F	On/Off	Heat	3A Relay	Fixed	Potted	CF E4HH 0145 AAAA A	6, 8
142A-3666-2400	230 VAC	J t/c	63°C	On/Off	Heat	3A Relay	Fixed	Potted	CF E4JH 0063 AAAA A	6, 8
142A-3667-1200	120 VAC	K t/c	460°F	High limit	Manual Reset	3A Relay	Fixed	Potted	LF C4KU 0460 AAAA A	6, 8
142A-3667-1200	120 VAC	K t/c	328°C	High limit	Manual Reset	3A Relay	Fixed	Potted	LF C4LU 0328 AAAA A	6, 8
142A-3667-1300	120 VAC	K t/c	460°F	High limit	Automatic Reset	3A Relay	Fixed	Potted	LF C4KW 0460 AAAA A	6, 8
142A-3667-1300	120 VAC	K t/c	328°C	High limit	Automatic Reset	3A Relay	Fixed	Potted	LF C4LW 0328 AAAA A	6, 8
142A-3667-1400	120 VAC	K t/c	460°F	On/Off	Heat	3A Relay	Fixed	Potted	CF C4KH 0460 AAAA A	6, 8
142A-3667-1400	120 VAC	K t/c	328°C	On/Off	Heat	3A Relay	Fixed	Potted	CF C4LH 0328 AAAA A	6, 8
142A-3667-2200	230 VAC	K t/c	460°F	High limit	Manual Reset	3A Relay	Fixed	Potted	LF E4KU 0460 AAAA A	6, 8
142A-3667-2200	230 VAC	K t/c	328°C	High limit	Manual Reset	3A Relay	Fixed	Potted	LF E4LU 0328 AAAA A	6, 8
142A-3667-2300	230 VAC	K t/c	460°F	High limit	Automatic Reset	3A Relay	Fixed	Potted	LF E4KW 0460 AAAA A	6, 8
142A-3667-2300	230 VAC	K t/c	328°C	High limit	Automatic Reset	3A Relay	Fixed	Potted	LF E4LW 0328 AAAA A	6, 8
142A-3667-2400	230 VAC	K t/c	460°F	On/Off	Heat	3A Relay	Fixed	Potted	CF E4KH 0460 AAAA A	6, 8
142A-3667-2400	230 VAC	K t/c	328°C	On/Off	Heat	3A Relay	Fixed	Potted	CF E4LH 0328 AAAA A	6, 8
142A-3668-1200	120 VAC	E t/c	428°F	High limit	Manual Reset	3A Relay	Fixed	Potted	LF C4SU 0428 AAAA A	6, 8
142A-3668-1200	120 VAC	E t/c	155°C	High limit	Manual Reset	3A Relay	Fixed	Potted	LF C4TU 0155 AAAA A	6, 8
142A-3668-1300	120 VAC	E t/c	428°F	High limit	Automatic Reset	3A Relay	Fixed	Potted	LF C4SW 0428 AAAA A	6, 8
142A-3668-1300	120 VAC	E t/c	155°C	High limit	Automatic Reset	3A Relay	Fixed	Potted	LF C4TW 0155 AAAA A	6, 8
142A-3668-1400	120 VAC	E t/c	428°F	On/Off	Heat	3A Relay	Fixed	Potted	CF C4SH 0428 AAAA A	6, 8
142A-3668-1400	120 VAC	E t/c	155°C	On/Off	Heat	3A Relay	Fixed	Potted	CF C4TH 0155 AAAA A	6, 8
142A-3668-2200	230 VAC	E t/c	428°F	High limit	Manual Reset	3A Relay	Fixed	Potted	LF E4SU 0428 AAAA A	6, 8
142A-3668-2200	230 VAC	E t/c	155°C	High limit	Manual Reset	3A Relay	Fixed	Potted	LF E4TU 0155 AAAA A	6, 8
142A-3668-2300	230 VAC	E t/c	428°F	High limit	Automatic Reset	3A Relay	Fixed	Potted	LF E4SW 0428 AAAA A	6, 8
142A-3668-2300	230 VAC	E t/c	155°C	High limit	Automatic Reset	3A Relay	Fixed	Potted	LF E4TW 0155 AAAA A	6, 8
142A-3668-2400	230 VAC	E t/c	428°F	On/Off	Heat	3A Relay	Fixed	Potted	CF E4SH 0428 AAAA A	6, 8
142A-3668-2400	230 VAC	E t/c	155°C	On/Off	Heat	3A Relay	Fixed	Potted	CF E4TH 0155 AAAA A	6, 8
142A-3669-1200	120 VAC	E t/c	383°F	High limit	Manual Reset	3A Relay	Fixed	Potted	LF C4SU 0383 AAAA A	6, 8
142A-3669-1200	120 VAC	E t/c	110°C	High limit	Manual Reset	3A Relay	Fixed	Potted	LF C4TU 0110 AAAA A	6, 8
142A-3669-1300	120 VAC	E t/c	383°F	High limit	Automatic Reset	3A Relay	Fixed	Potted	LF C4SW 0383 AAAA A	6, 8
142A-3669-1300	120 VAC	E t/c	110°C	High limit	Automatic Reset	3A Relay	Fixed	Potted	LF C4TW 0110 AAAA A	6, 8
142A-3669-1400	120 VAC	E t/c	383°F	On/Off	Heat	3A Relay	Fixed	Potted	CF C4SH 0383 AAAA A	6, 8
142A-3669-1400	120 VAC	E t/c	110°C	On/Off	Heat	3A Relay	Fixed	Potted	CF C4TH 0110 AAAA A	6, 8

Series 142

<u>Series 142</u>	Line	Input	Temp Range	Control Mode	Action	Output	Set Point	Mounting	Retrofit	See Notes
	Voltage									Below
142A-3669-2200	230 VAC	E t/c	383°F	High limit	Manual Reset	3A Relay	Fixed	Potted	LF E4SU 0383 AAAA A	6, 8
142A-3669-2200	230 VAC	E t/c	110°C	High limit	Manual Reset	3A Relay	Fixed	Potted	LF E4TU 0110 AAAA A	6, 8
142A-3669-2300	230 VAC	E t/c	383°F	High limit	Automatic Reset	3A Relay	Fixed	Potted	LF E4SW 0383 AAAA A	6, 8
142A-3669-2300	230 VAC	E t/c	110°C	High limit	Automatic Reset	3A Relay	Fixed	Potted	LF E4TW 0110 AAAA A	6, 8
142A-3669-2400	230 VAC	E t/c	383°F	On/Off	Heat	3A Relay	Fixed	Potted	CF E4SH 0383 AAAA A	6, 8
142A-3669-2400	230 VAC	E t/c	110°C	On/Off	Heat	3A Relay	Fixed	Potted	CF E4TH 0110 AAAA A	6, 8
142A-3670-1200	120 VAC	E t/c	423°F	High limit	Manual Reset	3A Relay	Fixed	Potted	LF C4SU 0423 AAAA A	6, 8
142A-3670-1200	120 VAC	E t/c	150°C	High limit	Manual Reset	3A Relay	Fixed	Potted	LF C4TU 0150 AAAA A	6, 8
142A-3670-1300	120 VAC	E t/c	423°F	High limit	Automatic Reset	3A Relay	Fixed	Potted	LF C4SW 0423 AAAA A	6, 8
142A-3670-1300	120 VAC	E t/c	150°C	High limit	Automatic Reset	3A Relay	Fixed	Potted	LF C4TW 0150 AAAA A	6, 8
142A-3670-1400	120 VAC	E t/c	423°F	On/Off	Heat	3A Relay	Fixed	Potted	CF C4SH 0423 AAAA A	6, 8
142A-3670-1400	120 VAC	E t/c	150°C	On/Off	Heat	3A Relay	Fixed	Potted	CF C4TH 0150 AAAA A	6, 8
142A-3670-2200	230 VAC	E t/c	423°F	High limit	Manual Reset	3A Relay	Fixed	Potted	LF E4SU 0423 AAAA A	6, 8
142A-3670-2200	230 VAC	E t/c	150°C	High limit	Manual Reset	3A Relay	Fixed	Potted	LF E4TU 0150 AAAA A	6, 8
142A-3670-2300	230 VAC	E t/c	423°F	High limit	Automatic Reset	3A Relay	Fixed	Potted	LF E4SW 0423 AAAA A	6, 8
142A-3670-2300	230 VAC	E t/c	150°C	High limit	Automatic Reset	3A Relay	Fixed	Potted	LF E4TW 0150 AAAA A	6, 8
142A-3670-2400	230 VAC	E t/c	423°F	On/Off	Heat	3A Relay	Fixed	Potted	CF E4SH 0423 AAAA A	6, 8
142A-3670-2400	230 VAC	E t/c	150°C	On/Off	Heat	3A Relay	Fixed	Potted	CF E4TH 0150 AAAA A	6, 8
142A-3671-1200	120 VAC	K t/c	550°F	High limit	Manual Reset	3A Relay	Fixed	Potted	LF C4KU 0550 AAAA A	6, 8
142A-3671-1200	120 VAC	K t/c	288°C	High limit	Manual Reset	3A Relay	Fixed	Potted	LF C4LU 0288 AAAA A	6, 8
142A-3671-1300	120 VAC	K t/c	550°F	High limit	Automatic Reset	3A Relay	Fixed	Potted	LF C4KW 0550 AAAA A	6, 8
142A-3671-1300	120 VAC	K t/c	288°C	High limit	Automatic Reset	3A Relay	Fixed	Potted	LF C4LW 0288 AAAA A	6, 8
142A-3671-1400	120 VAC	K t/c	550°F	On/Off	Heat	3A Relay	Fixed	Potted	CF C4KH 0550 AAAA A	6, 8
142A-3671-1400	120 VAC	K t/c	288°C	On/Off	Heat	3A Relay	Fixed	Potted	CF C4LH 0288 AAAA A	6, 8
142A-3671-2200	230 VAC	K t/c	550°F	High limit	Manual Reset	3A Relay	Fixed	Potted	LF E4KU 0550 AAAA A	6, 8
142A-3671-2200	230 VAC	K t/c	288°C	High limit	Manual Reset	3A Relay	Fixed	Potted	LF E4LU 0288 AAAA A	6, 8
142A-3671-2300	230 VAC	K t/c	550°F	High limit	Automatic Reset	3A Relay	Fixed	Potted	LF E4KW 0550 AAAA A	6, 8
142A-3671-2300	230 VAC	K t/c	288°C	High limit	Automatic Reset	3A Relay	Fixed	Potted	LF E4LW 0288 AAAA A	6, 8
142A-3671-2400	230 VAC	K t/c	550°F	On/Off	Heat	3A Relay	Fixed	Potted	CF E4KH 0550 AAAA A	6, 8
142A-3671-2400	230 VAC	K t/c	288°C	On/Off	Heat	3A Relay	Fixed	Potted	CF E4LH 0288 AAAA A	6, 8
142A-3672-1200	120 VAC	J t/c	185°F	High limit	Manual Reset	3A Relay	Fixed	Potted	LF C4HU 0185 AAAA A	6, 8
142A-3672-1200	120 VAC	J t/c	85°C	High limit	Manual Reset	3A Relay	Fixed	Potted	LF C4JU 0085 AAAA A	6, 8
142A-3672-1300	120 VAC	J t/c	185°F	High limit	Automatic Reset	3A Relay	Fixed	Potted	LF C4HW 0185 AAAA A	6, 8
142A-3672-1300	120 VAC	J t/c	85°C	High limit	Automatic Reset	3A Relay	Fixed	Potted	LF C4JW 0085 AAAA A	6, 8
142A-3672-1400	120 VAC	J t/c	185°F	On/Off	Heat	3A Relay	Fixed	Potted	CF C4HH 0185 AAAA A	6, 8
142A-3672-1400	120 VAC	J t/c	85°C	On/Off	Heat	3A Relay	Fixed	Potted	CF C4JH 0085 AAAA A	6, 8
142A-3672-2200	230 VAC	J t/c	185°F	High limit	Manual Reset	3A Relay	Fixed	Potted	LF E4HU 0185 AAAA A	6, 8
142A-3672-2200	230 VAC	J t/c	85°C	High limit	Manual Reset	3A Relay	Fixed	Potted	LF E4JU 0085 AAAA A	6, 8
142A-3672-2300	230 VAC	J t/c	185°F	High limit	Automatic Reset	3A Relay	Fixed	Potted	LF E4HW 0185 AAAA A	6, 8
142A-3672-2300	230 VAC	J t/c	85°C	High limit	Automatic Reset	3A Relay	Fixed	Potted	LF E4JW 0085 AAAA A	6, 8
142A-3672-2400	230 VAC	J t/c	185°F	On/Off	Heat	3A Relay	Fixed	Potted	CF E4HH 0185 AAAA A	6, 8

Series 142

<u>Series 142</u>	Line	Voltage	Input	Temp Range	Control Mode	Action	Output	Set Point	Mounting	Retrofit	See Notes Below
	142A-3672-2400	230 VAC	J t/c	85°C	On/Off	Heat	3A Relay	Fixed	Potted	CF E4JH 0085 AAAA A	6, 8
	142A-3673-1200	120 VAC	K t/c	1198°F	High limit	Manual Reset	3A Relay	Fixed	Potted	LF C4KU 1198 AAAA A	6, 8
	142A-3673-1200	120 VAC	K t/c	648°C	High limit	Manual Reset	3A Relay	Fixed	Potted	LF C4LU 0648 AAAA A	6, 8
	142A-3673-1300	120 VAC	K t/c	1198°F	High limit	Automatic Reset	3A Relay	Fixed	Potted	LF C4KW 1198 AAAA A	6, 8
	142A-3673-1300	120 VAC	K t/c	648°C	High limit	Automatic Reset	3A Relay	Fixed	Potted	LF C4LW 0648 AAAA A	6, 8
	142A-3673-1400	120 VAC	K t/c	1198°F	On/Off	Heat	3A Relay	Fixed	Potted	CF C4KH 1198 AAAA A	6, 8
	142A-3673-1400	120 VAC	K t/c	648°C	On/Off	Heat	3A Relay	Fixed	Potted	CF C4LH 0648 AAAA A	6, 8
	142A-3673-2200	230 VAC	K t/c	1198°F	High limit	Manual Reset	3A Relay	Fixed	Potted	LF E4KU 1198 AAAA A	6, 8
	142A-3673-2200	230 VAC	K t/c	648°C	High limit	Manual Reset	3A Relay	Fixed	Potted	LF E4LU 0648 AAAA A	6, 8
	142A-3673-2300	230 VAC	K t/c	1198°F	High limit	Automatic Reset	3A Relay	Fixed	Potted	LF E4KW 1198 AAAA A	6, 8
	142A-3673-2300	230 VAC	K t/c	648°C	High limit	Automatic Reset	3A Relay	Fixed	Potted	LF E4LW 0648 AAAA A	6, 8
	142A-3673-2400	230 VAC	K t/c	1198°F	On/Off	Heat	3A Relay	Fixed	Potted	CF E4KH 1198 AAAA A	6, 8
	142A-3673-2400	230 VAC	K t/c	648°C	On/Off	Heat	3A Relay	Fixed	Potted	CF E4LH 0648 AAAA A	6, 8
	142A-3674-1200	120 VAC	K t/c	700°F	High limit	Manual Reset	3A Relay	Fixed	Potted	LF C4KU 0700 AAAA A	6, 8
	142A-3674-1200	120 VAC	K t/c	371°C	High limit	Manual Reset	3A Relay	Fixed	Potted	LF C4LU 0371 AAAA A	6, 8
	142A-3674-1300	120 VAC	K t/c	700°F	High limit	Automatic Reset	3A Relay	Fixed	Potted	LF C4KW 0700 AAAA A	6, 8
	142A-3674-1300	120 VAC	K t/c	371°C	High limit	Automatic Reset	3A Relay	Fixed	Potted	LF C4LW 0371 AAAA A	6, 8
	142A-3674-1400	120 VAC	K t/c	700°F	On/Off	Heat	3A Relay	Fixed	Potted	CF C4KH 0700 AAAA A	6, 8
	142A-3674-1400	120 VAC	K t/c	371°C	On/Off	Heat	3A Relay	Fixed	Potted	CF C4LH 0371 AAAA A	6, 8
	142A-3674-2200	230 VAC	K t/c	700°F	High limit	Manual Reset	3A Relay	Fixed	Potted	LF E4KU 0700 AAAA A	6, 8
	142A-3674-2200	230 VAC	K t/c	371°C	High limit	Manual Reset	3A Relay	Fixed	Potted	LF E4LU 0371 AAAA A	6, 8
	142A-3674-2300	230 VAC	K t/c	700°F	High limit	Automatic Reset	3A Relay	Fixed	Potted	LF E4KW 0700 AAAA A	6, 8
	142A-3674-2300	230 VAC	K t/c	371°C	High limit	Automatic Reset	3A Relay	Fixed	Potted	LF E4LW 0371 AAAA A	6, 8
	142A-3674-2400	230 VAC	K t/c	700°F	On/Off	Heat	3A Relay	Fixed	Potted	CF E4KH 0700 AAAA A	6, 8
	142A-3674-2400	230 VAC	K t/c	371°C	On/Off	Heat	3A Relay	Fixed	Potted	CF E4LH 0371 AAAA A	6, 8
	142A-3675-1200	120 VAC	E t/c	500°F	High limit	Manual Reset	3A Relay	Fixed	Potted	LF C4SU 0500 AAAA A	6, 8
	142A-3675-1200	120 VAC	E t/c	260°C	High limit	Manual Reset	3A Relay	Fixed	Potted	LF C4TU 0260 AAAA A	6, 8
	142A-3675-1300	120 VAC	E t/c	500°F	High limit	Automatic Reset	3A Relay	Fixed	Potted	LF C4SW 0500 AAAA A	6, 8
	142A-3675-1300	120 VAC	E t/c	260°C	High limit	Automatic Reset	3A Relay	Fixed	Potted	LF C4TW 0260 AAAA A	6, 8
	142A-3675-1400	120 VAC	E t/c	500°F	On/Off	Heat	3A Relay	Fixed	Potted	CF C4SH 0500 AAAA A	6, 8
	142A-3675-1400	120 VAC	E t/c	260°C	On/Off	Heat	3A Relay	Fixed	Potted	CF C4TH 0260 AAAA A	6, 8
	142A-3675-2200	230 VAC	E t/c	500°F	High limit	Manual Reset	3A Relay	Fixed	Potted	LF E4SU 0500 AAAA A	6, 8
	142A-3675-2200	230 VAC	E t/c	260°C	High limit	Manual Reset	3A Relay	Fixed	Potted	LF E4TU 0260 AAAA A	6, 8
	142A-3675-2300	230 VAC	E t/c	500°F	High limit	Automatic Reset	3A Relay	Fixed	Potted	LF E4SW 0500 AAAA A	6, 8
	142A-3675-2300	230 VAC	E t/c	260°C	High limit	Automatic Reset	3A Relay	Fixed	Potted	LF E4TW 0260 AAAA A	6, 8
	142A-3675-2400	230 VAC	E t/c	500°F	On/Off	Heat	3A Relay	Fixed	Potted	CF E4SH 0500 AAAA A	6, 8
	142A-3675-2400	230 VAC	E t/c	260°C	On/Off	Heat	3A Relay	Fixed	Potted	CF E4TH 0260 AAAA A	6, 8
	142A-3677-1200	120 VAC	K t/c	788°F	High limit	Manual Reset	3A Relay	Fixed	Potted	LF C4KU 788 AAAA A	6, 8
	142A-3677-1200	120 VAC	K t/c	420°C	High limit	Manual Reset	3A Relay	Fixed	Potted	LF C4LU 0420 AAAA A	6, 8
	142A-3677-1300	120 VAC	K t/c	788°F	High limit	Automatic Reset	3A Relay	Fixed	Potted	LF C4KW 788 AAAA A	6, 8
	142A-3677-1300	120 VAC	K t/c	420°C	High limit	Automatic Reset	3A Relay	Fixed	Potted	LF C4LW 0420 AAAA A	6, 8

Series 142

<u>Series 142</u>	Line	Voltage	Input	Temp Range	Control Mode	Action	Output	Set Point	Mounting	Retrofit	See Notes Below
142A-3677-1400	120 VAC	K t/c	788°F	On/Off	Heat	3A Relay	Fixed	Potted	CF C4KH 788 AAAA A	6, 8	
142A-3677-1400	120 VAC	K t/c	420°C	On/Off	Heat	3A Relay	Fixed	Potted	CF C4LH 0420 AAAA A	6, 8	
142A-3677-2200	230 VAC	K t/c	788°F	High limit	Manual Reset	3A Relay	Fixed	Potted	LF E4KU 788 AAAA A	6, 8	
142A-3677-2200	230 VAC	K t/c	420°C	High limit	Manual Reset	3A Relay	Fixed	Potted	LF E4LU 0420 AAAA A	6, 8	
142A-3677-2300	230 VAC	K t/c	788°F	High limit	Automatic Reset	3A Relay	Fixed	Potted	LF E4KW 788 AAAA A	6, 8	
142A-3677-2300	230 VAC	K t/c	420°C	High limit	Automatic Reset	3A Relay	Fixed	Potted	LF E4LW 0420 AAAA A	6, 8	
142A-3677-2400	230 VAC	K t/c	788°F	On/Off	Heat	3A Relay	Fixed	Potted	CF E4KH 788 AAAA A	6, 8	
142A-3677-2400	230 VAC	K t/c	420°C	On/Off	Heat	3A Relay	Fixed	Potted	CF E4LH 0420 AAAA A	6, 8	
142A-3678-1200	120 VAC	E t/c	565°F	High limit	Manual Reset	3A Relay	Fixed	Potted	LF C4SU 0565 AAAA A	6, 8	
142A-3678-1200	120 VAC	E t/c	296°C	High limit	Manual Reset	3A Relay	Fixed	Potted	LF C4TU 0296 AAAA A	6, 8	
142A-3678-1300	120 VAC	E t/c	565°F	High limit	Automatic Reset	3A Relay	Fixed	Potted	LF C4SW 0565 AAAA A	6, 8	
142A-3678-1300	120 VAC	E t/c	296°C	High limit	Automatic Reset	3A Relay	Fixed	Potted	LF C4TW 0296 AAAA A	6, 8	
142A-3678-1400	120 VAC	E t/c	565°F	On/Off	Heat	3A Relay	Fixed	Potted	CF C4SH 0565 AAAA A	6, 8	
142A-3678-1400	120 VAC	E t/c	296°C	On/Off	Heat	3A Relay	Fixed	Potted	CF C4TH 0296 AAAA A	6, 8	
142A-3678-2200	230 VAC	E t/c	565°F	High limit	Manual Reset	3A Relay	Fixed	Potted	LF E4SU 0565 AAAA A	6, 8	
142A-3678-2200	230 VAC	E t/c	296°C	High limit	Manual Reset	3A Relay	Fixed	Potted	LF E4TU 0296 AAAA A	6, 8	
142A-3678-2300	230 VAC	E t/c	565°F	High limit	Automatic Reset	3A Relay	Fixed	Potted	LF E4SW 0565 AAAA A	6, 8	
142A-3678-2300	230 VAC	E t/c	296°C	High limit	Automatic Reset	3A Relay	Fixed	Potted	LF E4TW 0296 AAAA A	6, 8	
142A-3678-2400	230 VAC	E t/c	565°F	On/Off	Heat	3A Relay	Fixed	Potted	CF E4SH 0565 AAAA A	6, 8	
142A-3678-2400	230 VAC	E t/c	296°C	On/Off	Heat	3A Relay	Fixed	Potted	CF E4TH 0296 AAAA A	6, 8	
142A-3679-1200	120 VAC	E t/c	365°F	High limit	Manual Reset	3A Relay	Fixed	Potted	LF C4SU 0365 AAAA A	6, 8	
142A-3679-1200	120 VAC	E t/c	185°C	High limit	Manual Reset	3A Relay	Fixed	Potted	LF C4TU 0185 AAAA A	6, 8	
142A-3679-1300	120 VAC	E t/c	365°F	High limit	Automatic Reset	3A Relay	Fixed	Potted	LF C4SW 0365 AAAA A	6, 8	
142A-3679-1300	120 VAC	E t/c	185°C	High limit	Automatic Reset	3A Relay	Fixed	Potted	LF C4TW 0185 AAAA A	6, 8	
142A-3679-1400	120 VAC	E t/c	365°F	On/Off	Heat	3A Relay	Fixed	Potted	CF C4SH 0365 AAAA A	6, 8	
142A-3679-1400	120 VAC	E t/c	185°C	On/Off	Heat	3A Relay	Fixed	Potted	CF C4TH 0185 AAAA A	6, 8	
142A-3679-2200	230 VAC	E t/c	365°F	High limit	Manual Reset	3A Relay	Fixed	Potted	LF E4SU 0365 AAAA A	6, 8	
142A-3679-2200	230 VAC	E t/c	185°C	High limit	Manual Reset	3A Relay	Fixed	Potted	LF E4TU 0185 AAAA A	6, 8	
142A-3679-2300	230 VAC	E t/c	365°F	High limit	Automatic Reset	3A Relay	Fixed	Potted	LF E4SW 0365 AAAA A	6, 8	
142A-3679-2300	230 VAC	E t/c	185°C	High limit	Automatic Reset	3A Relay	Fixed	Potted	LF E4TW 0185 AAAA A	6, 8	
142A-3679-2400	230 VAC	E t/c	365°F	On/Off	Heat	3A Relay	Fixed	Potted	CF E4SH 0365 AAAA A	6, 8	
142A-3679-2400	230 VAC	E t/c	185°C	On/Off	Heat	3A Relay	Fixed	Potted	CF E4TH 0185 AAAA A	6, 8	
142A-3680-1200	120 VAC	T t/c	60°F	High limit	Manual Reset	3A Relay	Fixed	Potted	LF C4MU 0060 AAAA A	6, 8	
142A-3680-1200	120 VAC	T t/c	16°C	High limit	Manual Reset	3A Relay	Fixed	Potted	LF C4NU 0016 AAAA A	6, 8	
142A-3680-1300	120 VAC	T t/c	60°F	High limit	Automatic Reset	3A Relay	Fixed	Potted	LF C4MW 0060 AAAA A	6, 8	
142A-3680-1300	120 VAC	T t/c	16°C	High limit	Automatic Reset	3A Relay	Fixed	Potted	LF C4NW 0016 AAAA A	6, 8	
142A-3680-1400	120 VAC	T t/c	60°F	On/Off	Heat	3A Relay	Fixed	Potted	CF C4MH 0060 AAAA A	6, 8	
142A-3680-1400	120 VAC	T t/c	16°C	On/Off	Heat	3A Relay	Fixed	Potted	CF C4NH 0016 AAAA A	6, 8	
142A-3680-2200	230 VAC	T t/c	60°F	High limit	Manual Reset	3A Relay	Fixed	Potted	LF E4MU 0060 AAAA A	6, 8	
142A-3680-2200	230 VAC	T t/c	16°C	High limit	Manual Reset	3A Relay	Fixed	Potted	LF E4NU 0016 AAAA A	6, 8	
142A-3680-2300	230 VAC	T t/c	60°F	High limit	Automatic Reset	3A Relay	Fixed	Potted	LF E4MW 0060 AAAA A	6, 8	

Series 142

<u>Series 142</u>	Line	Voltage	Input	Temp Range	Control Mode	Action	Output	Set Point	Mounting	Retrofit	See Notes Below
	142A-3680-2300	230 VAC	T t/c	16°C	High limit	Automatic Reset	3A Relay	Fixed	Potted	LF E4NW 0016 AAAA A	6, 8
	142A-3680-2400	230 VAC	T t/c	60°F	On/Off	Heat	3A Relay	Fixed	Potted	CF E4MH 0060 AAAA A	6, 8
	142A-3680-2400	230 VAC	T t/c	16°C	On/Off	Heat	3A Relay	Fixed	Potted	CF E4NH 0016 AAAA A	6, 8
	142A-3681-1200	120 VAC	J t/c	175°F	High limit	Manual Reset	3A Relay	Fixed	Potted	LF C4HU 0175 AAAA A	6, 8
	142A-3681-1200	120 VAC	J t/c	79°C	High limit	Manual Reset	3A Relay	Fixed	Potted	LF C4JU 0079 AAAA A	6, 8
	142A-3681-1300	120 VAC	J t/c	175°F	High limit	Automatic Reset	3A Relay	Fixed	Potted	LF C4HW 0175 AAAA A	6, 8
	142A-3681-1300	120 VAC	J t/c	79°C	High limit	Automatic Reset	3A Relay	Fixed	Potted	LF C4JW 0079 AAAA A	6, 8
	142A-3681-1400	120 VAC	J t/c	175°F	On/Off	Heat	3A Relay	Fixed	Potted	CF C4HH 0175 AAAA A	6, 8
	142A-3681-1400	120 VAC	J t/c	79°C	On/Off	Heat	3A Relay	Fixed	Potted	CF C4JH 0079 AAAA A	6, 8
	142A-3681-2200	230 VAC	J t/c	175°F	High limit	Manual Reset	3A Relay	Fixed	Potted	LF E4HU 0175 AAAA A	6, 8
	142A-3681-2200	230 VAC	J t/c	79°C	High limit	Manual Reset	3A Relay	Fixed	Potted	LF E4JU 0079 AAAA A	6, 8
	142A-3681-2300	230 VAC	J t/c	175°F	High limit	Automatic Reset	3A Relay	Fixed	Potted	LF E4HW 0175 AAAA A	6, 8
	142A-3681-2300	230 VAC	J t/c	79°C	High limit	Automatic Reset	3A Relay	Fixed	Potted	LF E4JW 0079 AAAA A	6, 8
	142A-3681-2400	230 VAC	J t/c	175°F	On/Off	Heat	3A Relay	Fixed	Potted	CF E4HH 0175 AAAA A	6, 8
	142A-3681-2400	230 VAC	J t/c	79°C	On/Off	Heat	3A Relay	Fixed	Potted	CF E4JH 0079 AAAA A	6, 8
	142A-3682-1200	120 VAC	E t/c	575°F	High limit	Manual Reset	3A Relay	Fixed	Potted	LF C4SU 0575 AAAA A	6, 8
	142A-3682-1200	120 VAC	E t/c	302°C	High limit	Manual Reset	3A Relay	Fixed	Potted	LF C4TU 0302 AAAA A	6, 8
	142A-3682-1300	120 VAC	E t/c	575°F	High limit	Automatic Reset	3A Relay	Fixed	Potted	LF C4SW 0575 AAAA A	6, 8
	142A-3682-1300	120 VAC	E t/c	302°C	High limit	Automatic Reset	3A Relay	Fixed	Potted	LF C4TW 0302 AAAA A	6, 8
	142A-3682-1400	120 VAC	E t/c	575°F	On/Off	Heat	3A Relay	Fixed	Potted	CF C4SH 0575 AAAA A	6, 8
	142A-3682-1400	120 VAC	E t/c	302°C	On/Off	Heat	3A Relay	Fixed	Potted	CF C4TH 0302 AAAA A	6, 8
	142A-3682-2200	230 VAC	E t/c	575°F	High limit	Manual Reset	3A Relay	Fixed	Potted	LF E4SU 0575 AAAA A	6, 8
	142A-3682-2200	230 VAC	E t/c	302°C	High limit	Manual Reset	3A Relay	Fixed	Potted	LF E4TU 0302 AAAA A	6, 8
	142A-3682-2300	230 VAC	E t/c	575°F	High limit	Automatic Reset	3A Relay	Fixed	Potted	LF E4SW 0575 AAAA A	6, 8
	142A-3682-2300	230 VAC	E t/c	302°C	High limit	Automatic Reset	3A Relay	Fixed	Potted	LF E4TW 0302 AAAA A	6, 8
	142A-3682-2400	230 VAC	E t/c	575°F	On/Off	Heat	3A Relay	Fixed	Potted	CF E4SH 0575 AAAA A	6, 8
	142A-3682-2400	230 VAC	E t/c	302°C	On/Off	Heat	3A Relay	Fixed	Potted	CF E4TH 0302 AAAA A	6, 8
	142A-3683-1200	120 VAC	J t/c	150°F	High limit	Manual Reset	3A Relay	Fixed	Potted	LF C4HU 0150 AAAA A	6, 8
	142A-3683-1200	120 VAC	J t/c	66°C	High limit	Manual Reset	3A Relay	Fixed	Potted	LF C4JU 0066 AAAA A	6, 8
	142A-3683-1300	120 VAC	J t/c	150°F	High limit	Automatic Reset	3A Relay	Fixed	Potted	LF C4HW 0150 AAAA A	6, 8
	142A-3683-1300	120 VAC	J t/c	66°C	High limit	Automatic Reset	3A Relay	Fixed	Potted	LF C4JW 0066 AAAA A	6, 8
	142A-3683-1400	120 VAC	J t/c	150°F	On/Off	Heat	3A Relay	Fixed	Potted	CF C4HH 0150 AAAA A	6, 8
	142A-3683-1400	120 VAC	J t/c	66°C	On/Off	Heat	3A Relay	Fixed	Potted	CF C4JH 0066 AAAA A	6, 8
	142A-3683-2200	230 VAC	J t/c	150°F	High limit	Manual Reset	3A Relay	Fixed	Potted	LF E4HU 0150 AAAA A	6, 8
	142A-3683-2200	230 VAC	J t/c	66°C	High limit	Manual Reset	3A Relay	Fixed	Potted	LF E4JU 0066 AAAA A	6, 8
	142A-3683-2300	230 VAC	J t/c	150°F	High limit	Automatic Reset	3A Relay	Fixed	Potted	LF E4HW 0150 AAAA A	6, 8
	142A-3683-2300	230 VAC	J t/c	66°C	High limit	Automatic Reset	3A Relay	Fixed	Potted	LF E4JW 0066 AAAA A	6, 8
	142A-3683-2400	230 VAC	J t/c	150°F	On/Off	Heat	3A Relay	Fixed	Potted	CF E4HH 0150 AAAA A	6, 8
	142A-3683-2400	230 VAC	J t/c	66°C	On/Off	Heat	3A Relay	Fixed	Potted	CF E4JH 0066 AAAA A	6, 8
	142A-3684-1200	120 VAC	E t/c	450°F	High limit	Manual Reset	3A Relay	Fixed	Potted	LF C4SU 0450 AAAA A	6, 8
	142A-3684-1200	120 VAC	E t/c	232°C	High limit	Manual Reset	3A Relay	Fixed	Potted	LF C4TU 0232 AAAA A	6, 8

Series 142

<u>Series 142</u>	Line										See Notes
	Voltage	Input	Temp Range	Control Mode	Action	Output	Set Point	Mounting	Retrofit		Below
142A-3684-1300	120 VAC	E t/c	450°F	High limit	Automatic Reset	3A Relay	Fixed	Potted	LF C4SW 0450 AAAA A		6, 8
142A-3684-1300	120 VAC	E t/c	232°C	High limit	Automatic Reset	3A Relay	Fixed	Potted	LF C4TW 0232 AAAA A		6, 8
142A-3684-1400	120 VAC	E t/c	450°F	On/Off	Heat	3A Relay	Fixed	Potted	CF C4SH 0450 AAAA A		6, 8
142A-3684-1400	120 VAC	E t/c	232°C	On/Off	Heat	3A Relay	Fixed	Potted	CF C4TH 0232 AAAA A		6, 8
142A-3684-2200	230 VAC	E t/c	450°F	High limit	Manual Reset	3A Relay	Fixed	Potted	LF E4SU 0450 AAAA A		6, 8
142A-3684-2200	230 VAC	E t/c	232°C	High limit	Manual Reset	3A Relay	Fixed	Potted	LF E4TU 0232 AAAA A		6, 8
142A-3684-2300	230 VAC	E t/c	450°F	High limit	Automatic Reset	3A Relay	Fixed	Potted	LF E4SW 0450 AAAA A		6, 8
142A-3684-2300	230 VAC	E t/c	232°C	High limit	Automatic Reset	3A Relay	Fixed	Potted	LF E4TW 0232 AAAA A		6, 8
142A-3684-2400	230 VAC	E t/c	450°F	On/Off	Heat	3A Relay	Fixed	Potted	CF E4SH 0450 AAAA A		6, 8
142A-3684-2400	230 VAC	E t/c	232°C	On/Off	Heat	3A Relay	Fixed	Potted	CF E4TH 0232 AAAA A		6, 8
142A-3685-1200	120 VAC	E t/c	265°F	High limit	Manual Reset	3A Relay	Fixed	Potted	LF C4SU 0265 AAAA A		6, 8
142A-3685-1200	120 VAC	E t/c	129°C	High limit	Manual Reset	3A Relay	Fixed	Potted	LF C4TU 0129 AAAA A		6, 8
142A-3685-1300	120 VAC	E t/c	265°F	High limit	Automatic Reset	3A Relay	Fixed	Potted	LF C4SW 0265 AAAA A		6, 8
142A-3685-1300	120 VAC	E t/c	129°C	High limit	Automatic Reset	3A Relay	Fixed	Potted	LF C4TW 0129 AAAA A		6, 8
142A-3685-1400	120 VAC	E t/c	265°F	On/Off	Heat	3A Relay	Fixed	Potted	CF C4SH 0265 AAAA A		6, 8
142A-3685-1400	120 VAC	E t/c	129°C	On/Off	Heat	3A Relay	Fixed	Potted	CF C4TH 0129 AAAA A		6, 8
142A-3685-2200	230 VAC	E t/c	265°F	High limit	Manual Reset	3A Relay	Fixed	Potted	LF E4SU 0265 AAAA A		6, 8
142A-3685-2200	230 VAC	E t/c	129°C	High limit	Manual Reset	3A Relay	Fixed	Potted	LF E4TU 0129 AAAA A		6, 8
142A-3685-2300	230 VAC	E t/c	265°F	High limit	Automatic Reset	3A Relay	Fixed	Potted	LF E4SW 0265 AAAA A		6, 8
142A-3685-2300	230 VAC	E t/c	129°C	High limit	Automatic Reset	3A Relay	Fixed	Potted	LF E4TW 0129 AAAA A		6, 8
142A-3685-2400	230 VAC	E t/c	265°F	On/Off	Heat	3A Relay	Fixed	Potted	CF E4SH 0265 AAAA A		6, 8
142A-3685-2400	230 VAC	E t/c	129°C	On/Off	Heat	3A Relay	Fixed	Potted	CF E4TH 0129 AAAA A		6, 8
142A-3687-1200	120 VAC	K t/c	1382°F	High limit	Manual Reset	3A Relay	Fixed	Potted	LF C4KU 1382 AAAA A		6, 8
142A-3687-1200	120 VAC	K t/c	750°C	High limit	Manual Reset	3A Relay	Fixed	Potted	LF C4LU 0750 AAAA A		6, 8
142A-3687-1300	120 VAC	K t/c	1382°F	High limit	Automatic Reset	3A Relay	Fixed	Potted	LF C4KW 1382 AAAA A		6, 8
142A-3687-1300	120 VAC	K t/c	750°C	High limit	Automatic Reset	3A Relay	Fixed	Potted	LF C4LW 0750 AAAA A		6, 8
142A-3687-1400	120 VAC	K t/c	1382°F	On/Off	Heat	3A Relay	Fixed	Potted	CF C4KH 1382 AAAA A		6, 8
142A-3687-1400	120 VAC	K t/c	750°C	On/Off	Heat	3A Relay	Fixed	Potted	CF C4LH 0750 AAAA A		6, 8
142A-3687-2200	230 VAC	K t/c	1382°F	High limit	Manual Reset	3A Relay	Fixed	Potted	LF E4KU 1382 AAAA A		6, 8
142A-3687-2200	230 VAC	K t/c	750°C	High limit	Manual Reset	3A Relay	Fixed	Potted	LF E4LU 0750 AAAA A		6, 8
142A-3687-2300	230 VAC	K t/c	1382°F	High limit	Automatic Reset	3A Relay	Fixed	Potted	LF E4KW 1382 AAAA A		6, 8
142A-3687-2300	230 VAC	K t/c	750°C	High limit	Automatic Reset	3A Relay	Fixed	Potted	LF E4LW 0750 AAAA A		6, 8
142A-3687-2400	230 VAC	K t/c	1382°F	On/Off	Heat	3A Relay	Fixed	Potted	CF E4KH 1382 AAAA A		6, 8
142A-3687-2400	230 VAC	K t/c	750°C	On/Off	Heat	3A Relay	Fixed	Potted	CF E4LH 0750 AAAA A		6, 8
142A-3688-1200	120 VAC	J t/c	215°F	High limit	Manual Reset	3A Relay	Fixed	Potted	LF C4HU 0215 AAAA A		6, 8
142A-3688-1200	120 VAC	J t/c	102°C	High limit	Manual Reset	3A Relay	Fixed	Potted	LF C4JU 0102 AAAA A		6, 8
142A-3688-1300	120 VAC	J t/c	215°F	High limit	Automatic Reset	3A Relay	Fixed	Potted	LF C4HW 0215 AAAA A		6, 8
142A-3688-1300	120 VAC	J t/c	102°C	High limit	Automatic Reset	3A Relay	Fixed	Potted	LF C4JW 0102 AAAA A		6, 8
142A-3688-1400	120 VAC	J t/c	215°F	On/Off	Heat	3A Relay	Fixed	Potted	CF C4HH 0215 AAAA A		6, 8
142A-3688-1400	120 VAC	J t/c	102°C	On/Off	Heat	3A Relay	Fixed	Potted	CF C4JH 0102 AAAA A		6, 8
142A-3688-2200	230 VAC	J t/c	215°F	High limit	Manual Reset	3A Relay	Fixed	Potted	LF E4HU 0215 AAAA A		6, 8

Series 142

<u>Series 142</u>	Line									See Notes
	Voltage	Input	Temp Range	Control Mode	Action	Output	Set Point	Mounting	Retrofit	Below
142A-3688-2200	230 VAC	J t/c	102°C	High limit	Manual Reset	3A Relay	Fixed	Potted	LF E4JU 0102 AAAA A	6, 8
142A-3688-2300	230 VAC	J t/c	215°F	High limit	Automatic Reset	3A Relay	Fixed	Potted	LF E4HW 0215 AAAA A	6, 8
142A-3688-2300	230 VAC	J t/c	102°C	High limit	Automatic Reset	3A Relay	Fixed	Potted	LF E4JW 0102 AAAA A	6, 8
142A-3688-2400	230 VAC	J t/c	215°F	On/Off	Heat	3A Relay	Fixed	Potted	CF E4HH 0215 AAAA A	6, 8
142A-3688-2400	230 VAC	J t/c	102°C	On/Off	Heat	3A Relay	Fixed	Potted	CF E4JH 0102 AAAA A	6, 8
142A-3689-1200	120 VAC	J t/c	444°F	High limit	Manual Reset	3A Relay	Fixed	Potted	LF C4HU 0444 AAAA A	6, 8
142A-3689-1200	120 VAC	J t/c	229°C	High limit	Manual Reset	3A Relay	Fixed	Potted	LF C4JU 0229 AAAA A	6, 8
142A-3689-1300	120 VAC	J t/c	444°F	High limit	Automatic Reset	3A Relay	Fixed	Potted	LF C4HW 0444 AAAA A	6, 8
142A-3689-1300	120 VAC	J t/c	229°C	High limit	Automatic Reset	3A Relay	Fixed	Potted	LF C4JW 0229 AAAA A	6, 8
142A-3689-1400	120 VAC	J t/c	444°F	On/Off	Heat	3A Relay	Fixed	Potted	CF C4HH 0444 AAAA A	6, 8
142A-3689-1400	120 VAC	J t/c	229°C	On/Off	Heat	3A Relay	Fixed	Potted	CF C4JH 0229 AAAA A	6, 8
142A-3689-2200	230 VAC	J t/c	444°F	High limit	Manual Reset	3A Relay	Fixed	Potted	LF E4HU 0444 AAAA A	6, 8
142A-3689-2200	230 VAC	J t/c	229°C	High limit	Manual Reset	3A Relay	Fixed	Potted	LF E4JU 0229 AAAA A	6, 8
142A-3689-2300	230 VAC	J t/c	444°F	High limit	Automatic Reset	3A Relay	Fixed	Potted	LF E4HW 0444 AAAA A	6, 8
142A-3689-2300	230 VAC	J t/c	229°C	High limit	Automatic Reset	3A Relay	Fixed	Potted	LF E4JW 0229 AAAA A	6, 8
142A-3689-2400	230 VAC	J t/c	444°F	On/Off	Heat	3A Relay	Fixed	Potted	CF E4HH 0444 AAAA A	6, 8
142A-3689-2400	230 VAC	J t/c	229°C	On/Off	Heat	3A Relay	Fixed	Potted	CF E4JH 0229 AAAA A	6, 8
142A-3690-1200	120 VAC	K t/c	600°F	High limit	Manual Reset	3A Relay	Fixed	Potted	LF C4KU 0600 AAAA A	6, 8
142A-3690-1200	120 VAC	K t/c	315°C	High limit	Manual Reset	3A Relay	Fixed	Potted	LF C4LU 0315 AAAA A	6, 8
142A-3690-1300	120 VAC	K t/c	600°F	High limit	Automatic Reset	3A Relay	Fixed	Potted	LF C4KW 0600 AAAA A	6, 8
142A-3690-1300	120 VAC	K t/c	315°C	High limit	Automatic Reset	3A Relay	Fixed	Potted	LF C4LW 0315 AAAA A	6, 8
142A-3690-1400	120 VAC	K t/c	600°F	On/Off	Heat	3A Relay	Fixed	Potted	CF C4KH 0600 AAAA A	6, 8
142A-3690-1400	120 VAC	K t/c	315°C	On/Off	Heat	3A Relay	Fixed	Potted	CF C4LH 0315 AAAA A	6, 8
142A-3690-2200	230 VAC	K t/c	600°F	High limit	Manual Reset	3A Relay	Fixed	Potted	LF E4KU 0600 AAAA A	6, 8
142A-3690-2200	230 VAC	K t/c	315°C	High limit	Manual Reset	3A Relay	Fixed	Potted	LF E4LU 0315 AAAA A	6, 8
142A-3690-2300	230 VAC	K t/c	600°F	High limit	Automatic Reset	3A Relay	Fixed	Potted	LF E4KW 0600 AAAA A	6, 8
142A-3690-2300	230 VAC	K t/c	315°C	High limit	Automatic Reset	3A Relay	Fixed	Potted	LF E4LW 0315 AAAA A	6, 8
142A-3690-2400	230 VAC	K t/c	600°F	On/Off	Heat	3A Relay	Fixed	Potted	CF E4KH 0600 AAAA A	6, 8
142A-3690-2400	230 VAC	K t/c	315°C	On/Off	Heat	3A Relay	Fixed	Potted	CF E4LH 0315 AAAA A	6, 8
142A-3691-1200	120 VAC	K t/c	875°F	High limit	Manual Reset	3A Relay	Fixed	Potted	LF C4KU 0875 AAAA A	6, 8
142A-3691-1200	120 VAC	K t/c	468°C	High limit	Manual Reset	3A Relay	Fixed	Potted	LF C4LU 0468 AAAA A	6, 8
142A-3691-1300	120 VAC	K t/c	875°F	High limit	Automatic Reset	3A Relay	Fixed	Potted	LF C4KW 0875 AAAA A	6, 8
142A-3691-1300	120 VAC	K t/c	468°C	High limit	Automatic Reset	3A Relay	Fixed	Potted	LF C4LW 0468 AAAA A	6, 8
142A-3691-1400	120 VAC	K t/c	875°F	On/Off	Heat	3A Relay	Fixed	Potted	CF C4KH 0875 AAAA A	6, 8
142A-3691-1400	120 VAC	K t/c	468°C	On/Off	Heat	3A Relay	Fixed	Potted	CF C4LH 0468 AAAA A	6, 8
142A-3691-2200	230 VAC	K t/c	875°F	High limit	Manual Reset	3A Relay	Fixed	Potted	LF E4KU 0875 AAAA A	6, 8
142A-3691-2200	230 VAC	K t/c	468°C	High limit	Manual Reset	3A Relay	Fixed	Potted	LF E4LU 0468 AAAA A	6, 8
142A-3691-2300	230 VAC	K t/c	875°F	High limit	Automatic Reset	3A Relay	Fixed	Potted	LF E4KW 0875 AAAA A	6, 8
142A-3691-2300	230 VAC	K t/c	468°C	High limit	Automatic Reset	3A Relay	Fixed	Potted	LF E4LW 0468 AAAA A	6, 8
142A-3691-2400	230 VAC	K t/c	875°F	On/Off	Heat	3A Relay	Fixed	Potted	CF E4KH 0875 AAAA A	6, 8
142A-3691-2400	230 VAC	K t/c	468°C	On/Off	Heat	3A Relay	Fixed	Potted	CF E4LH 0468 AAAA A	6, 8

Series 142

<u>Series 142</u>	Line	Voltage	Input	Temp Range	Control Mode	Action	Output	Set Point	Mounting	Retrofit	See Notes Below
	142A-3692-1200	120 VAC	K t/c	2000°F	High limit	Manual Reset	3A Relay	Fixed	Potted	LF C4KU 2000 AAAA A	6, 8
	142A-3692-1200	120 VAC	K t/c	1093°C	High limit	Manual Reset	3A Relay	Fixed	Potted	LF C4LU 1093 AAAA A	6, 8
	142A-3692-1300	120 VAC	K t/c	2000°F	High limit	Automatic Reset	3A Relay	Fixed	Potted	LF C4KW 2000 AAAA A	6, 8
	142A-3692-1300	120 VAC	K t/c	1093°C	High limit	Automatic Reset	3A Relay	Fixed	Potted	LF C4LW 1093 AAAA A	6, 8
	142A-3692-1400	120 VAC	K t/c	2000°F	On/Off	Heat	3A Relay	Fixed	Potted	CF C4KH 2000 AAAA A	6, 8
	142A-3692-1400	120 VAC	K t/c	1093°C	On/Off	Heat	3A Relay	Fixed	Potted	CF C4LH 1093 AAAA A	6, 8
	142A-3692-2200	230 VAC	K t/c	2000°F	High limit	Manual Reset	3A Relay	Fixed	Potted	LF E4KU 2000 AAAA A	6, 8
	142A-3692-2200	230 VAC	K t/c	1093°C	High limit	Manual Reset	3A Relay	Fixed	Potted	LF E4LU 1093 AAAA A	6, 8
	142A-3692-2300	230 VAC	K t/c	2000°F	High limit	Automatic Reset	3A Relay	Fixed	Potted	LF E4KW 2000 AAAA A	6, 8
	142A-3692-2300	230 VAC	K t/c	1093°C	High limit	Automatic Reset	3A Relay	Fixed	Potted	LF E4LW 1093 AAAA A	6, 8
	142A-3692-2400	230 VAC	K t/c	2000°F	On/Off	Heat	3A Relay	Fixed	Potted	CF E4KH 2000 AAAA A	6, 8
	142A-3692-2400	230 VAC	K t/c	1093°C	On/Off	Heat	3A Relay	Fixed	Potted	CF E4LH 1093 AAAA A	6, 8
	142A-3693-1200	120 VAC	J t/c	650°F	High limit	Manual Reset	3A Relay	Fixed	Potted	LF C4HU 0650 AAAA A	6, 8
	142A-3693-1200	120 VAC	J t/c	343°C	High limit	Manual Reset	3A Relay	Fixed	Potted	LF C4JU 0343 AAAA A	6, 8
	142A-3693-1300	120 VAC	J t/c	650°F	High limit	Automatic Reset	3A Relay	Fixed	Potted	LF C4HW 0650 AAAA A	6, 8
	142A-3693-1300	120 VAC	J t/c	343°C	High limit	Automatic Reset	3A Relay	Fixed	Potted	LF C4JW 0343 AAAA A	6, 8
	142A-3693-1400	120 VAC	J t/c	650°F	On/Off	Heat	3A Relay	Fixed	Potted	CF C4HH 0650 AAAA A	6, 8
	142A-3693-1400	120 VAC	J t/c	343°C	On/Off	Heat	3A Relay	Fixed	Potted	CF C4JH 0343 AAAA A	6, 8
	142A-3693-2200	230 VAC	J t/c	650°F	High limit	Manual Reset	3A Relay	Fixed	Potted	LF E4HU 0650 AAAA A	6, 8
	142A-3693-2200	230 VAC	J t/c	343°C	High limit	Manual Reset	3A Relay	Fixed	Potted	LF E4JU 0343 AAAA A	6, 8
	142A-3693-2300	230 VAC	J t/c	650°F	High limit	Automatic Reset	3A Relay	Fixed	Potted	LF E4HW 0650 AAAA A	6, 8
	142A-3693-2300	230 VAC	J t/c	343°C	High limit	Automatic Reset	3A Relay	Fixed	Potted	LF E4JW 0343 AAAA A	6, 8
	142A-3693-2400	230 VAC	J t/c	650°F	On/Off	Heat	3A Relay	Fixed	Potted	CF E4HH 0650 AAAA A	6, 8
	142A-3693-2400	230 VAC	J t/c	343°C	On/Off	Heat	3A Relay	Fixed	Potted	CF E4JH 0343 AAAA A	6, 8
	142A-3694-1200	120 VAC	T t/c	275°F	High limit	Manual Reset	3A Relay	Fixed	Potted	LF C4MU 0275 AAAA A	6, 8
	142A-3694-1200	120 VAC	T t/c	135°C	High limit	Manual Reset	3A Relay	Fixed	Potted	LF C4NU 0135 AAAA A	6, 8
	142A-3694-1300	120 VAC	T t/c	275°F	High limit	Automatic Reset	3A Relay	Fixed	Potted	LF C4MW 0275 AAAA A	6, 8
	142A-3694-1300	120 VAC	T t/c	135°C	High limit	Automatic Reset	3A Relay	Fixed	Potted	LF C4NW 0135 AAAA A	6, 8
	142A-3694-1400	120 VAC	T t/c	275°F	On/Off	Heat	3A Relay	Fixed	Potted	CF C4MH 0275 AAAA A	6, 8
	142A-3694-1400	120 VAC	T t/c	135°C	On/Off	Heat	3A Relay	Fixed	Potted	CF C4NH 0135 AAAA A	6, 8
	142A-3694-2200	230 VAC	T t/c	275°F	High limit	Manual Reset	3A Relay	Fixed	Potted	LF E4MU 0275 AAAA A	6, 8
	142A-3694-2200	230 VAC	T t/c	135°C	High limit	Manual Reset	3A Relay	Fixed	Potted	LF E4NU 0135 AAAA A	6, 8
	142A-3694-2300	230 VAC	T t/c	275°F	High limit	Automatic Reset	3A Relay	Fixed	Potted	LF E4MW 0275 AAAA A	6, 8
	142A-3694-2300	230 VAC	T t/c	135°C	High limit	Automatic Reset	3A Relay	Fixed	Potted	LF E4NW 0135 AAAA A	6, 8
	142A-3694-2400	230 VAC	T t/c	275°F	On/Off	Heat	3A Relay	Fixed	Potted	CF E4MH 0275 AAAA A	6, 8
	142A-3694-2400	230 VAC	T t/c	135°C	On/Off	Heat	3A Relay	Fixed	Potted	CF E4NH 0135 AAAA A	6, 8
	142A-3695-1200	120 VAC	K t/c	572°F	High limit	Manual Reset	3A Relay	Fixed	Potted	LF C4KU 0572 AAAA A	6, 8
	142A-3695-1200	120 VAC	K t/c	300°C	High limit	Manual Reset	3A Relay	Fixed	Potted	LF C4LU 0300 AAAA A	6, 8
	142A-3695-1300	120 VAC	K t/c	572°F	High limit	Automatic Reset	3A Relay	Fixed	Potted	LF C4KW 0572 AAAA A	6, 8
	142A-3695-1300	120 VAC	K t/c	300°C	High limit	Automatic Reset	3A Relay	Fixed	Potted	LF C4LW 0300 AAAA A	6, 8
	142A-3695-1400	120 VAC	K t/c	572°F	On/Off	Heat	3A Relay	Fixed	Potted	CF C4KH 0572 AAAA A	6, 8

Series 142

<u>Series 142</u>	Line	Voltage	Input	Temp Range	Control Mode	Action	Output	Set Point	Mounting	Retrofit	See Notes Below
	142A-3695-1400	120 VAC	K t/c	300°C	On/Off	Heat	3A Relay	Fixed	Potted	CF C4LH 0300 AAAA A	6, 8
	142A-3695-2200	230 VAC	K t/c	572°F	High limit	Manual Reset	3A Relay	Fixed	Potted	LF E4KU 0572 AAAA A	6, 8
	142A-3695-2200	230 VAC	K t/c	300°C	High limit	Manual Reset	3A Relay	Fixed	Potted	LF E4LU 0300 AAAA A	6, 8
	142A-3695-2300	230 VAC	K t/c	572°F	High limit	Automatic Reset	3A Relay	Fixed	Potted	LF E4KW 0572 AAAA A	6, 8
	142A-3695-2300	230 VAC	K t/c	300°C	High limit	Automatic Reset	3A Relay	Fixed	Potted	LF E4LW 0300 AAAA A	6, 8
	142A-3695-2400	230 VAC	K t/c	572°F	On/Off	Heat	3A Relay	Fixed	Potted	CF E4KH 0572 AAAA A	6, 8
	142A-3695-2400	230 VAC	K t/c	300°C	On/Off	Heat	3A Relay	Fixed	Potted	CF E4LH 0300 AAAA A	6, 8
	142A-3697-1200	120 VAC	J t/c	825°F	High limit	Manual Reset	3A Relay	Fixed	Potted	LF C4HU 0825 AAAA A	6, 8
	142A-3697-1200	120 VAC	J t/c	441°C	High limit	Manual Reset	3A Relay	Fixed	Potted	LF C4JU 0441 AAAA A	6, 8
	142A-3697-1300	120 VAC	J t/c	825°F	High limit	Automatic Reset	3A Relay	Fixed	Potted	LF C4HW 0825 AAAA A	6, 8
	142A-3697-1300	120 VAC	J t/c	441°C	High limit	Automatic Reset	3A Relay	Fixed	Potted	LF C4JW 0441 AAAA A	6, 8
	142A-3697-1400	120 VAC	J t/c	825°F	On/Off	Heat	3A Relay	Fixed	Potted	CF C4HH 0825 AAAA A	6, 8
	142A-3697-1400	120 VAC	J t/c	441°C	On/Off	Heat	3A Relay	Fixed	Potted	CF C4JH 0441 AAAA A	6, 8
	142A-3697-2200	230 VAC	J t/c	825°F	High limit	Manual Reset	3A Relay	Fixed	Potted	LF E4HU 0825 AAAA A	6, 8
	142A-3697-2200	230 VAC	J t/c	441°C	High limit	Manual Reset	3A Relay	Fixed	Potted	LF E4JU 0441 AAAA A	6, 8
	142A-3697-2300	230 VAC	J t/c	825°F	High limit	Automatic Reset	3A Relay	Fixed	Potted	LF E4HW 0825 AAAA A	6, 8
	142A-3697-2300	230 VAC	J t/c	441°C	High limit	Automatic Reset	3A Relay	Fixed	Potted	LF E4JW 0441 AAAA A	6, 8
	142A-3697-2400	230 VAC	J t/c	825°F	On/Off	Heat	3A Relay	Fixed	Potted	CF E4HH 0825 AAAA A	6, 8
	142A-3697-2400	230 VAC	J t/c	441°C	On/Off	Heat	3A Relay	Fixed	Potted	CF E4JH 0441 AAAA A	6, 8
	142A-3698-1200	120 VAC	J t/c	450°F	High limit	Manual Reset	3A Relay	Fixed	Potted	LF C4HU 0450 AAAA A	6, 8
	142A-3698-1200	120 VAC	J t/c	232°C	High limit	Manual Reset	3A Relay	Fixed	Potted	LF C4JU 0232 AAAA A	6, 8
	142A-3698-1300	120 VAC	J t/c	450°F	High limit	Automatic Reset	3A Relay	Fixed	Potted	LF C4HW 0450 AAAA A	6, 8
	142A-3698-1300	120 VAC	J t/c	232°C	High limit	Automatic Reset	3A Relay	Fixed	Potted	LF C4JW 0232 AAAA A	6, 8
	142A-3698-1400	120 VAC	J t/c	450°F	On/Off	Heat	3A Relay	Fixed	Potted	CF C4HH 0450 AAAA A	6, 8
	142A-3698-1400	120 VAC	J t/c	232°C	On/Off	Heat	3A Relay	Fixed	Potted	CF C4JH 0232 AAAA A	6, 8
	142A-3698-2200	230 VAC	J t/c	450°F	High limit	Manual Reset	3A Relay	Fixed	Potted	LF E4HU 0450 AAAA A	6, 8
	142A-3698-2200	230 VAC	J t/c	232°C	High limit	Manual Reset	3A Relay	Fixed	Potted	LF E4JU 0232 AAAA A	6, 8
	142A-3698-2300	230 VAC	J t/c	450°F	High limit	Automatic Reset	3A Relay	Fixed	Potted	LF E4HW 0450 AAAA A	6, 8
	142A-3698-2300	230 VAC	J t/c	232°C	High limit	Automatic Reset	3A Relay	Fixed	Potted	LF E4JW 0232 AAAA A	6, 8
	142A-3698-2400	230 VAC	J t/c	450°F	On/Off	Heat	3A Relay	Fixed	Potted	CF E4HH 0450 AAAA A	6, 8
	142A-3698-2400	230 VAC	J t/c	232°C	On/Off	Heat	3A Relay	Fixed	Potted	CF E4JH 0232 AAAA A	6, 8
	142A-3699-1200	120 VAC	J t/c	425°F	High limit	Manual Reset	3A Relay	Fixed	Potted	LF C4HU 0425 AAAA A	6, 8
	142A-3699-1200	120 VAC	J t/c	218°C	High limit	Manual Reset	3A Relay	Fixed	Potted	LF C4JU 0218 AAAA A	6, 8
	142A-3699-1300	120 VAC	J t/c	425°F	High limit	Automatic Reset	3A Relay	Fixed	Potted	LF C4HW 0425 AAAA A	6, 8
	142A-3699-1300	120 VAC	J t/c	218°C	High limit	Automatic Reset	3A Relay	Fixed	Potted	LF C4JW 0218 AAAA A	6, 8
	142A-3699-1400	120 VAC	J t/c	425°F	On/Off	Heat	3A Relay	Fixed	Potted	CF C4HH 0425 AAAA A	6, 8
	142A-3699-1400	120 VAC	J t/c	218°C	On/Off	Heat	3A Relay	Fixed	Potted	CF C4JH 0218 AAAA A	6, 8
	142A-3699-2200	230 VAC	J t/c	425°F	High limit	Manual Reset	3A Relay	Fixed	Potted	LF E4HU 0425 AAAA A	6, 8
	142A-3699-2200	230 VAC	J t/c	218°C	High limit	Manual Reset	3A Relay	Fixed	Potted	LF E4JU 0218 AAAA A	6, 8
	142A-3699-2300	230 VAC	J t/c	425°F	High limit	Automatic Reset	3A Relay	Fixed	Potted	LF E4HW 0425 AAAA A	6, 8
	142A-3699-2300	230 VAC	J t/c	218°C	High limit	Automatic Reset	3A Relay	Fixed	Potted	LF E4JW 0218 AAAA A	6, 8

Series 142

<u>Series 142</u>	Line	Voltage	Input	Temp Range	Control Mode	Action	Output	Set Point	Mounting	Retrofit	See Notes Below
	142A-3699-2400	230 VAC	J t/c	425°F	On/Off	Heat	3A Relay	Fixed	Potted	CF E4HH 0425 AAAA A	6, 8
	142A-3699-2400	230 VAC	J t/c	218°C	On/Off	Heat	3A Relay	Fixed	Potted	CF E4JH 0218 AAAA A	6, 8
	142A-3700-1200	120 VAC	K t/c	200°F	High limit	Manual Reset	3A Relay	Fixed	Potted	LF C4KU 0200 AAAA A	6, 8
	142A-3700-1200	120 VAC	K t/c	93°C	High limit	Manual Reset	3A Relay	Fixed	Potted	LF C4LU 0093 AAAA A	6, 8
	142A-3700-1300	120 VAC	K t/c	200°F	High limit	Automatic Reset	3A Relay	Fixed	Potted	LF C4KW 0200 AAAA A	6, 8
	142A-3700-1300	120 VAC	K t/c	93°C	High limit	Automatic Reset	3A Relay	Fixed	Potted	LF C4LW 0093 AAAA A	6, 8
	142A-3700-1400	120 VAC	K t/c	200°F	On/Off	Heat	3A Relay	Fixed	Potted	CF C4KH 0200 AAAA A	6, 8
	142A-3700-1400	120 VAC	K t/c	93°C	On/Off	Heat	3A Relay	Fixed	Potted	CF C4LH 0093 AAAA A	6, 8
	142A-3700-2200	230 VAC	K t/c	200°F	High limit	Manual Reset	3A Relay	Fixed	Potted	LF E4KU 0200 AAAA A	6, 8
	142A-3700-2200	230 VAC	K t/c	93°C	High limit	Manual Reset	3A Relay	Fixed	Potted	LF E4LU 0093 AAAA A	6, 8
	142A-3700-2300	230 VAC	K t/c	200°F	High limit	Automatic Reset	3A Relay	Fixed	Potted	LF E4KW 0200 AAAA A	6, 8
	142A-3700-2300	230 VAC	K t/c	93°C	High limit	Automatic Reset	3A Relay	Fixed	Potted	LF E4LW 0093 AAAA A	6, 8
	142A-3700-2400	230 VAC	K t/c	200°F	On/Off	Heat	3A Relay	Fixed	Potted	CF E4KH 0200 AAAA A	6, 8
	142A-3700-2400	230 VAC	K t/c	93°C	On/Off	Heat	3A Relay	Fixed	Potted	CF E4LH 0093 AAAA A	6, 8
	142A-3701-1200	120 VAC	K t/c	150°F	High limit	Manual Reset	3A Relay	Fixed	Potted	LF C4KU 0150 AAAA A	6, 8
	142A-3701-1200	120 VAC	K t/c	66°C	High limit	Manual Reset	3A Relay	Fixed	Potted	LF C4LU 0066 AAAA A	6, 8
	142A-3701-1300	120 VAC	K t/c	150°F	High limit	Automatic Reset	3A Relay	Fixed	Potted	LF C4KW 0150 AAAA A	6, 8
	142A-3701-1300	120 VAC	K t/c	66°C	High limit	Automatic Reset	3A Relay	Fixed	Potted	LF C4LW 0066 AAAA A	6, 8
	142A-3701-1400	120 VAC	K t/c	150°F	On/Off	Heat	3A Relay	Fixed	Potted	CF C4KH 0150 AAAA A	6, 8
	142A-3701-1400	120 VAC	K t/c	66°C	On/Off	Heat	3A Relay	Fixed	Potted	CF C4LH 0066 AAAA A	6, 8
	142A-3701-2200	230 VAC	K t/c	150°F	High limit	Manual Reset	3A Relay	Fixed	Potted	LF E4KU 0150 AAAA A	6, 8
	142A-3701-2200	230 VAC	K t/c	66°C	High limit	Manual Reset	3A Relay	Fixed	Potted	LF E4LU 0066 AAAA A	6, 8
	142A-3701-2300	230 VAC	K t/c	150°F	High limit	Automatic Reset	3A Relay	Fixed	Potted	LF E4KW 0150 AAAA A	6, 8
	142A-3701-2300	230 VAC	K t/c	66°C	High limit	Automatic Reset	3A Relay	Fixed	Potted	LF E4LW 0066 AAAA A	6, 8
	142A-3701-2400	230 VAC	K t/c	150°F	On/Off	Heat	3A Relay	Fixed	Potted	CF E4KH 0150 AAAA A	6, 8
	142A-3701-2400	230 VAC	K t/c	66°C	On/Off	Heat	3A Relay	Fixed	Potted	CF E4LH 0066 AAAA A	6, 8
	142A-3703-1200	120 VAC	K t/c	140°F	High limit	Manual Reset	3A Relay	Fixed	Potted	LF C4KU 0140 AAAA A	6, 8
	142A-3703-1200	120 VAC	K t/c	60°C	High limit	Manual Reset	3A Relay	Fixed	Potted	LF C4LU 0060 AAAA A	6, 8
	142A-3703-1300	120 VAC	K t/c	140°F	High limit	Automatic Reset	3A Relay	Fixed	Potted	LF C4KW 0140 AAAA A	6, 8
	142A-3703-1300	120 VAC	K t/c	60°C	High limit	Automatic Reset	3A Relay	Fixed	Potted	LF C4LW 0060 AAAA A	6, 8
	142A-3703-1400	120 VAC	K t/c	140°F	On/Off	Heat	3A Relay	Fixed	Potted	CF C4KH 0140 AAAA A	6, 8
	142A-3703-1400	120 VAC	K t/c	60°C	On/Off	Heat	3A Relay	Fixed	Potted	CF C4LH 0060 AAAA A	6, 8
	142A-3703-2200	230 VAC	K t/c	140°F	High limit	Manual Reset	3A Relay	Fixed	Potted	LF E4KU 0140 AAAA A	6, 8
	142A-3703-2200	230 VAC	K t/c	60°C	High limit	Manual Reset	3A Relay	Fixed	Potted	LF E4LU 0060 AAAA A	6, 8
	142A-3703-2300	230 VAC	K t/c	140°F	High limit	Automatic Reset	3A Relay	Fixed	Potted	LF E4KW 0140 AAAA A	6, 8
	142A-3703-2300	230 VAC	K t/c	60°C	High limit	Automatic Reset	3A Relay	Fixed	Potted	LF E4LW 0060 AAAA A	6, 8
	142A-3703-2400	230 VAC	K t/c	140°F	On/Off	Heat	3A Relay	Fixed	Potted	CF E4KH 0140 AAAA A	6, 8
	142A-3703-2400	230 VAC	K t/c	60°C	On/Off	Heat	3A Relay	Fixed	Potted	CF E4LH 0060 AAAA A	6, 8
	142A-3704-1200	120 VAC	J t/c	465°F	High limit	Manual Reset	3A Relay	Fixed	Potted	LF C4HU 0465 AAAA A	6, 8
	142A-3704-1200	120 VAC	J t/c	241°C	High limit	Manual Reset	3A Relay	Fixed	Potted	LF C4JU 0241 AAAA A	6, 8
	142A-3704-1300	120 VAC	J t/c	465°F	High limit	Automatic Reset	3A Relay	Fixed	Potted	LF C4HW 0465 AAAA A	6, 8

Series 142

<u>Series 142</u>	Line	Voltage	Input	Temp Range	Control Mode	Action	Output	Set Point	Mounting	Retrofit	See Notes Below
	142A-3704-1300	120 VAC	J t/c	241°C	High limit	Automatic Reset	3A Relay	Fixed	Potted	LF C4JW 0241 AAAA A	6, 8
	142A-3704-1400	120 VAC	J t/c	465°F	On/Off	Heat	3A Relay	Fixed	Potted	CF C4HH 0465 AAAA A	6, 8
	142A-3704-1400	120 VAC	J t/c	241°C	On/Off	Heat	3A Relay	Fixed	Potted	CF C4JH 0241 AAAA A	6, 8
	142A-3704-2200	230 VAC	J t/c	465°F	High limit	Manual Reset	3A Relay	Fixed	Potted	LF E4HU 0465 AAAA A	6, 8
	142A-3704-2200	230 VAC	J t/c	241°C	High limit	Manual Reset	3A Relay	Fixed	Potted	LF E4JU 0241 AAAA A	6, 8
	142A-3704-2300	230 VAC	J t/c	465°F	High limit	Automatic Reset	3A Relay	Fixed	Potted	LF E4HW 0465 AAAA A	6, 8
	142A-3704-2300	230 VAC	J t/c	241°C	High limit	Automatic Reset	3A Relay	Fixed	Potted	LF E4JW 0241 AAAA A	6, 8
	142A-3704-2400	230 VAC	J t/c	465°F	On/Off	Heat	3A Relay	Fixed	Potted	CF E4HH 0465 AAAA A	6, 8
	142A-3704-2400	230 VAC	J t/c	241°C	On/Off	Heat	3A Relay	Fixed	Potted	CF E4JH 0241 AAAA A	6, 8
	142A-3707-1200	120 VAC	J t/c	360°F	High limit	Manual Reset	3A Relay	Fixed	Potted	LF C4HU 0360 AAAA A	6, 8
	142A-3707-1200	120 VAC	J t/c	182°C	High limit	Manual Reset	3A Relay	Fixed	Potted	LF C4JU 0182 AAAA A	6, 8
	142A-3707-1300	120 VAC	J t/c	360°F	High limit	Automatic Reset	3A Relay	Fixed	Potted	LF C4HW 0360 AAAA A	6, 8
	142A-3707-1300	120 VAC	J t/c	182°C	High limit	Automatic Reset	3A Relay	Fixed	Potted	LF C4JW 0182 AAAA A	6, 8
	142A-3707-1400	120 VAC	J t/c	360°F	On/Off	Heat	3A Relay	Fixed	Potted	CF C4HH 0360 AAAA A	6, 8
	142A-3707-1400	120 VAC	J t/c	182°C	On/Off	Heat	3A Relay	Fixed	Potted	CF C4JH 0182 AAAA A	6, 8
	142A-3707-2200	230 VAC	J t/c	360°F	High limit	Manual Reset	3A Relay	Fixed	Potted	LF E4HU 0360 AAAA A	6, 8
	142A-3707-2200	230 VAC	J t/c	182°C	High limit	Manual Reset	3A Relay	Fixed	Potted	LF E4JU 0182 AAAA A	6, 8
	142A-3707-2300	230 VAC	J t/c	360°F	High limit	Automatic Reset	3A Relay	Fixed	Potted	LF E4HW 0360 AAAA A	6, 8
	142A-3707-2300	230 VAC	J t/c	182°C	High limit	Automatic Reset	3A Relay	Fixed	Potted	LF E4JW 0182 AAAA A	6, 8
	142A-3707-2400	230 VAC	J t/c	360°F	On/Off	Heat	3A Relay	Fixed	Potted	CF E4HH 0360 AAAA A	6, 8
	142A-3707-2400	230 VAC	J t/c	182°C	On/Off	Heat	3A Relay	Fixed	Potted	CF E4JH 0182 AAAA A	6, 8
	142A-3708-1200	120 VAC	T t/c	-4°F	High limit	Manual Reset	3A Relay	Fixed	Potted	LF C4MU 00-4 AAAA A	6, 8
	142A-3708-1200	120 VAC	T t/c	-20°C	High limit	Manual Reset	3A Relay	Fixed	Potted	LF C4NU 0-20 AAAA A	6, 8
	142A-3708-1300	120 VAC	T t/c	-4°F	High limit	Automatic Reset	3A Relay	Fixed	Potted	LF C4MW 00-4 AAAA A	6, 8
	142A-3708-1300	120 VAC	T t/c	-20°C	High limit	Automatic Reset	3A Relay	Fixed	Potted	LF C4NW 0-20 AAAA A	6, 8
	142A-3708-1400	120 VAC	T t/c	-4°F	On/Off	Heat	3A Relay	Fixed	Potted	CF C4MH 00-4 AAAA A	6, 8
	142A-3708-1400	120 VAC	T t/c	-20°C	On/Off	Heat	3A Relay	Fixed	Potted	CF C4NH 0-20 AAAA A	6, 8
	142A-3708-2200	230 VAC	T t/c	-4°F	High limit	Manual Reset	3A Relay	Fixed	Potted	LF E4MU 00-4 AAAA A	6, 8
	142A-3708-2200	230 VAC	T t/c	-20°C	High limit	Manual Reset	3A Relay	Fixed	Potted	LF E4NU 0-20 AAAA A	6, 8
	142A-3708-2300	230 VAC	T t/c	-4°F	High limit	Automatic Reset	3A Relay	Fixed	Potted	LF E4MW 00-4 AAAA A	6, 8
	142A-3708-2300	230 VAC	T t/c	-20°C	High limit	Automatic Reset	3A Relay	Fixed	Potted	LF E4NW 0-20 AAAA A	6, 8
	142A-3708-2400	230 VAC	T t/c	-4°F	On/Off	Heat	3A Relay	Fixed	Potted	CF E4MH 00-4 AAAA A	6, 8
	142A-3708-2400	230 VAC	T t/c	-20°C	On/Off	Heat	3A Relay	Fixed	Potted	CF E4NH 0-20 AAAA A	6, 8
	142A-3709-1200	120 VAC	K t/c	975°F	High limit	Manual Reset	3A Relay	Fixed	Potted	LF C4KU 0975 AAAA A	6, 8
	142A-3709-1200	120 VAC	K t/c	524°C	High limit	Manual Reset	3A Relay	Fixed	Potted	LF C4LU 0524 AAAA A	6, 8
	142A-3709-1300	120 VAC	K t/c	975°F	High limit	Automatic Reset	3A Relay	Fixed	Potted	LF C4KW 0975 AAAA A	6, 8
	142A-3709-1300	120 VAC	K t/c	524°C	High limit	Automatic Reset	3A Relay	Fixed	Potted	LF C4LW 0524 AAAA A	6, 8
	142A-3709-1400	120 VAC	K t/c	975°F	On/Off	Heat	3A Relay	Fixed	Potted	CF C4KH 0975 AAAA A	6, 8
	142A-3709-1400	120 VAC	K t/c	524°C	On/Off	Heat	3A Relay	Fixed	Potted	CF C4LH 0524 AAAA A	6, 8
	142A-3709-2200	230 VAC	K t/c	975°F	High limit	Manual Reset	3A Relay	Fixed	Potted	LF E4KU 0975 AAAA A	6, 8
	142A-3709-2200	230 VAC	K t/c	524°C	High limit	Manual Reset	3A Relay	Fixed	Potted	LF E4LU 0524 AAAA A	6, 8

Series 142

<u>Series 142</u>	Line	Voltage	Input	Temp Range	Control Mode	Action	Output	Set Point	Mounting	Retrofit	See Notes Below
	142A-3709-2300	230 VAC	K t/c	975°F	High limit	Automatic Reset	3A Relay	Fixed	Potted	LF E4KW 0975 AAAA A	6, 8
	142A-3709-2300	230 VAC	K t/c	524°C	High limit	Automatic Reset	3A Relay	Fixed	Potted	LF E4LW 0524 AAAA A	6, 8
	142A-3709-2400	230 VAC	K t/c	975°F	On/Off	Heat	3A Relay	Fixed	Potted	CF E4KH 0975 AAAA A	6, 8
	142A-3709-2400	230 VAC	K t/c	524°C	On/Off	Heat	3A Relay	Fixed	Potted	CF E4LH 0524 AAAA A	6, 8
	142A-3710-1200	120 VAC	T t/c	482°F	High limit	Manual Reset	3A Relay	Fixed	Potted	LF C4MU 0482 AAAA A	6, 8
	142A-3710-1200	120 VAC	T t/c	250°C	High limit	Manual Reset	3A Relay	Fixed	Potted	LF C4NU 0250 AAAA A	6, 8
	142A-3710-1300	120 VAC	T t/c	482°F	High limit	Automatic Reset	3A Relay	Fixed	Potted	LF C4MW 0482 AAAA A	6, 8
	142A-3710-1300	120 VAC	T t/c	250°C	High limit	Automatic Reset	3A Relay	Fixed	Potted	LF C4NW 0250 AAAA A	6, 8
	142A-3710-1400	120 VAC	T t/c	482°F	On/Off	Heat	3A Relay	Fixed	Potted	CF C4MH 0482 AAAA A	6, 8
	142A-3710-1400	120 VAC	T t/c	250°C	On/Off	Heat	3A Relay	Fixed	Potted	CF C4NH 0250 AAAA A	6, 8
	142A-3710-2200	230 VAC	T t/c	482°F	High limit	Manual Reset	3A Relay	Fixed	Potted	LF E4MU 0482 AAAA A	6, 8
	142A-3710-2200	230 VAC	T t/c	250°C	High limit	Manual Reset	3A Relay	Fixed	Potted	LF E4NU 0250 AAAA A	6, 8
	142A-3710-2300	230 VAC	T t/c	482°F	High limit	Automatic Reset	3A Relay	Fixed	Potted	LF E4MW 0482 AAAA A	6, 8
	142A-3710-2300	230 VAC	T t/c	250°C	High limit	Automatic Reset	3A Relay	Fixed	Potted	LF E4NW 0250 AAAA A	6, 8
	142A-3710-2400	230 VAC	T t/c	482°F	On/Off	Heat	3A Relay	Fixed	Potted	CF E4MH 0482 AAAA A	6, 8
	142A-3710-2400	230 VAC	T t/c	250°C	On/Off	Heat	3A Relay	Fixed	Potted	CF E4NH 0250 AAAA A	6, 8
	142A-3711-1200	120 VAC	K t/c	125°F	High limit	Manual Reset	3A Relay	Fixed	Potted	LF C4KU 0125 AAAA A	6, 8
	142A-3711-1200	120 VAC	K t/c	52°C	High limit	Manual Reset	3A Relay	Fixed	Potted	LF C4LU 0052 AAAA A	6, 8
	142A-3711-1300	120 VAC	K t/c	125°F	High limit	Automatic Reset	3A Relay	Fixed	Potted	LF C4KW 0125 AAAA A	6, 8
	142A-3711-1300	120 VAC	K t/c	52°C	High limit	Automatic Reset	3A Relay	Fixed	Potted	LF C4LW 0052 AAAA A	6, 8
	142A-3711-1400	120 VAC	K t/c	125°F	On/Off	Heat	3A Relay	Fixed	Potted	CF C4KH 0125 AAAA A	6, 8
	142A-3711-1400	120 VAC	K t/c	52°C	On/Off	Heat	3A Relay	Fixed	Potted	CF C4LH 0052 AAAA A	6, 8
	142A-3711-2200	230 VAC	K t/c	125°F	High limit	Manual Reset	3A Relay	Fixed	Potted	LF E4KU 0125 AAAA A	6, 8
	142A-3711-2200	230 VAC	K t/c	52°C	High limit	Manual Reset	3A Relay	Fixed	Potted	LF E4LU 0052 AAAA A	6, 8
	142A-3711-2300	230 VAC	K t/c	125°F	High limit	Automatic Reset	3A Relay	Fixed	Potted	LF E4KW 0125 AAAA A	6, 8
	142A-3711-2300	230 VAC	K t/c	52°C	High limit	Automatic Reset	3A Relay	Fixed	Potted	LF E4LW 0052 AAAA A	6, 8
	142A-3711-2400	230 VAC	K t/c	125°F	On/Off	Heat	3A Relay	Fixed	Potted	CF E4KH 0125 AAAA A	6, 8
	142A-3711-2400	230 VAC	K t/c	52°C	On/Off	Heat	3A Relay	Fixed	Potted	CF E4LH 0052 AAAA A	6, 8
	142A-3712-1200	120 VAC	T t/c	347°F	High limit	Manual Reset	3A Relay	Fixed	Potted	LF C4MU 0347 AAAA A	6, 8
	142A-3712-1200	120 VAC	T t/c	175°C	High limit	Manual Reset	3A Relay	Fixed	Potted	LF C4NU 0175 AAAA A	6, 8
	142A-3712-1300	120 VAC	T t/c	347°F	High limit	Automatic Reset	3A Relay	Fixed	Potted	LF C4MW 0347 AAAA A	6, 8
	142A-3712-1300	120 VAC	T t/c	175°C	High limit	Automatic Reset	3A Relay	Fixed	Potted	LF C4NW 0175 AAAA A	6, 8
	142A-3712-1400	120 VAC	T t/c	347°F	On/Off	Heat	3A Relay	Fixed	Potted	CF C4MH 0347 AAAA A	6, 8
	142A-3712-1400	120 VAC	T t/c	175°C	On/Off	Heat	3A Relay	Fixed	Potted	CF C4NH 0175 AAAA A	6, 8
	142A-3712-2200	230 VAC	T t/c	347°F	High limit	Manual Reset	3A Relay	Fixed	Potted	LF E4MU 0347 AAAA A	6, 8
	142A-3712-2200	230 VAC	T t/c	175°C	High limit	Manual Reset	3A Relay	Fixed	Potted	LF E4NU 0175 AAAA A	6, 8
	142A-3712-2300	230 VAC	T t/c	347°F	High limit	Automatic Reset	3A Relay	Fixed	Potted	LF E4MW 0347 AAAA A	6, 8
	142A-3712-2300	230 VAC	T t/c	175°C	High limit	Automatic Reset	3A Relay	Fixed	Potted	LF E4NW 0175 AAAA A	6, 8
	142A-3712-2400	230 VAC	T t/c	347°F	On/Off	Heat	3A Relay	Fixed	Potted	CF E4MH 0347 AAAA A	6, 8
	142A-3712-2400	230 VAC	T t/c	175°C	On/Off	Heat	3A Relay	Fixed	Potted	CF E4NH 0175 AAAA A	6, 8
	142A-3713-1200	120 VAC	T t/c	392°F	High limit	Manual Reset	3A Relay	Fixed	Potted	LF C4MU 0392 AAAA A	6, 8

Series 142

<u>Series 142</u>	Line	Voltage	Input	Temp Range	Control Mode	Action	Output	Set Point	Mounting	Retrofit	See Notes Below
	142A-3713-1200	120 VAC	T t/c	200°C	High limit	Manual Reset	3A Relay	Fixed	Potted	LF C4NU 0200 AAAA A	6, 8
	142A-3713-1300	120 VAC	T t/c	392°F	High limit	Automatic Reset	3A Relay	Fixed	Potted	LF C4MW 0392 AAAA A	6, 8
	142A-3713-1300	120 VAC	T t/c	200°C	High limit	Automatic Reset	3A Relay	Fixed	Potted	LF C4NW 0200 AAAA A	6, 8
	142A-3713-1400	120 VAC	T t/c	392°F	On/Off	Heat	3A Relay	Fixed	Potted	CF C4MH 0392 AAAA A	6, 8
	142A-3713-1400	120 VAC	T t/c	200°C	On/Off	Heat	3A Relay	Fixed	Potted	CF C4NH 0200 AAAA A	6, 8
	142A-3713-2200	230 VAC	T t/c	392°F	High limit	Manual Reset	3A Relay	Fixed	Potted	LF E4MU 0392 AAAA A	6, 8
	142A-3713-2200	230 VAC	T t/c	200°C	High limit	Manual Reset	3A Relay	Fixed	Potted	LF E4NU 0200 AAAA A	6, 8
	142A-3713-2300	230 VAC	T t/c	392°F	High limit	Automatic Reset	3A Relay	Fixed	Potted	LF E4MW 0392 AAAA A	6, 8
	142A-3713-2300	230 VAC	T t/c	200°C	High limit	Automatic Reset	3A Relay	Fixed	Potted	LF E4NW 0200 AAAA A	6, 8
	142A-3713-2400	230 VAC	T t/c	392°F	On/Off	Heat	3A Relay	Fixed	Potted	CF E4MH 0392 AAAA A	6, 8
	142A-3713-2400	230 VAC	T t/c	200°C	On/Off	Heat	3A Relay	Fixed	Potted	CF E4NH 0200 AAAA A	6, 8
	142A-3714-1200	120 VAC	T t/c	175°F	High limit	Manual Reset	3A Relay	Fixed	Potted	LF C4MU 0175 AAAA A	6, 8
	142A-3714-1200	120 VAC	T t/c	79°C	High limit	Manual Reset	3A Relay	Fixed	Potted	LF C4NU 0079 AAAA A	6, 8
	142A-3714-1300	120 VAC	T t/c	175°F	High limit	Automatic Reset	3A Relay	Fixed	Potted	LF C4MW 0175 AAAA A	6, 8
	142A-3714-1300	120 VAC	T t/c	79°C	High limit	Automatic Reset	3A Relay	Fixed	Potted	LF C4NW 0079 AAAA A	6, 8
	142A-3714-1400	120 VAC	T t/c	175°F	On/Off	Heat	3A Relay	Fixed	Potted	CF C4MH 0175 AAAA A	6, 8
	142A-3714-1400	120 VAC	T t/c	79°C	On/Off	Heat	3A Relay	Fixed	Potted	CF C4NH 0079 AAAA A	6, 8
	142A-3714-2200	230 VAC	T t/c	175°F	High limit	Manual Reset	3A Relay	Fixed	Potted	LF E4MU 0175 AAAA A	6, 8
	142A-3714-2200	230 VAC	T t/c	79°C	High limit	Manual Reset	3A Relay	Fixed	Potted	LF E4NU 0079 AAAA A	6, 8
	142A-3714-2300	230 VAC	T t/c	175°F	High limit	Automatic Reset	3A Relay	Fixed	Potted	LF E4MW 0175 AAAA A	6, 8
	142A-3714-2300	230 VAC	T t/c	79°C	High limit	Automatic Reset	3A Relay	Fixed	Potted	LF E4NW 0079 AAAA A	6, 8
	142A-3714-2400	230 VAC	T t/c	175°F	On/Off	Heat	3A Relay	Fixed	Potted	CF E4MH 0175 AAAA A	6, 8
	142A-3714-2400	230 VAC	T t/c	79°C	On/Off	Heat	3A Relay	Fixed	Potted	CF E4NH 0079 AAAA A	6, 8
	142A-3715-1200	120 VAC	J t/c	265°F	High limit	Manual Reset	3A Relay	Fixed	Potted	LF C4HU 00265 AAAA A	6, 8
	142A-3715-1200	120 VAC	J t/c	129°C	High limit	Manual Reset	3A Relay	Fixed	Potted	LF C4JU 0129 AAAA A	6, 8
	142A-3715-1300	120 VAC	J t/c	265°F	High limit	Automatic Reset	3A Relay	Fixed	Potted	LF C4HW 00265 AAAA A	6, 8
	142A-3715-1300	120 VAC	J t/c	129°C	High limit	Automatic Reset	3A Relay	Fixed	Potted	LF C4JW 0129 AAAA A	6, 8
	142A-3715-1400	120 VAC	J t/c	265°F	On/Off	Heat	3A Relay	Fixed	Potted	CF C4HH 00265 AAAA A	6, 8
	142A-3715-1400	120 VAC	J t/c	129°C	On/Off	Heat	3A Relay	Fixed	Potted	CF C4JH 0129 AAAA A	6, 8
	142A-3715-2200	230 VAC	J t/c	265°F	High limit	Manual Reset	3A Relay	Fixed	Potted	LF E4HU 00265 AAAA A	6, 8
	142A-3715-2200	230 VAC	J t/c	129°C	High limit	Manual Reset	3A Relay	Fixed	Potted	LF E4JU 0129 AAAA A	6, 8
	142A-3715-2300	230 VAC	J t/c	265°F	High limit	Automatic Reset	3A Relay	Fixed	Potted	LF E4HW 00265 AAAA A	6, 8
	142A-3715-2300	230 VAC	J t/c	129°C	High limit	Automatic Reset	3A Relay	Fixed	Potted	LF E4JW 0129 AAAA A	6, 8
	142A-3715-2400	230 VAC	J t/c	265°F	On/Off	Heat	3A Relay	Fixed	Potted	CF E4HH 00265 AAAA A	6, 8
	142A-3715-2400	230 VAC	J t/c	129°C	On/Off	Heat	3A Relay	Fixed	Potted	CF E4JH 0129 AAAA A	6, 8
	142A-3716-1200	120 VAC	K t/c	122°F	High limit	Manual Reset	3A Relay	Fixed	Potted	LF C4KU 0122 AAAA A	6, 8
	142A-3716-1200	120 VAC	K t/c	50°C	High limit	Manual Reset	3A Relay	Fixed	Potted	LF C4LU 0050 AAAA A	6, 8
	142A-3716-1300	120 VAC	K t/c	122°F	High limit	Automatic Reset	3A Relay	Fixed	Potted	LF C4KW 0122 AAAA A	6, 8
	142A-3716-1300	120 VAC	K t/c	50°C	High limit	Automatic Reset	3A Relay	Fixed	Potted	LF C4LW 0050 AAAA A	6, 8
	142A-3716-1400	120 VAC	K t/c	122°F	On/Off	Heat	3A Relay	Fixed	Potted	CF C4KH 0122 AAAA A	6, 8
	142A-3716-1400	120 VAC	K t/c	50°C	On/Off	Heat	3A Relay	Fixed	Potted	CF C4LH 0050 AAAA A	6, 8

Series 142

<u>Series 142</u>	Line	Voltage	Input	Temp Range	Control Mode	Action	Output	Set Point	Mounting	Retrofit	See Notes Below
	142A-3716-2200	230 VAC	K t/c	122°F	High limit	Manual Reset	3A Relay	Fixed	Potted	LF E4KU 0122 AAAA A	6, 8
	142A-3716-2200	230 VAC	K t/c	50°C	High limit	Manual Reset	3A Relay	Fixed	Potted	LF E4LU 0050 AAAA A	6, 8
	142A-3716-2300	230 VAC	K t/c	122°F	High limit	Automatic Reset	3A Relay	Fixed	Potted	LF E4KW 0122 AAAA A	6, 8
	142A-3716-2300	230 VAC	K t/c	50°C	High limit	Automatic Reset	3A Relay	Fixed	Potted	LF E4LW 0050 AAAA A	6, 8
	142A-3716-2400	230 VAC	K t/c	122°F	On/Off	Heat	3A Relay	Fixed	Potted	CF E4KH 0122 AAAA A	6, 8
	142A-3716-2400	230 VAC	K t/c	50°C	On/Off	Heat	3A Relay	Fixed	Potted	CF E4LH 0050 AAAA A	6, 8
	142A-3717-1200	120 VAC	K t/c	1382°F	High limit	Manual Reset	3A Relay	Fixed	Potted	LF C4KU 1382 AAAA A	6, 8
	142A-3717-1200	120 VAC	K t/c	750°C	High limit	Manual Reset	3A Relay	Fixed	Potted	LF C4LU 0750 AAAA A	6, 8
	142A-3717-1300	120 VAC	K t/c	1382°F	High limit	Automatic Reset	3A Relay	Fixed	Potted	LF C4KW 1382 AAAA A	6, 8
	142A-3717-1300	120 VAC	K t/c	750°C	High limit	Automatic Reset	3A Relay	Fixed	Potted	LF C4LW 0750 AAAA A	6, 8
	142A-3717-1400	120 VAC	K t/c	1382°F	On/Off	Heat	3A Relay	Fixed	Potted	CF C4KH 1382 AAAA A	6, 8
	142A-3717-1400	120 VAC	K t/c	750°C	On/Off	Heat	3A Relay	Fixed	Potted	CF C4LH 0750 AAAA A	6, 8
	142A-3717-2200	230 VAC	K t/c	1382°F	High limit	Manual Reset	3A Relay	Fixed	Potted	LF E4KU 1382 AAAA A	6, 8
	142A-3717-2200	230 VAC	K t/c	750°C	High limit	Manual Reset	3A Relay	Fixed	Potted	LF E4LU 0750 AAAA A	6, 8
	142A-3717-2300	230 VAC	K t/c	1382°F	High limit	Automatic Reset	3A Relay	Fixed	Potted	LF E4KW 1382 AAAA A	6, 8
	142A-3717-2300	230 VAC	K t/c	750°C	High limit	Automatic Reset	3A Relay	Fixed	Potted	LF E4LW 0750 AAAA A	6, 8
	142A-3717-2400	230 VAC	K t/c	1382°F	On/Off	Heat	3A Relay	Fixed	Potted	CF E4KH 1382 AAAA A	6, 8
	142A-3717-2400	230 VAC	K t/c	750°C	On/Off	Heat	3A Relay	Fixed	Potted	CF E4LH 0750 AAAA A	6, 8
	142A-3718-1200	120 VAC	J t/c	61°F	High limit	Manual Reset	3A Relay	Fixed	Potted	LF C4HU 0061 AAAA A	6, 8
	142A-3718-1200	120 VAC	J t/c	16°C	High limit	Manual Reset	3A Relay	Fixed	Potted	LF C4JU 0016 AAAA A	6, 8
	142A-3718-1300	120 VAC	J t/c	61°F	High limit	Automatic Reset	3A Relay	Fixed	Potted	LF C4HW 0061 AAAA A	6, 8
	142A-3718-1300	120 VAC	J t/c	16°C	High limit	Automatic Reset	3A Relay	Fixed	Potted	LF C4JW 0016 AAAA A	6, 8
	142A-3718-1400	120 VAC	J t/c	61°F	On/Off	Heat	3A Relay	Fixed	Potted	CF C4HH 0061 AAAA A	6, 8
	142A-3718-1400	120 VAC	J t/c	16°C	On/Off	Heat	3A Relay	Fixed	Potted	CF C4JH 0016 AAAA A	6, 8
	142A-3718-2200	230 VAC	J t/c	61°F	High limit	Manual Reset	3A Relay	Fixed	Potted	LF E4HU 0061 AAAA A	6, 8
	142A-3718-2200	230 VAC	J t/c	16°C	High limit	Manual Reset	3A Relay	Fixed	Potted	LF E4JU 0016 AAAA A	6, 8
	142A-3718-2300	230 VAC	J t/c	61°F	High limit	Automatic Reset	3A Relay	Fixed	Potted	LF E4HW 0061 AAAA A	6, 8
	142A-3718-2300	230 VAC	J t/c	16°C	High limit	Automatic Reset	3A Relay	Fixed	Potted	LF E4JW 0016 AAAA A	6, 8
	142A-3718-2400	230 VAC	J t/c	61°F	On/Off	Heat	3A Relay	Fixed	Potted	CF E4HH 0061 AAAA A	6, 8
	142A-3718-2400	230 VAC	J t/c	16°C	On/Off	Heat	3A Relay	Fixed	Potted	CF E4JH 0016 AAAA A	6, 8
	142A-3719-1200	120 VAC	J t/c	230°F	High limit	Manual Reset	3A Relay	Fixed	Potted	LF C4HU 0230 AAAA A	6, 8
	142A-3719-1200	120 VAC	J t/c	110°C	High limit	Manual Reset	3A Relay	Fixed	Potted	LF C4JU 0110 AAAA A	6, 8
	142A-3719-1300	120 VAC	J t/c	230°F	High limit	Automatic Reset	3A Relay	Fixed	Potted	LF C4HW 0230 AAAA A	6, 8
	142A-3719-1300	120 VAC	J t/c	110°C	High limit	Automatic Reset	3A Relay	Fixed	Potted	LF C4JW 0110 AAAA A	6, 8
	142A-3719-1400	120 VAC	J t/c	230°F	On/Off	Heat	3A Relay	Fixed	Potted	CF C4HH 0230 AAAA A	6, 8
	142A-3719-1400	120 VAC	J t/c	110°C	On/Off	Heat	3A Relay	Fixed	Potted	CF C4JH 0110 AAAA A	6, 8
	142A-3719-2200	230 VAC	J t/c	230°F	High limit	Manual Reset	3A Relay	Fixed	Potted	LF E4HU 0230 AAAA A	6, 8
	142A-3719-2200	230 VAC	J t/c	110°C	High limit	Manual Reset	3A Relay	Fixed	Potted	LF E4JU 0110 AAAA A	6, 8
	142A-3719-2300	230 VAC	J t/c	230°F	High limit	Automatic Reset	3A Relay	Fixed	Potted	LF E4HW 0230 AAAA A	6, 8
	142A-3719-2300	230 VAC	J t/c	110°C	High limit	Automatic Reset	3A Relay	Fixed	Potted	LF E4JW 0110 AAAA A	6, 8
	142A-3719-2400	230 VAC	J t/c	230°F	On/Off	Heat	3A Relay	Fixed	Potted	CF E4HH 0230 AAAA A	6, 8

Series 142

<u>Series 142</u>	Line	Voltage	Input	Temp Range	Control Mode	Action	Output	Set Point	Mounting	Retrofit	See Notes Below
	142A-3719-2400	230 VAC	J t/c	110°C	On/Off	Heat	3A Relay	Fixed	Potted	CF E4JH 0110 AAAA A	6, 8
	142A-3721-1200	120 VAC	J t/c	100°F	High limit	Manual Reset	3A Relay	Fixed	Potted	LF C4HU 0100 AAAA A	6, 8
	142A-3721-1200	120 VAC	J t/c	38°C	High limit	Manual Reset	3A Relay	Fixed	Potted	LF C4JU 0038 AAAA A	6, 8
	142A-3721-1300	120 VAC	J t/c	100°F	High limit	Automatic Reset	3A Relay	Fixed	Potted	LF C4HW 0100 AAAA A	6, 8
	142A-3721-1300	120 VAC	J t/c	38°C	High limit	Automatic Reset	3A Relay	Fixed	Potted	LF C4JW 0038 AAAA A	6, 8
	142A-3721-1400	120 VAC	J t/c	100°F	On/Off	Heat	3A Relay	Fixed	Potted	CF C4HH 0100 AAAA A	6, 8
	142A-3721-1400	120 VAC	J t/c	38°C	On/Off	Heat	3A Relay	Fixed	Potted	CF C4JH 0038 AAAA A	6, 8
	142A-3721-2200	230 VAC	J t/c	100°F	High limit	Manual Reset	3A Relay	Fixed	Potted	LF E4HU 0100 AAAA A	6, 8
	142A-3721-2200	230 VAC	J t/c	38°C	High limit	Manual Reset	3A Relay	Fixed	Potted	LF E4JU 0038 AAAA A	6, 8
	142A-3721-2300	230 VAC	J t/c	100°F	High limit	Automatic Reset	3A Relay	Fixed	Potted	LF E4HW 0100 AAAA A	6, 8
	142A-3721-2300	230 VAC	J t/c	38°C	High limit	Automatic Reset	3A Relay	Fixed	Potted	LF E4JW 0038 AAAA A	6, 8
	142A-3721-2400	230 VAC	J t/c	100°F	On/Off	Heat	3A Relay	Fixed	Potted	CF E4HH 0100 AAAA A	6, 8
	142A-3721-2400	230 VAC	J t/c	38°C	On/Off	Heat	3A Relay	Fixed	Potted	CF E4JH 0038 AAAA A	6, 8
	142A-3722-1200	120 VAC	J t/c	75°F	High limit	Manual Reset	3A Relay	Fixed	Potted	LF C4HU 0075 AAAA A	6, 8
	142A-3722-1200	120 VAC	J t/c	24°C	High limit	Manual Reset	3A Relay	Fixed	Potted	LF C4JU 0024 AAAA A	6, 8
	142A-3722-1300	120 VAC	J t/c	75°F	High limit	Automatic Reset	3A Relay	Fixed	Potted	LF C4HW 0075 AAAA A	6, 8
	142A-3722-1300	120 VAC	J t/c	24°C	High limit	Automatic Reset	3A Relay	Fixed	Potted	LF C4JW 0024 AAAA A	6, 8
	142A-3722-1400	120 VAC	J t/c	75°F	On/Off	Heat	3A Relay	Fixed	Potted	CF C4HH 0075 AAAA A	6, 8
	142A-3722-1400	120 VAC	J t/c	24°C	On/Off	Heat	3A Relay	Fixed	Potted	CF C4JH 0024 AAAA A	6, 8
	142A-3722-2200	230 VAC	J t/c	75°F	High limit	Manual Reset	3A Relay	Fixed	Potted	LF E4HU 0075 AAAA A	6, 8
	142A-3722-2200	230 VAC	J t/c	24°C	High limit	Manual Reset	3A Relay	Fixed	Potted	LF E4JU 0024 AAAA A	6, 8
	142A-3722-2300	230 VAC	J t/c	75°F	High limit	Automatic Reset	3A Relay	Fixed	Potted	LF E4HW 0075 AAAA A	6, 8
	142A-3722-2300	230 VAC	J t/c	24°C	High limit	Automatic Reset	3A Relay	Fixed	Potted	LF E4JW 0024 AAAA A	6, 8
	142A-3722-2400	230 VAC	J t/c	75°F	On/Off	Heat	3A Relay	Fixed	Potted	CF E4HH 0075 AAAA A	6, 8
	142A-3722-2400	230 VAC	J t/c	24°C	On/Off	Heat	3A Relay	Fixed	Potted	CF E4JH 0024 AAAA A	6, 8
	142A-3723-1200	120 VAC	J t/c	140°F	High limit	Manual Reset	3A Relay	Fixed	Potted	LF C4HU 0140 AAAA A	6, 8
	142A-3723-1200	120 VAC	J t/c	60°C	High limit	Manual Reset	3A Relay	Fixed	Potted	LF C4JU 0060 AAAA A	6, 8
	142A-3723-1300	120 VAC	J t/c	140°F	High limit	Automatic Reset	3A Relay	Fixed	Potted	LF C4HW 0140 AAAA A	6, 8
	142A-3723-1300	120 VAC	J t/c	60°C	High limit	Automatic Reset	3A Relay	Fixed	Potted	LF C4JW 0060 AAAA A	6, 8
	142A-3723-1400	120 VAC	J t/c	140°F	On/Off	Heat	3A Relay	Fixed	Potted	CF C4HH 0140 AAAA A	6, 8
	142A-3723-1400	120 VAC	J t/c	60°C	On/Off	Heat	3A Relay	Fixed	Potted	CF C4JH 0060 AAAA A	6, 8
	142A-3723-2200	230 VAC	J t/c	140°F	High limit	Manual Reset	3A Relay	Fixed	Potted	LF E4HU 0140 AAAA A	6, 8
	142A-3723-2200	230 VAC	J t/c	60°C	High limit	Manual Reset	3A Relay	Fixed	Potted	LF E4JU 0060 AAAA A	6, 8
	142A-3723-2300	230 VAC	J t/c	140°F	High limit	Automatic Reset	3A Relay	Fixed	Potted	LF E4HW 0140 AAAA A	6, 8
	142A-3723-2300	230 VAC	J t/c	60°C	High limit	Automatic Reset	3A Relay	Fixed	Potted	LF E4JW 0060 AAAA A	6, 8
	142A-3723-2400	230 VAC	J t/c	140°F	On/Off	Heat	3A Relay	Fixed	Potted	CF E4HH 0140 AAAA A	6, 8
	142A-3723-2400	230 VAC	J t/c	60°C	On/Off	Heat	3A Relay	Fixed	Potted	CF E4JH 0060 AAAA A	6, 8
	142A-3724-1200	120 VAC	J t/c	160°F	High limit	Manual Reset	3A Relay	Fixed	Potted	LF C4HU 0160 AAAA A	6, 8
	142A-3724-1200	120 VAC	J t/c	71°C	High limit	Manual Reset	3A Relay	Fixed	Potted	LF C4JU 0071 AAAA A	6, 8
	142A-3724-1300	120 VAC	J t/c	160°F	High limit	Automatic Reset	3A Relay	Fixed	Potted	LF C4HW 0160 AAAA A	6, 8
	142A-3724-1300	120 VAC	J t/c	71°C	High limit	Automatic Reset	3A Relay	Fixed	Potted	LF C4JW 0071 AAAA A	6, 8

Series 142

<u>Series 142</u>	Line	Voltage	Input	Temp Range	Control Mode	Action	Output	Set Point	Mounting	Retrofit	See Notes Below
	142A-3724-1400	120 VAC	J t/c	160°F	On/Off	Heat	3A Relay	Fixed	Potted	CF C4HH 0160 AAAA A	6, 8
	142A-3724-1400	120 VAC	J t/c	71°C	On/Off	Heat	3A Relay	Fixed	Potted	CF C4JH 0071 AAAA A	6, 8
	142A-3724-2200	230 VAC	J t/c	160°F	High limit	Manual Reset	3A Relay	Fixed	Potted	LF E4HU 0160 AAAA A	6, 8
	142A-3724-2200	230 VAC	J t/c	71°C	High limit	Manual Reset	3A Relay	Fixed	Potted	LF E4JU 0071 AAAA A	6, 8
	142A-3724-2300	230 VAC	J t/c	160°F	High limit	Automatic Reset	3A Relay	Fixed	Potted	LF E4HW 0160 AAAA A	6, 8
	142A-3724-2300	230 VAC	J t/c	71°C	High limit	Automatic Reset	3A Relay	Fixed	Potted	LF E4JW 0071 AAAA A	6, 8
	142A-3724-2400	230 VAC	J t/c	160°F	On/Off	Heat	3A Relay	Fixed	Potted	CF E4HH 0160 AAAA A	6, 8
	142A-3724-2400	230 VAC	J t/c	71°C	On/Off	Heat	3A Relay	Fixed	Potted	CF E4JH 0071 AAAA A	6, 8
	142A-3725-1200	120 VAC	J t/c	130°F	High limit	Manual Reset	3A Relay	Fixed	Potted	LF C4HU 0130 AAAA A	6, 8
	142A-3725-1200	120 VAC	J t/c	54°C	High limit	Manual Reset	3A Relay	Fixed	Potted	LF C4JU 0054 AAAA A	6, 8
	142A-3725-1300	120 VAC	J t/c	130°F	High limit	Automatic Reset	3A Relay	Fixed	Potted	LF C4HW 0130 AAAA A	6, 8
	142A-3725-1300	120 VAC	J t/c	54°C	High limit	Automatic Reset	3A Relay	Fixed	Potted	LF C4JW 0054 AAAA A	6, 8
	142A-3725-1400	120 VAC	J t/c	130°F	On/Off	Heat	3A Relay	Fixed	Potted	CF C4HH 0130 AAAA A	6, 8
	142A-3725-1400	120 VAC	J t/c	54°C	On/Off	Heat	3A Relay	Fixed	Potted	CF C4JH 0054 AAAA A	6, 8
	142A-3725-2200	230 VAC	J t/c	130°F	High limit	Manual Reset	3A Relay	Fixed	Potted	LF E4HU 0130 AAAA A	6, 8
	142A-3725-2200	230 VAC	J t/c	54°C	High limit	Manual Reset	3A Relay	Fixed	Potted	LF E4JU 0054 AAAA A	6, 8
	142A-3725-2300	230 VAC	J t/c	130°F	High limit	Automatic Reset	3A Relay	Fixed	Potted	LF E4HW 0130 AAAA A	6, 8
	142A-3725-2300	230 VAC	J t/c	54°C	High limit	Automatic Reset	3A Relay	Fixed	Potted	LF E4JW 0054 AAAA A	6, 8
	142A-3725-2400	230 VAC	J t/c	130°F	On/Off	Heat	3A Relay	Fixed	Potted	CF E4HH 0130 AAAA A	6, 8
	142A-3725-2400	230 VAC	J t/c	54°C	On/Off	Heat	3A Relay	Fixed	Potted	CF E4JH 0054 AAAA A	6, 8
	142A-3726-1200	120 VAC	K t/c	325°F	High limit	Manual Reset	3A Relay	Fixed	Potted	LF C4KU 0325 AAAA A	6, 8
	142A-3726-1200	120 VAC	K t/c	163°C	High limit	Manual Reset	3A Relay	Fixed	Potted	LF C4LU 0163 AAAA A	6, 8
	142A-3726-1300	120 VAC	K t/c	325°F	High limit	Automatic Reset	3A Relay	Fixed	Potted	LF C4KW 0325 AAAA A	6, 8
	142A-3726-1300	120 VAC	K t/c	163°C	High limit	Automatic Reset	3A Relay	Fixed	Potted	LF C4LW 0163 AAAA A	6, 8
	142A-3726-1400	120 VAC	K t/c	325°F	On/Off	Heat	3A Relay	Fixed	Potted	CF C4KH 0325 AAAA A	6, 8
	142A-3726-1400	120 VAC	K t/c	163°C	On/Off	Heat	3A Relay	Fixed	Potted	CF C4LH 0163 AAAA A	6, 8
	142A-3726-2200	230 VAC	K t/c	325°F	High limit	Manual Reset	3A Relay	Fixed	Potted	LF E4KU 0325 AAAA A	6, 8
	142A-3726-2200	230 VAC	K t/c	163°C	High limit	Manual Reset	3A Relay	Fixed	Potted	LF E4LU 0163 AAAA A	6, 8
	142A-3726-2300	230 VAC	K t/c	325°F	High limit	Automatic Reset	3A Relay	Fixed	Potted	LF E4KW 0325 AAAA A	6, 8
	142A-3726-2300	230 VAC	K t/c	163°C	High limit	Automatic Reset	3A Relay	Fixed	Potted	LF E4LW 0163 AAAA A	6, 8
	142A-3726-2400	230 VAC	K t/c	325°F	On/Off	Heat	3A Relay	Fixed	Potted	CF E4KH 0325 AAAA A	6, 8
	142A-3726-2400	230 VAC	K t/c	163°C	On/Off	Heat	3A Relay	Fixed	Potted	CF E4LH 0163 AAAA A	6, 8
	142A-3727-1200	120 VAC	J t/c	158°F	High limit	Manual Reset	3A Relay	Fixed	Potted	LF C4HU 0158 AAAA A	6, 8
	142A-3727-1200	120 VAC	J t/c	70°C	High limit	Manual Reset	3A Relay	Fixed	Potted	LF C4JU 0070 AAAA A	6, 8
	142A-3727-1300	120 VAC	J t/c	158°F	High limit	Automatic Reset	3A Relay	Fixed	Potted	LF C4HW 0158 AAAA A	6, 8
	142A-3727-1300	120 VAC	J t/c	70°C	High limit	Automatic Reset	3A Relay	Fixed	Potted	LF C4JW 0070 AAAA A	6, 8
	142A-3727-1400	120 VAC	J t/c	158°F	On/Off	Heat	3A Relay	Fixed	Potted	CF C4HH 0158 AAAA A	6, 8
	142A-3727-1400	120 VAC	J t/c	70°C	On/Off	Heat	3A Relay	Fixed	Potted	CF C4JH 0070 AAAA A	6, 8
	142A-3727-2200	230 VAC	J t/c	158°F	High limit	Manual Reset	3A Relay	Fixed	Potted	LF E4HU 0158 AAAA A	6, 8
	142A-3727-2200	230 VAC	J t/c	70°C	High limit	Manual Reset	3A Relay	Fixed	Potted	LF E4JU 0070 AAAA A	6, 8
	142A-3727-2300	230 VAC	J t/c	158°F	High limit	Automatic Reset	3A Relay	Fixed	Potted	LF E4HW 0158 AAAA A	6, 8

Series 142

<u>Series 142</u>	Line	Voltage	Input	Temp Range	Control Mode	Action	Output	Set Point	Mounting	Retrofit	See Notes Below
	142A-3727-2300	230 VAC	J t/c	70°C	High limit	Automatic Reset	3A Relay	Fixed	Potted	LF E4JW 0070 AAAA A	6, 8
	142A-3727-2400	230 VAC	J t/c	158°F	On/Off	Heat	3A Relay	Fixed	Potted	CF E4HH 0158 AAAA A	6, 8
	142A-3727-2400	230 VAC	J t/c	70°C	On/Off	Heat	3A Relay	Fixed	Potted	CF E4JH 0070 AAAA A	6, 8
	142A-3728-1200	120 VAC	K t/c	350°F	High limit	Manual Reset	3A Relay	Fixed	Potted	LF C4KU 0350 AAAA A	6, 8
	142A-3728-1200	120 VAC	K t/c	177°C	High limit	Manual Reset	3A Relay	Fixed	Potted	LF C4LU 0177 AAAA A	6, 8
	142A-3728-1300	120 VAC	K t/c	350°F	High limit	Automatic Reset	3A Relay	Fixed	Potted	LF C4KW 0350 AAAA A	6, 8
	142A-3728-1300	120 VAC	K t/c	177°C	High limit	Automatic Reset	3A Relay	Fixed	Potted	LF C4LW 0177 AAAA A	6, 8
	142A-3728-1400	120 VAC	K t/c	350°F	On/Off	Heat	3A Relay	Fixed	Potted	CF C4KH 0350 AAAA A	6, 8
	142A-3728-1400	120 VAC	K t/c	177°C	On/Off	Heat	3A Relay	Fixed	Potted	CF C4LH 0177 AAAA A	6, 8
	142A-3728-2200	230 VAC	K t/c	350°F	High limit	Manual Reset	3A Relay	Fixed	Potted	LF E4KU 0350 AAAA A	6, 8
	142A-3728-2200	230 VAC	K t/c	177°C	High limit	Manual Reset	3A Relay	Fixed	Potted	LF E4LU 0177 AAAA A	6, 8
	142A-3728-2300	230 VAC	K t/c	350°F	High limit	Automatic Reset	3A Relay	Fixed	Potted	LF E4KW 0350 AAAA A	6, 8
	142A-3728-2300	230 VAC	K t/c	177°C	High limit	Automatic Reset	3A Relay	Fixed	Potted	LF E4LW 0177 AAAA A	6, 8
	142A-3728-2400	230 VAC	K t/c	350°F	On/Off	Heat	3A Relay	Fixed	Potted	CF E4KH 0350 AAAA A	6, 8
	142A-3728-2400	230 VAC	K t/c	177°C	On/Off	Heat	3A Relay	Fixed	Potted	CF E4LH 0177 AAAA A	6, 8
	142A-3729-1200	120 VAC	J t/c	40°F	High limit	Manual Reset	3A Relay	Fixed	Potted	LF C4HU 0040 AAAA A	6, 8
	142A-3729-1200	120 VAC	J t/c	4°C	High limit	Manual Reset	3A Relay	Fixed	Potted	LF C4JU 0004 AAAA A	6, 8
	142A-3729-1300	120 VAC	J t/c	40°F	High limit	Automatic Reset	3A Relay	Fixed	Potted	LF C4HW 0040 AAAA A	6, 8
	142A-3729-1300	120 VAC	J t/c	4°C	High limit	Automatic Reset	3A Relay	Fixed	Potted	LF C4JW 0004 AAAA A	6, 8
	142A-3729-1400	120 VAC	J t/c	40°F	On/Off	Heat	3A Relay	Fixed	Potted	CF C4HH 0040 AAAA A	6, 8
	142A-3729-1400	120 VAC	J t/c	4°C	On/Off	Heat	3A Relay	Fixed	Potted	CF C4JH 0004 AAAA A	6, 8
	142A-3729-2200	230 VAC	J t/c	40°F	High limit	Manual Reset	3A Relay	Fixed	Potted	LF E4HU 0040 AAAA A	6, 8
	142A-3729-2200	230 VAC	J t/c	4°C	High limit	Manual Reset	3A Relay	Fixed	Potted	LF E4JU 0004 AAAA A	6, 8
	142A-3729-2300	230 VAC	J t/c	40°F	High limit	Automatic Reset	3A Relay	Fixed	Potted	LF E4HW 0040 AAAA A	6, 8
	142A-3729-2300	230 VAC	J t/c	4°C	High limit	Automatic Reset	3A Relay	Fixed	Potted	LF E4JW 0004 AAAA A	6, 8
	142A-3729-2400	230 VAC	J t/c	40°F	On/Off	Heat	3A Relay	Fixed	Potted	CF E4HH 0040 AAAA A	6, 8
	142A-3729-2400	230 VAC	J t/c	4°C	On/Off	Heat	3A Relay	Fixed	Potted	CF E4JH 0004 AAAA A	6, 8
	142A-3730-1200	120 VAC	J t/c	180°F	High limit	Manual Reset	3A Relay	Fixed	Potted	LF C4HU 0180 AAAA A	6, 8
	142A-3730-1200	120 VAC	J t/c	82°C	High limit	Manual Reset	3A Relay	Fixed	Potted	LF C4JU 0082 AAAA A	6, 8
	142A-3730-1300	120 VAC	J t/c	180°F	High limit	Automatic Reset	3A Relay	Fixed	Potted	LF C4HW 0180 AAAA A	6, 8
	142A-3730-1300	120 VAC	J t/c	82°C	High limit	Automatic Reset	3A Relay	Fixed	Potted	LF C4JW 0082 AAAA A	6, 8
	142A-3730-1400	120 VAC	J t/c	180°F	On/Off	Heat	3A Relay	Fixed	Potted	CF C4HH 0180 AAAA A	6, 8
	142A-3730-1400	120 VAC	J t/c	82°C	On/Off	Heat	3A Relay	Fixed	Potted	CF C4JH 0082 AAAA A	6, 8
	142A-3730-2200	230 VAC	J t/c	180°F	High limit	Manual Reset	3A Relay	Fixed	Potted	LF E4HU 0180 AAAA A	6, 8
	142A-3730-2200	230 VAC	J t/c	82°C	High limit	Manual Reset	3A Relay	Fixed	Potted	LF E4JU 0082 AAAA A	6, 8
	142A-3730-2300	230 VAC	J t/c	180°F	High limit	Automatic Reset	3A Relay	Fixed	Potted	LF E4HW 0180 AAAA A	6, 8
	142A-3730-2300	230 VAC	J t/c	82°C	High limit	Automatic Reset	3A Relay	Fixed	Potted	LF E4JW 0082 AAAA A	6, 8
	142A-3730-2400	230 VAC	J t/c	180°F	On/Off	Heat	3A Relay	Fixed	Potted	CF E4HH 0180 AAAA A	6, 8
	142A-3730-2400	230 VAC	J t/c	82°C	On/Off	Heat	3A Relay	Fixed	Potted	CF E4JH 0082 AAAA A	6, 8
	142A-3731-1200	120 VAC	K t/c	950°F	High limit	Manual Reset	3A Relay	Fixed	Potted	LF C4KU 0950 AAAA A	6, 8
	142A-3731-1200	120 VAC	K t/c	510°C	High limit	Manual Reset	3A Relay	Fixed	Potted	LF C4LU 0510 AAAA A	6, 8

Series 142

<u>Series 142</u>	Line	Voltage	Input	Temp Range	Control Mode	Action	Output	Set Point	Mounting	Retrofit	See Notes Below
	142A-3731-1300	120 VAC	K t/c	950°F	High limit	Automatic Reset	3A Relay	Fixed	Potted	LF C4KW 0950 AAAA A	6, 8
	142A-3731-1300	120 VAC	K t/c	510°C	High limit	Automatic Reset	3A Relay	Fixed	Potted	LF C4LW 0510 AAAA A	6, 8
	142A-3731-1400	120 VAC	K t/c	950°F	On/Off	Heat	3A Relay	Fixed	Potted	CF C4KH 0950 AAAA A	6, 8
	142A-3731-1400	120 VAC	K t/c	510°C	On/Off	Heat	3A Relay	Fixed	Potted	CF C4LH 0510 AAAA A	6, 8
	142A-3731-2200	230 VAC	K t/c	950°F	High limit	Manual Reset	3A Relay	Fixed	Potted	LF E4KU 0950 AAAA A	6, 8
	142A-3731-2200	230 VAC	K t/c	510°C	High limit	Manual Reset	3A Relay	Fixed	Potted	LF E4LU 0510 AAAA A	6, 8
	142A-3731-2300	230 VAC	K t/c	950°F	High limit	Automatic Reset	3A Relay	Fixed	Potted	LF E4KW 0950 AAAA A	6, 8
	142A-3731-2300	230 VAC	K t/c	510°C	High limit	Automatic Reset	3A Relay	Fixed	Potted	LF E4LW 0510 AAAA A	6, 8
	142A-3731-2400	230 VAC	K t/c	950°F	On/Off	Heat	3A Relay	Fixed	Potted	CF E4KH 0950 AAAA A	6, 8
	142A-3731-2400	230 VAC	K t/c	510°C	On/Off	Heat	3A Relay	Fixed	Potted	CF E4LH 0510 AAAA A	6, 8
	142A-3734-1200	120 VAC	E t/c	400°F	High limit	Manual Reset	3A Relay	Fixed	Potted	LF C4SU 0400 AAAA A	6, 8
	142A-3734-1200	120 VAC	E t/c	204°C	High limit	Manual Reset	3A Relay	Fixed	Potted	LF C4TU 0204 AAAA A	6, 8
	142A-3734-1300	120 VAC	E t/c	400°F	High limit	Automatic Reset	3A Relay	Fixed	Potted	LF C4SW 0400 AAAA A	6, 8
	142A-3734-1300	120 VAC	E t/c	204°C	High limit	Automatic Reset	3A Relay	Fixed	Potted	LF C4TW 0204 AAAA A	6, 8
	142A-3734-1400	120 VAC	E t/c	400°F	On/Off	Heat	3A Relay	Fixed	Potted	CF C4SH 0400 AAAA A	6, 8
	142A-3734-1400	120 VAC	E t/c	204°C	On/Off	Heat	3A Relay	Fixed	Potted	CF C4TH 0204 AAAA A	6, 8
	142A-3734-2200	230 VAC	E t/c	400°F	High limit	Manual Reset	3A Relay	Fixed	Potted	LF E4SU 0400 AAAA A	6, 8
	142A-3734-2200	230 VAC	E t/c	204°C	High limit	Manual Reset	3A Relay	Fixed	Potted	LF E4TU 0204 AAAA A	6, 8
	142A-3734-2300	230 VAC	E t/c	400°F	High limit	Automatic Reset	3A Relay	Fixed	Potted	LF E4SW 0400 AAAA A	6, 8
	142A-3734-2300	230 VAC	E t/c	204°C	High limit	Automatic Reset	3A Relay	Fixed	Potted	LF E4TW 0204 AAAA A	6, 8
	142A-3734-2400	230 VAC	E t/c	400°F	On/Off	Heat	3A Relay	Fixed	Potted	CF E4SH 0400 AAAA A	6, 8
	142A-3734-2400	230 VAC	E t/c	204°C	On/Off	Heat	3A Relay	Fixed	Potted	CF E4TH 0204 AAAA A	6, 8
	142A-3735-1200	120 VAC	J t/c	333°F	High limit	Manual Reset	3A Relay	Fixed	Potted	LF C4HU 0333 AAAA A	6, 8
	142A-3735-1200	120 VAC	J t/c	60°C	High limit	Manual Reset	3A Relay	Fixed	Potted	LF C4JU 0060 AAAA A	6, 8
	142A-3735-1300	120 VAC	J t/c	333°F	High limit	Automatic Reset	3A Relay	Fixed	Potted	LF C4HW 0333 AAAA A	6, 8
	142A-3735-1300	120 VAC	J t/c	60°C	High limit	Automatic Reset	3A Relay	Fixed	Potted	LF C4JW 0060 AAAA A	6, 8
	142A-3735-1400	120 VAC	J t/c	333°F	On/Off	Heat	3A Relay	Fixed	Potted	CF C4HH 0333 AAAA A	6, 8
	142A-3735-1400	120 VAC	J t/c	60°C	On/Off	Heat	3A Relay	Fixed	Potted	CF C4JH 0060 AAAA A	6, 8
	142A-3735-2200	230 VAC	J t/c	333°F	High limit	Manual Reset	3A Relay	Fixed	Potted	LF E4HU 0333 AAAA A	6, 8
	142A-3735-2200	230 VAC	J t/c	60°C	High limit	Manual Reset	3A Relay	Fixed	Potted	LF E4JU 0060 AAAA A	6, 8
	142A-3735-2300	230 VAC	J t/c	333°F	High limit	Automatic Reset	3A Relay	Fixed	Potted	LF E4HW 0333 AAAA A	6, 8
	142A-3735-2300	230 VAC	J t/c	60°C	High limit	Automatic Reset	3A Relay	Fixed	Potted	LF E4JW 0060 AAAA A	6, 8
	142A-3735-2400	230 VAC	J t/c	333°F	On/Off	Heat	3A Relay	Fixed	Potted	CF E4HH 0333 AAAA A	6, 8
	142A-3735-2400	230 VAC	J t/c	60°C	On/Off	Heat	3A Relay	Fixed	Potted	CF E4JH 0060 AAAA A	6, 8

Note 1: Retrofit controller requires a substitution of a 100 Ohm DIN RTD sensor.

Note 2: Mounting and dimensions of retrofit controller are different. Verify that sufficient panel space and depth is available.

Note 3: Retrofit controller outputs are different. Add external interposing mechanical or solid state relay if applicable.

Note 4: Retrofit controller has a programmable, not fixed set point. Lock set point using controller's lockout parameter.

Note 5: For DIN rail mounting or sub-panel mounting, purchase DIN rail adapter p/n 0822-0586-P001 for 1/32 DIN or p/n 0822-0586-P002 for 1/16 DIN.

Note 6: Add a quencharc suppressor, Watlow p/n 0804-0147-0000, for inductive loads.

Note 7: Retrofit does not have equivalent action (as example, no manual reset)

Series 142

<u>Series 142</u>	Line Voltage	Input	Temp Range	Control Mode	Action	Output	Set Point	Mounting	Retrofit	See Notes Below
Note 8: Retrofit controller does not have dual dial scale.										
Note 9: Hardware lockout is not available on retrofit.										
Note 10: Retrofit controller does not have user selectable line voltage.										
Note 11: Retrofit does not support remote set point or retransmit. If wires are on these pins, select a different retrofit.										
Note 12: Retrofit controller does not have user selectable control action.										
Note 13: Solid state sensor required for humidity. See http://www.vaisala.com										
Note 14: Retrofit controller does not have user selectable control mode.										
Note 15: Use auxiliary event board A007-1732-F4B8										
Note 16: Retrofit communications are different, consult specifications.										
Note 17: Verify retrofit input range matches application.										



Series 142

User's Manual



Safety Limit or On-Off Controller

CE 97

TOTAL
CUSTOMER
SATISFACTION
3 Year Warranty



1241 Bundy Boulevard, P.O. Box 5580, Winona, Minnesota USA 55987-5580
Phone: 507/454-5300, Fax: 507/452-4507, Internet: <http://www.watlow.com>

0600-0023-0000 Rev D
August 1999
Supersedes
0600-0023-0000 Rev C

\$5.00
Made in the U.S.A.



Printed on Recycled Paper
10% Postconsumer Waste

General Description

The Watlow Series 142 is a compact, environmentally protected safety limit temperature controller. The limit has a single thermocouple input and is available in several common ranges.

The 142 has a single mechanical relay output, and operates as a high limit, latching control with manual and/or auto-power reset. Fixed set points are available.

The Series 142 safety limit controller is ideally suited for limit applications requiring tamper-proof operation, agency approvals and immunity to hostile environments.

- The factory-fixed set point cannot be altered by operator action or neglect.
- Agency approvals ensure compliance with recognized standards.
- Epoxy potting makes the Series 142 resistant to environments with vibration or humid/corrosive conditions.

Compact size and sub-panel mounting make the Series 142 readily adaptable to many applications. Its single, factory-fixed set point thermocouple input and Form C, 3 amp electromechanical relay output provides simplicity and reliability for many applications. Sensor break protection ensures fail-safe process shut down upon input failure.


Safety Information


We use note, caution and warning symbols throughout this manual to draw your attention to important operational and safety information.

A “NOTE” marks a short message to alert you to an important detail.

A “CAUTION” safety alert appears with information that is important for protecting your equipment and performance. Be especially careful to read and follow all cautions that apply to your application.

A “WARNING” safety alert appears with information that is important for protecting you, others and equipment from damage. Pay very close attention to all warnings that apply to your application.

The safety alert symbol, , (an exclamation point in a triangle) precedes a general CAUTION or WARNING statement.

The electrical hazard symbol, , (a lightning bolt in a triangle) precedes an electric shock hazard CAUTION or WARNING safety statement.

Installation

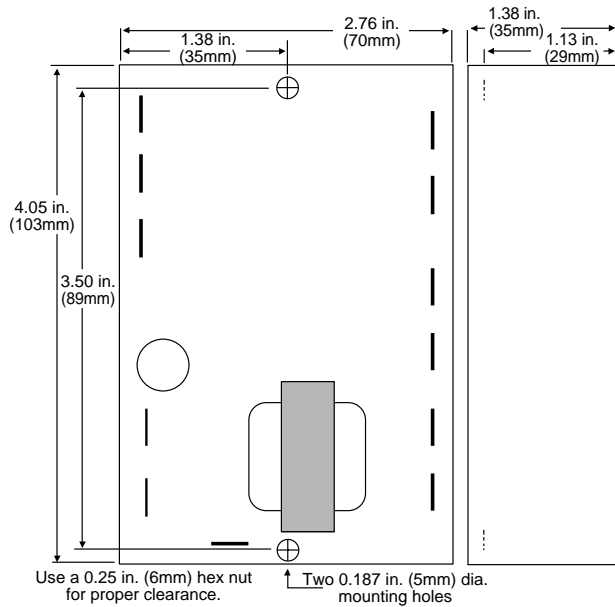


Figure 2a — Series 142 dimensions.

Installation Procedure

1. Drill two 0.187 in. (5mm) diameter holes in the desired panel location.
2. Mount the unit with two 6-32 screws, 0.25 in. (6mm) hex nut and #6 internal tooth lock washer.
3. Use the correct thermocouple type per the model number on the unit sticker. See the side of the case.
 - Use correct thermocouple polarity. Red is negative.
 - Insulate the thermocouple mounting from the mounting surface to prevent heat migration input errors.
 - Thermocouple leads should be twisted pair wire and routed separately from any other lines.
 - In electrically-noisy environments (heavy switching contactors, motors, solenoids, etc.), use shielded thermocouple lead wire with the shield connected at the sensor end only.
 - Use a separate thermocouple to maintain the limit function of this controller; do not parallel thermocouple input from the primary controller.
4. All wiring and fusing must conform to the National Electric Code (NEC) NFPA70 and any other locally applicable codes.
5. Fuse the independent load voltage on the L1 (hot) side and connect it to the common (C) side of the relay.

NOTE: For applications where the CE mark is required, all quick connect and spade terminals must be pre-insulated to meet IEC 730 specifications.

Units With Remote Setpot Assembly

1. Drill two 2.0 in. (51mm) diameter holes in the desired remote setpot assembly location. See Figure 2b.
2. Using the dial scale as a location template, center and mark all four mounting holes on the dial scale with a center punch.
3. For bolted dial scale assembly, drill four 0.125 in. (3mm) diameter clearance holes. If you are using a screw assembly, use a tap drill. Tap drill sizes used are:

Tap Drill Size	Screw/Thread Size
#44 - 0.086 in. dia. (2mm)	#4.36
#43 - 0.089 in. dia. (2mm)	#4.40
#42 - 0.093 in. dia. (2mm)	#4.48

4. Drill four 0.189 in. (5mm) diameter holes in desired panel location. See Figure 2b.
5. Mount the Series 142 with four screws.
6. Connect sensor, load and remote setpot assembly per Wiring Diagram. See the wiring pages.

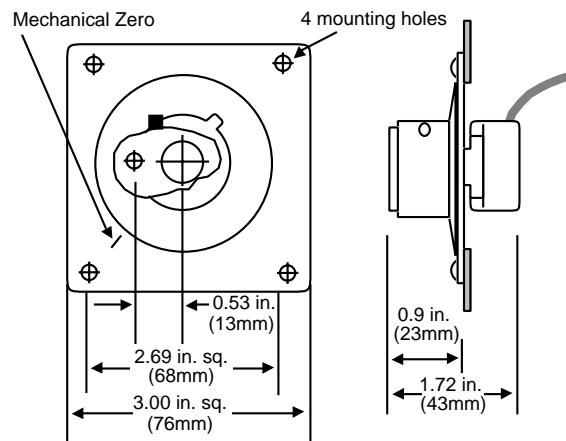


Figure 2b — Setpot dimensions and mechanical zero location.

Dial Scale Alignment to Mechanical Zero

1. Turn the dial scale knob completely counterclockwise (to mechanical zero).
2. If the “Indicator” line on the setpot knob skirt, and “Mechanical Zero” (represented by a small line beyond the low end of the scale) are not aligned, loosen both set screws on the setpot knob, and rotate the knob until both lines meet.
3. Tighten both set screws.

Wiring

NOTE: All terminals are 1/4 in. (4mm) quick connects.

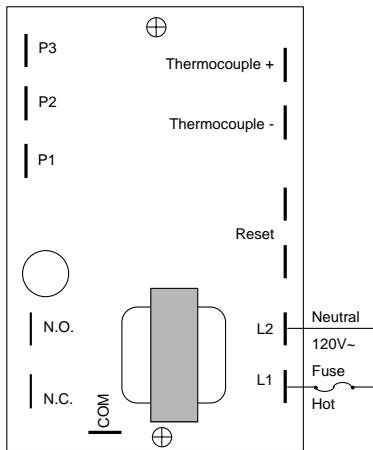


Figure 3a — 120V~ power wiring (142A - _____ - 1_00).

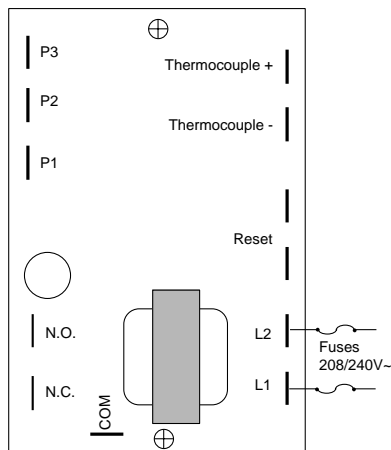


Figure 3b — 208/240V~ power wiring (142A - _____ - 2_00).

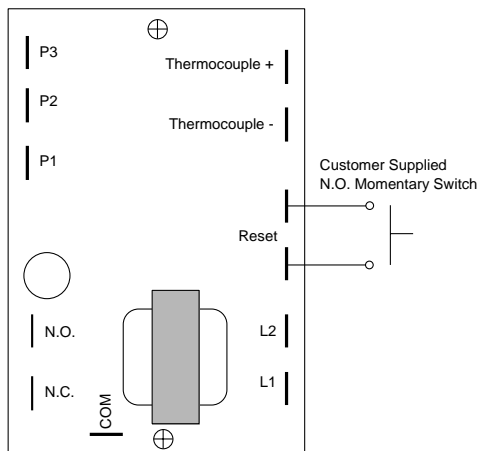


Figure 3c — Reset switch.

NOTE: Jumpering the reset terminals does not convert from limit to an on-off control mode.

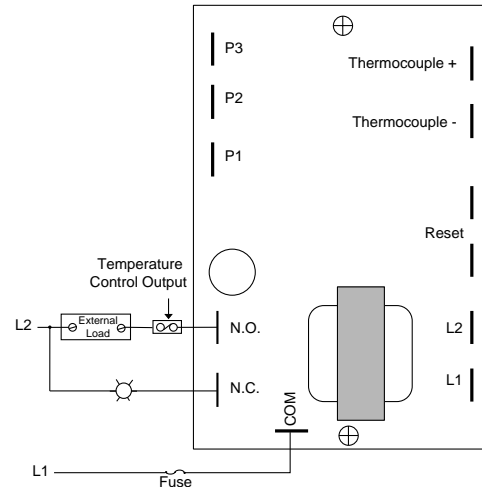


Figure 3d — 3A mechanical relay wiring.

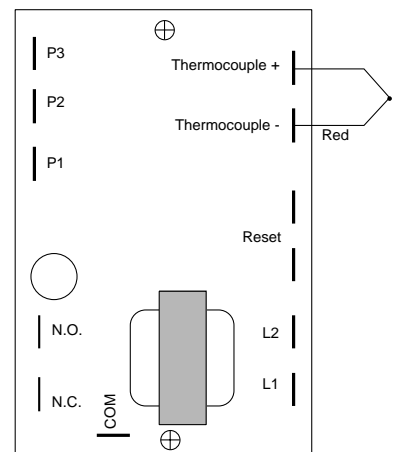


Figure 3e — Thermocouple wiring.

NOTE: Extension wire for thermocouples must be of the same alloy as the thermocouple itself to limit errors.

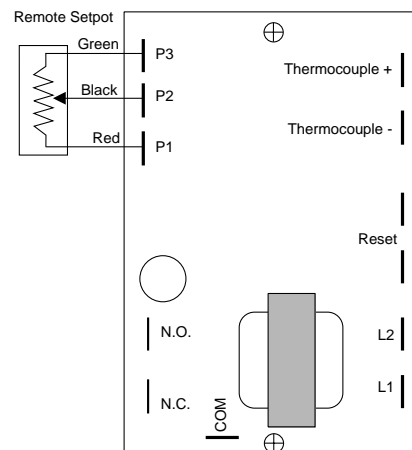


Figure 3f — Remote setpot (142A - 2_00).

System Wiring Example

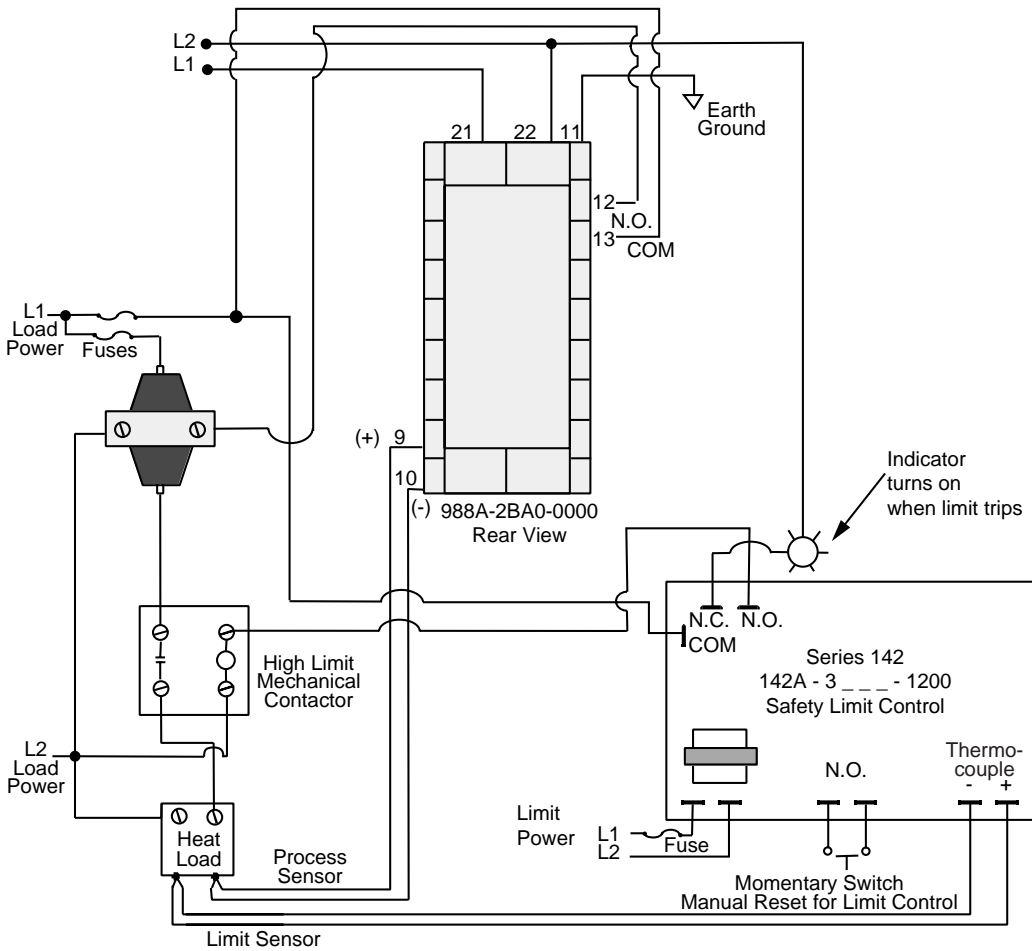


Figure 4 — System wiring example.



WARNING:

Install high or low temperature limit control protection in systems where an overtemperature fault condition could present a fire hazard or other hazard. Failure to install temperature limit control protection where a potential hazard exists could result in damage to equipment and property, and injury or death to personnel.



CAUTION:

Watlow mercury relay loads must have a unity power factor. For RESISTIVE LOADS ONLY.

Specifications

(1599)

Limit Control Mode

- High limit control
- Latched manual reset with $\pm 3^{\circ}\text{F}$ (1.7°C) hysteresis
- Can only be reset when process temperature drops below limit set point. Terminals are provided for remote reset in the event of an overtemperature condition. (Reset switch supplied by user.)

On/off Temperature Control Mode

- Off — when process temperature exceeds factory-fixed or remote adjustable set point
- On — when process temperature is less than factory-fixed or remote adjustable set point
- Hysteresis (switching differential) $\pm 3^{\circ}\text{F}$ (1.7°C) nominal

Agency Approvals

- UL and C-UL, File #E43684
197 Commercial Cooking Appliances
873 Temperature Indicating and Regulating Equipment
991 Test for Safety Related Controls Employing Solid State Devices
- A.G.A., Report #C3236001
- CE 89/336/EEC Electromagnetic Compatibility Directive
EN50082-1, Immunity
EN50081-1, Emissions
- CE 73/23/EEC Low Voltage Directive
EN60730-1, EN60730-2-9, Safety

Operator Interface

- Non-adjustable, factory-fixed or remote adjustable set point

Remote Set Point

- Dial scale calibrated to compensate for sensor non-linearity
- Dual $^{\circ}\text{F}/^{\circ}\text{C}$ scales

Accuracy

- Calibration accuracy: $\pm 1\%$ of span, at $77^{\circ}\text{F} \pm 5^{\circ}\text{F}$ ($25^{\circ}\text{C} \pm 3^{\circ}\text{C}$) ambient and rated line voltage $\pm 1\%$
- Accuracy span: $\pm 2.5\%$ of range or 1000°F (540°C) minimum, whichever is greater
- Thermocouple temperature stability: Typically $\pm 5\mu\text{V}/^{\circ}\text{F}$ ($9\mu\text{V}/^{\circ}\text{C}$) ambient
- Voltage stability: $\pm 0.01\%$ of span /% of rated line voltage

Thermocouple Input

- Grounded or ungrounded Type E, J, K or T. Sensor break protection de-energizes output.
- Factory-set, thermocouple ranges

Output

- Electromechanical relay¹, SPDT, 3A @ 120/240V~ or 3A @ 30V= (dc), Form C, with RC suppression on on-off temperature controller version. Off-state output impedance is $20\text{k}\Omega$ with RC suppression.

Output Relay Status Upon Power Restoration

(Assuming process temperature is not above set point.)

- Auto reset: Output relay automatically re-energizes
- Manual reset: Manual reset is required to re-energize output relay

Line Voltage/Power

- 120V~, $\pm 10\%$; (108-132V~), 50/60Hz, $\pm 5\%$
- 208/240V~, $\pm 10\%$; (187-264V~), 50/60Hz, $\pm 5\%$
- Power consumption 4VA maximum

Operating Environment

- 32 to 149°F (0 to 65°C)
- 0 to 90% RH, non-condensing

Storage Temperature

- -40 to 185°F (-40 to 85°C)

Terminals

- 1/4 inch quick connect lugs (spade/ appliance)

Dimensions

Controller

- | | | |
|---------------------|-----------|----------|
| • Length | 4 in. | (102mm) |
| • Width | 2.8 in. | (70mm) |
| • Height | 4.05 in. | (103mm) |
| • Controller Weight | 0.79 lb. | (0.36kg) |
| • Shipping Weight | 1.25 lbs. | (0.57kg) |

Set Point Assembly

- | | | |
|-----------------------|-----------|----------|
| • Dial Scale | 3 in. sq. | (76mm) |
| • Pot Depth Behind | 1.0 in. | (25mm) |
| • Knob Depth in Front | 1.2 in. | (31mm) |
| • Lead Length | 24 in. | (610mm) |
| • Weight | 0.2 lb. | (0.09kg) |

¹Electromechanical relays are warranted for 100,000 closures only.

UL® is a registered trademark of Underwriter's Laboratories, Inc.

Note: Specifications subject to change without notice.

Returns

- Call or fax Customer Service for a Return Material Authorization (RMA) number before returning a controller.
- Put the RMA number on the shipping label, and also on a description of the problem.
- 20% of net price restocking charge applies to all standard units returned to stock.

Technical Assistance

If you encounter a problem with your Watlow controller, review all of your configuration information to verify that your selections are consistent with your application: inputs; outputs; alarms; limits; etc. If the problem persists after checking the above, you can get technical support by dialing 507/494-5656, 7 AM to 7 PM Central Standard Time, or e-mail to wintechsupport@watlow.com. An applications engineer will discuss your application with you.

Please have the following information available when calling:

- Complete model number
- Serial Number
- All configuration information
- User's Manual

Warranty

The Watlow Series 142 is warranted to be free of defects in material and workmanship for 36 months after delivery to the first purchaser for use, providing that the units have not been misapplied. Since Watlow has no control over their use, and sometimes misuse, we cannot guarantee against failure. Watlow's obligations hereunder, at Watlow's option, are limited to replacement, repair or refund of purchase price, and parts which upon examination prove to be defective within the warranty period specified. This warranty does not apply to damage resulting from transportation, alteration, misuse, or abuse.

Your Feedback

Your comments or suggestions on this manual are welcome. Please send them to: Technical Writer, Watlow Controls, 1241 Bundy Boulevard, P.O. Box 5580, Winona, Minnesota 55987-5580; phone: 507/454-5300; fax: 507/452-4507. The Series 142 User's Manual is copyrighted by Watlow Winona, Inc., © August 1999, with all rights reserved. (1816)

Ordering Information

(1817)

To order, complete the code number to the right with the information below:

1 4 2 A - - - 0 0

Series 142 = Temperature safety limit, limit, latching 3A relay, environmentally sealed controller, or basic on-off temperature controller

Output Type

A = Electromechanical relay¹, Form C, 3A, with RC suppression on on-off temperature controller, without contact suppression on limit controller

Set Point

2 = Remote/Adjustable²
3 = Fixed (See below for available factory-fixed set points)

Input (Thermocouple)

ANSI Type E

669 = 230°F (110°C)	679 = 365°F (185°C)	682 = 575°F (302°C)
685 = 265°F (129°C)	684 = 450°F (232°C)	664 = 1050°F (566°C)
670 = 302°F (150°C)	675 = 500°F (260°C)	
668 = 311°F (155°C)	678 = 565°F (296°C)	

ANSI Type J

706 = 32 to 600°F (0 to 315°C)	603 ³ = 275°F (135°C)	617 = 600°F (316°C)
626 = 50°F (10°C)	604 ³ = 300°F (149°C)	618 = 625°F (329°C)
718 = 61°F (16°C)	605 ³ = 325°F (163°C)	693 = 650°F (343°C)
653 = 115°F (46°C)	606 ³ = 350°F (177°C)	620 = 675°F (357°C)
666 = 145°F (63°C)	707 = 360°F (182°C)	621 = 700°F (371°C)
686 = 149°F (65°C)	607 ³ = 375°F (191°C)	622 = 725°F (385°C)
609 ³ = 155°F (68°C)	608 ³ = 400°F (204°C)	623 = 750°F (399°C)
681 = 175°F (79°C)	699 ³ = 425°F (218°C)	624 = 775°F (413°C)
672 = 185°F (85°C)	689 = 444°F (229°C)	625 = 800°F (427°C)
600 ³ = 200°F (93°C)	704 = 465°F (240°C)	627 = 850°F (454°C)
688 = 215°F (102°C)	698 ³ = 450°F (232°C)	628 = 875°F (468°C)
601 ³ = 225°F (107°C)	612 ³ = 475°F (246°C)	696 = 900°F (482°C)
719 = 230°F (110°C)	613 ³ = 500°F (260°C)	630 = 925°F (496°C)
602 ³ = 250°F (121°C)	614 = 525°F (274°C)	631 = 950°F (510°C)
715 = 265°F (129°C)	615 = 550°F (288°C)	632 = 975°F (524°C)
	616 = 575°F (302°C)	633 = 1000°F (538°C)

ANSI Type K

716 = 122°F (50°C)	673 = 1198°F (648°C)	649 = 1800°F (982°C)
711 = 125°F (52°C)	637 = 1200°F (649°C)	650 = 1850°F (1010°C)
125 = 257°F (125°C)	638 = 1250°F (677°C)	651 = 1900°F (1038°C)
619 = 300°F (149°C)	639 = 1300°F (704°C)	652 = 1950°F (1066°C)
667 = 460°F (238°C)	640 = 1350°F (732°C)	692 = 2000°F (1093°C)
671 = 550°F (288°C)	687 = 1382°F (750°C)	654 = 2050°F (1121°C)
695 = 572°F (300°C)	717 = 750°F (399°C)	655 = 2100°F (1149°C)
690 = 600°F (315°C)	641 = 1400°F (760°C)	656 = 2150°F (1177°C)
674 = 700°F (700°C)	642 = 1450°F (788°C)	657 = 2200°F (1204°C)
677 = 788°F (420°C)	643 = 1500°F (816°C)	658 = 2250°F (1232°C)
629 = 800°F (427°C)	644 = 1550°F (843°C)	659 = 2300°F (1260°C)
691 = 875°F (468°C)	645 = 1600°F (871°C)	660 = 2350°F (1288°C)
634 = 1050°F (565°C)	646 = 1650°F (899°C)	661 ⁴ = 2400°F (1316°C)
635 = 1100°F (593°C)	647 = 1700°F (927°C)	662 ⁴ = 2450°F (1343°C)
636 = 1150°F (621°C)	648 = 1750°F (954°C)	663 ⁴ = 2500°F (1371°C)

ANSI Type T

708 = -4°F (-20°C)	694 = 275°F (135°C)
705 = -328 to 662°F (-200 to 350°C)	712 = 347°F (175°C)
680 = 140°F (60°C)	713 = 392°F (200°C)
714 = 175°F (79°C)	710 = 482°F (250°C)

Line Voltage/Power

1 = 120V~
2 = 208/240V~

Control Operation

2 = **Limit Control**—Manual reset on power loss and overtemperature
3 = **Limit Control**—Auto reset on power loss/manual reset on overtemperature
4 = **Temperature Control**—on-off

¹ Electromechanical relays warranted for 100,000 closures only.

² User selectable range. Consult factory for details. Setpot required, sold separately.

³ A.G.A. Certified

⁴ Not within calibration tolerance range per ANSI circular MC96.1.

Note: User documentation may be available in French, German, Spanish, Italian, and Dutch, as well as English. Check Watlow's website (www.watlow.com/) for availability. Specify language at time of order.

Glossary

automatic power reset — A feature in latching limit controllers that does not recognize power outage as a limit condition. When power is restored, the output is re-energized automatically, as long as the temperature is within limits.

electrical noise immunity — Ability of a temperature control to operate normally in the presence of electrical noise interference.

fixed set point — Temperature set point is preset at the factory. It cannot be readjusted in the field.

latched output — Limit control output latches in de-energized condition when overtemperature condition occurs and cannot be reset unless temperature drops below set point.

limit or limit controller — A highly reliable, discrete safety device (redundant to the primary controller) that monitors and limits the temperature of the process or a point in the process. When temperature exceeds or falls below the limit set point, the limit controller interrupts power through the load circuit. A limit controller can protect equipment and people when it is correctly installed with its own power supply, power lines, switch and sensor.

manual reset — A feature on a limit controller that requires human intervention to return the limit to normal operation after a limit condition has occurred.

safety limit — An automatic limit intended for use in applications where an over-temperature fault may cause a fire.

Declaration of Conformity

Series 142

Watlow Controls
1241 Bundy Blvd., PO Box 5580
Winona, Minnesota 55987 USA



Declares that the following product: **English**

Designation: Series 142
Model Number(s): 142A-(2 or 3) (600-999)-(1 or 2) (2, 3, or 4) 00
Classification: Temperature Limit Control, Class II, Pollution Degree II
Rated Voltage: 100 to 240V~ (ac)
Rated Frequency: 50/60 Hz
Rated Power Consumption: 4VA

Meets the essential requirements of the following European Union Directive(s) using the relevant section(s) of the normalized standards and related documents shown:

89/336/EEC Electromagnetic Compatibility Directive

EN 50082-1: 1995 EMC Generic immunity standard, Part 1: Residential, commercial and light industry

EN 61000-3-2: 1995 Limits for harmonic current
EN 61000-3-3: 1995 Limitations of voltage fluctuations and flicker
EN 61000-4-2: 1995 Electrostatic discharge
EN 61000-4-4: 1995 Electrical fast transients
EN 61000-4-5: 1995 Surge immunity
EN 61000-4-11: 1994 Voltage dips, short interruptions and voltage variations immunity

ENV 50140: 1994 Radiated immunity
ENV 50141: 1994 Conducted immunity
ENV 50204: 1995 Cellular phone

EN 50081-1: 1994 EMC Generic emission standard, Part 1: Residential, commercial and light industry

EN 55011: 1991 Limits and methods of measurement of radio disturbance characteristics of industrial, scientific and medical radio-frequency equipment (Class B)

73/23/EEC Low-Voltage Directive

EN 60730-1: 1993 Automatic electric controls for household and similar use, Part 1: General requirements

EN 60730-2-9: 1995 Automatic electric controls for household and similar use, Part 2: Particular requirements Section 2.9, Temperature sensing controls

Note: Pre-insulated connectors must be used for compliance with EN 60730.

Déclare que le produit suivant : **Français**

Désignation : Série 142
Numéro(s) de modèle(s) : 142A-(2 ou 3)(600-999)-(1 ou 2) (2, 3 ou 4) 00
Classification : Contrôle de limite de température, classe II, degré de pollution II
Tension nominale : 100 à 240 V~(c.a.)
Fréquence nominale : 50/60 Hz
Consommation d'alimentation nominale : 4 VA

Conforme aux exigences de la (ou des) directive(s) suivante(s) de l'Union Européenne figurant aux sections correspondantes des normes et documents associés ci-dessous :

89/336/EEC Directive de compatibilité électromagnétique

EN 50082-2 : 1995 Norme générique d'insensibilité électromagnétique, Partie 1 : Environnement résidentiel, commercial et industries légères

EN 61000-3-2 : 1995 Limites d'émission de courant harmonique
EN 61000-3-3 : 1995 Limites de fluctuation de tension
EN 61000-4-2 : 1995 Décharge électrostatique
EN 61000-4-4 : 1995 Courants électriques transitoires rapides
EN 61000-4-5 : 1995 Insensibilité aux surtensions
EN 61000-4-11 : 1994 Insensibilité aux chutes subites, aux courtes interruptions et aux variations de tension

ENV 50140 : 1994 Insensibilité à l'énergie rayonnée
ENV 50141 : 1994 Insensibilité à l'énergie par conduction
ENV 50204 : 1995 Téléphone cellulaire

EN 50081-1 : 1994 Norme générique sur les émissions électromagnétiques, Partie 1 : Environnement résidentiel, commercial et industries légères

EN 55011 : 1991 Limites et méthodes de mesure des caractéristiques d'interférences du matériel radiofréquence industriel, scientifique et médical (Classe B)

73/23/EEC Directive liée aux basses tensions

EN 60730-1 : 1993 Commandes électriques automatiques à usage domestique et similaire, Partie 1 : Exigences générales

EN 60730-2-9 : 1995 Commandes électriques automatiques à usage domestique et similaire, Partie 2 : Exigences particulières, Section 2.9, commandes thermosensibles

Remarque : Des connecteurs pré-isolés doivent être utilisés pour respecter la conformité à la norme EN 60730.

(1633)

Erklärt, daß das folgende Produkt: **Deutsch**
Beschreibung: Serie 142
Modellnummer(n): 142A - (2 oder 3) (600-999) - (1 oder 2) (2, 3 oder 4) 00
Klassifikation: Temperaturregelsystem, Installationskategorie II, Emissionsgrad II
Nennspannung: 100 bis 240V~ (V Wechselstrom)
Nennfrequenz: 50/60 Hz
Nominaler Stromverbrauch: 4VA

Erfüllt die wichtigsten Normen der folgenden Anweisung(en) der Europäischen Union unter Verwendung des wichtigsten Abschnitts bzw. der wichtigsten Abschnitte der normalisierten Spezifikationen und der untenstehenden einschlägigen Dokumente:

89/336/EEC Elektromagnetische Übereinstimmungsanweisung

EN 50082-1: 1995 EMC-Rahmennorm für Störsicherheit, Teil 1: Wohngebunden, Handelsverkehr und Leichtindustrie

EN 61000-3-2: 1995 Grenzen der Oberwellenstromemissionen
EN 61000-3-3: 1995 Grenzen der Spannungsschwankungen
EN 61000-4-2: 1995 Elektrostatische Entladung
EN 61000-4-4: 1995 Elektrische schnelle Stöße
EN 61000-4-5: 1995 Spannungsstoßimmunität
EN 61000-4-11: 1994 Immunität gegen Spannungsgefälle, kurze Unterbrechungen und Spannungsabweichungen

ENV 50140: 1994 Strahlungsimmunität
ENV 50141: 1994 Störimmunität
ENV 50204: 1995 Mobiltelefon

EN 50081-1: 1994 EMC-Rahmennorm für Emissionen, Teil 1: Wohngebunden, Handelsverkehr und Leichtindustrie

EN 55011: 1991 Beschränkungen und Methoden der Messung von Funkstörungsmerkmalen industrieller, wissenschaftlicher und medizinischer Hochfrequenzgeräte (Klasse B)

73/23/EEC Niederspannungsrichtlinie zu entsprechen

EN 60730-1: 1993 Automatische elektrische Regelsysteme für den Haushalt und ähnlichen Einsatz, Teil 1: Allgemeine Richtlinien

EN 60730-2-9: 1995 Automatische elektrische Regelsysteme für den Haushalt und ähnlichen Einsatz, Teil 2: Spezifische Richtlinien Abschnitt 2.9, Temperaturregelsysteme

Hinweis: Gemäß EN 60730 müssen vorisolierte Steckverbinder verwendet werden.

Declara que el producto siguiente: **Español**

Designación: Serie 142
Números de modelo: 142A-(2 ó 3)(600-999)-(1 ó 2)(2, 3 ó 4) 00
Clasificación: Control de límite de temperatura, Clase II, grado de contaminación ambiental II
Tensión nominal: 100 a 240 V~ (CA)
Frecuencia nominal: 50/60 Hz
Consumo nominal de energía: 4 VA

Cumple con los requisitos esenciales de las siguientes Directivas de la Unión Europea, usando las secciones pertinentes de las reglas normalizadas y los documentos relacionados que se muestran:

89/336/EEC - Directiva de Compatibilidad Electromagnética

EN 50082-1: 1995 Norma de inmunidad genérica del EMC, Parte 1: Ambiente residencial, comercial e industria ligera

EN 61000-3-2: 1995 Límites para emisiones de corriente armónica
EN 61000-3-3: 1995 Limitaciones de fluctuaciones del voltaje
EN 61000-3-2: 1995 Grenzen der Oberwellenstromemissionen
EN 61000-3-3: 1995 Grenzen der Spannungsschwankungen
EN 61000-4-2: 1995 Descarga electrostática
EN 61000-4-4: 1995 Perturbaciones transitorias eléctricas rápidas
EN 61000-4-5: 1995 Sobretensión
EN 61000-4-11: 1994 Caídas de tensión, interrupciones breves y variaciones de tensión

ENV 50140: 1994 Inmunidad radiada
ENV 50141: 1994 Inmunidad conducida
ENV 50204: 1995 Teléfono portátil

EN 50081-1: 1994 Norma de emisión genérica del EMC, Parte 1: Ambiente residencial, comercial e industria ligera

EN 55011: 1991 Límites y métodos para medición de características de perturbaciones de radio correspondientes a equipos de radiofrecuencia industriales, científicos y médicos (Clase B)

73/23/EEC Directiva de Baja Tensión

EN 60730-1: 1993 Controles eléctricos automáticos para electrodomésticos y aparatos de uso similar, Parte 1: Requerimientos generales

EN 60730-2-9: 1995 Controles eléctricos automáticos para electrodomésticos y aparatos de uso similar, Parte 2: Requerimientos particulares Sección 2.9, Controles para detección de temperatura

Nota: Se requiere el uso de conectores aislados para cumplir con la norma EN 60730.

Erwin D. Lowell
Name of Authorized Representative
Winona, Minnesota USA
Place of Issue

General Manager
Title of Authorized Representative
July 2, 1997
Date of Issue

Signature of Authorized Representative