

Using This Retrofit Guide

This document is best viewed with Adobe Reader 6.0. To obtain the latest version of Adobe Reader, visit <http://www.adobe.com>

Specification sheets on Watlow product may be obtained at <http://www.watlow.com/literature/specsheets/>

User Manuals on Watlow product may be obtained at <http://www.watlow.com/literature/prodtechinfo/>

Additional information on other Watlow products may be obtained by visiting <http://www.watlow.com/>

To locate a controller, search on the part number such as 965A-1CD0-00RG. Use the Help feature in Adobe Reader on how to search documents.

If there are multiple listings, then the retrofit is conditional upon field use. Select the appropriate selection. The User's Manual is included at the bottom of this document when available.

Before selecting a replacement controller:

1. Know the application.
 - Temperature range
 - Sensor type
 - Is the sensor upgradable if required?
 - Additional input requirements – remote set points, secondary sensor or events
 - Output required – control, alarm, event
 - Is the power-switching device upgradable?
 - Operating voltage of controller
 - Mounting requirements – panel space
 - Is a safety limit device required?
2. Know the product.
 - Inputs – type and number of
 - Control function – direct (cool) or reverse (heat)
 - Outputs – switched DC, SSR, or mechanical relay
 - Communication requirements
 - Which control features are required? (cascade, slidewire, differential, remote control, other)
3. Use your best judgment for selecting a replacement controller. All applications require close examination of input, output and the control mode needs to have the controller function properly.
4. Safety: Remember to make sure all redundant safety equipment is in place and working when retrofitting equipment. If a system has been retrofitted without the proper safety equipment, you could be liable if an accident occurs.

This is only a guide to replacement controllers. If you have doubts, please call (507) 454-5300 and ask for technical support or email wintechsupport@watlow.com. We're here to help. The suggested replacement will differ in fit and form. Please review the replacement controller specifications for suitability. Carefully check the notes for additional information that may apply.

Your comments or suggestions on the Retrofit Guide are welcome. Please send comments or corrections to: Technical Writer, Watlow Controls, 1241 Bundy Boulevard, P.O. Box 5580, Winona, MN 55987-5580; phone (507) 454-5300; fax (507) 452-4507. This Retrofit Guide is copyrighted by Watlow Winona, Inc., © February 2004 with all rights reserved. (1455)

Abbreviation & Terminology

(as used in this document)

0.5 – 0.5 amperes of current switching capability

2A – 2 amperes of current switching capability

5A - 5 amperes of current switching capability

10A – 10 amperes of current switching capability

15A – 15 amperes of current switching capability

12-24 – Supply voltage can be between 12 to 24 Volts

100-240 – Supply voltage can be between 100 to 240 Volts

100 ohm DIN – refers to 100-ohm platinum RTD that has a DIN curve.

100 ohm JIS – refers to 100-ohm platinum RTD that has a JIS curve.

1/32 DIN – Deutsche Industrial Norm standard for panel mounted controller, hole size is cut to 1.78”w x 0.88”h.

1/16 DIN – Deutsche Industrial Norm standard for panel mounted controller, hole size is cut to 1.78”w x 1.77”h.

1/8V DIN – Deutsche Industrial Norm standard for panel mounted controller, hole size is cut to 1.78”w x 3.63”h.

1/8H DIN – Deutsche Industrial Norm standard for panel mounted controller, hole size is cut to 3.63”w x 1.77”h”

1/8S DIN – Deutsche Industrial Norm standard for panel mounted controller, hole size is cut to 2.68”w x 2.68”h.

¼ DIN – Deutsche Industrial Norm standard for panel mounted controller, hole size is cut to 3.63”w x 3.63”h.

Action – determines the direction of control. Heat (reverse acting) or Cool (direct acting).

Auto Reset – the limit will automatically reset on a power cycle but requires manual reset on limit trip.

Cascade – a control algorithm in which the output of one control loop provides a set point for another loop. The second loop, in turn, determines the control action.

Ch – Channel refers to an analog input. There are single and dual channel controllers.

Control Mode – the method that a controller uses to switch the outputs such as PID, ON/OFF, and Manual.

Differential - control algorithm in which the output is based on the difference of the inputs plus set point.

DIN – Deutsche Industrial Norm, a set of technical, scientific and dimensional standards developed in Germany. RTD sensors with the DIN curve change resistance at a rate of 0.00385 ohms/ohms/C.

DIN Rail – standard DIN EN50022 mounting method for attaching devices onto a metal rail.

Fixed – refers to a set point that is fixed at one value.

High Limit - device will deactivate output on a temperature rise above set point.

Inductive Load – any device that has a wire winding such as solenoids, electromechanical relays or transformers.

Input – refers to the sensor types that may be connected.

Integral – the set point in integral (on board) to the controller.

JIS – Joint Industrial Standards, a set of technical, scientific and dimensional standards developed in Japan. RTD sensors with the JIS curve change resistance at a rate of 0.00396 ohms/ohms/C.

Line Voltage – the voltage required powering the electronics of the controller.

Low Limit - device will deactivate output on a temperature drop below set point.

On/Off – a method of control that turns the output full on until set point is reached and then off until the process error exceeds the hysteresis.

Open Brd – the form factor of this controller is an open circuit board mounted on four standoffs.

Manual Reset – the limit must be reset on a power cycle and requires manual reset on limit trip.

Multi RSP – multiple remote set potentiometers were supported. Each allowed the set point to be selected and adjusted.

Relay – refers to an electromechanical relay.

Remote – set point is adjusted using a remote potentiometer.

Panel – the form factor of this controller is mounted through a hole cut in the panel.

PI – Proportional and Integral, a control mode with two functions: proportional action dampens the systems response, and integral corrects for droop.

PID – Proportional, Integral, and Derivative, a control mode with three functions: proportional action dampens the systems response, integral corrects for droop, and derivative prevents overshoot and undershoot.

Potted – the circuit board and electronics are encased in epoxy.

Proc – Process input may accept 0-5, 1-5, 0-10 volts or 0-20 and 4-20 mA.

Profiling – Controller will perform a sequence of programmed steps.

Programmable – The feature is changeable in the field through jumpers and/or parameter selection.

RTD – Resistance Temperature Detector, a sensor that is 100 ohms at 0 degrees C and made of platinum material.

SSR – Solid State Relay, these devices will switch AC voltage only and require a load to latch on.

Sw DC – Switched DC, a time proportioning DC output used to drive DC input solid state relays.

t/c – Thermocouple sensor device made by joining two dissimilar metals whose standards is identified by a letter.

Temp Range – the range over which the controller could have the set point adjustment.

Thermistor – a sensor that changes resistance as the temperature changes. Similar but not the same as an RTD.

Universal – Input can be a thermocouple, 100 ohm DIN RTD or process (volts or milliamperes)

VAC – Volts Alternating Current

VAC/DC- Volts Alternating Current or Direct Current

VDC – Volts Direct Current

VTB Sw DC – Variable Time Base Switched Direct Current, a time proportioning DC output where the cycle time is variable.

These notes are used to signify areas of concern in changing to a retrofit choice. These notes are also printed at the end of the retrofit listing.

Note 1: Retrofit controller requires a substitution of a 100 Ohm RTD sensor for the thermistor.

Note 2: Mounting and dimensions of retrofit controller are different. Verify that sufficient panel space and depth is available.

Note 3: Retrofit controller outputs are different. Add external interposing mechanical or solid state relay if applicable.

Note 4: Retrofit controller has a programmable, not fixed set point. Lock set point using controller's lockout parameter.

Note 5: For DIN rail mounting or sub-panel mounting, purchase DIN rail adapter p/n 0822-0586-P001 for 1/32 DIN or p/n 0822-0586-P002 for 1/16 DIN.

Note 6: Add a suppressor, Watlow p/n 0804-0147-0000, for inductive loads.

Note 7: Retrofit does not have equivalent action (as example, no manual reset)

Note 8: Retrofit controller does not have dual dial scale.

Note 9: Hardware lockout is not available on retrofit.

Note 10: Retrofit controller does not have user selectable line voltage.

Note 11: Retrofit does not support remote set point or retransmit. Check if pins 13, 14, 15 or 16 have termination. If wires are on these pins, select a different retrofit.

Note 12: Retrofit controller does not have user selectable control action.

Note 13: Solid state sensor required for humidity. See <http://www.vaisala.com>

Note 14: Retrofit controller does not have user selectable control mode.

Note 15: Use auxiliary event board A007-1732-F4B8

Note 16: Retrofit communications are different, consult specifications.

Note 17: Verify retrofit input range matches application.

Series 146

<u>Series 146</u>	Line Voltage	Input	Temp Range	Control Mode	Action	Output	Set Point	Mounting	Retrofit control	See Notes Below
146D-1E1C-1100	120 VAC	E t/c	0 to 799°C	High Limit	Manual Reset	3A Relay	Integral	DIN Rail	LV C6TU 0000 0799 A	6
146D-1E1C-1200	120 VAC	E t/c	0 to 799°C	High Limit	Manual Reset	3A Relay	Remote	DIN Rail	LV C5TU 0000 0799 A	2, 6
146D-1E1C-2100	120 VAC	E t/c	0 to 799°C	Low Limit	Manual Reset	3A Relay	Integral	DIN Rail	LV C6TY 0000 0799 A	6
146D-1E1C-2200	120 VAC	E t/c	0 to 799°C	Low Limit	Manual Reset	3A Relay	Remote	DIN Rail	LV C5TY 0000 0799 A	2, 6
146D-1E1C-3100	120 VAC	E t/c	0 to 799°C	High Limit	Auto Reset	3A Relay	Integral	DIN Rail	LV C6TW 0000 0799 A	6
146D-1E1C-3200	120 VAC	E t/c	0 to 799°C	High Limit	Auto Reset	3A Relay	Remote	DIN Rail	LV C5TW 0000 0799 A	2, 6
146D-1E1C-4100	120 VAC	E t/c	0 to 799°C	Low Limit	Auto Reset	3A Relay	Integral	DIN Rail	LV C6TZ 0000 0799 A	6
146D-1E1C-4200	120 VAC	E t/c	0 to 799°C	Low Limit	Auto Reset	3A Relay	Remote	DIN Rail	LV C5TZ 0000 0799 A	2, 6
146D-1E1D-1100	120 VAC	E t/c	32 to 1470°F	High Limit	Manual Reset	3A Relay	Integral	DIN Rail	LV C6SU 0032 1470 A	6, 8
146D-1E1D-1100	120 VAC	E t/c	0 to 799°C	High Limit	Manual Reset	3A Relay	Integral	DIN Rail	LV C6TU 0000 0799 A	6, 8
146D-1E1D-1200	120 VAC	E t/c	32 to 1470°F	High Limit	Manual Reset	3A Relay	Remote	DIN Rail	LV C5SU 0032 1470 A	2, 6, 8
146D-1E1D-1200	120 VAC	E t/c	0 to 799°C	High Limit	Manual Reset	3A Relay	Remote	DIN Rail	LV C5TU 0000 0799 A	2, 6, 8
146D-1E1D-2100	120 VAC	E t/c	32 to 1470°F	Low Limit	Manual Reset	3A Relay	Integral	DIN Rail	LV C6SY 0032 1470 A	6, 8
146D-1E1D-2100	120 VAC	E t/c	0 to 799°C	Low Limit	Manual Reset	3A Relay	Integral	DIN Rail	LV C6TY 0000 0799 A	6, 8
146D-1E1D-2200	120 VAC	E t/c	32 to 1470°F	Low Limit	Manual Reset	3A Relay	Remote	DIN Rail	LV C5SY 0032 1470 A	2, 6, 8
146D-1E1D-2200	120 VAC	E t/c	0 to 799°C	Low Limit	Manual Reset	3A Relay	Remote	DIN Rail	LV C5TY 0000 0799 A	2, 6, 8
146D-1E1D-3100	120 VAC	E t/c	32 to 1470°F	High Limit	Auto Reset	3A Relay	Integral	DIN Rail	LV C6SW 0032 1470 A	6, 8
146D-1E1D-3100	120 VAC	E t/c	0 to 799°C	High Limit	Auto Reset	3A Relay	Integral	DIN Rail	LV C6TW 0000 0799 A	6, 8
146D-1E1D-3200	120 VAC	E t/c	32 to 1470°F	High Limit	Auto Reset	3A Relay	Remote	DIN Rail	LV C5SW 0032 1470 A	2, 6, 8
146D-1E1D-3200	120 VAC	E t/c	0 to 799°C	High Limit	Auto Reset	3A Relay	Remote	DIN Rail	LV C5TW 0000 0799 A	2, 6, 8
146D-1E1D-4100	120 VAC	E t/c	32 to 1470°F	Low Limit	Auto Reset	3A Relay	Integral	DIN Rail	LV C6SZ 0032 1470 A	6, 8
146D-1E1D-4100	120 VAC	E t/c	0 to 799°C	Low Limit	Auto Reset	3A Relay	Integral	DIN Rail	LV C6TZ 0000 0799 A	6, 8
146D-1E1D-4200	120 VAC	E t/c	32 to 1470°F	Low Limit	Auto Reset	3A Relay	Remote	DIN Rail	LV C5SZ 0032 1470 A	2, 6, 8
146D-1E1D-4200	120 VAC	E t/c	0 to 799°C	Low Limit	Auto Reset	3A Relay	Remote	DIN Rail	LV C5TZ 0000 0799 A	2, 6, 8
146D-1E1F-1100	120 VAC	E t/c	32 to 1470°F	High Limit	Manual Reset	3A Relay	Integral	DIN Rail	LV C6SU 0032 1470 A	6
146D-1E1F-1200	120 VAC	E t/c	32 to 1470°F	High Limit	Manual Reset	3A Relay	Remote	DIN Rail	LV C5SU 0032 1470 A	2, 6
146D-1E1F-2100	120 VAC	E t/c	32 to 1470°F	Low Limit	Manual Reset	3A Relay	Integral	DIN Rail	LV C6SY 0032 1470 A	6
146D-1E1F-2200	120 VAC	E t/c	32 to 1470°F	Low Limit	Manual Reset	3A Relay	Remote	DIN Rail	LV C5SY 0032 1470 A	2, 6
146D-1E1F-3100	120 VAC	E t/c	32 to 1470°F	High Limit	Auto Reset	3A Relay	Integral	DIN Rail	LV C6SW 0032 1470 A	6
146D-1E1F-3200	120 VAC	E t/c	32 to 1470°F	High Limit	Auto Reset	3A Relay	Remote	DIN Rail	LV C5SW 0032 1470 A	2, 6
146D-1E1F-4100	120 VAC	E t/c	32 to 1470°F	Low Limit	Auto Reset	3A Relay	Integral	DIN Rail	LV C6SZ 0032 1470 A	6
146D-1E1F-4200	120 VAC	E t/c	32 to 1470°F	Low Limit	Auto Reset	3A Relay	Remote	DIN Rail	LV C5SZ 0032 1470 A	2, 6
146D-1J1C-1100	120 VAC	J t/c	0 to 315°C	High Limit	Manual Reset	3A Relay	Integral	DIN Rail	LV C6JU 0000 0315 A	6
146D-1J1C-1200	120 VAC	J t/c	0 to 315°C	High Limit	Manual Reset	3A Relay	Remote	DIN Rail	LV C5JU 0000 0315 A	2, 6
146D-1J1C-2100	120 VAC	J t/c	0 to 315°C	Low Limit	Manual Reset	3A Relay	Integral	DIN Rail	LV C6JY 0000 0315 A	6
146D-1J1C-2200	120 VAC	J t/c	0 to 315°C	Low Limit	Manual Reset	3A Relay	Remote	DIN Rail	LV C5JY 0000 0315 A	2, 6
146D-1J1C-3100	120 VAC	J t/c	0 to 315°C	High Limit	Auto Reset	3A Relay	Integral	DIN Rail	LV C6JW 0000 0315 A	6
146D-1J1C-3200	120 VAC	J t/c	0 to 315°C	High Limit	Auto Reset	3A Relay	Remote	DIN Rail	LV C5JW 0000 0315 A	2, 6
146D-1J1C-4100	120 VAC	J t/c	0 to 315°C	Low Limit	Auto Reset	3A Relay	Integral	DIN Rail	LV C6JZ 0000 0315 A	6
146D-1J1C-4200	120 VAC	J t/c	0 to 315°C	Low Limit	Auto Reset	3A Relay	Remote	DIN Rail	LV C5JZ 0000 0315 A	2, 6
146D-1J1D-1100	120 VAC	J t/c	32 to 600°F	High Limit	Manual Reset	3A Relay	Integral	DIN Rail	LV C6HU 0032 0600 A	6, 8

Series 146

Series 146	Line Voltage	Input	Temp Range	Control Mode	Action	Output	Set Point	Mounting	Retrofit control	See Notes Below
146D-1J1D-1100	120 VAC	J t/c	0 to 315°C	High Limit	Manual Reset	3A Relay	Integral	DIN Rail	LV C6JU 0000 0315 A	6, 8
146D-1J1D-1200	120 VAC	J t/c	32 to 600°F	High Limit	Manual Reset	3A Relay	Remote	DIN Rail	LV C5HU 0032 0600 A	2, 6, 8
146D-1J1D-1200	120 VAC	J t/c	0 to 315°C	High Limit	Manual Reset	3A Relay	Remote	DIN Rail	LV C5JU 0000 0315 A	2, 6, 8
146D-1J1D-2100	120 VAC	J t/c	32 to 600°F	Low Limit	Manual Reset	3A Relay	Integral	DIN Rail	LV C6HY 0032 0600 A	6, 8
146D-1J1D-2100	120 VAC	J t/c	0 to 315°C	Low Limit	Manual Reset	3A Relay	Integral	DIN Rail	LV C6JY 0000 0315 A	6, 8
146D-1J1D-2200	120 VAC	J t/c	32 to 600°F	Low Limit	Manual Reset	3A Relay	Remote	DIN Rail	LV C5HY 0032 0600 A	2, 6, 8
146D-1J1D-2200	120 VAC	J t/c	0 to 315°C	Low Limit	Manual Reset	3A Relay	Remote	DIN Rail	LV C5JY 0000 0315 A	2, 6, 8
146D-1J1D-3100	120 VAC	J t/c	32 to 600°F	High Limit	Auto Reset	3A Relay	Integral	DIN Rail	LV C6HW 0032 0600 A	6, 8
146D-1J1D-3100	120 VAC	J t/c	0 to 315°C	High Limit	Auto Reset	3A Relay	Integral	DIN Rail	LV C6JW 0000 0315 A	6, 8
146D-1J1D-3200	120 VAC	J t/c	32 to 600°F	High Limit	Auto Reset	3A Relay	Remote	DIN Rail	LV C5HW 0032 0600 A	2, 6, 8
146D-1J1D-3200	120 VAC	J t/c	0 to 315°C	High Limit	Auto Reset	3A Relay	Remote	DIN Rail	LV C5JW 0000 0315 A	2, 6, 8
146D-1J1D-4100	120 VAC	J t/c	32 to 600°F	Low Limit	Auto Reset	3A Relay	Integral	DIN Rail	LV C6HZ 0032 0600 A	6, 8
146D-1J1D-4100	120 VAC	J t/c	0 to 315°C	Low Limit	Auto Reset	3A Relay	Integral	DIN Rail	LV C6JZ 0000 0315 A	6, 8
146D-1J1D-4200	120 VAC	J t/c	32 to 600°F	Low Limit	Auto Reset	3A Relay	Remote	DIN Rail	LV C5HZ 0032 0600 A	2, 6, 8
146D-1J1D-4200	120 VAC	J t/c	0 to 315°C	Low Limit	Auto Reset	3A Relay	Remote	DIN Rail	LV C5JZ 0000 0315 A	2, 6, 8
146D-1J1F-1100	120 VAC	J t/c	32 to 600°F	High Limit	Manual Reset	3A Relay	Integral	DIN Rail	LV C6HU 0032 0600 A	6
146D-1J1F-1200	120 VAC	J t/c	32 to 600°F	High Limit	Manual Reset	3A Relay	Remote	DIN Rail	LV C5HU 0032 0600 A	2, 6
146D-1J1F-2100	120 VAC	J t/c	32 to 600°F	Low Limit	Manual Reset	3A Relay	Integral	DIN Rail	LV C6HY 0032 0600 A	6
146D-1J1F-2200	120 VAC	J t/c	32 to 600°F	Low Limit	Manual Reset	3A Relay	Remote	DIN Rail	LV C5HY 0032 0600 A	2, 6
146D-1J1F-3100	120 VAC	J t/c	32 to 600°F	High Limit	Auto Reset	3A Relay	Integral	DIN Rail	LV C6HW 0032 0600 A	6
146D-1J1F-3200	120 VAC	J t/c	32 to 600°F	High Limit	Auto Reset	3A Relay	Remote	DIN Rail	LV C5HW 0032 0600 A	2, 6
146D-1J1F-4100	120 VAC	J t/c	32 to 600°F	Low Limit	Auto Reset	3A Relay	Integral	DIN Rail	LV C6HZ 0032 0600 A	6
146D-1J1F-4200	120 VAC	J t/c	32 to 600°F	Low Limit	Auto Reset	3A Relay	Remote	DIN Rail	LV C5HZ 0032 0600 A	2, 6
146D-1J2C-1100	120 VAC	J t/c	0 to 750°C	High Limit	Manual Reset	3A Relay	Integral	DIN Rail	LV C6JU 0000 0750 A	6
146D-1J2C-1200	120 VAC	J t/c	0 to 750°C	High Limit	Manual Reset	3A Relay	Remote	DIN Rail	LV C5JU 0000 0750 A	2, 6
146D-1J2C-2100	120 VAC	J t/c	0 to 750°C	Low Limit	Manual Reset	3A Relay	Integral	DIN Rail	LV C6JY 0000 0750 A	6
146D-1J2C-2200	120 VAC	J t/c	0 to 750°C	Low Limit	Manual Reset	3A Relay	Remote	DIN Rail	LV C5JY 0000 0750 A	2, 6
146D-1J2C-3100	120 VAC	J t/c	0 to 750°C	High Limit	Auto Reset	3A Relay	Integral	DIN Rail	LV C6JW 0000 0750 A	6
146D-1J2C-3200	120 VAC	J t/c	0 to 750°C	High Limit	Auto Reset	3A Relay	Remote	DIN Rail	LV C5JW 0000 0750 A	2, 6
146D-1J2C-4100	120 VAC	J t/c	0 to 750°C	Low Limit	Auto Reset	3A Relay	Integral	DIN Rail	LV C6JZ 0000 0750 A	6
146D-1J2C-4200	120 VAC	J t/c	0 to 750°C	Low Limit	Auto Reset	3A Relay	Remote	DIN Rail	LV C5JZ 0000 0750 A	2, 6
146D-1J2D-1100	120 VAC	J t/c	32 to 1382°F	High Limit	Manual Reset	3A Relay	Integral	DIN Rail	LV C6HU 0032 1382 A	6, 8
146D-1J2D-1100	120 VAC	J t/c	0 to 750°C	High Limit	Manual Reset	3A Relay	Integral	DIN Rail	LV C6JU 0000 0750 A	6, 8
146D-1J2D-1200	120 VAC	J t/c	32 to 1382°F	High Limit	Manual Reset	3A Relay	Remote	DIN Rail	LV C5HU 0032 1382 A	2, 6, 8
146D-1J2D-1200	120 VAC	J t/c	0 to 750°C	High Limit	Manual Reset	3A Relay	Remote	DIN Rail	LV C5JU 0000 0750 A	2, 6, 8
146D-1J2D-2100	120 VAC	J t/c	32 to 1382°F	Low Limit	Manual Reset	3A Relay	Integral	DIN Rail	LV C6HY 0032 1382 A	6, 8
146D-1J2D-2100	120 VAC	J t/c	0 to 750°C	Low Limit	Manual Reset	3A Relay	Integral	DIN Rail	LV C6JY 0000 0750 A	6, 8
146D-1J2D-2200	120 VAC	J t/c	32 to 1382°F	Low Limit	Manual Reset	3A Relay	Remote	DIN Rail	LV C5HY 0032 1382 A	2, 6, 8
146D-1J2D-2200	120 VAC	J t/c	0 to 750°C	Low Limit	Manual Reset	3A Relay	Remote	DIN Rail	LV C5JY 0000 0750 A	2, 6, 8
146D-1J2D-3100	120 VAC	J t/c	32 to 1382°F	High Limit	Auto Reset	3A Relay	Integral	DIN Rail	LV C6HW 0032 1382 A	6, 8
146D-1J2D-3100	120 VAC	J t/c	0 to 750°C	High Limit	Auto Reset	3A Relay	Integral	DIN Rail	LV C6JW 0000 0750 A	6, 8

Series 146

Series 146	Line Voltage	Input	Temp Range	Control Mode	Action	Output	Set Point	Mounting	Retrofit control	See Notes Below
146D-1J2D-3200	120 VAC	J t/c	32 to 1382°F	High Limit	Auto Reset	3A Relay	Remote	DIN Rail	LV C5HW 0032 1382 A	2, 6, 8
146D-1J2D-3200	120 VAC	J t/c	0 to 750°C	High Limit	Auto Reset	3A Relay	Remote	DIN Rail	LV C5JW 0000 0750 A	2, 6, 8
146D-1J2D-4100	120 VAC	J t/c	32 to 1382°F	Low Limit	Auto Reset	3A Relay	Integral	DIN Rail	LV C6HZ 0032 1382 A	6, 8
146D-1J2D-4100	120 VAC	J t/c	0 to 750°C	Low Limit	Auto Reset	3A Relay	Integral	DIN Rail	LV C6JZ 0000 0750 A	6, 8
146D-1J2D-4200	120 VAC	J t/c	32 to 1382°F	Low Limit	Auto Reset	3A Relay	Remote	DIN Rail	LV C5HZ 0032 1382 A	2, 6, 8
146D-1J2D-4200	120 VAC	J t/c	0 to 750°C	Low Limit	Auto Reset	3A Relay	Remote	DIN Rail	LV C5JZ 0000 0750 A	2, 6, 8
146D-1J2F-1100	120 VAC	J t/c	32 to 1382°F	High Limit	Manual Reset	3A Relay	Integral	DIN Rail	LV C6HU 0032 1382 A	6
146D-1J2F-1200	120 VAC	J t/c	32 to 1382°F	High Limit	Manual Reset	3A Relay	Remote	DIN Rail	LV C5HU 0032 1382 A	2, 6
146D-1J2F-2100	120 VAC	J t/c	32 to 1382°F	Low Limit	Manual Reset	3A Relay	Integral	DIN Rail	LV C6HY 0032 1382 A	6
146D-1J2F-2200	120 VAC	J t/c	32 to 1382°F	Low Limit	Manual Reset	3A Relay	Remote	DIN Rail	LV C5HY 0032 1382 A	2, 6
146D-1J2F-3100	120 VAC	J t/c	32 to 1382°F	High Limit	Auto Reset	3A Relay	Integral	DIN Rail	LV C6HW 0032 1382 A	6
146D-1J2F-3200	120 VAC	J t/c	32 to 1382°F	High Limit	Auto Reset	3A Relay	Remote	DIN Rail	LV C5HW 0032 1382 A	2, 6
146D-1J2F-4100	120 VAC	J t/c	32 to 1382°F	Low Limit	Auto Reset	3A Relay	Integral	DIN Rail	LV C6HZ 0032 1382 A	6
146D-1J2F-4200	120 VAC	J t/c	32 to 1382°F	Low Limit	Auto Reset	3A Relay	Remote	DIN Rail	LV C5HZ 0032 1382 A	2, 6
146D-1J3C-1100	120 VAC	J t/c	149 to 427°C	High Limit	Manual Reset	3A Relay	Integral	DIN Rail	LV C6JU 0149 0427 A	6
146D-1J3C-1200	120 VAC	J t/c	149 to 427°C	High Limit	Manual Reset	3A Relay	Remote	DIN Rail	LV C5JU 0149 0427 A	2, 6
146D-1J3C-2100	120 VAC	J t/c	149 to 427°C	Low Limit	Manual Reset	3A Relay	Integral	DIN Rail	LV C6JY 0149 0427 A	6
146D-1J3C-2200	120 VAC	J t/c	149 to 427°C	Low Limit	Manual Reset	3A Relay	Remote	DIN Rail	LV C5JY 0149 0427 A	2, 6
146D-1J3C-3100	120 VAC	J t/c	149 to 427°C	High Limit	Auto Reset	3A Relay	Integral	DIN Rail	LV C6JW 0149 0427 A	6
146D-1J3C-3200	120 VAC	J t/c	149 to 427°C	High Limit	Auto Reset	3A Relay	Remote	DIN Rail	LV C5JW 0149 0427 A	2, 6
146D-1J3C-4100	120 VAC	J t/c	149 to 427°C	Low Limit	Auto Reset	3A Relay	Integral	DIN Rail	LV C6JZ 0149 0427 A	6
146D-1J3C-4200	120 VAC	J t/c	149 to 427°C	Low Limit	Auto Reset	3A Relay	Remote	DIN Rail	LV C5JZ 0149 0427 A	2, 6
146D-1J3D-1100	120 VAC	J t/c	300 to 800°F	High Limit	Manual Reset	3A Relay	Integral	DIN Rail	LV C6HU 0300 0800 A	6, 8
146D-1J3D-1100	120 VAC	J t/c	149 to 427°C	High Limit	Manual Reset	3A Relay	Integral	DIN Rail	LV C6JU 0149 0427 A	6, 8
146D-1J3D-1200	120 VAC	J t/c	300 to 800°F	High Limit	Manual Reset	3A Relay	Remote	DIN Rail	LV C5HU 0300 0800 A	2, 6, 8
146D-1J3D-1200	120 VAC	J t/c	149 to 427°C	High Limit	Manual Reset	3A Relay	Remote	DIN Rail	LV C5JU 0149 0427 A	2, 6, 8
146D-1J3D-2100	120 VAC	J t/c	300 to 800°F	Low Limit	Manual Reset	3A Relay	Integral	DIN Rail	LV C6HY 0300 0800 A	6, 8
146D-1J3D-2100	120 VAC	J t/c	149 to 427°C	Low Limit	Manual Reset	3A Relay	Integral	DIN Rail	LV C6JY 0149 0427 A	6, 8
146D-1J3D-2200	120 VAC	J t/c	300 to 800°F	Low Limit	Manual Reset	3A Relay	Remote	DIN Rail	LV C5HY 0300 0800 A	2, 6, 8
146D-1J3D-2200	120 VAC	J t/c	149 to 427°C	Low Limit	Manual Reset	3A Relay	Remote	DIN Rail	LV C5JY 0149 0427 A	2, 6, 8
146D-1J3D-3100	120 VAC	J t/c	300 to 800°F	High Limit	Auto Reset	3A Relay	Integral	DIN Rail	LV C6HW 0300 0800 A	6, 8
146D-1J3D-3100	120 VAC	J t/c	149 to 427°C	High Limit	Auto Reset	3A Relay	Integral	DIN Rail	LV C6JW 0149 0427 A	6, 8
146D-1J3D-3200	120 VAC	J t/c	300 to 800°F	High Limit	Auto Reset	3A Relay	Remote	DIN Rail	LV C5HW 0300 0800 A	2, 6, 8
146D-1J3D-3200	120 VAC	J t/c	149 to 427°C	High Limit	Auto Reset	3A Relay	Remote	DIN Rail	LV C5JW 0149 0427 A	2, 6, 8
146D-1J3D-4100	120 VAC	J t/c	300 to 800°F	Low Limit	Auto Reset	3A Relay	Integral	DIN Rail	LV C6HZ 0300 0800 A	6, 8
146D-1J3D-4100	120 VAC	J t/c	149 to 427°C	Low Limit	Auto Reset	3A Relay	Integral	DIN Rail	LV C6JZ 0149 0427 A	6, 8
146D-1J3D-4200	120 VAC	J t/c	300 to 800°F	Low Limit	Auto Reset	3A Relay	Remote	DIN Rail	LV C5HZ 0300 0800 A	2, 6, 8
146D-1J3D-4200	120 VAC	J t/c	149 to 427°C	Low Limit	Auto Reset	3A Relay	Remote	DIN Rail	LV C5JZ 0149 0427 A	2, 6, 8
146D-1J3F-1100	120 VAC	J t/c	300 to 800°F	High Limit	Manual Reset	3A Relay	Integral	DIN Rail	LV C6HU 0300 0800 A	6
146D-1J3F-1200	120 VAC	J t/c	300 to 800°F	High Limit	Manual Reset	3A Relay	Remote	DIN Rail	LV C5HU 0300 0800 A	2, 6
146D-1J3F-2100	120 VAC	J t/c	300 to 800°F	Low Limit	Manual Reset	3A Relay	Integral	DIN Rail	LV C6HY 0300 0800 A	6

Series 146

<u>Series 146</u>	Line Voltage	Input	Temp Range	Control Mode	Action	Output	Set Point	Mounting	Retrofit control	See Notes Below
146D-1J3F-2200	120 VAC	J t/c	300 to 800°F	Low Limit	Manual Reset	3A Relay	Remote	DIN Rail	LV C5HY 0300 0800 A	2, 6
146D-1J3F-3100	120 VAC	J t/c	300 to 800°F	High Limit	Auto Reset	3A Relay	Integral	DIN Rail	LV C6HW 0300 0800 A	6
146D-1J3F-3200	120 VAC	J t/c	300 to 800°F	High Limit	Auto Reset	3A Relay	Remote	DIN Rail	LV C5HW 0300 0800 A	2, 6
146D-1J3F-4100	120 VAC	J t/c	300 to 800°F	Low Limit	Auto Reset	3A Relay	Integral	DIN Rail	LV C6HZ 0300 0800 A	6
146D-1J3F-4200	120 VAC	J t/c	300 to 800°F	Low Limit	Auto Reset	3A Relay	Remote	DIN Rail	LV C5HZ 0300 0800 A	2, 6
146D-1J4C-1100	120 VAC	J t/c	-18 to 93°C	High Limit	Manual Reset	3A Relay	Integral	DIN Rail	LV C6JU -018 0093 A	6
146D-1J4C-1200	120 VAC	J t/c	-18 to 93°C	High Limit	Manual Reset	3A Relay	Remote	DIN Rail	LV C5JU -018 0093 A	2, 6
146D-1J4C-2100	120 VAC	J t/c	-18 to 93°C	Low Limit	Manual Reset	3A Relay	Integral	DIN Rail	LV C6JY -018 0093 A	6
146D-1J4C-2200	120 VAC	J t/c	-18 to 93°C	Low Limit	Manual Reset	3A Relay	Remote	DIN Rail	LV C5JY -018 0093 A	2, 6
146D-1J4C-3100	120 VAC	J t/c	-18 to 93°C	High Limit	Auto Reset	3A Relay	Integral	DIN Rail	LV C6JW -018 0093 A	6
146D-1J4C-3200	120 VAC	J t/c	-18 to 93°C	High Limit	Auto Reset	3A Relay	Remote	DIN Rail	LV C5JW -018 0093 A	2, 6
146D-1J4C-4100	120 VAC	J t/c	-18 to 93°C	Low Limit	Auto Reset	3A Relay	Integral	DIN Rail	LV C6JZ -018 0093 A	6
146D-1J4C-4200	120 VAC	J t/c	-18 to 93°C	Low Limit	Auto Reset	3A Relay	Remote	DIN Rail	LV C5JZ -018 0093 A	2, 6
146D-1J4D-1100	120 VAC	J t/c	0 to 200°F	High Limit	Manual Reset	3A Relay	Integral	DIN Rail	LV C6HU 0000 0200 A	6, 8
146D-1J4D-1100	120 VAC	J t/c	-18 to 93°C	High Limit	Manual Reset	3A Relay	Integral	DIN Rail	LV C6JU -018 0093 A	6, 8
146D-1J4D-1200	120 VAC	J t/c	0 to 200°F	High Limit	Manual Reset	3A Relay	Remote	DIN Rail	LV C5HU 0000 0200 A	2, 6, 8
146D-1J4D-1200	120 VAC	J t/c	-18 to 93°C	High Limit	Manual Reset	3A Relay	Remote	DIN Rail	LV C5JU -018 0093 A	2, 6, 8
146D-1J4D-2100	120 VAC	J t/c	0 to 200°F	Low Limit	Manual Reset	3A Relay	Integral	DIN Rail	LV C6HY 0000 0200 A	6, 8
146D-1J4D-2100	120 VAC	J t/c	-18 to 93°C	Low Limit	Manual Reset	3A Relay	Integral	DIN Rail	LV C6JY -018 0093 A	6, 8
146D-1J4D-2200	120 VAC	J t/c	0 to 200°F	Low Limit	Manual Reset	3A Relay	Remote	DIN Rail	LV C5HY 0000 0200 A	2, 6, 8
146D-1J4D-2200	120 VAC	J t/c	-18 to 93°C	Low Limit	Manual Reset	3A Relay	Remote	DIN Rail	LV C5JY -018 0093 A	2, 6, 8
146D-1J4D-3100	120 VAC	J t/c	0 to 200°F	High Limit	Auto Reset	3A Relay	Integral	DIN Rail	LV C6HW 0000 0200 A	6, 8
146D-1J4D-3100	120 VAC	J t/c	-18 to 93°C	High Limit	Auto Reset	3A Relay	Integral	DIN Rail	LV C6JW -018 0093 A	6, 8
146D-1J4D-3200	120 VAC	J t/c	0 to 200°F	High Limit	Auto Reset	3A Relay	Remote	DIN Rail	LV C5HW 0000 0200 A	2, 6, 8
146D-1J4D-3200	120 VAC	J t/c	-18 to 93°C	High Limit	Auto Reset	3A Relay	Remote	DIN Rail	LV C5JW -018 0093 A	2, 6, 8
146D-1J4D-4100	120 VAC	J t/c	0 to 200°F	Low Limit	Auto Reset	3A Relay	Integral	DIN Rail	LV C6HZ 0000 0200 A	6, 8
146D-1J4D-4100	120 VAC	J t/c	-18 to 93°C	Low Limit	Auto Reset	3A Relay	Integral	DIN Rail	LV C6JZ -018 0093 A	6, 8
146D-1J4D-4200	120 VAC	J t/c	0 to 200°F	Low Limit	Auto Reset	3A Relay	Remote	DIN Rail	LV C5HZ 0000 0200 A	2, 6, 8
146D-1J4D-4200	120 VAC	J t/c	-18 to 93°C	Low Limit	Auto Reset	3A Relay	Remote	DIN Rail	LV C5JZ -018 0093 A	2, 6, 8
146D-1J4F-1100	120 VAC	J t/c	0 to 200°F	High Limit	Manual Reset	3A Relay	Integral	DIN Rail	LV C6HU 0000 0200 A	6
146D-1J4F-1200	120 VAC	J t/c	0 to 200°F	High Limit	Manual Reset	3A Relay	Remote	DIN Rail	LV C5HU 0000 0200 A	2, 6
146D-1J4F-2100	120 VAC	J t/c	0 to 200°F	Low Limit	Manual Reset	3A Relay	Integral	DIN Rail	LV C6HY 0000 0200 A	6
146D-1J4F-2200	120 VAC	J t/c	0 to 200°F	Low Limit	Manual Reset	3A Relay	Remote	DIN Rail	LV C5HY 0000 0200 A	2, 6
146D-1J4F-3100	120 VAC	J t/c	0 to 200°F	High Limit	Auto Reset	3A Relay	Integral	DIN Rail	LV C6HW 0000 0200 A	6
146D-1J4F-3200	120 VAC	J t/c	0 to 200°F	High Limit	Auto Reset	3A Relay	Remote	DIN Rail	LV C5HW 0000 0200 A	2, 6
146D-1J4F-4100	120 VAC	J t/c	0 to 200°F	Low Limit	Auto Reset	3A Relay	Integral	DIN Rail	LV C6HZ 0000 0200 A	6
146D-1J4F-4200	120 VAC	J t/c	0 to 200°F	Low Limit	Auto Reset	3A Relay	Remote	DIN Rail	LV C5HZ 0000 0200 A	2, 6
146D-1J5C-1100	120 VAC	J t/c	43 to 54°C	High Limit	Manual Reset	3A Relay	Integral	DIN Rail	LV C6JU 0043 0054 A	6
146D-1J5C-1200	120 VAC	J t/c	43 to 54°C	High Limit	Manual Reset	3A Relay	Remote	DIN Rail	LV C5JU 0043 0054 A	2, 6
146D-1J5C-2100	120 VAC	J t/c	43 to 54°C	Low Limit	Manual Reset	3A Relay	Integral	DIN Rail	LV C6JY 0043 0054 A	6
146D-1J5C-2200	120 VAC	J t/c	43 to 54°C	Low Limit	Manual Reset	3A Relay	Remote	DIN Rail	LV C5JY 0043 0054 A	2, 6

Series 146

<u>Series 146</u>	Line Voltage	Input	Temp Range	Control Mode	Action	Output	Set Point	Mounting	Retrofit control	See Notes Below
146D-1J5C-3100	120 VAC	J t/c	43 to 54°C	High Limit	Auto Reset	3A Relay	Integral	DIN Rail	LV C6JW 0043 0054 A	6
146D-1J5C-3200	120 VAC	J t/c	43 to 54°C	High Limit	Auto Reset	3A Relay	Remote	DIN Rail	LV C5JW 0043 0054 A	2, 6
146D-1J5C-4100	120 VAC	J t/c	43 to 54°C	Low Limit	Auto Reset	3A Relay	Integral	DIN Rail	LV C6JZ 0043 0054 A	6
146D-1J5C-4200	120 VAC	J t/c	43 to 54°C	Low Limit	Auto Reset	3A Relay	Remote	DIN Rail	LV C5JZ 0043 0054 A	2, 6
146D-1J5D-1100	120 VAC	J t/c	110 to 130°F	High Limit	Manual Reset	3A Relay	Integral	DIN Rail	LV C6HU 0110 0130 A	6, 8
146D-1J5D-1100	120 VAC	J t/c	43 to 54°C	High Limit	Manual Reset	3A Relay	Integral	DIN Rail	LV C6JU 0043 0054 A	6, 8
146D-1J5D-1200	120 VAC	J t/c	110 to 130°F	High Limit	Manual Reset	3A Relay	Remote	DIN Rail	LV C5HU 0110 0130 A	2, 6, 8
146D-1J5D-1200	120 VAC	J t/c	43 to 54°C	High Limit	Manual Reset	3A Relay	Remote	DIN Rail	LV C5JU 0043 0054 A	2, 6, 8
146D-1J5D-2100	120 VAC	J t/c	110 to 130°F	Low Limit	Manual Reset	3A Relay	Integral	DIN Rail	LV C6HY 0110 0130 A	6, 8
146D-1J5D-2100	120 VAC	J t/c	43 to 54°C	Low Limit	Manual Reset	3A Relay	Integral	DIN Rail	LV C6JY 0043 0054 A	6, 8
146D-1J5D-2200	120 VAC	J t/c	110 to 130°F	Low Limit	Manual Reset	3A Relay	Remote	DIN Rail	LV C5HY 0110 0130 A	2, 6, 8
146D-1J5D-2200	120 VAC	J t/c	43 to 54°C	Low Limit	Manual Reset	3A Relay	Remote	DIN Rail	LV C5JY 0043 0054 A	2, 6, 8
146D-1J5D-3100	120 VAC	J t/c	110 to 130°F	High Limit	Auto Reset	3A Relay	Integral	DIN Rail	LV C6HW 0110 0130 A	6, 8
146D-1J5D-3100	120 VAC	J t/c	43 to 54°C	High Limit	Auto Reset	3A Relay	Integral	DIN Rail	LV C6JW 0043 0054 A	6, 8
146D-1J5D-3200	120 VAC	J t/c	110 to 130°F	High Limit	Auto Reset	3A Relay	Remote	DIN Rail	LV C5HW 0110 0130 A	2, 6, 8
146D-1J5D-3200	120 VAC	J t/c	43 to 54°C	High Limit	Auto Reset	3A Relay	Remote	DIN Rail	LV C5JW 0043 0054 A	2, 6, 8
146D-1J5D-4100	120 VAC	J t/c	110 to 130°F	Low Limit	Auto Reset	3A Relay	Integral	DIN Rail	LV C6HZ 0110 0130 A	6, 8
146D-1J5D-4100	120 VAC	J t/c	43 to 54°C	Low Limit	Auto Reset	3A Relay	Integral	DIN Rail	LV C6JZ 0043 0054 A	6, 8
146D-1J5D-4200	120 VAC	J t/c	110 to 130°F	Low Limit	Auto Reset	3A Relay	Remote	DIN Rail	LV C5HZ 0110 0130 A	2, 6, 8
146D-1J5D-4200	120 VAC	J t/c	43 to 54°C	Low Limit	Auto Reset	3A Relay	Remote	DIN Rail	LV C5JZ 0043 0054 A	2, 6, 8
146D-1J5F-1100	120 VAC	J t/c	110 to 130°F	High Limit	Manual Reset	3A Relay	Integral	DIN Rail	LV C6HU 0110 0130 A	6
146D-1J5F-1200	120 VAC	J t/c	110 to 130°F	High Limit	Manual Reset	3A Relay	Remote	DIN Rail	LV C5HU 0110 0130 A	2, 6
146D-1J5F-2100	120 VAC	J t/c	110 to 130°F	Low Limit	Manual Reset	3A Relay	Integral	DIN Rail	LV C6HY 0110 0130 A	6
146D-1J5F-2200	120 VAC	J t/c	110 to 130°F	Low Limit	Manual Reset	3A Relay	Remote	DIN Rail	LV C5HY 0110 0130 A	2, 6
146D-1J5F-3100	120 VAC	J t/c	110 to 130°F	High Limit	Auto Reset	3A Relay	Integral	DIN Rail	LV C6HW 0110 0130 A	6
146D-1J5F-3200	120 VAC	J t/c	110 to 130°F	High Limit	Auto Reset	3A Relay	Remote	DIN Rail	LV C5HW 0110 0130 A	2, 6
146D-1J5F-4100	120 VAC	J t/c	110 to 130°F	Low Limit	Auto Reset	3A Relay	Integral	DIN Rail	LV C6HZ 0110 0130 A	6
146D-1J5F-4200	120 VAC	J t/c	110 to 130°F	Low Limit	Auto Reset	3A Relay	Remote	DIN Rail	LV C5HZ 0110 0130 A	2, 6
146D-1K1C-1100	120 VAC	K t/c	0 to 1250°C	High Limit	Manual Reset	3A Relay	Integral	DIN Rail	LV C6LU 0000 1250 A	6
146D-1K1C-1200	120 VAC	K t/c	0 to 1250°C	High Limit	Manual Reset	3A Relay	Remote	DIN Rail	LV C5LU 0000 1250 A	2, 6
146D-1K1C-2100	120 VAC	K t/c	0 to 1250°C	Low Limit	Manual Reset	3A Relay	Integral	DIN Rail	LV C6LY 0000 1250 A	6
146D-1K1C-2200	120 VAC	K t/c	0 to 1250°C	Low Limit	Manual Reset	3A Relay	Remote	DIN Rail	LV C5LY 0000 1250 A	2, 6
146D-1K1C-3100	120 VAC	K t/c	0 to 1250°C	High Limit	Auto Reset	3A Relay	Integral	DIN Rail	LV C6LW 0000 1250 A	6
146D-1K1C-3200	120 VAC	K t/c	0 to 1250°C	High Limit	Auto Reset	3A Relay	Remote	DIN Rail	LV C5LW 0000 1250 A	2, 6
146D-1K1C-4100	120 VAC	K t/c	0 to 1250°C	Low Limit	Auto Reset	3A Relay	Integral	DIN Rail	LV C6LZ 0000 1250 A	6
146D-1K1C-4200	120 VAC	K t/c	0 to 1250°C	Low Limit	Auto Reset	3A Relay	Remote	DIN Rail	LV C5LZ 0000 1250 A	2, 6
146D-1K1D-1100	120 VAC	K t/c	32 to 2282°F	High Limit	Manual Reset	3A Relay	Integral	DIN Rail	LV C6KU 0032 2282 A	6, 8
146D-1K1D-1100	120 VAC	K t/c	0 to 1250°C	High Limit	Manual Reset	3A Relay	Integral	DIN Rail	LV C6LU 0000 1250 A	6, 8
146D-1K1D-1200	120 VAC	K t/c	32 to 2282°F	High Limit	Manual Reset	3A Relay	Remote	DIN Rail	LV C5KU 0032 2282 A	2, 6, 8
146D-1K1D-1200	120 VAC	K t/c	0 to 1250°C	High Limit	Manual Reset	3A Relay	Remote	DIN Rail	LV C5LU 0000 1250 A	2, 6, 8
146D-1K1D-2100	120 VAC	K t/c	32 to 2282°F	Low Limit	Manual Reset	3A Relay	Integral	DIN Rail	LV C6KY 0032 2282 A	6, 8

Series 146

<u>Series 146</u>	Line Voltage	Input	Temp Range	Control Mode	Action	Output	Set Point	Mounting	Retrofit control	See Notes Below
146D-1K1D-2100	120 VAC	K t/c	0 to 1250°C	Low Limit	Manual Reset	3A Relay	Integral	DIN Rail	LV C6LY 0000 1250 A	6, 8
146D-1K1D-2200	120 VAC	K t/c	32 to 2282°F	Low Limit	Manual Reset	3A Relay	Remote	DIN Rail	LV C5KY 0032 2282 A	2, 6, 8
146D-1K1D-2200	120 VAC	K t/c	0 to 1250°C	Low Limit	Manual Reset	3A Relay	Remote	DIN Rail	LV C5LY 0000 1250 A	2, 6, 8
146D-1K1D-3100	120 VAC	K t/c	32 to 2282°F	High Limit	Auto Reset	3A Relay	Integral	DIN Rail	LV C6KW 0032 2282 A	6, 8
146D-1K1D-3100	120 VAC	K t/c	0 to 1250°C	High Limit	Auto Reset	3A Relay	Integral	DIN Rail	LV C6LW 0000 1250 A	6, 8
146D-1K1D-3200	120 VAC	K t/c	32 to 2282°F	High Limit	Auto Reset	3A Relay	Remote	DIN Rail	LV C5KW 0032 2282 A	2, 6, 8
146D-1K1D-3200	120 VAC	K t/c	0 to 1250°C	High Limit	Auto Reset	3A Relay	Remote	DIN Rail	LV C5LW 0000 1250 A	2, 6, 8
146D-1K1D-4100	120 VAC	K t/c	32 to 2282°F	Low Limit	Auto Reset	3A Relay	Integral	DIN Rail	LV C6KZ 0032 2282 A	6, 8
146D-1K1D-4100	120 VAC	K t/c	0 to 1250°C	Low Limit	Auto Reset	3A Relay	Integral	DIN Rail	LV C6LZ 0000 1250 A	6, 8
146D-1K1D-4200	120 VAC	K t/c	32 to 2282°F	Low Limit	Auto Reset	3A Relay	Remote	DIN Rail	LV C5KZ 0032 2282 A	2, 6, 8
146D-1K1D-4200	120 VAC	K t/c	0 to 1250°C	Low Limit	Auto Reset	3A Relay	Remote	DIN Rail	LV C5LZ 0000 1250 A	2, 6, 8
146D-1K1F-1100	120 VAC	K t/c	32 to 2282°F	High Limit	Manual Reset	3A Relay	Integral	DIN Rail	LV C6KU 0032 2282 A	6
146D-1K1F-1200	120 VAC	K t/c	32 to 2282°F	High Limit	Manual Reset	3A Relay	Remote	DIN Rail	LV C5KU 0032 2282 A	2, 6
146D-1K1F-2100	120 VAC	K t/c	32 to 2282°F	Low Limit	Manual Reset	3A Relay	Integral	DIN Rail	LV C6KY 0032 2282 A	6
146D-1K1F-2200	120 VAC	K t/c	32 to 2282°F	Low Limit	Manual Reset	3A Relay	Remote	DIN Rail	LV C5KY 0032 2282 A	2, 6
146D-1K1F-3100	120 VAC	K t/c	32 to 2282°F	High Limit	Auto Reset	3A Relay	Integral	DIN Rail	LV C6KW 0032 2282 A	6
146D-1K1F-3200	120 VAC	K t/c	32 to 2282°F	High Limit	Auto Reset	3A Relay	Remote	DIN Rail	LV C5KW 0032 2282 A	2, 6
146D-1K1F-4100	120 VAC	K t/c	32 to 2282°F	Low Limit	Auto Reset	3A Relay	Integral	DIN Rail	LV C6KZ 0032 2282 A	6
146D-1K1F-4200	120 VAC	K t/c	32 to 2282°F	Low Limit	Auto Reset	3A Relay	Remote	DIN Rail	LV C5KZ 0032 2282 A	2, 6
146D-1K2C-1100	120 VAC	K t/c	16 to 149°C	High Limit	Manual Reset	3A Relay	Integral	DIN Rail	LV C6LU 0016 0149 A	6
146D-1K2C-1200	120 VAC	K t/c	16 to 149°C	High Limit	Manual Reset	3A Relay	Remote	DIN Rail	LV C5LU 0016 0149 A	2, 6
146D-1K2C-2100	120 VAC	K t/c	16 to 149°C	Low Limit	Manual Reset	3A Relay	Integral	DIN Rail	LV C6LY 0016 0149 A	6
146D-1K2C-2200	120 VAC	K t/c	16 to 149°C	Low Limit	Manual Reset	3A Relay	Remote	DIN Rail	LV C5LY 0016 0149 A	2, 6
146D-1K2C-3100	120 VAC	K t/c	16 to 149°C	High Limit	Auto Reset	3A Relay	Integral	DIN Rail	LV C6LW 0016 0149 A	6
146D-1K2C-3200	120 VAC	K t/c	16 to 149°C	High Limit	Auto Reset	3A Relay	Remote	DIN Rail	LV C5LW 0016 0149 A	2, 6
146D-1K2C-4100	120 VAC	K t/c	16 to 149°C	Low Limit	Auto Reset	3A Relay	Integral	DIN Rail	LV C6LZ 0016 0149 A	6
146D-1K2C-4200	120 VAC	K t/c	16 to 149°C	Low Limit	Auto Reset	3A Relay	Remote	DIN Rail	LV C5LZ 0016 0149 A	2, 6
146D-1K2D-1100	120 VAC	K t/c	60 to 300°F	High Limit	Manual Reset	3A Relay	Integral	DIN Rail	LV C6KU 0060 0300 A	6, 8
146D-1K2D-1100	120 VAC	K t/c	16 to 149°C	High Limit	Manual Reset	3A Relay	Integral	DIN Rail	LV C6LU 0016 0149 A	6, 8
146D-1K2D-1200	120 VAC	K t/c	60 to 300°F	High Limit	Manual Reset	3A Relay	Remote	DIN Rail	LV C5KU 0060 0300 A	2, 6, 8
146D-1K2D-1200	120 VAC	K t/c	16 to 149°C	High Limit	Manual Reset	3A Relay	Remote	DIN Rail	LV C5LU 0016 0149 A	2, 6, 8
146D-1K2D-2100	120 VAC	K t/c	60 to 300°F	Low Limit	Manual Reset	3A Relay	Integral	DIN Rail	LV C6KY 0060 0300 A	6, 8
146D-1K2D-2100	120 VAC	K t/c	16 to 149°C	Low Limit	Manual Reset	3A Relay	Integral	DIN Rail	LV C6LY 0016 0149 A	6, 8
146D-1K2D-2200	120 VAC	K t/c	60 to 300°F	Low Limit	Manual Reset	3A Relay	Remote	DIN Rail	LV C5KY 0060 0300 A	2, 6, 8
146D-1K2D-2200	120 VAC	K t/c	16 to 149°C	Low Limit	Manual Reset	3A Relay	Remote	DIN Rail	LV C5LY 0016 0149 A	2, 6, 8
146D-1K2D-3100	120 VAC	K t/c	60 to 300°F	High Limit	Auto Reset	3A Relay	Integral	DIN Rail	LV C6KW 0060 0300 A	6, 8
146D-1K2D-3100	120 VAC	K t/c	16 to 149°C	High Limit	Auto Reset	3A Relay	Integral	DIN Rail	LV C6LW 0016 0149 A	6, 8
146D-1K2D-3200	120 VAC	K t/c	60 to 300°F	High Limit	Auto Reset	3A Relay	Remote	DIN Rail	LV C5KW 0060 0300 A	2, 6, 8
146D-1K2D-3200	120 VAC	K t/c	16 to 149°C	High Limit	Auto Reset	3A Relay	Remote	DIN Rail	LV C5LW 0016 0149 A	2, 6, 8
146D-1K2D-4100	120 VAC	K t/c	60 to 300°F	Low Limit	Auto Reset	3A Relay	Integral	DIN Rail	LV C6KZ 0060 0300 A	6, 8
146D-1K2D-4100	120 VAC	K t/c	16 to 149°C	Low Limit	Auto Reset	3A Relay	Integral	DIN Rail	LV C6LZ 0016 0149 A	6, 8

Series 146

<u>Series 146</u>	Line Voltage	Input	Temp Range	Control Mode	Action	Output	Set Point	Mounting	Retrofit control	See Notes Below
146D-1K2D-4200	120 VAC	K t/c	60 to 300°F	Low Limit	Auto Reset	3A Relay	Remote	DIN Rail	LV C5KZ 0060 0300 A	2, 6, 8
146D-1K2D-4200	120 VAC	K t/c	16 to 149°C	Low Limit	Auto Reset	3A Relay	Remote	DIN Rail	LV C5LZ 0016 0149 A	2, 6, 8
146D-1K2F-1100	120 VAC	K t/c	60 to 300°F	High Limit	Manual Reset	3A Relay	Integral	DIN Rail	LV C6KU 0060 0300 A	6
146D-1K2F-1200	120 VAC	K t/c	60 to 300°F	High Limit	Manual Reset	3A Relay	Remote	DIN Rail	LV C5KU 0060 0300 A	2, 6
146D-1K2F-2100	120 VAC	K t/c	60 to 300°F	Low Limit	Manual Reset	3A Relay	Integral	DIN Rail	LV C6KY 0060 0300 A	6
146D-1K2F-2200	120 VAC	K t/c	60 to 300°F	Low Limit	Manual Reset	3A Relay	Remote	DIN Rail	LV C5KY 0060 0300 A	2, 6
146D-1K2F-3100	120 VAC	K t/c	60 to 300°F	High Limit	Auto Reset	3A Relay	Integral	DIN Rail	LV C6KW 0060 0300 A	6
146D-1K2F-3200	120 VAC	K t/c	60 to 300°F	High Limit	Auto Reset	3A Relay	Remote	DIN Rail	LV C5KW 0060 0300 A	2, 6
146D-1K2F-4100	120 VAC	K t/c	60 to 300°F	Low Limit	Auto Reset	3A Relay	Integral	DIN Rail	LV C6KZ 0060 0300 A	6
146D-1K2F-4200	120 VAC	K t/c	60 to 300°F	Low Limit	Auto Reset	3A Relay	Remote	DIN Rail	LV C5KZ 0060 0300 A	2, 6
146D-1K3C-1100	120 VAC	K t/c	0 to 600°C	High Limit	Manual Reset	3A Relay	Integral	DIN Rail	LV C6LU 0000 0600 A	6
146D-1K3C-1200	120 VAC	K t/c	0 to 600°C	High Limit	Manual Reset	3A Relay	Remote	DIN Rail	LV C5LU 0000 0600 A	2, 6
146D-1K3C-2100	120 VAC	K t/c	0 to 600°C	Low Limit	Manual Reset	3A Relay	Integral	DIN Rail	LV C6LY 0000 0600 A	6
146D-1K3C-2200	120 VAC	K t/c	0 to 600°C	Low Limit	Manual Reset	3A Relay	Remote	DIN Rail	LV C5LY 0000 0600 A	2, 6
146D-1K3C-3100	120 VAC	K t/c	0 to 600°C	High Limit	Auto Reset	3A Relay	Integral	DIN Rail	LV C6LW 0000 0600 A	6
146D-1K3C-3200	120 VAC	K t/c	0 to 600°C	High Limit	Auto Reset	3A Relay	Remote	DIN Rail	LV C5LW 0000 0600 A	2, 6
146D-1K3C-4100	120 VAC	K t/c	0 to 600°C	Low Limit	Auto Reset	3A Relay	Integral	DIN Rail	LV C6LZ 0000 0600 A	6
146D-1K3C-4200	120 VAC	K t/c	0 to 600°C	Low Limit	Auto Reset	3A Relay	Remote	DIN Rail	LV C5LZ 0000 0600 A	2, 6
146D-1K3D-1100	120 VAC	K t/c	32 to 1112°F	High Limit	Manual Reset	3A Relay	Integral	DIN Rail	LV C6KU 0032 1112 A	6, 8
146D-1K3D-1100	120 VAC	K t/c	0 to 600°C	High Limit	Manual Reset	3A Relay	Integral	DIN Rail	LV C6LU 0000 0600 A	6, 8
146D-1K3D-1200	120 VAC	K t/c	32 to 1112°F	High Limit	Manual Reset	3A Relay	Remote	DIN Rail	LV C5KU 0032 1112 A	2, 6, 8
146D-1K3D-1200	120 VAC	K t/c	0 to 600°C	High Limit	Manual Reset	3A Relay	Remote	DIN Rail	LV C5LU 0000 0600 A	2, 6, 8
146D-1K3D-2100	120 VAC	K t/c	32 to 1112°F	Low Limit	Manual Reset	3A Relay	Integral	DIN Rail	LV C6KY0032 1112 A	6, 8
146D-1K3D-2100	120 VAC	K t/c	0 to 600°C	Low Limit	Manual Reset	3A Relay	Integral	DIN Rail	LV C6LY 0000 0600 A	6, 8
146D-1K3D-2200	120 VAC	K t/c	32 to 1112°F	Low Limit	Manual Reset	3A Relay	Remote	DIN Rail	LV C5KY 0032 1112 A	2, 6, 8
146D-1K3D-2200	120 VAC	K t/c	0 to 600°C	Low Limit	Manual Reset	3A Relay	Remote	DIN Rail	LV C5LY 0000 0600 A	2, 6, 8
146D-1K3D-3100	120 VAC	K t/c	32 to 1112°F	High Limit	Auto Reset	3A Relay	Integral	DIN Rail	LV C6KW 0032 1112 A	6, 8
146D-1K3D-3100	120 VAC	K t/c	0 to 600°C	High Limit	Auto Reset	3A Relay	Integral	DIN Rail	LV C6LW 0000 0600 A	6, 8
146D-1K3D-3200	120 VAC	K t/c	32 to 1112°F	High Limit	Auto Reset	3A Relay	Remote	DIN Rail	LV C5KW 0032 1112 A	2, 6, 8
146D-1K3D-3200	120 VAC	K t/c	0 to 600°C	High Limit	Auto Reset	3A Relay	Remote	DIN Rail	LV C5LW 0000 0600 A	2, 6, 8
146D-1K3D-4100	120 VAC	K t/c	32 to 1112°F	Low Limit	Auto Reset	3A Relay	Integral	DIN Rail	LV C6KZ 0032 1112 A	6, 8
146D-1K3D-4100	120 VAC	K t/c	0 to 600°C	Low Limit	Auto Reset	3A Relay	Integral	DIN Rail	LV C6LZ 0000 0600 A	6, 8
146D-1K3D-4200	120 VAC	K t/c	32 to 1112°F	Low Limit	Auto Reset	3A Relay	Remote	DIN Rail	LV C5KZ0032 1112 A	2, 6, 8
146D-1K3D-4200	120 VAC	K t/c	0 to 600°C	Low Limit	Auto Reset	3A Relay	Remote	DIN Rail	LV C5LZ 0000 0600 A	2, 6, 8
146D-1K3F-1100	120 VAC	K t/c	32 to 1112°F	High Limit	Manual Reset	3A Relay	Integral	DIN Rail	LV C6KU 0032 1112 A	6
146D-1K3F-1200	120 VAC	K t/c	32 to 1112°F	High Limit	Manual Reset	3A Relay	Remote	DIN Rail	LV C5KU 0032 1112 A	2, 6
146D-1K3F-2100	120 VAC	K t/c	32 to 1112°F	Low Limit	Manual Reset	3A Relay	Integral	DIN Rail	LV C6KY0032 1112 A	6
146D-1K3F-2200	120 VAC	K t/c	32 to 1112°F	Low Limit	Manual Reset	3A Relay	Remote	DIN Rail	LV C5KY 0032 1112 A	2, 6
146D-1K3F-3100	120 VAC	K t/c	32 to 1112°F	High Limit	Auto Reset	3A Relay	Integral	DIN Rail	LV C6KW 0032 1112 A	6
146D-1K3F-3200	120 VAC	K t/c	32 to 1112°F	High Limit	Auto Reset	3A Relay	Remote	DIN Rail	LV C5KW 0032 1112 A	2, 6
146D-1K3F-4100	120 VAC	K t/c	32 to 1112°F	Low Limit	Auto Reset	3A Relay	Integral	DIN Rail	LV C6KZ 0032 1112 A	6

Series 146

Series 146	Line Voltage	Input	Temp Range	Control Mode	Action	Output	Set Point	Mounting	Retrofit control	See Notes Below
146D-1K3F-4200	120 VAC	K t/c	32 to 1112°F	Low Limit	Auto Reset	3A Relay	Remote	DIN Rail	LV C5KZ0032 1112 A	2, 6
146D-1K4C-1100	120 VAC	K t/c	0 to 66°C	High Limit	Manual Reset	3A Relay	Integral	DIN Rail	LV C6LU 0000 0066 A	6
146D-1K4C-1200	120 VAC	K t/c	0 to 66°C	High Limit	Manual Reset	3A Relay	Remote	DIN Rail	LV C5LU 0000 0066 A	2, 6
146D-1K4C-2100	120 VAC	K t/c	0 to 66°C	Low Limit	Manual Reset	3A Relay	Integral	DIN Rail	LV C6LY 0000 0066 A	6
146D-1K4C-2200	120 VAC	K t/c	0 to 66°C	Low Limit	Manual Reset	3A Relay	Remote	DIN Rail	LV C5LY 0000 0066 A	2, 6
146D-1K4C-3100	120 VAC	K t/c	0 to 66°C	High Limit	Auto Reset	3A Relay	Integral	DIN Rail	LV C6LW 0000 0066 A	6
146D-1K4C-3200	120 VAC	K t/c	0 to 66°C	High Limit	Auto Reset	3A Relay	Remote	DIN Rail	LV C5LW 0000 0066 A	2, 6
146D-1K4C-4100	120 VAC	K t/c	0 to 66°C	Low Limit	Auto Reset	3A Relay	Integral	DIN Rail	LV C6LZ 0000 0066 A	6
146D-1K4C-4200	120 VAC	K t/c	0 to 66°C	Low Limit	Auto Reset	3A Relay	Remote	DIN Rail	LV C5LZ 0000 0066 A	2, 6
146D-1K4D-1100	120 VAC	K t/c	32 to 150°F	High Limit	Manual Reset	3A Relay	Integral	DIN Rail	LV C6KU 0032 0150 A	6, 8
146D-1K4D-1100	120 VAC	K t/c	0 to 66°C	High Limit	Manual Reset	3A Relay	Integral	DIN Rail	LV C6LU 0000 0066 A	6, 8
146D-1K4D-1200	120 VAC	K t/c	32 to 150°F	High Limit	Manual Reset	3A Relay	Remote	DIN Rail	LV C5KU 0032 0150 A	2, 6, 8
146D-1K4D-1200	120 VAC	K t/c	0 to 66°C	High Limit	Manual Reset	3A Relay	Remote	DIN Rail	LV C5LU 0000 0066 A	2, 6, 8
146D-1K4D-2100	120 VAC	K t/c	32 to 150°F	Low Limit	Manual Reset	3A Relay	Integral	DIN Rail	LV C6KY 0032 0150 A	6, 8
146D-1K4D-2100	120 VAC	K t/c	0 to 66°C	Low Limit	Manual Reset	3A Relay	Integral	DIN Rail	LV C6LY 0000 0066 A	6, 8
146D-1K4D-2200	120 VAC	K t/c	32 to 150°F	Low Limit	Manual Reset	3A Relay	Remote	DIN Rail	LV C5KY 0032 0150 A	2, 6, 8
146D-1K4D-2200	120 VAC	K t/c	0 to 66°C	Low Limit	Manual Reset	3A Relay	Remote	DIN Rail	LV C5LY 0000 0066 A	2, 6, 8
146D-1K4D-3100	120 VAC	K t/c	32 to 150°F	High Limit	Auto Reset	3A Relay	Integral	DIN Rail	LV C6KW 0032 0150 A	6, 8
146D-1K4D-3100	120 VAC	K t/c	0 to 66°C	High Limit	Auto Reset	3A Relay	Integral	DIN Rail	LV C6LW 0000 0066 A	6, 8
146D-1K4D-3200	120 VAC	K t/c	32 to 150°F	High Limit	Auto Reset	3A Relay	Remote	DIN Rail	LV C5KW 0032 0150 A	2, 6, 8
146D-1K4D-3200	120 VAC	K t/c	0 to 66°C	High Limit	Auto Reset	3A Relay	Remote	DIN Rail	LV C5LW 0000 0066 A	2, 6, 8
146D-1K4D-4100	120 VAC	K t/c	32 to 150°F	Low Limit	Auto Reset	3A Relay	Integral	DIN Rail	LV C6KZ 0032 0150 A	6, 8
146D-1K4D-4100	120 VAC	K t/c	0 to 66°C	Low Limit	Auto Reset	3A Relay	Integral	DIN Rail	LV C6LZ 0000 0066 A	6, 8
146D-1K4D-4200	120 VAC	K t/c	32 to 150°F	Low Limit	Auto Reset	3A Relay	Remote	DIN Rail	LV C5KZ 0032 0150 A	2, 6, 8
146D-1K4D-4200	120 VAC	K t/c	0 to 66°C	Low Limit	Auto Reset	3A Relay	Remote	DIN Rail	LV C5LZ 0000 0066 A	2, 6, 8
146D-1K4F-1100	120 VAC	K t/c	32 to 150°F	High Limit	Manual Reset	3A Relay	Integral	DIN Rail	LV C6KU 0032 0150 A	6
146D-1K4F-1200	120 VAC	K t/c	32 to 150°F	High Limit	Manual Reset	3A Relay	Remote	DIN Rail	LV C5KU 0032 0150 A	2, 6
146D-1K4F-2100	120 VAC	K t/c	32 to 150°F	Low Limit	Manual Reset	3A Relay	Integral	DIN Rail	LV C6KY 0032 0150 A	6
146D-1K4F-2200	120 VAC	K t/c	32 to 150°F	Low Limit	Manual Reset	3A Relay	Remote	DIN Rail	LV C5KY 0032 0150 A	2, 6
146D-1K4F-3100	120 VAC	K t/c	32 to 150°F	High Limit	Auto Reset	3A Relay	Integral	DIN Rail	LV C6KW 0032 0150 A	6
146D-1K4F-3200	120 VAC	K t/c	32 to 150°F	High Limit	Auto Reset	3A Relay	Remote	DIN Rail	LV C5KW 0032 0150 A	2, 6
146D-1K4F-4100	120 VAC	K t/c	32 to 150°F	Low Limit	Auto Reset	3A Relay	Integral	DIN Rail	LV C6KZ 0032 0150 A	6
146D-1K4F-4200	120 VAC	K t/c	32 to 150°F	Low Limit	Auto Reset	3A Relay	Remote	DIN Rail	LV C5KZ 0032 0150 A	2, 6
146D-1K5C-1100	120 VAC	K t/c	-17 to 315°C	High Limit	Manual Reset	3A Relay	Integral	DIN Rail	LV C6LU -017 0315 A	6
146D-1K5C-1200	120 VAC	K t/c	-17 to 315°C	High Limit	Manual Reset	3A Relay	Remote	DIN Rail	LV C5LU -017 0315 A	2, 6
146D-1K5C-2100	120 VAC	K t/c	-17 to 315°C	Low Limit	Manual Reset	3A Relay	Integral	DIN Rail	LV C6LY -017 0315 A	6
146D-1K5C-2200	120 VAC	K t/c	-17 to 315°C	Low Limit	Manual Reset	3A Relay	Remote	DIN Rail	LV C5LY -017 0315 A	2, 6
146D-1K5C-3100	120 VAC	K t/c	-17 to 315°C	High Limit	Auto Reset	3A Relay	Integral	DIN Rail	LV C6LW -017 0315 A	6
146D-1K5C-3200	120 VAC	K t/c	-17 to 315°C	High Limit	Auto Reset	3A Relay	Remote	DIN Rail	LV C5LW -017 0315 A	2, 6
146D-1K5C-4100	120 VAC	K t/c	-17 to 315°C	Low Limit	Auto Reset	3A Relay	Integral	DIN Rail	LV C6LZ -017 0315 A	6
146D-1K5C-4200	120 VAC	K t/c	-17 to 315°C	Low Limit	Auto Reset	3A Relay	Remote	DIN Rail	LV C5LZ -017 0315 A	2, 6

Series 146

<u>Series 146</u>	Line Voltage	Input	Temp Range	Control Mode	Action	Output	Set Point	Mounting	Retrofit control	See Notes Below
146D-1K5D-1100	120 VAC	K t/c	0 to 600°F	High Limit	Manual Reset	3A Relay	Integral	DIN Rail	LV C6KU 0000 0600 A	6, 8
146D-1K5D-1100	120 VAC	K t/c	-17 to 315°C	High Limit	Manual Reset	3A Relay	Integral	DIN Rail	LV C6LU -017 0315 A	6, 8
146D-1K5D-1200	120 VAC	K t/c	0 to 600°F	High Limit	Manual Reset	3A Relay	Remote	DIN Rail	LV C5KU 0000 0600 A	2, 6, 8
146D-1K5D-1200	120 VAC	K t/c	-17 to 315°C	High Limit	Manual Reset	3A Relay	Remote	DIN Rail	LV C5LU -017 0315 A	2, 6, 8
146D-1K5D-2100	120 VAC	K t/c	0 to 600°F	Low Limit	Manual Reset	3A Relay	Integral	DIN Rail	LV C6KY 0000 0600 A	6, 8
146D-1K5D-2100	120 VAC	K t/c	-17 to 315°C	Low Limit	Manual Reset	3A Relay	Integral	DIN Rail	LV C6LY -017 0315 A	6, 8
146D-1K5D-2200	120 VAC	K t/c	0 to 600°F	Low Limit	Manual Reset	3A Relay	Remote	DIN Rail	LV C5KY 0000 0600 A	2, 6, 8
146D-1K5D-2200	120 VAC	K t/c	-17 to 315°C	Low Limit	Manual Reset	3A Relay	Remote	DIN Rail	LV C5LY -017 0315 A	2, 6, 8
146D-1K5D-3100	120 VAC	K t/c	0 to 600°F	High Limit	Auto Reset	3A Relay	Integral	DIN Rail	LV C6KW 0000 0600 A	6, 8
146D-1K5D-3100	120 VAC	K t/c	-17 to 315°C	High Limit	Auto Reset	3A Relay	Integral	DIN Rail	LV C6LW -017 0315 A	6, 8
146D-1K5D-3200	120 VAC	K t/c	0 to 600°F	High Limit	Auto Reset	3A Relay	Remote	DIN Rail	LV C5KW 0000 0600 A	2, 6, 8
146D-1K5D-3200	120 VAC	K t/c	-17 to 315°C	High Limit	Auto Reset	3A Relay	Remote	DIN Rail	LV C5LW -017 0315 A	2, 6, 8
146D-1K5D-4100	120 VAC	K t/c	0 to 600°F	Low Limit	Auto Reset	3A Relay	Integral	DIN Rail	LV C6KZ 0000 0600 A	6, 8
146D-1K5D-4100	120 VAC	K t/c	-17 to 315°C	Low Limit	Auto Reset	3A Relay	Integral	DIN Rail	LV C6LZ -017 0315 A	6, 8
146D-1K5D-4200	120 VAC	K t/c	0 to 600°F	Low Limit	Auto Reset	3A Relay	Remote	DIN Rail	LV C5KZ 0000 0600 A	2, 6, 8
146D-1K5D-4200	120 VAC	K t/c	-17 to 315°C	Low Limit	Auto Reset	3A Relay	Remote	DIN Rail	LV C5LZ -017 0315 A	2, 6, 8
146D-1K5F-1100	120 VAC	K t/c	0 to 600°F	High Limit	Manual Reset	3A Relay	Integral	DIN Rail	LV C6KU 0000 0600 A	6
146D-1K5F-1200	120 VAC	K t/c	0 to 600°F	High Limit	Manual Reset	3A Relay	Remote	DIN Rail	LV C5KU 0000 0600 A	2, 6
146D-1K5F-2100	120 VAC	K t/c	0 to 600°F	Low Limit	Manual Reset	3A Relay	Integral	DIN Rail	LV C6KY 0000 0600 A	6
146D-1K5F-2200	120 VAC	K t/c	0 to 600°F	Low Limit	Manual Reset	3A Relay	Remote	DIN Rail	LV C5KY 0000 0600 A	2, 6
146D-1K5F-3100	120 VAC	K t/c	0 to 600°F	High Limit	Auto Reset	3A Relay	Integral	DIN Rail	LV C6KW 0000 0600 A	6
146D-1K5F-3200	120 VAC	K t/c	0 to 600°F	High Limit	Auto Reset	3A Relay	Remote	DIN Rail	LV C5KW 0000 0600 A	2, 6
146D-1K5F-4100	120 VAC	K t/c	0 to 600°F	Low Limit	Auto Reset	3A Relay	Integral	DIN Rail	LV C6KZ 0000 0600 A	6
146D-1K5F-4200	120 VAC	K t/c	0 to 600°F	Low Limit	Auto Reset	3A Relay	Remote	DIN Rail	LV C5KZ 0000 0600 A	2, 6
146D-1P1C-1100	120 VAC	100 ohm DIN	-73 to 600°C	High Limit	Manual Reset	3A Relay	Integral	DIN Rail	LV C6RU -073 0600 A	6
146D-1P1C-1200	120 VAC	100 ohm DIN	-73 to 600°C	High Limit	Manual Reset	3A Relay	Remote	DIN Rail	LV C5RU -073 0600 A	2, 6
146D-1P1C-2100	120 VAC	100 ohm DIN	-73 to 600°C	Low Limit	Manual Reset	3A Relay	Integral	DIN Rail	LV C6RY -073 0600 A	6
146D-1P1C-2200	120 VAC	100 ohm DIN	-73 to 600°C	Low Limit	Manual Reset	3A Relay	Remote	DIN Rail	LV C5RY -073 0600 A	2, 6
146D-1P1C-3100	120 VAC	100 ohm DIN	-73 to 600°C	High Limit	Auto Reset	3A Relay	Integral	DIN Rail	LV C6RW -073 0600 A	6
146D-1P1C-3200	120 VAC	100 ohm DIN	-73 to 600°C	High Limit	Auto Reset	3A Relay	Remote	DIN Rail	LV C5RW -073 0600 A	2, 6
146D-1P1C-4100	120 VAC	100 ohm DIN	-73 to 600°C	Low Limit	Auto Reset	3A Relay	Integral	DIN Rail	LV C6RZ -073 0600 A	6
146D-1P1C-4200	120 VAC	100 ohm DIN	-73 to 600°C	Low Limit	Auto Reset	3A Relay	Remote	DIN Rail	LV C5RZ -073 0600 A	2, 6
146D-1P1D-1100	120 VAC	100 ohm DIN	-73 to 600°C	High Limit	Manual Reset	3A Relay	Integral	DIN Rail	LV C6RU -073 0600 A	6, 8
146D-1P1D-1100	120 VAC	100 ohm DIN	-100 to 1112 °F	High Limit	Manual Reset	3A Relay	Integral	DIN Rail	LV C6PU -100 1112 A	6, 8
146D-1P1D-1200	120 VAC	100 ohm DIN	-73 to 600°C	High Limit	Manual Reset	3A Relay	Remote	DIN Rail	LV C5RU -073 0600 A	2, 6, 8
146D-1P1D-1200	120 VAC	100 ohm DIN	-100 to 1112 °F	High Limit	Manual Reset	3A Relay	Remote	DIN Rail	LV C5PU -100 1112 A	2, 6, 8
146D-1P1D-2100	120 VAC	100 ohm DIN	-73 to 600°C	Low Limit	Manual Reset	3A Relay	Integral	DIN Rail	LV C6RY -073 0600 A	6, 8
146D-1P1D-2100	120 VAC	100 ohm DIN	-100 to 1112 °F	Low Limit	Manual Reset	3A Relay	Integral	DIN Rail	LV C6PY -100 1112 A	6, 8
146D-1P1D-2200	120 VAC	100 ohm DIN	-73 to 600°C	Low Limit	Manual Reset	3A Relay	Remote	DIN Rail	LV C5RY -073 0600 A	2, 6, 8
146D-1P1D-2200	120 VAC	100 ohm DIN	-100 to 1112 °F	Low Limit	Manual Reset	3A Relay	Remote	DIN Rail	LV C5PY -100 1112 A	2, 6, 8
146D-1P1D-3100	120 VAC	100 ohm DIN	-73 to 600°C	High Limit	Auto Reset	3A Relay	Integral	DIN Rail	LV C6RW -073 0600 A	6, 8

Series 146

<u>Series 146</u>	Line Voltage	Input	Temp Range	Control Mode	Action	Output	Set Point	Mounting	Retrofit control	See Notes Below
146D-1P1D-3100	120 VAC	100 ohm DIN	-100 to 1112 °F	High Limit	Auto Reset	3A Relay	Integral	DIN Rail	LV C6PW -100 1112 A	6, 8
146D-1P1D-3200	120 VAC	100 ohm DIN	-73 to 600°C	High Limit	Auto Reset	3A Relay	Remote	DIN Rail	LV C5RW -073 0600 A	2, 6, 8
146D-1P1D-3200	120 VAC	100 ohm DIN	-100 to 1112 °F	High Limit	Auto Reset	3A Relay	Remote	DIN Rail	LV C5PW -100 1112 A	2, 6, 8
146D-1P1D-4100	120 VAC	100 ohm DIN	-73 to 600°C	Low Limit	Auto Reset	3A Relay	Integral	DIN Rail	LV C6RZ -073 0600 A	6, 8
146D-1P1D-4100	120 VAC	100 ohm DIN	-100 to 1112 °F	Low Limit	Auto Reset	3A Relay	Integral	DIN Rail	LV C6PZ -100 1112 A	6, 8
146D-1P1D-4200	120 VAC	100 ohm DIN	-73 to 600°C	Low Limit	Auto Reset	3A Relay	Remote	DIN Rail	LV C5RZ -073 0600 A	2, 6, 8
146D-1P1D-4200	120 VAC	100 ohm DIN	-100 to 1112 °F	Low Limit	Auto Reset	3A Relay	Remote	DIN Rail	LV C5PZ -100 1112 A	2, 6, 8
146D-1P1F-1100	120 VAC	100 ohm DIN	-100 to 1112 °F	High Limit	Manual Reset	3A Relay	Integral	DIN Rail	LV C6PU -100 1112 A	6
146D-1P1F-1200	120 VAC	100 ohm DIN	-100 to 1112 °F	High Limit	Manual Reset	3A Relay	Remote	DIN Rail	LV C5PU -100 1112 A	2, 6
146D-1P1F-2100	120 VAC	100 ohm DIN	-100 to 1112 °F	Low Limit	Manual Reset	3A Relay	Integral	DIN Rail	LV C6PY -100 1112 A	6
146D-1P1F-2200	120 VAC	100 ohm DIN	-100 to 1112 °F	Low Limit	Manual Reset	3A Relay	Remote	DIN Rail	LV C5PY -100 1112 A	2, 6
146D-1P1F-3100	120 VAC	100 ohm DIN	-100 to 1112 °F	High Limit	Auto Reset	3A Relay	Integral	DIN Rail	LV C6PW -100 1112 A	6
146D-1P1F-3200	120 VAC	100 ohm DIN	-100 to 1112 °F	High Limit	Auto Reset	3A Relay	Remote	DIN Rail	LV C5PW -100 1112 A	2, 6
146D-1P1F-4100	120 VAC	100 ohm DIN	-100 to 1112 °F	Low Limit	Auto Reset	3A Relay	Integral	DIN Rail	LV C6PZ -100 1112 A	6
146D-1P1F-4200	120 VAC	100 ohm DIN	-100 to 1112 °F	Low Limit	Auto Reset	3A Relay	Remote	DIN Rail	LV C5PZ -100 1112 A	2, 6
146D-1T1C-1100	120 VAC	T t/c	-200 to 350°C	High Limit	Manual Reset	3A Relay	Integral	DIN Rail	LV C6NU -200 0350 A	6
146D-1T1C-1200	120 VAC	T t/c	-200 to 350°C	High Limit	Manual Reset	3A Relay	Remote	DIN Rail	LV C5NU -200 0350 A	2, 6
146D-1T1C-2100	120 VAC	T t/c	-200 to 350°C	Low Limit	Manual Reset	3A Relay	Integral	DIN Rail	LV C6NY -200 0350 A	6
146D-1T1C-2200	120 VAC	T t/c	-200 to 350°C	Low Limit	Manual Reset	3A Relay	Remote	DIN Rail	LV C5NY -200 0350 A	2, 6
146D-1T1C-3100	120 VAC	T t/c	-200 to 350°C	High Limit	Auto Reset	3A Relay	Integral	DIN Rail	LV C6NW -200 0350 A	6
146D-1T1C-3200	120 VAC	T t/c	-200 to 350°C	High Limit	Auto Reset	3A Relay	Remote	DIN Rail	LV C5NW -200 0350 A	2, 6
146D-1T1C-4100	120 VAC	T t/c	-200 to 350°C	Low Limit	Auto Reset	3A Relay	Integral	DIN Rail	LV C6NZ -200 0350 A	6
146D-1T1C-4200	120 VAC	T t/c	-200 to 350°C	Low Limit	Auto Reset	3A Relay	Remote	DIN Rail	LV C5NZ -200 0350 A	2, 6
146D-1T1D-1100	120 VAC	T t/c	-328 to 662°F	High Limit	Manual Reset	3A Relay	Integral	DIN Rail	LV C6MU -328 0662 A	6, 8
146D-1T1D-1100	120 VAC	T t/c	-200 to 350°C	High Limit	Manual Reset	3A Relay	Integral	DIN Rail	LV C6NU -200 0350 A	6, 8
146D-1T1D-1200	120 VAC	T t/c	-328 to 662°F	High Limit	Manual Reset	3A Relay	Remote	DIN Rail	LV C5MU -328 0662 A	2, 6, 8
146D-1T1D-1200	120 VAC	T t/c	-200 to 350°C	High Limit	Manual Reset	3A Relay	Remote	DIN Rail	LV C5NU -200 0350 A	2, 6, 8
146D-1T1D-2100	120 VAC	T t/c	-328 to 662°F	Low Limit	Manual Reset	3A Relay	Integral	DIN Rail	LV C6MY -328 0662 A	6, 8
146D-1T1D-2100	120 VAC	T t/c	-200 to 350°C	Low Limit	Manual Reset	3A Relay	Integral	DIN Rail	LV C6NY -200 0350 A	6, 8
146D-1T1D-2200	120 VAC	T t/c	-328 to 662°F	Low Limit	Manual Reset	3A Relay	Remote	DIN Rail	LV C5MY -328 0662 A	2, 6, 8
146D-1T1D-2200	120 VAC	T t/c	-200 to 350°C	Low Limit	Manual Reset	3A Relay	Remote	DIN Rail	LV C5NY -200 0350 A	2, 6, 8
146D-1T1D-3100	120 VAC	T t/c	-328 to 662°F	High Limit	Auto Reset	3A Relay	Integral	DIN Rail	LV C6MW -328 0662 A	6, 8
146D-1T1D-3100	120 VAC	T t/c	-200 to 350°C	High Limit	Auto Reset	3A Relay	Integral	DIN Rail	LV C6NW -200 0350 A	6, 8
146D-1T1D-3200	120 VAC	T t/c	-328 to 662°F	High Limit	Auto Reset	3A Relay	Remote	DIN Rail	LV C5MW -328 0662 A	2, 6, 8
146D-1T1D-3200	120 VAC	T t/c	-200 to 350°C	High Limit	Auto Reset	3A Relay	Remote	DIN Rail	LV C5NW -200 0350 A	2, 6, 8
146D-1T1D-4100	120 VAC	T t/c	-328 to 662°F	Low Limit	Auto Reset	3A Relay	Integral	DIN Rail	LV C6MZ -328 0662 A	6, 8
146D-1T1D-4100	120 VAC	T t/c	-200 to 350°C	Low Limit	Auto Reset	3A Relay	Integral	DIN Rail	LV C6NZ -200 0350 A	6, 8
146D-1T1D-4200	120 VAC	T t/c	-328 to 662°F	Low Limit	Auto Reset	3A Relay	Remote	DIN Rail	LV C5MZ -328 0662 A	2, 6, 8
146D-1T1D-4200	120 VAC	T t/c	-200 to 350°C	Low Limit	Auto Reset	3A Relay	Remote	DIN Rail	LV C5NZ -200 0350 A	2, 6, 8
146D-1T1F-1100	120 VAC	T t/c	-328 to 662°F	High Limit	Manual Reset	3A Relay	Integral	DIN Rail	LV C6MU -328 0662 A	6
146D-1T1F-1200	120 VAC	T t/c	-328 to 662°F	High Limit	Manual Reset	3A Relay	Remote	DIN Rail	LV C5MU -328 0662 A	2, 6

Series 146

<u>Series 146</u>	Line Voltage	Input	Temp Range	Control Mode	Action	Output	Set Point	Mounting	Retrofit control	See Notes Below
146D-1T1F-2100	120 VAC	T t/c	-328 to 662°F	Low Limit	Manual Reset	3A Relay	Integral	DIN Rail	LV C6MY -328 0662 A	6
146D-1T1F-2200	120 VAC	T t/c	-328 to 662°F	Low Limit	Manual Reset	3A Relay	Remote	DIN Rail	LV C5MY -328 0662 A	2, 6
146D-1T1F-3100	120 VAC	T t/c	-328 to 662°F	High Limit	Auto Reset	3A Relay	Integral	DIN Rail	LV C6MW -328 0662 A	6
146D-1T1F-3200	120 VAC	T t/c	-328 to 662°F	High Limit	Auto Reset	3A Relay	Remote	DIN Rail	LV C5MW -328 0662 A	2, 6
146D-1T1F-4100	120 VAC	T t/c	-328 to 662°F	Low Limit	Auto Reset	3A Relay	Integral	DIN Rail	LV C6MZ -328 0662 A	6
146D-1T1F-4200	120 VAC	T t/c	-328 to 662°F	Low Limit	Auto Reset	3A Relay	Remote	DIN Rail	LV C5MZ -328 0662 A	2, 6
146D-2E1C-1100	230 VAC	E t/c	0 to 799°C	High Limit	Manual Reset	3A Relay	Integral	DIN Rail	LV E6TU 0000 0799 A	6
146D-2E1C-1200	230 VAC	E t/c	0 to 799°C	High Limit	Manual Reset	3A Relay	Remote	DIN Rail	LV E5TU 0000 0799 A	2, 6
146D-2E1C-2100	230 VAC	E t/c	0 to 799°C	Low Limit	Manual Reset	3A Relay	Integral	DIN Rail	LV E6TY 0000 0799 A	6
146D-2E1C-2200	230 VAC	E t/c	0 to 799°C	Low Limit	Manual Reset	3A Relay	Remote	DIN Rail	LV E5TY 0000 0799 A	2, 6
146D-2E1C-3100	230 VAC	E t/c	0 to 799°C	High Limit	Auto Reset	3A Relay	Integral	DIN Rail	LV E6TW 0000 0799 A	6
146D-2E1C-3200	230 VAC	E t/c	0 to 799°C	High Limit	Auto Reset	3A Relay	Remote	DIN Rail	LV E5TW 0000 0799 A	2, 6
146D-2E1C-4100	230 VAC	E t/c	0 to 799°C	Low Limit	Auto Reset	3A Relay	Integral	DIN Rail	LV E6TZ 0000 0799 A	6
146D-2E1C-4200	230 VAC	E t/c	0 to 799°C	Low Limit	Auto Reset	3A Relay	Remote	DIN Rail	LV E5TZ 0000 0799 A	2, 6
146D-2E1D-1100	230 VAC	E t/c	32 to 1470°F	High Limit	Manual Reset	3A Relay	Integral	DIN Rail	LV E6SU 0032 1470 A	6, 8
146D-2E1D-1100	230 VAC	E t/c	0 to 799°C	High Limit	Manual Reset	3A Relay	Integral	DIN Rail	LV E6TU 0000 0799 A	6, 8
146D-2E1D-1200	230 VAC	E t/c	32 to 1470°F	High Limit	Manual Reset	3A Relay	Remote	DIN Rail	LV E5SU 0032 1470 A	2, 6, 8
146D-2E1D-1200	230 VAC	E t/c	0 to 799°C	High Limit	Manual Reset	3A Relay	Remote	DIN Rail	LV E5TU 0000 0799 A	2, 6, 8
146D-2E1D-2100	230 VAC	E t/c	32 to 1470°F	Low Limit	Manual Reset	3A Relay	Integral	DIN Rail	LV E6SY 0032 1470 A	6, 8
146D-2E1D-2100	230 VAC	E t/c	0 to 799°C	Low Limit	Manual Reset	3A Relay	Integral	DIN Rail	LV E6TY 0000 0799 A	6, 8
146D-2E1D-2200	230 VAC	E t/c	32 to 1470°F	Low Limit	Manual Reset	3A Relay	Remote	DIN Rail	LV E5SY 0032 1470 A	2, 6, 8
146D-2E1D-2200	230 VAC	E t/c	0 to 799°C	Low Limit	Manual Reset	3A Relay	Remote	DIN Rail	LV E5TY 0000 0799 A	2, 6, 8
146D-2E1D-3100	230 VAC	E t/c	32 to 1470°F	High Limit	Auto Reset	3A Relay	Integral	DIN Rail	LV E6SW 0032 1470 A	6, 8
146D-2E1D-3100	230 VAC	E t/c	0 to 799°C	High Limit	Auto Reset	3A Relay	Integral	DIN Rail	LV E6TW 0000 0799 A	6, 8
146D-2E1D-3200	230 VAC	E t/c	32 to 1470°F	High Limit	Auto Reset	3A Relay	Remote	DIN Rail	LV E5SW 0032 1470 A	2, 6, 8
146D-2E1D-3200	230 VAC	E t/c	0 to 799°C	High Limit	Auto Reset	3A Relay	Remote	DIN Rail	LV E5TW 0000 0799 A	2, 6, 8
146D-2E1D-4100	230 VAC	E t/c	32 to 1470°F	Low Limit	Auto Reset	3A Relay	Integral	DIN Rail	LV E6SZ 0032 1470 A	6, 8
146D-2E1D-4100	230 VAC	E t/c	0 to 799°C	Low Limit	Auto Reset	3A Relay	Integral	DIN Rail	LV E6TZ 0000 0799 A	6, 8
146D-2E1D-4200	230 VAC	E t/c	32 to 1470°F	Low Limit	Auto Reset	3A Relay	Remote	DIN Rail	LV E5SZ 0032 1470 A	2, 6, 8
146D-2E1D-4200	230 VAC	E t/c	0 to 799°C	Low Limit	Auto Reset	3A Relay	Remote	DIN Rail	LV E5TZ 0000 0799 A	2, 6, 8
146D-2E1F-1100	230 VAC	E t/c	32 to 1470°F	High Limit	Manual Reset	3A Relay	Integral	DIN Rail	LV E6SU 0032 1470 A	6
146D-2E1F-1200	230 VAC	E t/c	32 to 1470°F	High Limit	Manual Reset	3A Relay	Remote	DIN Rail	LV E5SU 0032 1470 A	2, 6
146D-2E1F-2100	230 VAC	E t/c	32 to 1470°F	Low Limit	Manual Reset	3A Relay	Integral	DIN Rail	LV E6SY 0032 1470 A	6
146D-2E1F-2200	230 VAC	E t/c	32 to 1470°F	Low Limit	Manual Reset	3A Relay	Remote	DIN Rail	LV E5SY 0032 1470 A	2, 6
146D-2E1F-3100	230 VAC	E t/c	32 to 1470°F	High Limit	Auto Reset	3A Relay	Integral	DIN Rail	LV E6SW 0032 1470 A	6
146D-2E1F-3200	230 VAC	E t/c	32 to 1470°F	High Limit	Auto Reset	3A Relay	Remote	DIN Rail	LV E5SW 0032 1470 A	2, 6
146D-2E1F-4100	230 VAC	E t/c	32 to 1470°F	Low Limit	Auto Reset	3A Relay	Integral	DIN Rail	LV E6SZ 0032 1470 A	6
146D-2E1F-4200	230 VAC	E t/c	32 to 1470°F	Low Limit	Auto Reset	3A Relay	Remote	DIN Rail	LV E5SZ 0032 1470 A	2, 6
146D-2J1C-1100	230 VAC	J t/c	0 to 315°C	High Limit	Manual Reset	3A Relay	Integral	DIN Rail	LV E6JU 0000 0315 A	6
146D-2J1C-1200	230 VAC	J t/c	0 to 315°C	High Limit	Manual Reset	3A Relay	Remote	DIN Rail	LV E5JU 0000 0315 A	2, 6
146D-2J1C-2100	230 VAC	J t/c	0 to 315°C	Low Limit	Manual Reset	3A Relay	Integral	DIN Rail	LV E6JY 0000 0315 A	6

Series 146

Series 146	Line Voltage	Input	Temp Range	Control Mode	Action	Output	Set Point	Mounting	Retrofit control	See Notes Below
146D-2J1C-2200	230 VAC	J t/c	0 to 315°C	Low Limit	Manual Reset	3A Relay	Remote	DIN Rail	LV E5JY 0000 0315 A	2, 6
146D-2J1C-3100	230 VAC	J t/c	0 to 315°C	High Limit	Auto Reset	3A Relay	Integral	DIN Rail	LV E6JW 0000 0315 A	6
146D-2J1C-3200	230 VAC	J t/c	0 to 315°C	High Limit	Auto Reset	3A Relay	Remote	DIN Rail	LV E5JW 0000 0315 A	2, 6
146D-2J1C-4100	230 VAC	J t/c	0 to 315°C	Low Limit	Auto Reset	3A Relay	Integral	DIN Rail	LV E6JZ 0000 0315 A	6
146D-2J1C-4200	230 VAC	J t/c	0 to 315°C	Low Limit	Auto Reset	3A Relay	Remote	DIN Rail	LV E5JZ 0000 0315 A	2, 6
146D-2J1D-1100	230 VAC	J t/c	32 to 600°F	High Limit	Manual Reset	3A Relay	Integral	DIN Rail	LV E6HU 0032 0600 A	6, 8
146D-2J1D-1100	230 VAC	J t/c	0 to 315°C	High Limit	Manual Reset	3A Relay	Integral	DIN Rail	LV E6JU 0000 0315 A	6, 8
146D-2J1D-1200	230 VAC	J t/c	32 to 600°F	High Limit	Manual Reset	3A Relay	Remote	DIN Rail	LV E5HU 0032 0600 A	2, 6, 8
146D-2J1D-1200	230 VAC	J t/c	0 to 315°C	High Limit	Manual Reset	3A Relay	Remote	DIN Rail	LV E5JU 0000 0315 A	2, 6, 8
146D-2J1D-2100	230 VAC	J t/c	32 to 600°F	Low Limit	Manual Reset	3A Relay	Integral	DIN Rail	LV E6HY 0032 0600 A	6, 8
146D-2J1D-2100	230 VAC	J t/c	0 to 315°C	Low Limit	Manual Reset	3A Relay	Integral	DIN Rail	LV E6JY 0000 0315 A	6, 8
146D-2J1D-2200	230 VAC	J t/c	32 to 600°F	Low Limit	Manual Reset	3A Relay	Remote	DIN Rail	LV E5HY 0032 0600 A	2, 6, 8
146D-2J1D-2200	230 VAC	J t/c	0 to 315°C	Low Limit	Manual Reset	3A Relay	Remote	DIN Rail	LV E5JY 0000 0315 A	2, 6, 8
146D-2J1D-3100	230 VAC	J t/c	32 to 600°F	High Limit	Auto Reset	3A Relay	Integral	DIN Rail	LV E6HW 0032 0600 A	6, 8
146D-2J1D-3100	230 VAC	J t/c	0 to 315°C	High Limit	Auto Reset	3A Relay	Integral	DIN Rail	LV E6JW 0000 0315 A	6, 8
146D-2J1D-3200	230 VAC	J t/c	32 to 600°F	High Limit	Auto Reset	3A Relay	Remote	DIN Rail	LV E5HW 0032 0600 A	2, 6, 8
146D-2J1D-3200	230 VAC	J t/c	0 to 315°C	High Limit	Auto Reset	3A Relay	Remote	DIN Rail	LV E5JW 0000 0315 A	2, 6, 8
146D-2J1D-4100	230 VAC	J t/c	32 to 600°F	Low Limit	Auto Reset	3A Relay	Integral	DIN Rail	LV E6HZ 0032 0600 A	6, 8
146D-2J1D-4100	230 VAC	J t/c	0 to 315°C	Low Limit	Auto Reset	3A Relay	Integral	DIN Rail	LV E6JZ 0000 0315 A	6, 8
146D-2J1D-4200	230 VAC	J t/c	32 to 600°F	Low Limit	Auto Reset	3A Relay	Remote	DIN Rail	LV E5HZ 0032 0600 A	2, 6, 8
146D-2J1D-4200	230 VAC	J t/c	0 to 315°C	Low Limit	Auto Reset	3A Relay	Remote	DIN Rail	LV E5JZ 0000 0315 A	2, 6, 8
146D-2J1F-1100	230 VAC	J t/c	32 to 600°F	High Limit	Manual Reset	3A Relay	Integral	DIN Rail	LV E6HU 0032 0600 A	6
146D-2J1F-1200	230 VAC	J t/c	32 to 600°F	High Limit	Manual Reset	3A Relay	Remote	DIN Rail	LV E5HU 0032 0600 A	2, 6
146D-2J1F-2100	230 VAC	J t/c	32 to 600°F	Low Limit	Manual Reset	3A Relay	Integral	DIN Rail	LV E6HY 0032 0600 A	6
146D-2J1F-2200	230 VAC	J t/c	32 to 600°F	Low Limit	Manual Reset	3A Relay	Remote	DIN Rail	LV E5HY 0032 0600 A	2, 6
146D-2J1F-3100	230 VAC	J t/c	32 to 600°F	High Limit	Auto Reset	3A Relay	Integral	DIN Rail	LV E6HW 0032 0600 A	6
146D-2J1F-3200	230 VAC	J t/c	32 to 600°F	High Limit	Auto Reset	3A Relay	Remote	DIN Rail	LV E5HW 0032 0600 A	2, 6
146D-2J1F-4100	230 VAC	J t/c	32 to 600°F	Low Limit	Auto Reset	3A Relay	Integral	DIN Rail	LV E6HZ 0032 0600 A	6
146D-2J1F-4200	230 VAC	J t/c	32 to 600°F	Low Limit	Auto Reset	3A Relay	Remote	DIN Rail	LV E5HZ 0032 0600 A	2, 6
146D-2J2C-1100	230 VAC	J t/c	0 to 750°C	High Limit	Manual Reset	3A Relay	Integral	DIN Rail	LV E6JU 0000 0750 A	6
146D-2J2C-1200	230 VAC	J t/c	0 to 750°C	High Limit	Manual Reset	3A Relay	Remote	DIN Rail	LV E5JU 0000 0750 A	2, 6
146D-2J2C-2100	230 VAC	J t/c	0 to 750°C	Low Limit	Manual Reset	3A Relay	Integral	DIN Rail	LV E6JY 0000 0750 A	6
146D-2J2C-2200	230 VAC	J t/c	0 to 750°C	Low Limit	Manual Reset	3A Relay	Remote	DIN Rail	LV E5JY 0000 0750 A	2, 6
146D-2J2C-3100	230 VAC	J t/c	0 to 750°C	High Limit	Auto Reset	3A Relay	Integral	DIN Rail	LV E6JW 0000 0750 A	6
146D-2J2C-3200	230 VAC	J t/c	0 to 750°C	High Limit	Auto Reset	3A Relay	Remote	DIN Rail	LV E5JW 0000 0750 A	2, 6
146D-2J2C-4100	230 VAC	J t/c	0 to 750°C	Low Limit	Auto Reset	3A Relay	Integral	DIN Rail	LV E6JZ 0000 0750 A	6
146D-2J2C-4200	230 VAC	J t/c	0 to 750°C	Low Limit	Auto Reset	3A Relay	Remote	DIN Rail	LV E5JZ 0000 0750 A	2, 6
146D-2J2D-1100	230 VAC	J t/c	32 to 1382°F	High Limit	Manual Reset	3A Relay	Integral	DIN Rail	LV E6HU 0032 1382 A	6, 8
146D-2J2D-1100	230 VAC	J t/c	0 to 750°C	High Limit	Manual Reset	3A Relay	Integral	DIN Rail	LV E6JU 0000 0750 A	6, 8
146D-2J2D-1200	230 VAC	J t/c	32 to 1382°F	High Limit	Manual Reset	3A Relay	Remote	DIN Rail	LV E5HU 0032 1382 A	2, 6, 8
146D-2J2D-1200	230 VAC	J t/c	0 to 750°C	High Limit	Manual Reset	3A Relay	Remote	DIN Rail	LV E5JU 0000 0750 A	2, 6, 8

Series 146

Series 146	Line Voltage	Input	Temp Range	Control Mode	Action	Output	Set Point	Mounting	Retrofit control	See Notes Below
146D-2J2D-2100	230 VAC	J t/c	32 to 1382°F	Low Limit	Manual Reset	3A Relay	Integral	DIN Rail	LV E6HY 0032 1382 A	6, 8
146D-2J2D-2100	230 VAC	J t/c	0 to 750°C	Low Limit	Manual Reset	3A Relay	Integral	DIN Rail	LV E6JY 0000 0750 A	6, 8
146D-2J2D-2200	230 VAC	J t/c	32 to 1382°F	Low Limit	Manual Reset	3A Relay	Remote	DIN Rail	LV E5HY 0032 1382 A	2, 6, 8
146D-2J2D-2200	230 VAC	J t/c	0 to 750°C	Low Limit	Manual Reset	3A Relay	Remote	DIN Rail	LV E5JY 0000 0750 A	2, 6, 8
146D-2J2D-3100	230 VAC	J t/c	32 to 1382°F	High Limit	Auto Reset	3A Relay	Integral	DIN Rail	LV E6HW 0032 1382 A	6, 8
146D-2J2D-3100	230 VAC	J t/c	0 to 750°C	High Limit	Auto Reset	3A Relay	Integral	DIN Rail	LV E6JW 0000 0750 A	6, 8
146D-2J2D-3200	230 VAC	J t/c	32 to 1382°F	High Limit	Auto Reset	3A Relay	Remote	DIN Rail	LV E5HW 0032 1382 A	2, 6, 8
146D-2J2D-3200	230 VAC	J t/c	0 to 750°C	High Limit	Auto Reset	3A Relay	Remote	DIN Rail	LV E5JW 0000 0750 A	2, 6, 8
146D-2J2D-4100	230 VAC	J t/c	32 to 1382°F	Low Limit	Auto Reset	3A Relay	Integral	DIN Rail	LV E6HZ 0032 1382 A	6, 8
146D-2J2D-4100	230 VAC	J t/c	0 to 750°C	Low Limit	Auto Reset	3A Relay	Integral	DIN Rail	LV E6JZ 0000 0750 A	6, 8
146D-2J2D-4200	230 VAC	J t/c	32 to 1382°F	Low Limit	Auto Reset	3A Relay	Remote	DIN Rail	LV E5HZ 0032 1382 A	2, 6, 8
146D-2J2D-4200	230 VAC	J t/c	0 to 750°C	Low Limit	Auto Reset	3A Relay	Remote	DIN Rail	LV E5JZ 0000 0750 A	2, 6, 8
146D-2J2F-1100	230 VAC	J t/c	32 to 1382°F	High Limit	Manual Reset	3A Relay	Integral	DIN Rail	LV E6HU 0032 1382 A	6
146D-2J2F-1200	230 VAC	J t/c	32 to 1382°F	High Limit	Manual Reset	3A Relay	Remote	DIN Rail	LV E5HU 0032 1382 A	2, 6
146D-2J2F-2100	230 VAC	J t/c	32 to 1382°F	Low Limit	Manual Reset	3A Relay	Integral	DIN Rail	LV E6HY 0032 1382 A	6
146D-2J2F-2200	230 VAC	J t/c	32 to 1382°F	Low Limit	Manual Reset	3A Relay	Remote	DIN Rail	LV E5HY 0032 1382 A	2, 6
146D-2J2F-3100	230 VAC	J t/c	32 to 1382°F	High Limit	Auto Reset	3A Relay	Integral	DIN Rail	LV E6HW 0032 1382 A	6
146D-2J2F-3200	230 VAC	J t/c	32 to 1382°F	High Limit	Auto Reset	3A Relay	Remote	DIN Rail	LV E5HW 0032 1382 A	2, 6
146D-2J2F-4100	230 VAC	J t/c	32 to 1382°F	Low Limit	Auto Reset	3A Relay	Integral	DIN Rail	LV E6HZ 0032 1382 A	6
146D-2J2F-4200	230 VAC	J t/c	32 to 1382°F	Low Limit	Auto Reset	3A Relay	Remote	DIN Rail	LV E5HZ 0032 1382 A	2, 6
146D-2J3C-1100	230 VAC	J t/c	149 to 427°C	High Limit	Manual Reset	3A Relay	Integral	DIN Rail	LV E6JU 0149 0427 A	6
146D-2J3C-1200	230 VAC	J t/c	149 to 427°C	High Limit	Manual Reset	3A Relay	Remote	DIN Rail	LV E5JU 0149 0427 A	2, 6
146D-2J3C-2100	230 VAC	J t/c	149 to 427°C	Low Limit	Manual Reset	3A Relay	Integral	DIN Rail	LV E6JY 0149 0427 A	6
146D-2J3C-2200	230 VAC	J t/c	149 to 427°C	Low Limit	Manual Reset	3A Relay	Remote	DIN Rail	LV E5JY 0149 0427 A	2, 6
146D-2J3C-3100	230 VAC	J t/c	149 to 427°C	High Limit	Auto Reset	3A Relay	Integral	DIN Rail	LV E6JW 0149 0427 A	6
146D-2J3C-3200	230 VAC	J t/c	149 to 427°C	High Limit	Auto Reset	3A Relay	Remote	DIN Rail	LV E5JW 0149 0427 A	2, 6
146D-2J3C-4100	230 VAC	J t/c	149 to 427°C	Low Limit	Auto Reset	3A Relay	Integral	DIN Rail	LV E6JZ 0149 0427 A	6
146D-2J3C-4200	230 VAC	J t/c	149 to 427°C	Low Limit	Auto Reset	3A Relay	Remote	DIN Rail	LV E5JZ 0149 0427 A	2, 6
146D-2J3D-1100	230 VAC	J t/c	300 to 800°F	High Limit	Manual Reset	3A Relay	Integral	DIN Rail	LV E6HU 0300 0800 A	6, 8
146D-2J3D-1100	230 VAC	J t/c	149 to 427°C	High Limit	Manual Reset	3A Relay	Integral	DIN Rail	LV E6JU 0149 0427 A	6, 8
146D-2J3D-1200	230 VAC	J t/c	300 to 800°F	High Limit	Manual Reset	3A Relay	Remote	DIN Rail	LV E5HU 0300 0800 A	2, 6, 8
146D-2J3D-1200	230 VAC	J t/c	149 to 427°C	High Limit	Manual Reset	3A Relay	Remote	DIN Rail	LV E5JU 0149 0427 A	2, 6, 8
146D-2J3D-2100	230 VAC	J t/c	300 to 800°F	Low Limit	Manual Reset	3A Relay	Integral	DIN Rail	LV E6HY 0300 0800 A	6, 8
146D-2J3D-2100	230 VAC	J t/c	149 to 427°C	Low Limit	Manual Reset	3A Relay	Integral	DIN Rail	LV E6JY 0149 0427 A	6, 8
146D-2J3D-2200	230 VAC	J t/c	300 to 800°F	Low Limit	Manual Reset	3A Relay	Remote	DIN Rail	LV E5HY 0300 0800 A	2, 6, 8
146D-2J3D-2200	230 VAC	J t/c	149 to 427°C	Low Limit	Manual Reset	3A Relay	Remote	DIN Rail	LV E5JY 0149 0427 A	2, 6, 8
146D-2J3D-3100	230 VAC	J t/c	300 to 800°F	High Limit	Auto Reset	3A Relay	Integral	DIN Rail	LV E6HW0300 0800 A	6, 8
146D-2J3D-3100	230 VAC	J t/c	149 to 427°C	High Limit	Auto Reset	3A Relay	Integral	DIN Rail	LV E6JW 0149 0427 A	6, 8
146D-2J3D-3200	230 VAC	J t/c	300 to 800°F	High Limit	Auto Reset	3A Relay	Remote	DIN Rail	LV E5HW 0300 0800 A	2, 6, 8
146D-2J3D-3200	230 VAC	J t/c	149 to 427°C	High Limit	Auto Reset	3A Relay	Remote	DIN Rail	LV E5JW 0149 0427 A	2, 6, 8
146D-2J3D-4100	230 VAC	J t/c	300 to 800°F	Low Limit	Auto Reset	3A Relay	Integral	DIN Rail	LV E6HZ 0300 0800 A	6, 8

Series 146

Series 146	Line Voltage	Input	Temp Range	Control Mode	Action	Output	Set Point	Mounting	Retrofit control	See Notes Below
146D-2J3D-4100	230 VAC	J t/c	149 to 427°C	Low Limit	Auto Reset	3A Relay	Integral	DIN Rail	LV E6JZ 0149 0427 A	6, 8
146D-2J3D-4200	230 VAC	J t/c	300 to 800°F	Low Limit	Auto Reset	3A Relay	Remote	DIN Rail	LV E5HZ 0300 0800 A	2, 6, 8
146D-2J3D-4200	230 VAC	J t/c	149 to 427°C	Low Limit	Auto Reset	3A Relay	Remote	DIN Rail	LV E5JZ 0149 0427 A	2, 6, 8
146D-2J3F-1100	230 VAC	J t/c	300 to 800°F	High Limit	Manual Reset	3A Relay	Integral	DIN Rail	LV E6HU 0300 0800 A	6
146D-2J3F-1200	230 VAC	J t/c	300 to 800°F	High Limit	Manual Reset	3A Relay	Remote	DIN Rail	LV E5HU 0300 0800 A	2, 6
146D-2J3F-2100	230 VAC	J t/c	300 to 800°F	Low Limit	Manual Reset	3A Relay	Integral	DIN Rail	LV E6HY 0300 0800 A	6
146D-2J3F-2200	230 VAC	J t/c	300 to 800°F	Low Limit	Manual Reset	3A Relay	Remote	DIN Rail	LV E5HY 0300 0800 A	2, 6
146D-2J3F-3100	230 VAC	J t/c	300 to 800°F	High Limit	Auto Reset	3A Relay	Integral	DIN Rail	LV E6HW0300 0800 A	6
146D-2J3F-3200	230 VAC	J t/c	300 to 800°F	High Limit	Auto Reset	3A Relay	Remote	DIN Rail	LV E5HW 0300 0800 A	2, 6
146D-2J3F-4100	230 VAC	J t/c	300 to 800°F	Low Limit	Auto Reset	3A Relay	Integral	DIN Rail	LV E6HZ 0300 0800 A	6
146D-2J3F-4200	230 VAC	J t/c	300 to 800°F	Low Limit	Auto Reset	3A Relay	Remote	DIN Rail	LV E5HZ 0300 0800 A	2, 6
146D-2J4C-1100	230 VAC	J t/c	-18 to 93°C	High Limit	Manual Reset	3A Relay	Integral	DIN Rail	LV E6JU -018 0093 A	6
146D-2J4C-1200	230 VAC	J t/c	-18 to 93°C	High Limit	Manual Reset	3A Relay	Remote	DIN Rail	LV E5JU -018 0093 A	2, 6
146D-2J4C-2100	230 VAC	J t/c	-18 to 93°C	Low Limit	Manual Reset	3A Relay	Integral	DIN Rail	LV E6JY -018 0093 A	6
146D-2J4C-2200	230 VAC	J t/c	-18 to 93°C	Low Limit	Manual Reset	3A Relay	Remote	DIN Rail	LV E5JY -018 0093 A	2, 6
146D-2J4C-3100	230 VAC	J t/c	-18 to 93°C	High Limit	Auto Reset	3A Relay	Integral	DIN Rail	LV E6JW -018 0093 A	6
146D-2J4C-3200	230 VAC	J t/c	-18 to 93°C	High Limit	Auto Reset	3A Relay	Remote	DIN Rail	LV E5JW -018 0093 A	2, 6
146D-2J4C-4100	230 VAC	J t/c	-18 to 93°C	Low Limit	Auto Reset	3A Relay	Integral	DIN Rail	LV E6JZ -018 0093 A	6
146D-2J4C-4200	230 VAC	J t/c	-18 to 93°C	Low Limit	Auto Reset	3A Relay	Remote	DIN Rail	LV E5JZ -018 0093 A	2, 6
146D-2J4D-1100	230 VAC	J t/c	0 to 200°F	High Limit	Manual Reset	3A Relay	Integral	DIN Rail	LV E6HU 0000 0200 A	6, 8
146D-2J4D-1100	230 VAC	J t/c	-18 to 93°C	High Limit	Manual Reset	3A Relay	Integral	DIN Rail	LV E6JU -018 0093 A	6, 8
146D-2J4D-1200	230 VAC	J t/c	0 to 200°F	High Limit	Manual Reset	3A Relay	Remote	DIN Rail	LV E5HU 0000 0200 A	2, 6, 8
146D-2J4D-1200	230 VAC	J t/c	-18 to 93°C	High Limit	Manual Reset	3A Relay	Remote	DIN Rail	LV E5JU -018 0093 A	2, 6, 8
146D-2J4D-2100	230 VAC	J t/c	0 to 200°F	Low Limit	Manual Reset	3A Relay	Integral	DIN Rail	LV E6HY 0000 0200 A	6, 8
146D-2J4D-2100	230 VAC	J t/c	-18 to 93°C	Low Limit	Manual Reset	3A Relay	Integral	DIN Rail	LV E6JY -018 0093 A	6, 8
146D-2J4D-2200	230 VAC	J t/c	0 to 200°F	Low Limit	Manual Reset	3A Relay	Remote	DIN Rail	LV E5HY 0000 0200 A	2, 6, 8
146D-2J4D-2200	230 VAC	J t/c	-18 to 93°C	Low Limit	Manual Reset	3A Relay	Remote	DIN Rail	LV E5JY -018 0093 A	2, 6, 8
146D-2J4D-3100	230 VAC	J t/c	0 to 200°F	High Limit	Auto Reset	3A Relay	Integral	DIN Rail	LV E6HW 0000 0200 A	6, 8
146D-2J4D-3100	230 VAC	J t/c	-18 to 93°C	High Limit	Auto Reset	3A Relay	Integral	DIN Rail	LV E6JW -018 0093 A	6, 8
146D-2J4D-3200	230 VAC	J t/c	0 to 200°F	High Limit	Auto Reset	3A Relay	Remote	DIN Rail	LV E5HW 0000 0200 A	2, 6, 8
146D-2J4D-3200	230 VAC	J t/c	-18 to 93°C	High Limit	Auto Reset	3A Relay	Remote	DIN Rail	LV E5JW -018 0093 A	2, 6, 8
146D-2J4D-4100	230 VAC	J t/c	0 to 200°F	Low Limit	Auto Reset	3A Relay	Integral	DIN Rail	LV E6HZ 0000 0200 A	6, 8
146D-2J4D-4100	230 VAC	J t/c	-18 to 93°C	Low Limit	Auto Reset	3A Relay	Integral	DIN Rail	LV E6JZ -018 0093 A	6, 8
146D-2J4D-4200	230 VAC	J t/c	0 to 200°F	Low Limit	Auto Reset	3A Relay	Remote	DIN Rail	LV E5HZ 0000 0200 A	2, 6, 8
146D-2J4D-4200	230 VAC	J t/c	-18 to 93°C	Low Limit	Auto Reset	3A Relay	Remote	DIN Rail	LV E5JZ -018 0093 A	2, 6, 8
146D-2J4F-1100	230 VAC	J t/c	0 to 200°F	High Limit	Manual Reset	3A Relay	Integral	DIN Rail	LV E6HU 0000 0200 A	6
146D-2J4F-1200	230 VAC	J t/c	0 to 200°F	High Limit	Manual Reset	3A Relay	Remote	DIN Rail	LV E5HU 0000 0200 A	2, 6
146D-2J4F-2100	230 VAC	J t/c	0 to 200°F	Low Limit	Manual Reset	3A Relay	Integral	DIN Rail	LV E6HY 0000 0200 A	6
146D-2J4F-2200	230 VAC	J t/c	0 to 200°F	Low Limit	Manual Reset	3A Relay	Remote	DIN Rail	LV E5HY 0000 0200 A	2, 6
146D-2J4F-3100	230 VAC	J t/c	0 to 200°F	High Limit	Auto Reset	3A Relay	Integral	DIN Rail	LV E6HW 0000 0200 A	6
146D-2J4F-3200	230 VAC	J t/c	0 to 200°F	High Limit	Auto Reset	3A Relay	Remote	DIN Rail	LV E5HW 0000 0200 A	2, 6

Series 146

Series 146	Line Voltage	Input	Temp Range	Control Mode	Action	Output	Set Point	Mounting	Retrofit control	See Notes Below
146D-2J4F-4100	230 VAC	J t/c	0 to 200°F	Low Limit	Auto Reset	3A Relay	Integral	DIN Rail	LV E6HZ 0000 0200 A	6
146D-2J4F-4200	230 VAC	J t/c	0 to 200°F	Low Limit	Auto Reset	3A Relay	Remote	DIN Rail	LV E5HZ 0000 0200 A	2, 6
146D-2J5C-1100	230 VAC	J t/c	43 to 54°C	High Limit	Manual Reset	3A Relay	Integral	DIN Rail	LV E6JU 0043 0054 A	6
146D-2J5C-1200	230 VAC	J t/c	43 to 54°C	High Limit	Manual Reset	3A Relay	Remote	DIN Rail	LV E5JU 0043 0054 A	2, 6
146D-2J5C-2100	230 VAC	J t/c	43 to 54°C	Low Limit	Manual Reset	3A Relay	Integral	DIN Rail	LV E6JY 0043 0054 A	6
146D-2J5C-2200	230 VAC	J t/c	43 to 54°C	Low Limit	Manual Reset	3A Relay	Remote	DIN Rail	LV E5JY 0043 0054 A	2, 6
146D-2J5C-3100	230 VAC	J t/c	43 to 54°C	High Limit	Auto Reset	3A Relay	Integral	DIN Rail	LV E6JW 0043 0054 A	6
146D-2J5C-3200	230 VAC	J t/c	43 to 54°C	High Limit	Auto Reset	3A Relay	Remote	DIN Rail	LV E5JW 0043 0054 A	2, 6
146D-2J5C-4100	230 VAC	J t/c	43 to 54°C	Low Limit	Auto Reset	3A Relay	Integral	DIN Rail	LV E6JZ 0043 0054 A	6
146D-2J5C-4200	230 VAC	J t/c	43 to 54°C	Low Limit	Auto Reset	3A Relay	Remote	DIN Rail	LV E5JZ 0043 0054 A	2, 6
146D-2J5D-1100	230 VAC	J t/c	110 to 130°F	High Limit	Manual Reset	3A Relay	Integral	DIN Rail	LV E6HU 0110 0130 A	6, 8
146D-2J5D-1100	230 VAC	J t/c	43 to 54°C	High Limit	Manual Reset	3A Relay	Integral	DIN Rail	LV E6JU 0043 0054 A	6, 8
146D-2J5D-1200	230 VAC	J t/c	110 to 130°F	High Limit	Manual Reset	3A Relay	Remote	DIN Rail	LV E5HU 0110 0130 A	2, 6, 8
146D-2J5D-1200	230 VAC	J t/c	43 to 54°C	High Limit	Manual Reset	3A Relay	Remote	DIN Rail	LV E5JU 0043 0054 A	2, 6, 8
146D-2J5D-2100	230 VAC	J t/c	110 to 130°F	Low Limit	Manual Reset	3A Relay	Integral	DIN Rail	LV E6HY 0110 0130 A	6, 8
146D-2J5D-2100	230 VAC	J t/c	43 to 54°C	Low Limit	Manual Reset	3A Relay	Integral	DIN Rail	LV E6JY 0043 0054 A	6, 8
146D-2J5D-2200	230 VAC	J t/c	110 to 130°F	Low Limit	Manual Reset	3A Relay	Remote	DIN Rail	LV E5HY 0110 0130 A	2, 6, 8
146D-2J5D-2200	230 VAC	J t/c	43 to 54°C	Low Limit	Manual Reset	3A Relay	Remote	DIN Rail	LV E5JY 0043 0054 A	2, 6, 8
146D-2J5D-3100	230 VAC	J t/c	110 to 130°F	High Limit	Auto Reset	3A Relay	Integral	DIN Rail	LV E6HW 0110 0130 A	6, 8
146D-2J5D-3100	230 VAC	J t/c	43 to 54°C	High Limit	Auto Reset	3A Relay	Integral	DIN Rail	LV E6JW 0043 0054 A	6, 8
146D-2J5D-3200	230 VAC	J t/c	110 to 130°F	High Limit	Auto Reset	3A Relay	Remote	DIN Rail	LV E5HW 0110 0130 A	2, 6, 8
146D-2J5D-3200	230 VAC	J t/c	43 to 54°C	High Limit	Auto Reset	3A Relay	Remote	DIN Rail	LV E5JW 0043 0054 A	2, 6, 8
146D-2J5D-4100	230 VAC	J t/c	110 to 130°F	Low Limit	Auto Reset	3A Relay	Integral	DIN Rail	LV E6HZ 0110 0130 A	6, 8
146D-2J5D-4100	230 VAC	J t/c	43 to 54°C	Low Limit	Auto Reset	3A Relay	Integral	DIN Rail	LV E6JZ 0043 0054 A	6, 8
146D-2J5D-4200	230 VAC	J t/c	110 to 130°F	Low Limit	Auto Reset	3A Relay	Remote	DIN Rail	LV E5HZ 0110 0130 A	2, 6, 8
146D-2J5D-4200	230 VAC	J t/c	43 to 54°C	Low Limit	Auto Reset	3A Relay	Remote	DIN Rail	LV E5JZ 0043 0054 A	2, 6, 8
146D-2J5F-1100	230 VAC	J t/c	110 to 130°F	High Limit	Manual Reset	3A Relay	Integral	DIN Rail	LV E6HU 0110 0130 A	6
146D-2J5F-1200	230 VAC	J t/c	110 to 130°F	High Limit	Manual Reset	3A Relay	Remote	DIN Rail	LV E5HU 0110 0130 A	2, 6
146D-2J5F-2100	230 VAC	J t/c	110 to 130°F	Low Limit	Manual Reset	3A Relay	Integral	DIN Rail	LV E6HY 0110 0130 A	6
146D-2J5F-2200	230 VAC	J t/c	110 to 130°F	Low Limit	Manual Reset	3A Relay	Remote	DIN Rail	LV E5HY 0110 0130 A	2, 6
146D-2J5F-3100	230 VAC	J t/c	110 to 130°F	High Limit	Auto Reset	3A Relay	Integral	DIN Rail	LV E6HW 0110 0130 A	6
146D-2J5F-3200	230 VAC	J t/c	110 to 130°F	High Limit	Auto Reset	3A Relay	Remote	DIN Rail	LV E5HW 0110 0130 A	2, 6
146D-2J5F-4100	230 VAC	J t/c	110 to 130°F	Low Limit	Auto Reset	3A Relay	Integral	DIN Rail	LV E6HZ 0110 0130 A	6
146D-2J5F-4200	230 VAC	J t/c	110 to 130°F	Low Limit	Auto Reset	3A Relay	Remote	DIN Rail	LV E5HZ 0110 0130 A	2, 6
146D-2K1C-1100	230 VAC	K t/c	0 to 1250°C	High Limit	Manual Reset	3A Relay	Integral	DIN Rail	LV E6LU 0000 1250 A	6
146D-2K1C-1200	230 VAC	K t/c	0 to 1250°C	High Limit	Manual Reset	3A Relay	Remote	DIN Rail	LV E5LU 0000 1250 A	2, 6
146D-2K1C-2100	230 VAC	K t/c	0 to 1250°C	Low Limit	Manual Reset	3A Relay	Integral	DIN Rail	LV E6LY 0000 1250 A	6
146D-2K1C-2200	230 VAC	K t/c	0 to 1250°C	Low Limit	Manual Reset	3A Relay	Remote	DIN Rail	LV E5LY 0000 1250 A	2, 6
146D-2K1C-3100	230 VAC	K t/c	0 to 1250°C	High Limit	Auto Reset	3A Relay	Integral	DIN Rail	LV E6LW 0000 1250 A	6
146D-2K1C-3200	230 VAC	K t/c	0 to 1250°C	High Limit	Auto Reset	3A Relay	Remote	DIN Rail	LV E5LW 0000 1250 A	2, 6
146D-2K1C-4100	230 VAC	K t/c	0 to 1250°C	Low Limit	Auto Reset	3A Relay	Integral	DIN Rail	LV E6LZ 0000 1250 A	6

Series 146

Series 146	Line Voltage	Input	Temp Range	Control Mode	Action	Output	Set Point	Mounting	Retrofit control	See Notes Below
146D-2K1C-4200	230 VAC	K t/c	0 to 1250°C	Low Limit	Auto Reset	3A Relay	Remote	DIN Rail	LV E5LZ 0000 1250 A	2, 6
146D-2K1D-1100	230 VAC	K t/c	32 to 2282°F	High Limit	Manual Reset	3A Relay	Integral	DIN Rail	LV E6KU 0032 2282 A	6, 8
146D-2K1D-1100	230 VAC	K t/c	0 to 1250°C	High Limit	Manual Reset	3A Relay	Integral	DIN Rail	LV E6LU 0000 1250 A	6, 8
146D-2K1D-1200	230 VAC	K t/c	32 to 2282°F	High Limit	Manual Reset	3A Relay	Remote	DIN Rail	LV E5KU 0032 2282 A	2, 6, 8
146D-2K1D-1200	230 VAC	K t/c	0 to 1250°C	High Limit	Manual Reset	3A Relay	Remote	DIN Rail	LV E5LU 0000 1250 A	2, 6, 8
146D-2K1D-2100	230 VAC	K t/c	32 to 2282°F	Low Limit	Manual Reset	3A Relay	Integral	DIN Rail	LV E6KY 0032 2282 A	6, 8
146D-2K1D-2100	230 VAC	K t/c	0 to 1250°C	Low Limit	Manual Reset	3A Relay	Integral	DIN Rail	LV E6LY 0000 1250 A	6, 8
146D-2K1D-2200	230 VAC	K t/c	32 to 2282°F	Low Limit	Manual Reset	3A Relay	Remote	DIN Rail	LV E5KY 0032 2282 A	2, 6, 8
146D-2K1D-2200	230 VAC	K t/c	0 to 1250°C	Low Limit	Manual Reset	3A Relay	Remote	DIN Rail	LV E5LY 0000 1250 A	2, 6, 8
146D-2K1D-3100	230 VAC	K t/c	32 to 2282°F	High Limit	Auto Reset	3A Relay	Integral	DIN Rail	LV E6KW 0032 2282 A	6, 8
146D-2K1D-3100	230 VAC	K t/c	0 to 1250°C	High Limit	Auto Reset	3A Relay	Integral	DIN Rail	LV E6LW 0000 1250 A	6, 8
146D-2K1D-3200	230 VAC	K t/c	32 to 2282°F	High Limit	Auto Reset	3A Relay	Remote	DIN Rail	LV E5KW 0032 2282 A	2, 6, 8
146D-2K1D-3200	230 VAC	K t/c	0 to 1250°C	High Limit	Auto Reset	3A Relay	Remote	DIN Rail	LV E5LW 0000 1250 A	2, 6, 8
146D-2K1D-4100	230 VAC	K t/c	32 to 2282°F	Low Limit	Auto Reset	3A Relay	Integral	DIN Rail	LV E6KZ 0032 2282 A	6, 8
146D-2K1D-4100	230 VAC	K t/c	0 to 1250°C	Low Limit	Auto Reset	3A Relay	Integral	DIN Rail	LV E6LZ 0000 1250 A	6, 8
146D-2K1D-4200	230 VAC	K t/c	32 to 2282°F	Low Limit	Auto Reset	3A Relay	Remote	DIN Rail	LV E5KZ 0032 2282 A	2, 6, 8
146D-2K1D-4200	230 VAC	K t/c	0 to 1250°C	Low Limit	Auto Reset	3A Relay	Remote	DIN Rail	LV E5LZ 0000 1250 A	2, 6, 8
146D-2K1F-1100	230 VAC	K t/c	32 to 2282°F	High Limit	Manual Reset	3A Relay	Integral	DIN Rail	LV E6KU 0032 2282 A	6
146D-2K1F-1200	230 VAC	K t/c	32 to 2282°F	High Limit	Manual Reset	3A Relay	Remote	DIN Rail	LV E5KU 0032 2282 A	2, 6
146D-2K1F-2100	230 VAC	K t/c	32 to 2282°F	Low Limit	Manual Reset	3A Relay	Integral	DIN Rail	LV E6KY 0032 2282 A	6
146D-2K1F-2200	230 VAC	K t/c	32 to 2282°F	Low Limit	Manual Reset	3A Relay	Remote	DIN Rail	LV E5KY 0032 2282 A	2, 6
146D-2K1F-3100	230 VAC	K t/c	32 to 2282°F	High Limit	Auto Reset	3A Relay	Integral	DIN Rail	LV E6KW 0032 2282 A	6
146D-2K1F-3200	230 VAC	K t/c	32 to 2282°F	High Limit	Auto Reset	3A Relay	Remote	DIN Rail	LV E5KW 0032 2282 A	2, 6
146D-2K1F-4100	230 VAC	K t/c	32 to 2282°F	Low Limit	Auto Reset	3A Relay	Integral	DIN Rail	LV E6KZ 0032 2282 A	6
146D-2K1F-4200	230 VAC	K t/c	32 to 2282°F	Low Limit	Auto Reset	3A Relay	Remote	DIN Rail	LV E5KZ 0032 2282 A	2, 6
146D-2K2C-1100	230 VAC	K t/c	16 to 149°C	High Limit	Manual Reset	3A Relay	Integral	DIN Rail	LV E6LU 0016 0149 A	6
146D-2K2C-1200	230 VAC	K t/c	16 to 149°C	High Limit	Manual Reset	3A Relay	Remote	DIN Rail	LV E5LU 0016 0149 A	2, 6
146D-2K2C-2100	230 VAC	K t/c	16 to 149°C	Low Limit	Manual Reset	3A Relay	Integral	DIN Rail	LV E6LY 0016 0149 A	6
146D-2K2C-2200	230 VAC	K t/c	16 to 149°C	Low Limit	Manual Reset	3A Relay	Remote	DIN Rail	LV E5LY 0016 0149 A	2, 6
146D-2K2C-3100	230 VAC	K t/c	16 to 149°C	High Limit	Auto Reset	3A Relay	Integral	DIN Rail	LV E6LW 0016 0149 A	6
146D-2K2C-3200	230 VAC	K t/c	16 to 149°C	High Limit	Auto Reset	3A Relay	Remote	DIN Rail	LV E5LW 0016 0149 A	2, 6
146D-2K2C-4100	230 VAC	K t/c	16 to 149°C	Low Limit	Auto Reset	3A Relay	Integral	DIN Rail	LV E6LZ 0016 0149 A	6
146D-2K2C-4200	230 VAC	K t/c	16 to 149°C	Low Limit	Auto Reset	3A Relay	Remote	DIN Rail	LV E5LZ 0016 0149 A	2, 6
146D-2K2D-1100	230 VAC	K t/c	60 to 300°F	High Limit	Manual Reset	3A Relay	Integral	DIN Rail	LV E6KU 0060 0300 A	6, 8
146D-2K2D-1100	230 VAC	K t/c	16 to 149°C	High Limit	Manual Reset	3A Relay	Integral	DIN Rail	LV E6LU 0016 0149 A	6, 8
146D-2K2D-1200	230 VAC	K t/c	60 to 300°F	High Limit	Manual Reset	3A Relay	Remote	DIN Rail	LV E5KU 0060 0300 A	2, 6, 8
146D-2K2D-1200	230 VAC	K t/c	16 to 149°C	High Limit	Manual Reset	3A Relay	Remote	DIN Rail	LV E5LU 0016 0149 A	2, 6, 8
146D-2K2D-2100	230 VAC	K t/c	60 to 300°F	Low Limit	Manual Reset	3A Relay	Integral	DIN Rail	LV E6KY 0060 0300 A	6, 8
146D-2K2D-2100	230 VAC	K t/c	16 to 149°C	Low Limit	Manual Reset	3A Relay	Integral	DIN Rail	LV E6LY 0016 0149 A	6, 8
146D-2K2D-2200	230 VAC	K t/c	60 to 300°F	Low Limit	Manual Reset	3A Relay	Remote	DIN Rail	LV E5KY 0060 0300 A	2, 6, 8
146D-2K2D-2200	230 VAC	K t/c	16 to 149°C	Low Limit	Manual Reset	3A Relay	Remote	DIN Rail	LV E5LY 0016 0149 A	2, 6, 8

Series 146

Series 146	Line Voltage	Input	Temp Range	Control Mode	Action	Output	Set Point	Mounting	Retrofit control	See Notes Below
146D-2K2D-3100	230 VAC	K t/c	60 to 300°F	High Limit	Auto Reset	3A Relay	Integral	DIN Rail	LV E6KW 0060 0300 A	6, 8
146D-2K2D-3100	230 VAC	K t/c	16 to 149°C	High Limit	Auto Reset	3A Relay	Integral	DIN Rail	LV E6LW 0016 0149 A	6, 8
146D-2K2D-3200	230 VAC	K t/c	60 to 300°F	High Limit	Auto Reset	3A Relay	Remote	DIN Rail	LV E5KW 0060 0300 A	2, 6, 8
146D-2K2D-3200	230 VAC	K t/c	16 to 149°C	High Limit	Auto Reset	3A Relay	Remote	DIN Rail	LV E5LW 0016 0149 A	2, 6, 8
146D-2K2D-4100	230 VAC	K t/c	60 to 300°F	Low Limit	Auto Reset	3A Relay	Integral	DIN Rail	LV E6KZ 0060 0300 A	6, 8
146D-2K2D-4100	230 VAC	K t/c	16 to 149°C	Low Limit	Auto Reset	3A Relay	Integral	DIN Rail	LV E6LZ 0016 0149 A	6, 8
146D-2K2D-4200	230 VAC	K t/c	60 to 300°F	Low Limit	Auto Reset	3A Relay	Remote	DIN Rail	LV E5KZ 0060 0300 A	2, 6, 8
146D-2K2D-4200	230 VAC	K t/c	16 to 149°C	Low Limit	Auto Reset	3A Relay	Remote	DIN Rail	LV E5LZ 0016 0149 A	2, 6, 8
146D-2K2F-1100	230 VAC	K t/c	60 to 300°F	High Limit	Manual Reset	3A Relay	Integral	DIN Rail	LV E6KU 0060 0300 A	6
146D-2K2F-1200	230 VAC	K t/c	60 to 300°F	High Limit	Manual Reset	3A Relay	Remote	DIN Rail	LV E5KU 0060 0300 A	2, 6
146D-2K2F-2100	230 VAC	K t/c	60 to 300°F	Low Limit	Manual Reset	3A Relay	Integral	DIN Rail	LV E6KY 0060 0300 A	6
146D-2K2F-2200	230 VAC	K t/c	60 to 300°F	Low Limit	Manual Reset	3A Relay	Remote	DIN Rail	LV E5KY 0060 0300 A	2, 6
146D-2K2F-3100	230 VAC	K t/c	60 to 300°F	High Limit	Auto Reset	3A Relay	Integral	DIN Rail	LV E6KW 0060 0300 A	6
146D-2K2F-3200	230 VAC	K t/c	60 to 300°F	High Limit	Auto Reset	3A Relay	Remote	DIN Rail	LV E5KW 0060 0300 A	2, 6
146D-2K2F-4100	230 VAC	K t/c	60 to 300°F	Low Limit	Auto Reset	3A Relay	Integral	DIN Rail	LV E6KZ 0060 0300 A	6
146D-2K2F-4200	230 VAC	K t/c	60 to 300°F	Low Limit	Auto Reset	3A Relay	Remote	DIN Rail	LV E5KZ 0060 0300 A	2, 6
146D-2K3C-1100	230 VAC	K t/c	0 to 600°C	High Limit	Manual Reset	3A Relay	Integral	DIN Rail	LV E6LU 0000 0600 A	6
146D-2K3C-1200	230 VAC	K t/c	0 to 600°C	High Limit	Manual Reset	3A Relay	Remote	DIN Rail	LV E5LU 0000 0600 A	2, 6
146D-2K3C-2100	230 VAC	K t/c	0 to 600°C	Low Limit	Manual Reset	3A Relay	Integral	DIN Rail	LV E6LY 0000 0600 A	6
146D-2K3C-2200	230 VAC	K t/c	0 to 600°C	Low Limit	Manual Reset	3A Relay	Remote	DIN Rail	LV E5LY 0000 0600 A	2, 6
146D-2K3C-3100	230 VAC	K t/c	0 to 600°C	High Limit	Auto Reset	3A Relay	Integral	DIN Rail	LV E6LW 0000 0600 A	6
146D-2K3C-3200	230 VAC	K t/c	0 to 600°C	High Limit	Auto Reset	3A Relay	Remote	DIN Rail	LV E5LW 0000 0600 A	2, 6
146D-2K3C-4100	230 VAC	K t/c	0 to 600°C	Low Limit	Auto Reset	3A Relay	Integral	DIN Rail	LV E6LZ 0000 0600 A	6
146D-2K3C-4200	230 VAC	K t/c	0 to 600°C	Low Limit	Auto Reset	3A Relay	Remote	DIN Rail	LV E5LZ 0000 0600 A	2, 6
146D-2K3D-1100	230 VAC	K t/c	32 to 1112°F	High Limit	Manual Reset	3A Relay	Integral	DIN Rail	LV E6KU 0032 1112 A	6, 8
146D-2K3D-1100	230 VAC	K t/c	0 to 600°C	High Limit	Manual Reset	3A Relay	Integral	DIN Rail	LV E6LU 0000 0600 A	6, 8
146D-2K3D-1200	230 VAC	K t/c	32 to 1112°F	High Limit	Manual Reset	3A Relay	Remote	DIN Rail	LV E5KU 0032 1112 A	2, 6, 8
146D-2K3D-1200	230 VAC	K t/c	0 to 600°C	High Limit	Manual Reset	3A Relay	Remote	DIN Rail	LV E5LU 0000 0600 A	2, 6, 8
146D-2K3D-2100	230 VAC	K t/c	32 to 1112°F	Low Limit	Manual Reset	3A Relay	Integral	DIN Rail	LV E6KY 0032 1112 A	6, 8
146D-2K3D-2100	230 VAC	K t/c	0 to 600°C	Low Limit	Manual Reset	3A Relay	Integral	DIN Rail	LV E6LY 0000 0600 A	6, 8
146D-2K3D-2200	230 VAC	K t/c	32 to 1112°F	Low Limit	Manual Reset	3A Relay	Remote	DIN Rail	LV E5KY 0032 1112 A	2, 6, 8
146D-2K3D-2200	230 VAC	K t/c	0 to 600°C	Low Limit	Manual Reset	3A Relay	Remote	DIN Rail	LV E5LY 0000 0600 A	2, 6, 8
146D-2K3D-3100	230 VAC	K t/c	32 to 1112°F	High Limit	Auto Reset	3A Relay	Integral	DIN Rail	LV E6KW 0032 1112 A	6, 8
146D-2K3D-3100	230 VAC	K t/c	0 to 600°C	High Limit	Auto Reset	3A Relay	Integral	DIN Rail	LV E6LW 0000 0600 A	6, 8
146D-2K3D-3200	230 VAC	K t/c	32 to 1112°F	High Limit	Auto Reset	3A Relay	Remote	DIN Rail	LV E5KW 0032 1112 A	2, 6, 8
146D-2K3D-3200	230 VAC	K t/c	0 to 600°C	High Limit	Auto Reset	3A Relay	Remote	DIN Rail	LV E5LW 0000 0600 A	2, 6, 8
146D-2K3D-4100	230 VAC	K t/c	32 to 1112°F	Low Limit	Auto Reset	3A Relay	Integral	DIN Rail	LV E6KZ 0032 1112 A	6, 8
146D-2K3D-4100	230 VAC	K t/c	0 to 600°C	Low Limit	Auto Reset	3A Relay	Integral	DIN Rail	LV E6LZ 0000 0600 A	6, 8
146D-2K3D-4200	230 VAC	K t/c	32 to 1112°F	Low Limit	Auto Reset	3A Relay	Remote	DIN Rail	LV E5KZ 0032 1112 A	2, 6, 8
146D-2K3D-4200	230 VAC	K t/c	0 to 600°C	Low Limit	Auto Reset	3A Relay	Remote	DIN Rail	LV E5LZ 0000 0600 A	2, 6, 8
146D-2K3F-1100	230 VAC	K t/c	32 to 1112°F	High Limit	Manual Reset	3A Relay	Integral	DIN Rail	LV E6KU 0032 1112 A	6

Series 146

<u>Series 146</u>	Line Voltage	Input	Temp Range	Control Mode	Action	Output	Set Point	Mounting	Retrofit control	See Notes Below
146D-2K3F-1200	230 VAC	K t/c	32 to 1112°F	High Limit	Manual Reset	3A Relay	Remote	DIN Rail	LV E5KU 0032 1112 A	2, 6
146D-2K3F-2100	230 VAC	K t/c	32 to 1112°F	Low Limit	Manual Reset	3A Relay	Integral	DIN Rail	LV E6KY 0032 1112 A	6
146D-2K3F-2200	230 VAC	K t/c	32 to 1112°F	Low Limit	Manual Reset	3A Relay	Remote	DIN Rail	LV E5KY 0032 1112 A	2, 6
146D-2K3F-3100	230 VAC	K t/c	32 to 1112°F	High Limit	Auto Reset	3A Relay	Integral	DIN Rail	LV E6KW 0032 1112 A	6
146D-2K3F-3200	230 VAC	K t/c	32 to 1112°F	High Limit	Auto Reset	3A Relay	Remote	DIN Rail	LV E5KW 0032 1112 A	2, 6
146D-2K3F-4100	230 VAC	K t/c	32 to 1112°F	Low Limit	Auto Reset	3A Relay	Integral	DIN Rail	LV E6KZ 0032 1112 A	6
146D-2K3F-4200	230 VAC	K t/c	32 to 1112°F	Low Limit	Auto Reset	3A Relay	Remote	DIN Rail	LV E5KZ 0032 1112 A	2, 6
146D-2K4C-1100	230 VAC	K t/c	0 to 66°C	High Limit	Manual Reset	3A Relay	Integral	DIN Rail	LV E6LU 0000 0066 A	6
146D-2K4C-1200	230 VAC	K t/c	0 to 66°C	High Limit	Manual Reset	3A Relay	Remote	DIN Rail	LV E5LU 0000 0066 A	2, 6
146D-2K4C-2100	230 VAC	K t/c	0 to 66°C	Low Limit	Manual Reset	3A Relay	Integral	DIN Rail	LV E6LY 0000 0066 A	6
146D-2K4C-2200	230 VAC	K t/c	0 to 66°C	Low Limit	Manual Reset	3A Relay	Remote	DIN Rail	LV E5LY 0000 0066 A	2, 6
146D-2K4C-3100	230 VAC	K t/c	0 to 66°C	High Limit	Auto Reset	3A Relay	Integral	DIN Rail	LV E6LW 0000 0066 A	6
146D-2K4C-3200	230 VAC	K t/c	0 to 66°C	High Limit	Auto Reset	3A Relay	Remote	DIN Rail	LV E5LW 0000 0066 A	2, 6
146D-2K4C-4100	230 VAC	K t/c	0 to 66°C	Low Limit	Auto Reset	3A Relay	Integral	DIN Rail	LV E6LZ 0000 0066 A	6
146D-2K4C-4200	230 VAC	K t/c	0 to 66°C	Low Limit	Auto Reset	3A Relay	Remote	DIN Rail	LV E5LZ 0000 0066 A	2, 6
146D-2K4D-1100	230 VAC	K t/c	32 to 150°F	High Limit	Manual Reset	3A Relay	Integral	DIN Rail	LV E6KU 0032 0150 A	6, 8
146D-2K4D-1100	230 VAC	K t/c	0 to 66°C	High Limit	Manual Reset	3A Relay	Integral	DIN Rail	LV E6LU 0000 0066 A	6, 8
146D-2K4D-1200	230 VAC	K t/c	32 to 150°F	High Limit	Manual Reset	3A Relay	Remote	DIN Rail	LV E5KU 0032 0150 A	2, 6, 8
146D-2K4D-1200	230 VAC	K t/c	0 to 66°C	High Limit	Manual Reset	3A Relay	Remote	DIN Rail	LV E5LU 0000 0066 A	2, 6, 8
146D-2K4D-2100	230 VAC	K t/c	32 to 150°F	Low Limit	Manual Reset	3A Relay	Integral	DIN Rail	LV E6KY 0032 0150 A	6, 8
146D-2K4D-2100	230 VAC	K t/c	0 to 66°C	Low Limit	Manual Reset	3A Relay	Integral	DIN Rail	LV E6LY 0000 0066 A	6, 8
146D-2K4D-2200	230 VAC	K t/c	32 to 150°F	Low Limit	Manual Reset	3A Relay	Remote	DIN Rail	LV E5KY 0032 0150 A	2, 6, 8
146D-2K4D-2200	230 VAC	K t/c	0 to 66°C	Low Limit	Manual Reset	3A Relay	Remote	DIN Rail	LV E5LY 0000 0066 A	2, 6, 8
146D-2K4D-3100	230 VAC	K t/c	32 to 150°F	High Limit	Auto Reset	3A Relay	Integral	DIN Rail	LV E6KW 0032 0150 A	6, 8
146D-2K4D-3100	230 VAC	K t/c	0 to 66°C	High Limit	Auto Reset	3A Relay	Integral	DIN Rail	LV E6LW 0000 0066 A	6, 8
146D-2K4D-3200	230 VAC	K t/c	32 to 150°F	High Limit	Auto Reset	3A Relay	Remote	DIN Rail	LV E5KW 0032 0150 A	2, 6, 8
146D-2K4D-3200	230 VAC	K t/c	0 to 66°C	High Limit	Auto Reset	3A Relay	Remote	DIN Rail	LV E5LW 0000 0066 A	2, 6, 8
146D-2K4D-4100	230 VAC	K t/c	32 to 150°F	Low Limit	Auto Reset	3A Relay	Integral	DIN Rail	LV E6KZ 0032 0150 A	6, 8
146D-2K4D-4100	230 VAC	K t/c	0 to 66°C	Low Limit	Auto Reset	3A Relay	Integral	DIN Rail	LV E6LZ 0000 0066 A	6, 8
146D-2K4D-4200	230 VAC	K t/c	32 to 150°F	Low Limit	Auto Reset	3A Relay	Remote	DIN Rail	LV E5KZ 0032 0150 A	2, 6, 8
146D-2K4D-4200	230 VAC	K t/c	0 to 66°C	Low Limit	Auto Reset	3A Relay	Remote	DIN Rail	LV E5LZ 0000 0066 A	2, 6, 8
146D-2K4F-1100	230 VAC	K t/c	32 to 150°F	High Limit	Manual Reset	3A Relay	Integral	DIN Rail	LV E6KU 0032 0150 A	6
146D-2K4F-1200	230 VAC	K t/c	32 to 150°F	High Limit	Manual Reset	3A Relay	Remote	DIN Rail	LV E5KU 0032 0150 A	2, 6
146D-2K4F-2100	230 VAC	K t/c	32 to 150°F	Low Limit	Manual Reset	3A Relay	Integral	DIN Rail	LV E6KY 0032 0150 A	6
146D-2K4F-2200	230 VAC	K t/c	32 to 150°F	Low Limit	Manual Reset	3A Relay	Remote	DIN Rail	LV E5KY 0032 0150 A	2, 6
146D-2K4F-3100	230 VAC	K t/c	32 to 150°F	High Limit	Auto Reset	3A Relay	Integral	DIN Rail	LV E6KW 0032 0150 A	6
146D-2K4F-3200	230 VAC	K t/c	32 to 150°F	High Limit	Auto Reset	3A Relay	Remote	DIN Rail	LV E5KW 0032 0150 A	2, 6
146D-2K4F-4100	230 VAC	K t/c	32 to 150°F	Low Limit	Auto Reset	3A Relay	Integral	DIN Rail	LV E6KZ 0032 0150 A	6
146D-2K4F-4200	230 VAC	K t/c	32 to 150°F	Low Limit	Auto Reset	3A Relay	Remote	DIN Rail	LV E5KZ 0032 0150 A	2, 6
146D-2K5C-1100	230 VAC	K t/c	-17 to 315°C	High Limit	Manual Reset	3A Relay	Integral	DIN Rail	LV E6LU -017 0315 A	6
146D-2K5C-1200	230 VAC	K t/c	-17 to 315°C	High Limit	Manual Reset	3A Relay	Remote	DIN Rail	LV E5LU -017 0315 A	2, 6

Series 146

<u>Series 146</u>	Line Voltage	Input	Temp Range	Control Mode	Action	Output	Set Point	Mounting	Retrofit control	See Notes Below
146D-2K5C-2100	230 VAC	K t/c	-17 to 315°C	Low Limit	Manual Reset	3A Relay	Integral	DIN Rail	LV E6LY -017 0315 A	6
146D-2K5C-2200	230 VAC	K t/c	-17 to 315°C	Low Limit	Manual Reset	3A Relay	Remote	DIN Rail	LV E5LY -017 0315 A	2, 6
146D-2K5C-3100	230 VAC	K t/c	-17 to 315°C	High Limit	Auto Reset	3A Relay	Integral	DIN Rail	LV E6LW -017 0315 A	6
146D-2K5C-3200	230 VAC	K t/c	-17 to 315°C	High Limit	Auto Reset	3A Relay	Remote	DIN Rail	LV E5LW -017 0315 A	2, 6
146D-2K5C-4100	230 VAC	K t/c	-17 to 315°C	Low Limit	Auto Reset	3A Relay	Integral	DIN Rail	LV E6LZ -017 0315 A	6
146D-2K5C-4200	230 VAC	K t/c	-17 to 315°C	Low Limit	Auto Reset	3A Relay	Remote	DIN Rail	LV E5LZ -017 0315 A	2, 6
146D-2K5D-1100	230 VAC	K t/c	0 to 600°F	High Limit	Manual Reset	3A Relay	Integral	DIN Rail	LV E6KU 0000 0600 A	6, 8
146D-2K5D-1100	230 VAC	K t/c	-17 to 315°C	High Limit	Manual Reset	3A Relay	Integral	DIN Rail	LV E6LU -017 0315 A	6, 8
146D-2K5D-1200	230 VAC	K t/c	0 to 600°F	High Limit	Manual Reset	3A Relay	Remote	DIN Rail	LV E5KU 0000 0600 A	2, 6, 8
146D-2K5D-1200	230 VAC	K t/c	-17 to 315°C	High Limit	Manual Reset	3A Relay	Remote	DIN Rail	LV E5LU -017 0315 A	2, 6, 8
146D-2K5D-2100	230 VAC	K t/c	0 to 600°F	Low Limit	Manual Reset	3A Relay	Integral	DIN Rail	LV E6KY 0000 0600 A	6, 8
146D-2K5D-2100	230 VAC	K t/c	-17 to 315°C	Low Limit	Manual Reset	3A Relay	Integral	DIN Rail	LV E6LY -017 0315 A	6, 8
146D-2K5D-2200	230 VAC	K t/c	0 to 600°F	Low Limit	Manual Reset	3A Relay	Remote	DIN Rail	LV E5KY 0000 0600 A	2, 6, 8
146D-2K5D-2200	230 VAC	K t/c	-17 to 315°C	Low Limit	Manual Reset	3A Relay	Remote	DIN Rail	LV E5LY -017 0315 A	2, 6, 8
146D-2K5D-3100	230 VAC	K t/c	0 to 600°F	High Limit	Auto Reset	3A Relay	Integral	DIN Rail	LV E6KW 0000 0600 A	6, 8
146D-2K5D-3100	230 VAC	K t/c	-17 to 315°C	High Limit	Auto Reset	3A Relay	Integral	DIN Rail	LV E6LW -017 0315 A	6, 8
146D-2K5D-3200	230 VAC	K t/c	0 to 600°F	High Limit	Auto Reset	3A Relay	Remote	DIN Rail	LV E5KW 0000 0600 A	2, 6, 8
146D-2K5D-3200	230 VAC	K t/c	-17 to 315°C	High Limit	Auto Reset	3A Relay	Remote	DIN Rail	LV E5LW -017 0315 A	2, 6, 8
146D-2K5D-4100	230 VAC	K t/c	0 to 600°F	Low Limit	Auto Reset	3A Relay	Integral	DIN Rail	LV E6KZ 0000 0600 A	6, 8
146D-2K5D-4100	230 VAC	K t/c	-17 to 315°C	Low Limit	Auto Reset	3A Relay	Integral	DIN Rail	LV E6LZ -017 0315 A	6, 8
146D-2K5D-4200	230 VAC	K t/c	0 to 600°F	Low Limit	Auto Reset	3A Relay	Remote	DIN Rail	LV E5KZ 0000 0600 A	2, 6, 8
146D-2K5D-4200	230 VAC	K t/c	-17 to 315°C	Low Limit	Auto Reset	3A Relay	Remote	DIN Rail	LV E5LZ -017 0315 A	2, 6, 8
146D-2K5F-1100	230 VAC	K t/c	0 to 600°F	High Limit	Manual Reset	3A Relay	Integral	DIN Rail	LV E6KU 0000 0600 A	6
146D-2K5F-1200	230 VAC	K t/c	0 to 600°F	High Limit	Manual Reset	3A Relay	Remote	DIN Rail	LV E5KU 0000 0600 A	2, 6
146D-2K5F-2100	230 VAC	K t/c	0 to 600°F	Low Limit	Manual Reset	3A Relay	Integral	DIN Rail	LV E6KY 0000 0600 A	6
146D-2K5F-2200	230 VAC	K t/c	0 to 600°F	Low Limit	Manual Reset	3A Relay	Remote	DIN Rail	LV E5KY 0000 0600 A	2, 6
146D-2K5F-3100	230 VAC	K t/c	0 to 600°F	High Limit	Auto Reset	3A Relay	Integral	DIN Rail	LV E6KW 0000 0600 A	6
146D-2K5F-3200	230 VAC	K t/c	0 to 600°F	High Limit	Auto Reset	3A Relay	Remote	DIN Rail	LV E5KW 0000 0600 A	2, 6
146D-2K5F-4100	230 VAC	K t/c	0 to 600°F	Low Limit	Auto Reset	3A Relay	Integral	DIN Rail	LV E6KZ 0000 0600 A	6
146D-2K5F-4200	230 VAC	K t/c	0 to 600°F	Low Limit	Auto Reset	3A Relay	Remote	DIN Rail	LV E5KZ 0000 0600 A	2, 6
146D-2P1C-1100	230 VAC	100 ohm DIN	-73 to 600°C	High Limit	Manual Reset	3A Relay	Integral	DIN Rail	LV E6RU -073 0600 A	6
146D-2P1C-1200	230 VAC	100 ohm DIN	-73 to 600°C	High Limit	Manual Reset	3A Relay	Remote	DIN Rail	LV E5RU -073 0600 A	2, 6
146D-2P1C-2100	230 VAC	100 ohm DIN	-73 to 600°C	Low Limit	Manual Reset	3A Relay	Integral	DIN Rail	LV E6RY -073 0600 A	6
146D-2P1C-2200	230 VAC	100 ohm DIN	-73 to 600°C	Low Limit	Manual Reset	3A Relay	Remote	DIN Rail	LV E5RY -073 0600 A	2, 6
146D-2P1C-3100	230 VAC	100 ohm DIN	-73 to 600°C	High Limit	Auto Reset	3A Relay	Integral	DIN Rail	LV E6RW -073 0600 A	6
146D-2P1C-3200	230 VAC	100 ohm DIN	-73 to 600°C	High Limit	Auto Reset	3A Relay	Remote	DIN Rail	LV E5RW -073 0600 A	2, 6
146D-2P1C-4100	230 VAC	100 ohm DIN	-73 to 600°C	Low Limit	Auto Reset	3A Relay	Integral	DIN Rail	LV E6RZ -073 0600 A	6
146D-2P1C-4200	230 VAC	100 ohm DIN	-73 to 600°C	Low Limit	Auto Reset	3A Relay	Remote	DIN Rail	LV E5RZ -073 0600 A	2, 6
146D-2P1D-1100	230 VAC	100 ohm DIN	-73 to 600°C	High Limit	Manual Reset	3A Relay	Integral	DIN Rail	LV E6RU -073 0600 A	6, 8
146D-2P1D-1100	230 VAC	100 ohm DIN	-100 to 1112 °F	High Limit	Manual Reset	3A Relay	Integral	DIN Rail	LV E6PU -100 1112 A	6, 8
146D-2P1D-1200	230 VAC	100 ohm DIN	-73 to 600°C	High Limit	Manual Reset	3A Relay	Remote	DIN Rail	LV E5RU -073 0600 A	2, 6, 8

Series 146

<u>Series 146</u>	Line Voltage	Input	Temp Range	Control Mode	Action	Output	Set Point	Mounting	Retrofit control	See Notes Below
146D-2P1D-1200	230 VAC	100 ohm DIN	-100 to 1112 °F	High Limit	Manual Reset	3A Relay	Remote	DIN Rail	LV E5PU -100 1112 A	2, 6, 8
146D-2P1D-2100	230 VAC	100 ohm DIN	-73 to 600°C	Low Limit	Manual Reset	3A Relay	Integral	DIN Rail	LV E6RY -073 0600 A	6, 8
146D-2P1D-2100	230 VAC	100 ohm DIN	-100 to 1112 °F	Low Limit	Manual Reset	3A Relay	Integral	DIN Rail	LV E6PY -100 1112 A	6, 8
146D-2P1D-2200	230 VAC	100 ohm DIN	-73 to 600°C	Low Limit	Manual Reset	3A Relay	Remote	DIN Rail	LV E5RY -073 0600 A	2, 6, 8
146D-2P1D-2200	230 VAC	100 ohm DIN	-100 to 1112 °F	Low Limit	Manual Reset	3A Relay	Remote	DIN Rail	LV E5PY -100 1112 A	2, 6, 8
146D-2P1D-3100	230 VAC	100 ohm DIN	-73 to 600°C	High Limit	Auto Reset	3A Relay	Integral	DIN Rail	LV E6RW -073 0600 A	6, 8
146D-2P1D-3100	230 VAC	100 ohm DIN	-100 to 1112 °F	High Limit	Auto Reset	3A Relay	Integral	DIN Rail	LV E6PW -100 1112 A	6, 8
146D-2P1D-3200	230 VAC	100 ohm DIN	-73 to 600°C	High Limit	Auto Reset	3A Relay	Remote	DIN Rail	LV E5RW -073 0600 A	2, 6, 8
146D-2P1D-3200	230 VAC	100 ohm DIN	-100 to 1112 °F	High Limit	Auto Reset	3A Relay	Remote	DIN Rail	LV E5PW -100 1112 A	2, 6, 8
146D-2P1D-4100	230 VAC	100 ohm DIN	-73 to 600°C	Low Limit	Auto Reset	3A Relay	Integral	DIN Rail	LV E6RZ -073 0600 A	6, 8
146D-2P1D-4100	230 VAC	100 ohm DIN	-100 to 1112 °F	Low Limit	Auto Reset	3A Relay	Integral	DIN Rail	LV E6PZ -100 1112 A	6, 8
146D-2P1D-4200	230 VAC	100 ohm DIN	-73 to 600°C	Low Limit	Auto Reset	3A Relay	Remote	DIN Rail	LV E5RZ -073 0600 A	2, 6, 8
146D-2P1D-4200	230 VAC	100 ohm DIN	-100 to 1112 °F	Low Limit	Auto Reset	3A Relay	Remote	DIN Rail	LV E5PZ -100 1112 A	2, 6, 8
146D-2P1F-1100	230 VAC	100 ohm DIN	-100 to 1112 °F	High Limit	Manual Reset	3A Relay	Integral	DIN Rail	LV E6PU -100 1112 A	6
146D-2P1F-1200	230 VAC	100 ohm DIN	-100 to 1112 °F	High Limit	Manual Reset	3A Relay	Remote	DIN Rail	LV E5PU -100 1112 A	2, 6
146D-2P1F-2100	230 VAC	100 ohm DIN	-100 to 1112 °F	Low Limit	Manual Reset	3A Relay	Integral	DIN Rail	LV E6PY -100 1112 A	6
146D-2P1F-2200	230 VAC	100 ohm DIN	-100 to 1112 °F	Low Limit	Manual Reset	3A Relay	Remote	DIN Rail	LV E5PY -100 1112 A	2, 6
146D-2P1F-3100	230 VAC	100 ohm DIN	-100 to 1112 °F	High Limit	Auto Reset	3A Relay	Integral	DIN Rail	LV E6PW -100 1112 A	6
146D-2P1F-3200	230 VAC	100 ohm DIN	-100 to 1112 °F	High Limit	Auto Reset	3A Relay	Remote	DIN Rail	LV E5PW -100 1112 A	2, 6
146D-2P1F-4100	230 VAC	100 ohm DIN	-100 to 1112 °F	Low Limit	Auto Reset	3A Relay	Integral	DIN Rail	LV E6PZ -100 1112 A	6
146D-2P1F-4200	230 VAC	100 ohm DIN	-100 to 1112 °F	Low Limit	Auto Reset	3A Relay	Remote	DIN Rail	LV E5PZ -100 1112 A	2, 6
146D-2T1C-1100	230 VAC	T t/c	-200 to 350°C	High Limit	Manual Reset	3A Relay	Integral	DIN Rail	LV E6NU -200 0350 A	6
146D-2T1C-1200	230 VAC	T t/c	-200 to 350°C	High Limit	Manual Reset	3A Relay	Remote	DIN Rail	LV E5NU -200 0350 A	2, 6
146D-2T1C-2100	230 VAC	T t/c	-200 to 350°C	Low Limit	Manual Reset	3A Relay	Integral	DIN Rail	LV E6NY -200 0350 A	6
146D-2T1C-2200	230 VAC	T t/c	-200 to 350°C	Low Limit	Manual Reset	3A Relay	Remote	DIN Rail	LV E5NY -200 0350 A	2, 6
146D-2T1C-3100	230 VAC	T t/c	-200 to 350°C	High Limit	Auto Reset	3A Relay	Integral	DIN Rail	LV E6NW -200 0350 A	6
146D-2T1C-3200	230 VAC	T t/c	-200 to 350°C	High Limit	Auto Reset	3A Relay	Remote	DIN Rail	LV E5NW -200 0350 A	2, 6
146D-2T1C-4100	230 VAC	T t/c	-200 to 350°C	Low Limit	Auto Reset	3A Relay	Integral	DIN Rail	LV E6NZ -200 0350 A	6
146D-2T1C-4200	230 VAC	T t/c	-200 to 350°C	Low Limit	Auto Reset	3A Relay	Remote	DIN Rail	LV E5NZ -200 0350 A	2, 6
146D-2T1D-1100	230 VAC	T t/c	-328 to 662°F	High Limit	Manual Reset	3A Relay	Integral	DIN Rail	LV E6MU -328 0662 A	6, 8
146D-2T1D-1100	230 VAC	T t/c	-200 to 350°C	High Limit	Manual Reset	3A Relay	Integral	DIN Rail	LV E6NU -200 0350 A	6, 8
146D-2T1D-1200	230 VAC	T t/c	-328 to 662°F	High Limit	Manual Reset	3A Relay	Remote	DIN Rail	LV E5MU -328 0662 A	2, 6, 8
146D-2T1D-1200	230 VAC	T t/c	-200 to 350°C	High Limit	Manual Reset	3A Relay	Remote	DIN Rail	LV E5NU -200 0350 A	2, 6, 8
146D-2T1D-2100	230 VAC	T t/c	-328 to 662°F	Low Limit	Manual Reset	3A Relay	Integral	DIN Rail	LV E6MY -328 0662 A	6, 8
146D-2T1D-2100	230 VAC	T t/c	-200 to 350°C	Low Limit	Manual Reset	3A Relay	Integral	DIN Rail	LV E6NY -200 0350 A	6, 8
146D-2T1D-2200	230 VAC	T t/c	-328 to 662°F	Low Limit	Manual Reset	3A Relay	Remote	DIN Rail	LV E5MY -328 0662 A	2, 6, 8
146D-2T1D-2200	230 VAC	T t/c	-200 to 350°C	Low Limit	Manual Reset	3A Relay	Remote	DIN Rail	LV E5NY -200 0350 A	2, 6, 8
146D-2T1D-3100	230 VAC	T t/c	-328 to 662°F	High Limit	Auto Reset	3A Relay	Integral	DIN Rail	LV E6MW -328 0662 A	6, 8
146D-2T1D-3100	230 VAC	T t/c	-200 to 350°C	High Limit	Auto Reset	3A Relay	Integral	DIN Rail	LV E6NW -200 0350 A	6, 8
146D-2T1D-3200	230 VAC	T t/c	-328 to 662°F	High Limit	Auto Reset	3A Relay	Remote	DIN Rail	LV E5MW -328 0662 A	2, 6, 8
146D-2T1D-3200	230 VAC	T t/c	-200 to 350°C	High Limit	Auto Reset	3A Relay	Remote	DIN Rail	LV E5NW -200 0350 A	2, 6, 8

Series 146

<u>Series 146</u>	Line Voltage	Input	Temp Range	Control Mode	Action	Output	Set Point	Mounting	Retrofit control	See Notes Below
146D-2T1D-4100	230 VAC	T t/c	-328 to 662°F	Low Limit	Auto Reset	3A Relay	Integral	DIN Rail	LV E6MZ -328 0662 A	6, 8
146D-2T1D-4100	230 VAC	T t/c	-200 to 350°C	Low Limit	Auto Reset	3A Relay	Integral	DIN Rail	LV E6NZ -200 0350 A	6, 8
146D-2T1D-4200	230 VAC	T t/c	-328 to 662°F	Low Limit	Auto Reset	3A Relay	Remote	DIN Rail	LV E5MZ -328 0662 A	2, 6, 8
146D-2T1D-4200	230 VAC	T t/c	-200 to 350°C	Low Limit	Auto Reset	3A Relay	Remote	DIN Rail	LV E5NZ -200 0350 A	2, 6, 8
146D-2T1F-1100	230 VAC	T t/c	-328 to 662°F	High Limit	Manual Reset	3A Relay	Integral	DIN Rail	LV E6MU -328 0662 A	6
146D-2T1F-1200	230 VAC	T t/c	-328 to 662°F	High Limit	Manual Reset	3A Relay	Remote	DIN Rail	LV E5MU -328 0662 A	2, 6
146D-2T1F-2100	230 VAC	T t/c	-328 to 662°F	Low Limit	Manual Reset	3A Relay	Integral	DIN Rail	LV E6MY -328 0662 A	6
146D-2T1F-2200	230 VAC	T t/c	-328 to 662°F	Low Limit	Manual Reset	3A Relay	Remote	DIN Rail	LV E5MY -328 0662 A	2, 6
146D-2T1F-3100	230 VAC	T t/c	-328 to 662°F	High Limit	Auto Reset	3A Relay	Integral	DIN Rail	LV E6MW -328 0662 A	6
146D-2T1F-3200	230 VAC	T t/c	-328 to 662°F	High Limit	Auto Reset	3A Relay	Remote	DIN Rail	LV E5MW -328 0662 A	2, 6
146D-2T1F-4100	230 VAC	T t/c	-328 to 662°F	Low Limit	Auto Reset	3A Relay	Integral	DIN Rail	LV E6MZ -328 0662 A	6
146D-2T1F-4200	230 VAC	T t/c	-328 to 662°F	Low Limit	Auto Reset	3A Relay	Remote	DIN Rail	LV E5MZ -328 0662 A	2, 6
146D-3E1C-1100	24 VAC	E t/c	0 to 799°C	High Limit	Manual Reset	3A Relay	Integral	DIN Rail	LV G6TU 0000 0799 A	6
146D-3E1C-1200	24 VAC	E t/c	0 to 799°C	High Limit	Manual Reset	3A Relay	Remote	DIN Rail	LV G5TU 0000 0799 A	2, 6
146D-3E1C-2100	24 VAC	E t/c	0 to 799°C	Low Limit	Manual Reset	3A Relay	Integral	DIN Rail	LV G6TY 0000 0799 A	6
146D-3E1C-2200	24 VAC	E t/c	0 to 799°C	Low Limit	Manual Reset	3A Relay	Remote	DIN Rail	LV G5TY 0000 0799 A	2, 6
146D-3E1C-3100	24 VAC	E t/c	0 to 799°C	High Limit	Auto Reset	3A Relay	Integral	DIN Rail	LV G6TW 0000 0799 A	6
146D-3E1C-3200	24 VAC	E t/c	0 to 799°C	High Limit	Auto Reset	3A Relay	Remote	DIN Rail	LV G5TW 0000 0799 A	2, 6
146D-3E1C-4100	24 VAC	E t/c	0 to 799°C	Low Limit	Auto Reset	3A Relay	Integral	DIN Rail	LV G6TZ 0000 0799 A	6
146D-3E1C-4200	24 VAC	E t/c	0 to 799°C	Low Limit	Auto Reset	3A Relay	Remote	DIN Rail	LV G5TZ 0000 0799 A	2, 6
146D-3E1D-1100	24 VAC	E t/c	32 to 1470°F	High Limit	Manual Reset	3A Relay	Integral	DIN Rail	LV G6SU 0032 1470 A	6, 8
146D-3E1D-1100	24 VAC	E t/c	0 to 799°C	High Limit	Manual Reset	3A Relay	Integral	DIN Rail	LV G6TU 0000 0799 A	6, 8
146D-3E1D-1200	24 VAC	E t/c	32 to 1470°F	High Limit	Manual Reset	3A Relay	Remote	DIN Rail	LV G5SU 0032 1470 A	2, 6, 8
146D-3E1D-1200	24 VAC	E t/c	0 to 799°C	High Limit	Manual Reset	3A Relay	Remote	DIN Rail	LV G5TU 0000 0799 A	2, 6, 8
146D-3E1D-2100	24 VAC	E t/c	32 to 1470°F	Low Limit	Manual Reset	3A Relay	Integral	DIN Rail	LV G6SY 0032 1470 A	6, 8
146D-3E1D-2100	24 VAC	E t/c	0 to 799°C	Low Limit	Manual Reset	3A Relay	Integral	DIN Rail	LV G6TY 0000 0799 A	6, 8
146D-3E1D-2200	24 VAC	E t/c	32 to 1470°F	Low Limit	Manual Reset	3A Relay	Remote	DIN Rail	LV G5SY 0032 1470 A	2, 6, 8
146D-3E1D-2200	24 VAC	E t/c	0 to 799°C	Low Limit	Manual Reset	3A Relay	Remote	DIN Rail	LV G5TY 0000 0799 A	2, 6, 8
146D-3E1D-3100	24 VAC	E t/c	32 to 1470°F	High Limit	Auto Reset	3A Relay	Integral	DIN Rail	LV G6SW 0032 1470 A	6, 8
146D-3E1D-3100	24 VAC	E t/c	0 to 799°C	High Limit	Auto Reset	3A Relay	Integral	DIN Rail	LV G6TW 0000 0799 A	6, 8
146D-3E1D-3200	24 VAC	E t/c	32 to 1470°F	High Limit	Auto Reset	3A Relay	Remote	DIN Rail	LV G5SW 0032 1470 A	2, 6, 8
146D-3E1D-3200	24 VAC	E t/c	0 to 799°C	High Limit	Auto Reset	3A Relay	Remote	DIN Rail	LV G5TW 0000 0799 A	2, 6, 8
146D-3E1D-4100	24 VAC	E t/c	32 to 1470°F	Low Limit	Auto Reset	3A Relay	Integral	DIN Rail	LV G6SZ 0032 1470 A	6, 8
146D-3E1D-4100	24 VAC	E t/c	0 to 799°C	Low Limit	Auto Reset	3A Relay	Integral	DIN Rail	LV G6TZ 0000 0799 A	6, 8
146D-3E1D-4200	24 VAC	E t/c	32 to 1470°F	Low Limit	Auto Reset	3A Relay	Remote	DIN Rail	LV G5SZ 0032 1470 A	2, 6, 8
146D-3E1D-4200	24 VAC	E t/c	0 to 799°C	Low Limit	Auto Reset	3A Relay	Remote	DIN Rail	LV G5TZ 0000 0799 A	2, 6, 8
146D-3E1F-1100	24 VAC	E t/c	32 to 1470°F	High Limit	Manual Reset	3A Relay	Integral	DIN Rail	LV G6SU 0032 1470 A	6
146D-3E1F-1200	24 VAC	E t/c	32 to 1470°F	High Limit	Manual Reset	3A Relay	Remote	DIN Rail	LV G5SU 0032 1470 A	2, 6
146D-3E1F-2100	24 VAC	E t/c	32 to 1470°F	Low Limit	Manual Reset	3A Relay	Integral	DIN Rail	LV G6SY 0032 1470 A	6
146D-3E1F-2200	24 VAC	E t/c	32 to 1470°F	Low Limit	Manual Reset	3A Relay	Remote	DIN Rail	LV G5SY 0032 1470 A	2, 6
146D-3E1F-3100	24 VAC	E t/c	32 to 1470°F	High Limit	Auto Reset	3A Relay	Integral	DIN Rail	LV G6SW 0032 1470 A	6

Series 146

Series 146	Line Voltage	Input	Temp Range	Control Mode	Action	Output	Set Point	Mounting	Retrofit control	See Notes Below
146D-3E1F-3200	24 VAC	E t/c	32 to 1470°F	High Limit	Auto Reset	3A Relay	Remote	DIN Rail	LV G5SW 0032 1470 A	2, 6
146D-3E1F-4100	24 VAC	E t/c	32 to 1470°F	Low Limit	Auto Reset	3A Relay	Integral	DIN Rail	LV G6SZ 0032 1470 A	6
146D-3E1F-4200	24 VAC	E t/c	32 to 1470°F	Low Limit	Auto Reset	3A Relay	Remote	DIN Rail	LV G5SZ 0032 1470 A	2, 6
146D-3J1C-1100	24 VAC	J t/c	0 to 315°C	High Limit	Manual Reset	3A Relay	Integral	DIN Rail	LV G6JU 0000 0315 A	6
146D-3J1C-1200	24 VAC	J t/c	0 to 315°C	High Limit	Manual Reset	3A Relay	Remote	DIN Rail	LV G5JU 0000 0315 A	2, 6
146D-3J1C-2100	24 VAC	J t/c	0 to 315°C	Low Limit	Manual Reset	3A Relay	Integral	DIN Rail	LV G6JY 0000 0315 A	6
146D-3J1C-2200	24 VAC	J t/c	0 to 315°C	Low Limit	Manual Reset	3A Relay	Remote	DIN Rail	LV G5JY 0000 0315 A	2, 6
146D-3J1C-3100	24 VAC	J t/c	0 to 315°C	High Limit	Auto Reset	3A Relay	Integral	DIN Rail	LV G6JW 0000 0315 A	6
146D-3J1C-3200	24 VAC	J t/c	0 to 315°C	High Limit	Auto Reset	3A Relay	Remote	DIN Rail	LV G5JW 0000 0315 A	2, 6
146D-3J1C-4100	24 VAC	J t/c	0 to 315°C	Low Limit	Auto Reset	3A Relay	Integral	DIN Rail	LV G6JZ 0000 0315 A	6
146D-3J1C-4200	24 VAC	J t/c	0 to 315°C	Low Limit	Auto Reset	3A Relay	Remote	DIN Rail	LV G5JZ 0000 0315 A	2, 6
146D-3J1D-1100	24 VAC	J t/c	32 to 600°F	High Limit	Manual Reset	3A Relay	Integral	DIN Rail	LV G6HU 0032 0600 A	6, 8
146D-3J1D-1100	24 VAC	J t/c	0 to 315°C	High Limit	Manual Reset	3A Relay	Integral	DIN Rail	LV G6JU 0000 0315 A	6, 8
146D-3J1D-1200	24 VAC	J t/c	32 to 600°F	High Limit	Manual Reset	3A Relay	Remote	DIN Rail	LV G5HU 0032 0600 A	2, 6, 8
146D-3J1D-1200	24 VAC	J t/c	0 to 315°C	High Limit	Manual Reset	3A Relay	Remote	DIN Rail	LV G5JU 0000 0315 A	2, 6, 8
146D-3J1D-2100	24 VAC	J t/c	32 to 600°F	Low Limit	Manual Reset	3A Relay	Integral	DIN Rail	LV G6HY 0032 0600 A	6, 8
146D-3J1D-2100	24 VAC	J t/c	0 to 315°C	Low Limit	Manual Reset	3A Relay	Integral	DIN Rail	LV G6JY 0000 0315 A	6, 8
146D-3J1D-2200	24 VAC	J t/c	32 to 600°F	Low Limit	Manual Reset	3A Relay	Remote	DIN Rail	LV G5HY 0032 0600 A	2, 6, 8
146D-3J1D-2200	24 VAC	J t/c	0 to 315°C	Low Limit	Manual Reset	3A Relay	Remote	DIN Rail	LV G5JY 0000 0315 A	2, 6, 8
146D-3J1D-3100	24 VAC	J t/c	32 to 600°F	High Limit	Auto Reset	3A Relay	Integral	DIN Rail	LV G6HW 0032 0600 A	6, 8
146D-3J1D-3100	24 VAC	J t/c	0 to 315°C	High Limit	Auto Reset	3A Relay	Integral	DIN Rail	LV G6JW 0000 0315 A	6, 8
146D-3J1D-3200	24 VAC	J t/c	32 to 600°F	High Limit	Auto Reset	3A Relay	Remote	DIN Rail	LV G5HW 0032 0600 A	2, 6, 8
146D-3J1D-3200	24 VAC	J t/c	0 to 315°C	High Limit	Auto Reset	3A Relay	Remote	DIN Rail	LV G5JW 0000 0315 A	2, 6, 8
146D-3J1D-4100	24 VAC	J t/c	32 to 600°F	Low Limit	Auto Reset	3A Relay	Integral	DIN Rail	LV G6HZ 0032 0600 A	6, 8
146D-3J1D-4100	24 VAC	J t/c	0 to 315°C	Low Limit	Auto Reset	3A Relay	Integral	DIN Rail	LV G6JZ 0000 0315 A	6, 8
146D-3J1D-4200	24 VAC	J t/c	32 to 600°F	Low Limit	Auto Reset	3A Relay	Remote	DIN Rail	LV G5HZ 0032 0600 A	2, 6, 8
146D-3J1D-4200	24 VAC	J t/c	0 to 315°C	Low Limit	Auto Reset	3A Relay	Remote	DIN Rail	LV G5JZ 0000 0315 A	2, 6, 8
146D-3J1F-1100	24 VAC	J t/c	32 to 600°F	High Limit	Manual Reset	3A Relay	Integral	DIN Rail	LV G6HU 0032 0600 A	6
146D-3J1F-1200	24 VAC	J t/c	32 to 600°F	High Limit	Manual Reset	3A Relay	Remote	DIN Rail	LV G5HU 0032 0600 A	2, 6
146D-3J1F-2100	24 VAC	J t/c	32 to 600°F	Low Limit	Manual Reset	3A Relay	Integral	DIN Rail	LV G6HY 0032 0600 A	6
146D-3J1F-2200	24 VAC	J t/c	32 to 600°F	Low Limit	Manual Reset	3A Relay	Remote	DIN Rail	LV G5HY 0032 0600 A	2, 6
146D-3J1F-3100	24 VAC	J t/c	32 to 600°F	High Limit	Auto Reset	3A Relay	Integral	DIN Rail	LV G6HW 0032 0600 A	6
146D-3J1F-3200	24 VAC	J t/c	32 to 600°F	High Limit	Auto Reset	3A Relay	Remote	DIN Rail	LV G5HW 0032 0600 A	2, 6
146D-3J1F-4100	24 VAC	J t/c	32 to 600°F	Low Limit	Auto Reset	3A Relay	Integral	DIN Rail	LV G6HZ 0032 0600 A	6
146D-3J1F-4200	24 VAC	J t/c	32 to 600°F	Low Limit	Auto Reset	3A Relay	Remote	DIN Rail	LV G5HZ 0032 0600 A	2, 6
146D-3J2C-1100	24 VAC	J t/c	0 to 750°C	High Limit	Manual Reset	3A Relay	Integral	DIN Rail	LV G6JU 0000 0750 A	6
146D-3J2C-1200	24 VAC	J t/c	0 to 750°C	High Limit	Manual Reset	3A Relay	Remote	DIN Rail	LV G5JU 0000 0750 A	2, 6
146D-3J2C-2100	24 VAC	J t/c	0 to 750°C	Low Limit	Manual Reset	3A Relay	Integral	DIN Rail	LV G6JY 0000 0750 A	6
146D-3J2C-2200	24 VAC	J t/c	0 to 750°C	Low Limit	Manual Reset	3A Relay	Remote	DIN Rail	LV G5JY 0000 0750 A	2, 6
146D-3J2C-3100	24 VAC	J t/c	0 to 750°C	High Limit	Auto Reset	3A Relay	Integral	DIN Rail	LV G6JW 0000 0750 A	6
146D-3J2C-3200	24 VAC	J t/c	0 to 750°C	High Limit	Auto Reset	3A Relay	Remote	DIN Rail	LV G5JW 0000 0750 A	2, 6

Series 146

<u>Series 146</u>	Line Voltage	Input	Temp Range	Control Mode	Action	Output	Set Point	Mounting	Retrofit control	See Notes Below
146D-3J2C-4100	24 VAC	J t/c	0 to 750°C	Low Limit	Auto Reset	3A Relay	Integral	DIN Rail	LV G6JZ 0000 0750 A	6
146D-3J2C-4200	24 VAC	J t/c	0 to 750°C	Low Limit	Auto Reset	3A Relay	Remote	DIN Rail	LV G5JZ 0000 0750 A	2, 6
146D-3J2D-1100	24 VAC	J t/c	32 to 1382°F	High Limit	Manual Reset	3A Relay	Integral	DIN Rail	LV G6HU 0032 1382 A	6, 8
146D-3J2D-1100	24 VAC	J t/c	0 to 750°C	High Limit	Manual Reset	3A Relay	Integral	DIN Rail	LV G6JU 0000 0750 A	6, 8
146D-3J2D-1200	24 VAC	J t/c	32 to 1382°F	High Limit	Manual Reset	3A Relay	Remote	DIN Rail	LV G5HU 0032 1382 A	2, 6, 8
146D-3J2D-1200	24 VAC	J t/c	0 to 750°C	High Limit	Manual Reset	3A Relay	Remote	DIN Rail	LV G5JU 0000 0750 A	2, 6, 8
146D-3J2D-2100	24 VAC	J t/c	32 to 1382°F	Low Limit	Manual Reset	3A Relay	Integral	DIN Rail	LV G6HY 0032 1382 A	6, 8
146D-3J2D-2100	24 VAC	J t/c	0 to 750°C	Low Limit	Manual Reset	3A Relay	Integral	DIN Rail	LV G6JY 0000 0750 A	6, 8
146D-3J2D-2200	24 VAC	J t/c	32 to 1382°F	Low Limit	Manual Reset	3A Relay	Remote	DIN Rail	LV G5HY 0032 1382 A	2, 6, 8
146D-3J2D-2200	24 VAC	J t/c	0 to 750°C	Low Limit	Manual Reset	3A Relay	Remote	DIN Rail	LV G5JY 0000 0750 A	2, 6, 8
146D-3J2D-3100	24 VAC	J t/c	32 to 1382°F	High Limit	Auto Reset	3A Relay	Integral	DIN Rail	LV G6HW 0032 1382 A	6, 8
146D-3J2D-3100	24 VAC	J t/c	0 to 750°C	High Limit	Auto Reset	3A Relay	Integral	DIN Rail	LV G6JW 0000 0750 A	6, 8
146D-3J2D-3200	24 VAC	J t/c	32 to 1382°F	High Limit	Auto Reset	3A Relay	Remote	DIN Rail	LV G5HW 0032 1382 A	2, 6, 8
146D-3J2D-3200	24 VAC	J t/c	0 to 750°C	High Limit	Auto Reset	3A Relay	Remote	DIN Rail	LV G5JW 0000 0750 A	2, 6, 8
146D-3J2D-4100	24 VAC	J t/c	32 to 1382°F	Low Limit	Auto Reset	3A Relay	Integral	DIN Rail	LV G6HZ 0032 1382 A	6, 8
146D-3J2D-4100	24 VAC	J t/c	0 to 750°C	Low Limit	Auto Reset	3A Relay	Integral	DIN Rail	LV G6JZ 0000 0750 A	6, 8
146D-3J2D-4200	24 VAC	J t/c	32 to 1382°F	Low Limit	Auto Reset	3A Relay	Remote	DIN Rail	LV G5HZ 0032 1382 A	2, 6, 8
146D-3J2D-4200	24 VAC	J t/c	0 to 750°C	Low Limit	Auto Reset	3A Relay	Remote	DIN Rail	LV G5JZ 0000 0750 A	2, 6, 8
146D-3J2F-1100	24 VAC	J t/c	32 to 1382°F	High Limit	Manual Reset	3A Relay	Integral	DIN Rail	LV G6HU 0032 1382 A	6
146D-3J2F-1200	24 VAC	J t/c	32 to 1382°F	High Limit	Manual Reset	3A Relay	Remote	DIN Rail	LV G5HU 0032 1382 A	2, 6
146D-3J2F-2100	24 VAC	J t/c	32 to 1382°F	Low Limit	Manual Reset	3A Relay	Integral	DIN Rail	LV G6HY 0032 1382 A	6
146D-3J2F-2200	24 VAC	J t/c	32 to 1382°F	Low Limit	Manual Reset	3A Relay	Remote	DIN Rail	LV G5HY 0032 1382 A	2, 6
146D-3J2F-3100	24 VAC	J t/c	32 to 1382°F	High Limit	Auto Reset	3A Relay	Integral	DIN Rail	LV G6HW 0032 1382 A	6
146D-3J2F-3200	24 VAC	J t/c	32 to 1382°F	High Limit	Auto Reset	3A Relay	Remote	DIN Rail	LV G5HW 0032 1382 A	2, 6
146D-3J2F-4100	24 VAC	J t/c	32 to 1382°F	Low Limit	Auto Reset	3A Relay	Integral	DIN Rail	LV G6HZ 0032 1382 A	6
146D-3J2F-4200	24 VAC	J t/c	32 to 1382°F	Low Limit	Auto Reset	3A Relay	Remote	DIN Rail	LV G5HZ 0032 1382 A	2, 6
146D-3J3C-1100	24 VAC	J t/c	149 to 427°C	High Limit	Manual Reset	3A Relay	Integral	DIN Rail	LV G6JU 0149 0427 A	6
146D-3J3C-1200	24 VAC	J t/c	149 to 427°C	High Limit	Manual Reset	3A Relay	Remote	DIN Rail	LV G5JU 0149 0427 A	2, 6
146D-3J3C-2100	24 VAC	J t/c	149 to 427°C	Low Limit	Manual Reset	3A Relay	Integral	DIN Rail	LV G6JY 0149 0427 A	6
146D-3J3C-2200	24 VAC	J t/c	149 to 427°C	Low Limit	Manual Reset	3A Relay	Remote	DIN Rail	LV G5JY 0149 0427 A	2, 6
146D-3J3C-3100	24 VAC	J t/c	149 to 427°C	High Limit	Auto Reset	3A Relay	Integral	DIN Rail	LV G6JW 0149 0427 A	6
146D-3J3C-3200	24 VAC	J t/c	149 to 427°C	High Limit	Auto Reset	3A Relay	Remote	DIN Rail	LV G5JW 0149 0427 A	2, 6
146D-3J3C-4100	24 VAC	J t/c	149 to 427°C	Low Limit	Auto Reset	3A Relay	Integral	DIN Rail	LV G6JZ 0149 0427 A	6
146D-3J3C-4200	24 VAC	J t/c	149 to 427°C	Low Limit	Auto Reset	3A Relay	Remote	DIN Rail	LV G5JZ 0149 0427 A	2, 6
146D-3J3D-1100	24 VAC	J t/c	300 to 800°F	High Limit	Manual Reset	3A Relay	Integral	DIN Rail	LV G6HU 0300 0800 A	6, 8
146D-3J3D-1100	24 VAC	J t/c	149 to 427°C	High Limit	Manual Reset	3A Relay	Integral	DIN Rail	LV G6JU 0149 0427 A	6, 8
146D-3J3D-1200	24 VAC	J t/c	300 to 800°F	High Limit	Manual Reset	3A Relay	Remote	DIN Rail	LV G5HU 0300 0800 A	2, 6, 8
146D-3J3D-1200	24 VAC	J t/c	149 to 427°C	High Limit	Manual Reset	3A Relay	Remote	DIN Rail	LV G5JU 0149 0427 A	2, 6, 8
146D-3J3D-2100	24 VAC	J t/c	300 to 800°F	Low Limit	Manual Reset	3A Relay	Integral	DIN Rail	LV G6HY 0300 0800 A	6, 8
146D-3J3D-2100	24 VAC	J t/c	149 to 427°C	Low Limit	Manual Reset	3A Relay	Integral	DIN Rail	LV G6JY 0149 0427 A	6, 8
146D-3J3D-2200	24 VAC	J t/c	300 to 800°F	Low Limit	Manual Reset	3A Relay	Remote	DIN Rail	LV G5HY 0300 0800 A	2, 6, 8

Series 146

Series 146	Line Voltage	Input	Temp Range	Control Mode	Action	Output	Set Point	Mounting	Retrofit control	See Notes Below
146D-3J3D-2200	24 VAC	J t/c	149 to 427°C	Low Limit	Manual Reset	3A Relay	Remote	DIN Rail	LV G5JY 0149 0427 A	2, 6, 8
146D-3J3D-3100	24 VAC	J t/c	300 to 800°F	High Limit	Auto Reset	3A Relay	Integral	DIN Rail	LV G6HW 0300 0800 A	6, 8
146D-3J3D-3100	24 VAC	J t/c	149 to 427°C	High Limit	Auto Reset	3A Relay	Integral	DIN Rail	LV G6JW 0149 0427 A	6, 8
146D-3J3D-3200	24 VAC	J t/c	300 to 800°F	High Limit	Auto Reset	3A Relay	Remote	DIN Rail	LV G5HW 0300 0800 A	2, 6, 8
146D-3J3D-3200	24 VAC	J t/c	149 to 427°C	High Limit	Auto Reset	3A Relay	Remote	DIN Rail	LV G5JW 0149 0427 A	2, 6, 8
146D-3J3D-4100	24 VAC	J t/c	300 to 800°F	Low Limit	Auto Reset	3A Relay	Integral	DIN Rail	LV G6HZ 0300 0800 A	6, 8
146D-3J3D-4100	24 VAC	J t/c	149 to 427°C	Low Limit	Auto Reset	3A Relay	Integral	DIN Rail	LV G6JZ 0149 0427 A	6, 8
146D-3J3D-4200	24 VAC	J t/c	300 to 800°F	Low Limit	Auto Reset	3A Relay	Remote	DIN Rail	LV G5HZ 0300 0800 A	2, 6, 8
146D-3J3D-4200	24 VAC	J t/c	149 to 427°C	Low Limit	Auto Reset	3A Relay	Remote	DIN Rail	LV G5JZ 0149 0427 A	2, 6, 8
146D-3J3F-1100	24 VAC	J t/c	300 to 800°F	High Limit	Manual Reset	3A Relay	Integral	DIN Rail	LV G6HU 0300 0800 A	6
146D-3J3F-1200	24 VAC	J t/c	300 to 800°F	High Limit	Manual Reset	3A Relay	Remote	DIN Rail	LV G5HU 0300 0800 A	2, 6
146D-3J3F-2100	24 VAC	J t/c	300 to 800°F	Low Limit	Manual Reset	3A Relay	Integral	DIN Rail	LV G6HY 0300 0800 A	6
146D-3J3F-2200	24 VAC	J t/c	300 to 800°F	Low Limit	Manual Reset	3A Relay	Remote	DIN Rail	LV G5HY 0300 0800 A	2, 6
146D-3J3F-3100	24 VAC	J t/c	300 to 800°F	High Limit	Auto Reset	3A Relay	Integral	DIN Rail	LV G6HW 0300 0800 A	6
146D-3J3F-3200	24 VAC	J t/c	300 to 800°F	High Limit	Auto Reset	3A Relay	Remote	DIN Rail	LV G5HW 0300 0800 A	2, 6
146D-3J3F-4100	24 VAC	J t/c	300 to 800°F	Low Limit	Auto Reset	3A Relay	Integral	DIN Rail	LV G6HZ 0300 0800 A	6
146D-3J3F-4200	24 VAC	J t/c	300 to 800°F	Low Limit	Auto Reset	3A Relay	Remote	DIN Rail	LV G5HZ 0300 0800 A	2, 6
146D-3J4C-1100	24 VAC	J t/c	-18 to 93°C	High Limit	Manual Reset	3A Relay	Integral	DIN Rail	LV G6JU -018 0093 A	6
146D-3J4C-1200	24 VAC	J t/c	-18 to 93°C	High Limit	Manual Reset	3A Relay	Remote	DIN Rail	LV G5JU -018 0093 A	2, 6
146D-3J4C-2100	24 VAC	J t/c	-18 to 93°C	Low Limit	Manual Reset	3A Relay	Integral	DIN Rail	LV G6JY -018 0093 A	6
146D-3J4C-2200	24 VAC	J t/c	-18 to 93°C	Low Limit	Manual Reset	3A Relay	Remote	DIN Rail	LV G5JY -018 0093 A	2, 6
146D-3J4C-3100	24 VAC	J t/c	-18 to 93°C	High Limit	Auto Reset	3A Relay	Integral	DIN Rail	LV G6JW -018 0093 A	6
146D-3J4C-3200	24 VAC	J t/c	-18 to 93°C	High Limit	Auto Reset	3A Relay	Remote	DIN Rail	LV G5JW -018 0093 A	2, 6
146D-3J4C-4100	24 VAC	J t/c	-18 to 93°C	Low Limit	Auto Reset	3A Relay	Integral	DIN Rail	LV G6JZ -018 0093 A	6
146D-3J4C-4200	24 VAC	J t/c	-18 to 93°C	Low Limit	Auto Reset	3A Relay	Remote	DIN Rail	LV G5JZ -018 0093 A	2, 6
146D-3J4D-1100	24 VAC	J t/c	0 to 200°F	High Limit	Manual Reset	3A Relay	Integral	DIN Rail	LV G6HU 0000 0200 A	6, 8
146D-3J4D-1100	24 VAC	J t/c	-18 to 93°C	High Limit	Manual Reset	3A Relay	Integral	DIN Rail	LV G6JU -018 0093 A	6, 8
146D-3J4D-1200	24 VAC	J t/c	0 to 200°F	High Limit	Manual Reset	3A Relay	Remote	DIN Rail	LV G5HU 0000 0200 A	2, 6, 8
146D-3J4D-1200	24 VAC	J t/c	-18 to 93°C	High Limit	Manual Reset	3A Relay	Remote	DIN Rail	LV G5JU -018 0093 A	2, 6, 8
146D-3J4D-2100	24 VAC	J t/c	0 to 200°F	Low Limit	Manual Reset	3A Relay	Integral	DIN Rail	LV G6HY 0000 0200 A	6, 8
146D-3J4D-2100	24 VAC	J t/c	-18 to 93°C	Low Limit	Manual Reset	3A Relay	Integral	DIN Rail	LV G6JY -018 0093 A	6, 8
146D-3J4D-2200	24 VAC	J t/c	0 to 200°F	Low Limit	Manual Reset	3A Relay	Remote	DIN Rail	LV G5HY 0000 0200 A	2, 6, 8
146D-3J4D-2200	24 VAC	J t/c	-18 to 93°C	Low Limit	Manual Reset	3A Relay	Remote	DIN Rail	LV G5JY -018 0093 A	2, 6, 8
146D-3J4D-3100	24 VAC	J t/c	0 to 200°F	High Limit	Auto Reset	3A Relay	Integral	DIN Rail	LV G6HW 0000 0200 A	6, 8
146D-3J4D-3100	24 VAC	J t/c	-18 to 93°C	High Limit	Auto Reset	3A Relay	Integral	DIN Rail	LV G6JW -018 0093 A	6, 8
146D-3J4D-3200	24 VAC	J t/c	0 to 200°F	High Limit	Auto Reset	3A Relay	Remote	DIN Rail	LV G5HW 0000 0200 A	2, 6, 8
146D-3J4D-3200	24 VAC	J t/c	-18 to 93°C	High Limit	Auto Reset	3A Relay	Remote	DIN Rail	LV G5JW -018 0093 A	2, 6, 8
146D-3J4D-4100	24 VAC	J t/c	0 to 200°F	Low Limit	Auto Reset	3A Relay	Integral	DIN Rail	LV G6HZ 0000 0200 A	6, 8
146D-3J4D-4100	24 VAC	J t/c	-18 to 93°C	Low Limit	Auto Reset	3A Relay	Integral	DIN Rail	LV G6JZ -018 0093 A	6, 8
146D-3J4D-4200	24 VAC	J t/c	0 to 200°F	Low Limit	Auto Reset	3A Relay	Remote	DIN Rail	LV G5HZ 0000 0200 A	2, 6, 8
146D-3J4D-4200	24 VAC	J t/c	-18 to 93°C	Low Limit	Auto Reset	3A Relay	Remote	DIN Rail	LV G5JZ -018 0093 A	2, 6, 8

Series 146

Series 146	Line Voltage	Input	Temp Range	Control Mode	Action	Output	Set Point	Mounting	Retrofit control	See Notes Below
146D-3J4F-1100	24 VAC	J t/c	0 to 200°F	High Limit	Manual Reset	3A Relay	Integral	DIN Rail	LV G6HU 0000 0200 A	6
146D-3J4F-1200	24 VAC	J t/c	0 to 200°F	High Limit	Manual Reset	3A Relay	Remote	DIN Rail	LV G5HU 0000 0200 A	2, 6
146D-3J4F-2100	24 VAC	J t/c	0 to 200°F	Low Limit	Manual Reset	3A Relay	Integral	DIN Rail	LV G6HY 0000 0200 A	6
146D-3J4F-2200	24 VAC	J t/c	0 to 200°F	Low Limit	Manual Reset	3A Relay	Remote	DIN Rail	LV G5HY 0000 0200 A	2, 6
146D-3J4F-3100	24 VAC	J t/c	0 to 200°F	High Limit	Auto Reset	3A Relay	Integral	DIN Rail	LV G6HW 0000 0200 A	6
146D-3J4F-3200	24 VAC	J t/c	0 to 200°F	High Limit	Auto Reset	3A Relay	Remote	DIN Rail	LV G5HW 0000 0200 A	2, 6
146D-3J4F-4100	24 VAC	J t/c	0 to 200°F	Low Limit	Auto Reset	3A Relay	Integral	DIN Rail	LV G6HZ 0000 0200 A	6
146D-3J4F-4200	24 VAC	J t/c	0 to 200°F	Low Limit	Auto Reset	3A Relay	Remote	DIN Rail	LV G5HZ 0000 0200 A	2, 6
146D-3J5C-1100	24 VAC	J t/c	43 to 54°C	High Limit	Manual Reset	3A Relay	Integral	DIN Rail	LV G6JU 0043 0054 A	6
146D-3J5C-1200	24 VAC	J t/c	43 to 54°C	High Limit	Manual Reset	3A Relay	Remote	DIN Rail	LV G5JU 0043 0054 A	2, 6
146D-3J5C-2100	24 VAC	J t/c	43 to 54°C	Low Limit	Manual Reset	3A Relay	Integral	DIN Rail	LV G6JY 0043 0054 A	6
146D-3J5C-2200	24 VAC	J t/c	43 to 54°C	Low Limit	Manual Reset	3A Relay	Remote	DIN Rail	LV G5JY 0043 0054 A	2, 6
146D-3J5C-3100	24 VAC	J t/c	43 to 54°C	High Limit	Auto Reset	3A Relay	Integral	DIN Rail	LV G6JW 0043 0054 A	6
146D-3J5C-3200	24 VAC	J t/c	43 to 54°C	High Limit	Auto Reset	3A Relay	Remote	DIN Rail	LV G5JW 0043 0054 A	2, 6
146D-3J5C-4100	24 VAC	J t/c	43 to 54°C	Low Limit	Auto Reset	3A Relay	Integral	DIN Rail	LV G6JZ 0043 0054 A	6
146D-3J5C-4200	24 VAC	J t/c	43 to 54°C	Low Limit	Auto Reset	3A Relay	Remote	DIN Rail	LV G5JZ 0043 0054 A	2, 6
146D-3J5D-1100	24 VAC	J t/c	110 to 130°F	High Limit	Manual Reset	3A Relay	Integral	DIN Rail	LV G6HU 0110 0130 A	6, 8
146D-3J5D-1100	24 VAC	J t/c	43 to 54°C	High Limit	Manual Reset	3A Relay	Integral	DIN Rail	LV G6JU 0043 0054 A	6, 8
146D-3J5D-1200	24 VAC	J t/c	110 to 130°F	High Limit	Manual Reset	3A Relay	Remote	DIN Rail	LV G5HU 0110 0130 A	2, 6, 8
146D-3J5D-1200	24 VAC	J t/c	43 to 54°C	High Limit	Manual Reset	3A Relay	Remote	DIN Rail	LV G5JU 0043 0054 A	2, 6, 8
146D-3J5D-2100	24 VAC	J t/c	110 to 130°F	Low Limit	Manual Reset	3A Relay	Integral	DIN Rail	LV G6HY 0110 0130 A	6, 8
146D-3J5D-2100	24 VAC	J t/c	43 to 54°C	Low Limit	Manual Reset	3A Relay	Integral	DIN Rail	LV G6JY 0043 0054 A	6, 8
146D-3J5D-2200	24 VAC	J t/c	110 to 130°F	Low Limit	Manual Reset	3A Relay	Remote	DIN Rail	LV G5HY 0110 0130 A	2, 6, 8
146D-3J5D-2200	24 VAC	J t/c	43 to 54°C	Low Limit	Manual Reset	3A Relay	Remote	DIN Rail	LV G5JY 0043 0054 A	2, 6, 8
146D-3J5D-3100	24 VAC	J t/c	110 to 130°F	High Limit	Auto Reset	3A Relay	Integral	DIN Rail	LV G6HW 0110 0130 A	6, 8
146D-3J5D-3100	24 VAC	J t/c	43 to 54°C	High Limit	Auto Reset	3A Relay	Integral	DIN Rail	LV G6JW 0043 0054 A	6, 8
146D-3J5D-3200	24 VAC	J t/c	110 to 130°F	High Limit	Auto Reset	3A Relay	Remote	DIN Rail	LV G5HW 0110 0130 A	2, 6, 8
146D-3J5D-3200	24 VAC	J t/c	43 to 54°C	High Limit	Auto Reset	3A Relay	Remote	DIN Rail	LV G5JW 0043 0054 A	2, 6, 8
146D-3J5D-4100	24 VAC	J t/c	110 to 130°F	Low Limit	Auto Reset	3A Relay	Integral	DIN Rail	LV G6HZ 0110 0130 A	6, 8
146D-3J5D-4100	24 VAC	J t/c	43 to 54°C	Low Limit	Auto Reset	3A Relay	Integral	DIN Rail	LV G6JZ 0043 0054 A	6, 8
146D-3J5D-4200	24 VAC	J t/c	110 to 130°F	Low Limit	Auto Reset	3A Relay	Remote	DIN Rail	LV G5HZ 0110 0130 A	2, 6, 8
146D-3J5D-4200	24 VAC	J t/c	43 to 54°C	Low Limit	Auto Reset	3A Relay	Remote	DIN Rail	LV G5JZ 0043 0054 A	2, 6, 8
146D-3J5F-1100	24 VAC	J t/c	110 to 130°F	High Limit	Manual Reset	3A Relay	Integral	DIN Rail	LV G6HU 0110 0130 A	6
146D-3J5F-1200	24 VAC	J t/c	110 to 130°F	High Limit	Manual Reset	3A Relay	Remote	DIN Rail	LV G5HU 0110 0130 A	2, 6
146D-3J5F-2100	24 VAC	J t/c	110 to 130°F	Low Limit	Manual Reset	3A Relay	Integral	DIN Rail	LV G6HY 0110 0130 A	6
146D-3J5F-2200	24 VAC	J t/c	110 to 130°F	Low Limit	Manual Reset	3A Relay	Remote	DIN Rail	LV G5HY 0110 0130 A	2, 6
146D-3J5F-3100	24 VAC	J t/c	110 to 130°F	High Limit	Auto Reset	3A Relay	Integral	DIN Rail	LV G6HW 0110 0130 A	6
146D-3J5F-3200	24 VAC	J t/c	110 to 130°F	High Limit	Auto Reset	3A Relay	Remote	DIN Rail	LV G5HW 0110 0130 A	2, 6
146D-3J5F-4100	24 VAC	J t/c	110 to 130°F	Low Limit	Auto Reset	3A Relay	Integral	DIN Rail	LV G6HZ 0110 0130 A	6
146D-3J5F-4200	24 VAC	J t/c	110 to 130°F	Low Limit	Auto Reset	3A Relay	Remote	DIN Rail	LV G5HZ 0110 0130 A	2, 6
146D-3K1C-1100	24 VAC	K t/c	0 to 1250°C	High Limit	Manual Reset	3A Relay	Integral	DIN Rail	LV G6LU 0000 1250 A	6

Series 146

<u>Series 146</u>	Line Voltage	Input	Temp Range	Control Mode	Action	Output	Set Point	Mounting	Retrofit control	See Notes Below
146D-3K1C-1200	24 VAC	K t/c	0 to 1250°C	High Limit	Manual Reset	3A Relay	Remote	DIN Rail	LV G5LU 0000 1250 A	2, 6
146D-3K1C-2100	24 VAC	K t/c	0 to 1250°C	Low Limit	Manual Reset	3A Relay	Integral	DIN Rail	LV G6LY 0000 1250 A	6
146D-3K1C-2200	24 VAC	K t/c	0 to 1250°C	Low Limit	Manual Reset	3A Relay	Remote	DIN Rail	LV G5LY 0000 1250 A	2, 6
146D-3K1C-3100	24 VAC	K t/c	0 to 1250°C	High Limit	Auto Reset	3A Relay	Integral	DIN Rail	LV G6LW 0000 1250 A	6
146D-3K1C-3200	24 VAC	K t/c	0 to 1250°C	High Limit	Auto Reset	3A Relay	Remote	DIN Rail	LV G5LW 0000 1250 A	2, 6
146D-3K1C-4100	24 VAC	K t/c	0 to 1250°C	Low Limit	Auto Reset	3A Relay	Integral	DIN Rail	LV G6LZ 0000 1250 A	6
146D-3K1C-4200	24 VAC	K t/c	0 to 1250°C	Low Limit	Auto Reset	3A Relay	Remote	DIN Rail	LV G5LZ 0000 1250 A	2, 6
146D-3K1D-1100	24 VAC	K t/c	32 to 2282°F	High Limit	Manual Reset	3A Relay	Integral	DIN Rail	LV G6KU 0032 2282 A	6, 8
146D-3K1D-1100	24 VAC	K t/c	0 to 1250°C	High Limit	Manual Reset	3A Relay	Integral	DIN Rail	LV G6LU 0000 1250 A	6, 8
146D-3K1D-1200	24 VAC	K t/c	32 to 2282°F	High Limit	Manual Reset	3A Relay	Remote	DIN Rail	LV G5KU 0032 2282 A	2, 6, 8
146D-3K1D-1200	24 VAC	K t/c	0 to 1250°C	High Limit	Manual Reset	3A Relay	Remote	DIN Rail	LV G5LU 0000 1250 A	2, 6, 8
146D-3K1D-2100	24 VAC	K t/c	32 to 2282°F	Low Limit	Manual Reset	3A Relay	Integral	DIN Rail	LV G6KY 0032 2282 A	6, 8
146D-3K1D-2100	24 VAC	K t/c	0 to 1250°C	Low Limit	Manual Reset	3A Relay	Integral	DIN Rail	LV G6LY 0000 1250 A	6, 8
146D-3K1D-2200	24 VAC	K t/c	32 to 2282°F	Low Limit	Manual Reset	3A Relay	Remote	DIN Rail	LV G5KY 0032 2282 A	2, 6, 8
146D-3K1D-2200	24 VAC	K t/c	0 to 1250°C	Low Limit	Manual Reset	3A Relay	Remote	DIN Rail	LV G5LY 0000 1250 A	2, 6, 8
146D-3K1D-3100	24 VAC	K t/c	32 to 2282°F	High Limit	Auto Reset	3A Relay	Integral	DIN Rail	LV G6KW 0032 2282 A	6, 8
146D-3K1D-3100	24 VAC	K t/c	0 to 1250°C	High Limit	Auto Reset	3A Relay	Integral	DIN Rail	LV G6LW 0000 1250 A	6, 8
146D-3K1D-3200	24 VAC	K t/c	32 to 2282°F	High Limit	Auto Reset	3A Relay	Remote	DIN Rail	LV G5KW 0032 2282 A	2, 6, 8
146D-3K1D-3200	24 VAC	K t/c	0 to 1250°C	High Limit	Auto Reset	3A Relay	Remote	DIN Rail	LV G5LW 0000 1250 A	2, 6, 8
146D-3K1D-4100	24 VAC	K t/c	32 to 2282°F	Low Limit	Auto Reset	3A Relay	Integral	DIN Rail	LV G6KZ 0032 2282 A	6, 8
146D-3K1D-4100	24 VAC	K t/c	0 to 1250°C	Low Limit	Auto Reset	3A Relay	Integral	DIN Rail	LV G6LZ 0000 1250 A	6, 8
146D-3K1D-4200	24 VAC	K t/c	32 to 2282°F	Low Limit	Auto Reset	3A Relay	Remote	DIN Rail	LV G5KZ 0032 2282 A	2, 6, 8
146D-3K1D-4200	24 VAC	K t/c	0 to 1250°C	Low Limit	Auto Reset	3A Relay	Remote	DIN Rail	LV G5LZ 0000 1250 A	2, 6, 8
146D-3K1F-1100	24 VAC	K t/c	32 to 2282°F	High Limit	Manual Reset	3A Relay	Integral	DIN Rail	LV G6KU 0032 2282 A	6
146D-3K1F-1200	24 VAC	K t/c	32 to 2282°F	High Limit	Manual Reset	3A Relay	Remote	DIN Rail	LV G5KU 0032 2282 A	2, 6
146D-3K1F-2100	24 VAC	K t/c	32 to 2282°F	Low Limit	Manual Reset	3A Relay	Integral	DIN Rail	LV G6KY 0032 2282 A	6
146D-3K1F-2200	24 VAC	K t/c	32 to 2282°F	Low Limit	Manual Reset	3A Relay	Remote	DIN Rail	LV G5KY 0032 2282 A	2, 6
146D-3K1F-3100	24 VAC	K t/c	32 to 2282°F	High Limit	Auto Reset	3A Relay	Integral	DIN Rail	LV G6KW 0032 2282 A	6
146D-3K1F-3200	24 VAC	K t/c	32 to 2282°F	High Limit	Auto Reset	3A Relay	Remote	DIN Rail	LV G5KW 0032 2282 A	2, 6
146D-3K1F-4100	24 VAC	K t/c	32 to 2282°F	Low Limit	Auto Reset	3A Relay	Integral	DIN Rail	LV G6KZ 0032 2282 A	6
146D-3K1F-4200	24 VAC	K t/c	32 to 2282°F	Low Limit	Auto Reset	3A Relay	Remote	DIN Rail	LV G5KZ 0032 2282 A	2, 6
146D-3K2C-1100	24 VAC	K t/c	16 to 149°C	High Limit	Manual Reset	3A Relay	Integral	DIN Rail	LV G6LU 0016 0149 A	6
146D-3K2C-1200	24 VAC	K t/c	16 to 149°C	High Limit	Manual Reset	3A Relay	Remote	DIN Rail	LV G5LU 0016 0149 A	2, 6
146D-3K2C-2100	24 VAC	K t/c	16 to 149°C	Low Limit	Manual Reset	3A Relay	Integral	DIN Rail	LV G6LY 0016 0149 A	6
146D-3K2C-2200	24 VAC	K t/c	16 to 149°C	Low Limit	Manual Reset	3A Relay	Remote	DIN Rail	LV G5LY 0016 0149 A	2, 6
146D-3K2C-3100	24 VAC	K t/c	16 to 149°C	High Limit	Auto Reset	3A Relay	Integral	DIN Rail	LV G6LW 0016 0149 A	6
146D-3K2C-3200	24 VAC	K t/c	16 to 149°C	High Limit	Auto Reset	3A Relay	Remote	DIN Rail	LV G5LW 0016 0149 A	2, 6
146D-3K2C-4100	24 VAC	K t/c	16 to 149°C	Low Limit	Auto Reset	3A Relay	Integral	DIN Rail	LV G6LZ 0016 0149 A	6
146D-3K2C-4200	24 VAC	K t/c	16 to 149°C	Low Limit	Auto Reset	3A Relay	Remote	DIN Rail	LV G5LZ 0016 0149 A	2, 6
146D-3K2D-1100	24 VAC	K t/c	60 to 300°F	High Limit	Manual Reset	3A Relay	Integral	DIN Rail	LV G6KU 0060 0300 A	6, 8
146D-3K2D-1100	24 VAC	K t/c	16 to 149°C	High Limit	Manual Reset	3A Relay	Integral	DIN Rail	LV G6LU 0016 0149 A	6, 8

Series 146

Series 146	Line Voltage	Input	Temp Range	Control Mode	Action	Output	Set Point	Mounting	Retrofit control	See Notes Below
146D-3K2D-1200	24 VAC	K t/c	60 to 300°F	High Limit	Manual Reset	3A Relay	Remote	DIN Rail	LV G5KU 0060 0300 A	2, 6, 8
146D-3K2D-1200	24 VAC	K t/c	16 to 149°C	High Limit	Manual Reset	3A Relay	Remote	DIN Rail	LV G5LU 0016 0149 A	2, 6, 8
146D-3K2D-2100	24 VAC	K t/c	60 to 300°F	Low Limit	Manual Reset	3A Relay	Integral	DIN Rail	LV G6KY 0060 0300 A	6, 8
146D-3K2D-2100	24 VAC	K t/c	16 to 149°C	Low Limit	Manual Reset	3A Relay	Integral	DIN Rail	LV G6LY 0016 0149 A	6, 8
146D-3K2D-2200	24 VAC	K t/c	60 to 300°F	Low Limit	Manual Reset	3A Relay	Remote	DIN Rail	LV G5KY 0060 0300 A	2, 6, 8
146D-3K2D-2200	24 VAC	K t/c	16 to 149°C	Low Limit	Manual Reset	3A Relay	Remote	DIN Rail	LV G5LY 0016 0149 A	2, 6, 8
146D-3K2D-3100	24 VAC	K t/c	60 to 300°F	High Limit	Auto Reset	3A Relay	Integral	DIN Rail	LV G6KW 0060 0300 A	6, 8
146D-3K2D-3100	24 VAC	K t/c	16 to 149°C	High Limit	Auto Reset	3A Relay	Integral	DIN Rail	LV G6LW 0016 0149 A	6, 8
146D-3K2D-3200	24 VAC	K t/c	60 to 300°F	High Limit	Auto Reset	3A Relay	Remote	DIN Rail	LV G5KW 0060 0300 A	2, 6, 8
146D-3K2D-3200	24 VAC	K t/c	16 to 149°C	High Limit	Auto Reset	3A Relay	Remote	DIN Rail	LV G5LW 0016 0149 A	2, 6, 8
146D-3K2D-4100	24 VAC	K t/c	60 to 300°F	Low Limit	Auto Reset	3A Relay	Integral	DIN Rail	LV G6KZ 0060 0300 A	6, 8
146D-3K2D-4100	24 VAC	K t/c	16 to 149°C	Low Limit	Auto Reset	3A Relay	Integral	DIN Rail	LV G6LZ 0016 0149 A	6, 8
146D-3K2D-4200	24 VAC	K t/c	60 to 300°F	Low Limit	Auto Reset	3A Relay	Remote	DIN Rail	LV G5KZ 0060 0300 A	2, 6, 8
146D-3K2D-4200	24 VAC	K t/c	16 to 149°C	Low Limit	Auto Reset	3A Relay	Remote	DIN Rail	LV G5LZ 0016 0149 A	2, 6, 8
146D-3K2F-1100	24 VAC	K t/c	60 to 300°F	High Limit	Manual Reset	3A Relay	Integral	DIN Rail	LV G6KU 0060 0300 A	6
146D-3K2F-1200	24 VAC	K t/c	60 to 300°F	High Limit	Manual Reset	3A Relay	Remote	DIN Rail	LV G5KU 0060 0300 A	2, 6
146D-3K2F-2100	24 VAC	K t/c	60 to 300°F	Low Limit	Manual Reset	3A Relay	Integral	DIN Rail	LV G6KY 0060 0300 A	6
146D-3K2F-2200	24 VAC	K t/c	60 to 300°F	Low Limit	Manual Reset	3A Relay	Remote	DIN Rail	LV G5KY 0060 0300 A	2, 6
146D-3K2F-3100	24 VAC	K t/c	60 to 300°F	High Limit	Auto Reset	3A Relay	Integral	DIN Rail	LV G6KW 0060 0300 A	6
146D-3K2F-3200	24 VAC	K t/c	60 to 300°F	High Limit	Auto Reset	3A Relay	Remote	DIN Rail	LV G5KW 0060 0300 A	2, 6
146D-3K2F-4100	24 VAC	K t/c	60 to 300°F	Low Limit	Auto Reset	3A Relay	Integral	DIN Rail	LV G6KZ 0060 0300 A	6
146D-3K2F-4200	24 VAC	K t/c	60 to 300°F	Low Limit	Auto Reset	3A Relay	Remote	DIN Rail	LV G5KZ 0060 0300 A	2, 6
146D-3K3C-1100	24 VAC	K t/c	0 to 600°C	High Limit	Manual Reset	3A Relay	Integral	DIN Rail	LV G6LU 0000 0600 A	6
146D-3K3C-1200	24 VAC	K t/c	0 to 600°C	High Limit	Manual Reset	3A Relay	Remote	DIN Rail	LV G5LU 0000 0600 A	2, 6
146D-3K3C-2100	24 VAC	K t/c	0 to 600°C	Low Limit	Manual Reset	3A Relay	Integral	DIN Rail	LV G6LY 0000 0600 A	6
146D-3K3C-2200	24 VAC	K t/c	0 to 600°C	Low Limit	Manual Reset	3A Relay	Remote	DIN Rail	LV G5LY 0000 0600 A	2, 6
146D-3K3C-3100	24 VAC	K t/c	0 to 600°C	High Limit	Auto Reset	3A Relay	Integral	DIN Rail	LV G6LW 0000 0600 A	6
146D-3K3C-3200	24 VAC	K t/c	0 to 600°C	High Limit	Auto Reset	3A Relay	Remote	DIN Rail	LV G5LW 0000 0600 A	2, 6
146D-3K3C-4100	24 VAC	K t/c	0 to 600°C	Low Limit	Auto Reset	3A Relay	Integral	DIN Rail	LV G6LZ 0000 0600 A	6
146D-3K3C-4200	24 VAC	K t/c	0 to 600°C	Low Limit	Auto Reset	3A Relay	Remote	DIN Rail	LV G5LZ 0000 0600 A	2, 6
146D-3K3D-1100	24 VAC	K t/c	32 to 1112°F	High Limit	Manual Reset	3A Relay	Integral	DIN Rail	LV G6KU 0032 1112 A	6, 8
146D-3K3D-1100	24 VAC	K t/c	0 to 600°C	High Limit	Manual Reset	3A Relay	Integral	DIN Rail	LV G6LU 0000 0600 A	6, 8
146D-3K3D-1200	24 VAC	K t/c	32 to 1112°F	High Limit	Manual Reset	3A Relay	Remote	DIN Rail	LV G5KU 0032 1112 A	2, 6, 8
146D-3K3D-1200	24 VAC	K t/c	0 to 600°C	High Limit	Manual Reset	3A Relay	Remote	DIN Rail	LV G5LU 0000 0600 A	2, 6, 8
146D-3K3D-2100	24 VAC	K t/c	32 to 1112°F	Low Limit	Manual Reset	3A Relay	Integral	DIN Rail	LV G6KY 0032 1112 A	6, 8
146D-3K3D-2100	24 VAC	K t/c	0 to 600°C	Low Limit	Manual Reset	3A Relay	Integral	DIN Rail	LV G6LY 0000 0600 A	6, 8
146D-3K3D-2200	24 VAC	K t/c	32 to 1112°F	Low Limit	Manual Reset	3A Relay	Remote	DIN Rail	LV G5KY 0032 1112 A	2, 6, 8
146D-3K3D-2200	24 VAC	K t/c	0 to 600°C	Low Limit	Manual Reset	3A Relay	Remote	DIN Rail	LV G5LY 0000 0600 A	2, 6, 8
146D-3K3D-3100	24 VAC	K t/c	32 to 1112°F	High Limit	Auto Reset	3A Relay	Integral	DIN Rail	LV G6KW 0032 1112 A	6, 8
146D-3K3D-3100	24 VAC	K t/c	0 to 600°C	High Limit	Auto Reset	3A Relay	Integral	DIN Rail	LV G6LW 0000 0600 A	6, 8
146D-3K3D-3200	24 VAC	K t/c	32 to 1112°F	High Limit	Auto Reset	3A Relay	Remote	DIN Rail	LV G5KW 0032 1112 A	2, 6, 8

Series 146

<u>Series 146</u>	Line Voltage	Input	Temp Range	Control Mode	Action	Output	Set Point	Mounting	Retrofit control	See Notes Below
146D-3K3D-3200	24 VAC	K t/c	0 to 600°C	High Limit	Auto Reset	3A Relay	Remote	DIN Rail	LV G5LW 0000 0600 A	2, 6, 8
146D-3K3D-4100	24 VAC	K t/c	32 to 1112°F	Low Limit	Auto Reset	3A Relay	Integral	DIN Rail	LV G6KZ 0032 1112 A	6, 8
146D-3K3D-4100	24 VAC	K t/c	0 to 600°C	Low Limit	Auto Reset	3A Relay	Integral	DIN Rail	LV G6LZ 0000 0600 A	6, 8
146D-3K3D-4200	24 VAC	K t/c	32 to 1112°F	Low Limit	Auto Reset	3A Relay	Remote	DIN Rail	LV G5KZ 0032 1112 A	2, 6, 8
146D-3K3D-4200	24 VAC	K t/c	0 to 600°C	Low Limit	Auto Reset	3A Relay	Remote	DIN Rail	LV G5LZ 0000 0600 A	2, 6, 8
146D-3K3F-1100	24 VAC	K t/c	32 to 1112°F	High Limit	Manual Reset	3A Relay	Integral	DIN Rail	LV G6KU 0032 1112 A	6
146D-3K3F-1200	24 VAC	K t/c	32 to 1112°F	High Limit	Manual Reset	3A Relay	Remote	DIN Rail	LV G5KU 0032 1112 A	2, 6
146D-3K3F-2100	24 VAC	K t/c	32 to 1112°F	Low Limit	Manual Reset	3A Relay	Integral	DIN Rail	LV G6KY 0032 1112 A	6
146D-3K3F-2200	24 VAC	K t/c	32 to 1112°F	Low Limit	Manual Reset	3A Relay	Remote	DIN Rail	LV G5KY 0032 1112 A	2, 6
146D-3K3F-3100	24 VAC	K t/c	32 to 1112°F	High Limit	Auto Reset	3A Relay	Integral	DIN Rail	LV G6KW 0032 1112 A	6
146D-3K3F-3200	24 VAC	K t/c	32 to 1112°F	High Limit	Auto Reset	3A Relay	Remote	DIN Rail	LV G5KW 0032 1112 A	2, 6
146D-3K3F-4100	24 VAC	K t/c	32 to 1112°F	Low Limit	Auto Reset	3A Relay	Integral	DIN Rail	LV G6KZ 0032 1112 A	6
146D-3K3F-4200	24 VAC	K t/c	32 to 1112°F	Low Limit	Auto Reset	3A Relay	Remote	DIN Rail	LV G5KZ 0032 1112 A	2, 6
146D-3K4C-1100	24 VAC	K t/c	0 to 66°C	High Limit	Manual Reset	3A Relay	Integral	DIN Rail	LV G6LU 0000 0066 A	6
146D-3K4C-1200	24 VAC	K t/c	0 to 66°C	High Limit	Manual Reset	3A Relay	Remote	DIN Rail	LV G5LU 0000 0066 A	2, 6
146D-3K4C-2100	24 VAC	K t/c	0 to 66°C	Low Limit	Manual Reset	3A Relay	Integral	DIN Rail	LV G6LY 0000 0066 A	6
146D-3K4C-2200	24 VAC	K t/c	0 to 66°C	Low Limit	Manual Reset	3A Relay	Remote	DIN Rail	LV G5LY 0000 0066 A	2, 6
146D-3K4C-3100	24 VAC	K t/c	0 to 66°C	High Limit	Auto Reset	3A Relay	Integral	DIN Rail	LV G6LW 0000 0066 A	6
146D-3K4C-3200	24 VAC	K t/c	0 to 66°C	High Limit	Auto Reset	3A Relay	Remote	DIN Rail	LV G5LW 0000 0066 A	2, 6
146D-3K4C-4100	24 VAC	K t/c	0 to 66°C	Low Limit	Auto Reset	3A Relay	Integral	DIN Rail	LV G6LZ 0000 0066 A	6
146D-3K4C-4200	24 VAC	K t/c	0 to 66°C	Low Limit	Auto Reset	3A Relay	Remote	DIN Rail	LV G5LZ 0000 0066 A	2, 6
146D-3K4D-1100	24 VAC	K t/c	32 to 150°F	High Limit	Manual Reset	3A Relay	Integral	DIN Rail	LV G6KU 0032 0150 A	6, 8
146D-3K4D-1100	24 VAC	K t/c	0 to 66°C	High Limit	Manual Reset	3A Relay	Integral	DIN Rail	LV G6LU 0000 0066 A	6, 8
146D-3K4D-1200	24 VAC	K t/c	32 to 150°F	High Limit	Manual Reset	3A Relay	Remote	DIN Rail	LV G5KU 0032 0150 A	2, 6, 8
146D-3K4D-1200	24 VAC	K t/c	0 to 66°C	High Limit	Manual Reset	3A Relay	Remote	DIN Rail	LV G5LU 0000 0066 A	2, 6, 8
146D-3K4D-2100	24 VAC	K t/c	32 to 150°F	Low Limit	Manual Reset	3A Relay	Integral	DIN Rail	LV G6KY 0032 0150 A	6, 8
146D-3K4D-2100	24 VAC	K t/c	0 to 66°C	Low Limit	Manual Reset	3A Relay	Integral	DIN Rail	LV G6LY 0000 0066 A	6, 8
146D-3K4D-2200	24 VAC	K t/c	32 to 150°F	Low Limit	Manual Reset	3A Relay	Remote	DIN Rail	LV G5KY 0032 0150 A	2, 6, 8
146D-3K4D-2200	24 VAC	K t/c	0 to 66°C	Low Limit	Manual Reset	3A Relay	Remote	DIN Rail	LV G5LY 0000 0066 A	2, 6, 8
146D-3K4D-3100	24 VAC	K t/c	32 to 150°F	High Limit	Auto Reset	3A Relay	Integral	DIN Rail	LV G6KW 0032 0150 A	6, 8
146D-3K4D-3100	24 VAC	K t/c	0 to 66°C	High Limit	Auto Reset	3A Relay	Integral	DIN Rail	LV G6LW 0000 0066 A	6, 8
146D-3K4D-3200	24 VAC	K t/c	32 to 150°F	High Limit	Auto Reset	3A Relay	Remote	DIN Rail	LV G5KW 0032 0150 A	2, 6, 8
146D-3K4D-3200	24 VAC	K t/c	0 to 66°C	High Limit	Auto Reset	3A Relay	Remote	DIN Rail	LV G5LW 0000 0066 A	2, 6, 8
146D-3K4D-4100	24 VAC	K t/c	32 to 150°F	Low Limit	Auto Reset	3A Relay	Integral	DIN Rail	LV G6KZ 0032 0150 A	6, 8
146D-3K4D-4100	24 VAC	K t/c	0 to 66°C	Low Limit	Auto Reset	3A Relay	Integral	DIN Rail	LV G6LZ 0000 0066 A	6, 8
146D-3K4D-4200	24 VAC	K t/c	0 to 66°C	Low Limit	Auto Reset	3A Relay	Remote	DIN Rail	LV G5LZ 0000 0066 A	2, 6, 8
146D-3K4D-4200	24 VAC	K t/c	32 to 150°F	Low Limit	Auto Reset	3A Relay	Remote	DIN Rail	LV G6KZ 0032 0150 A	6, 8
146D-3K4F-1100	24 VAC	K t/c	32 to 150°F	High Limit	Manual Reset	3A Relay	Integral	DIN Rail	LV G6KU 0032 0150 A	6
146D-3K4F-1200	24 VAC	K t/c	32 to 150°F	High Limit	Manual Reset	3A Relay	Remote	DIN Rail	LV G5KU 0032 0150 A	2, 6
146D-3K4F-2100	24 VAC	K t/c	32 to 150°F	Low Limit	Manual Reset	3A Relay	Integral	DIN Rail	LV G6KY 0032 0150 A	6
146D-3K4F-2200	24 VAC	K t/c	32 to 150°F	Low Limit	Manual Reset	3A Relay	Remote	DIN Rail	LV G5KY 0032 0150 A	2, 6

Series 146

Series 146	Line Voltage	Input	Temp Range	Control Mode	Action	Output	Set Point	Mounting	Retrofit control	See Notes Below
146D-3K4F-3100	24 VAC	K t/c	32 to 150°F	High Limit	Auto Reset	3A Relay	Integral	DIN Rail	LV G6KW 0032 0150 A	6
146D-3K4F-3200	24 VAC	K t/c	32 to 150°F	High Limit	Auto Reset	3A Relay	Remote	DIN Rail	LV G5KW 0032 0150 A	2, 6
146D-3K4F-4100	24 VAC	K t/c	32 to 150°F	Low Limit	Auto Reset	3A Relay	Integral	DIN Rail	LV G6KZ 0032 0150 A	6
146D-3K4F-4200	24 VAC	K t/c	32 to 150°F	Low Limit	Auto Reset	3A Relay	Remote	DIN Rail	LV G6KZ 0032 0150 A	6
146D-3K5C-1100	24 VAC	K t/c	-17 to 315°C	High Limit	Manual Reset	3A Relay	Integral	DIN Rail	LV G6LU -017 0315 A	6
146D-3K5C-1200	24 VAC	K t/c	-17 to 315°C	High Limit	Manual Reset	3A Relay	Remote	DIN Rail	LV G5LU -017 0315 A	2, 6
146D-3K5C-2100	24 VAC	K t/c	-17 to 315°C	Low Limit	Manual Reset	3A Relay	Integral	DIN Rail	LV G6LY -017 0315 A	6
146D-3K5C-2200	24 VAC	K t/c	-17 to 315°C	Low Limit	Manual Reset	3A Relay	Remote	DIN Rail	LV G5LY -017 0315 A	2, 6
146D-3K5C-3100	24 VAC	K t/c	-17 to 315°C	High Limit	Auto Reset	3A Relay	Integral	DIN Rail	LV G6LW -017 0315 A	6
146D-3K5C-3200	24 VAC	K t/c	-17 to 315°C	High Limit	Auto Reset	3A Relay	Remote	DIN Rail	LV G5LW -017 0315 A	2, 6
146D-3K5C-4100	24 VAC	K t/c	-17 to 315°C	Low Limit	Auto Reset	3A Relay	Integral	DIN Rail	LV G6LZ -017 0315 A	6
146D-3K5C-4200	24 VAC	K t/c	-17 to 315°C	Low Limit	Auto Reset	3A Relay	Remote	DIN Rail	LV G5LZ -017 0315 A	2, 6
146D-3K5D-1100	24 VAC	K t/c	0 to 600°F	High Limit	Manual Reset	3A Relay	Integral	DIN Rail	LV G6KU 0000 0600 A	6, 8
146D-3K5D-1100	24 VAC	K t/c	-17 to 315°C	High Limit	Manual Reset	3A Relay	Integral	DIN Rail	LV G6LU -017 0315 A	6, 8
146D-3K5D-1200	24 VAC	K t/c	0 to 600°F	High Limit	Manual Reset	3A Relay	Remote	DIN Rail	LV G5KU 0000 0600 A	2, 6, 8
146D-3K5D-1200	24 VAC	K t/c	-17 to 315°C	High Limit	Manual Reset	3A Relay	Remote	DIN Rail	LV G5LU -017 0315 A	2, 6, 8
146D-3K5D-2100	24 VAC	K t/c	0 to 600°F	Low Limit	Manual Reset	3A Relay	Integral	DIN Rail	LV G6KY 0000 0600 A	6, 8
146D-3K5D-2100	24 VAC	K t/c	-17 to 315°C	Low Limit	Manual Reset	3A Relay	Integral	DIN Rail	LV G6LY -017 0315 A	6, 8
146D-3K5D-2200	24 VAC	K t/c	0 to 600°F	Low Limit	Manual Reset	3A Relay	Remote	DIN Rail	LV G5KY 0000 0600 A	2, 6, 8
146D-3K5D-2200	24 VAC	K t/c	-17 to 315°C	Low Limit	Manual Reset	3A Relay	Remote	DIN Rail	LV G5LY -017 0315 A	2, 6, 8
146D-3K5D-3100	24 VAC	K t/c	0 to 600°F	High Limit	Auto Reset	3A Relay	Integral	DIN Rail	LV G6KW 0000 0600 A	6, 8
146D-3K5D-3100	24 VAC	K t/c	-17 to 315°C	High Limit	Auto Reset	3A Relay	Integral	DIN Rail	LV G6LW -017 0315 A	6, 8
146D-3K5D-3200	24 VAC	K t/c	0 to 600°F	High Limit	Auto Reset	3A Relay	Remote	DIN Rail	LV G5KW 0000 0600 A	2, 6, 8
146D-3K5D-3200	24 VAC	K t/c	-17 to 315°C	High Limit	Auto Reset	3A Relay	Remote	DIN Rail	LV G5LW -017 0315 A	2, 6, 8
146D-3K5D-4100	24 VAC	K t/c	0 to 600°F	Low Limit	Auto Reset	3A Relay	Integral	DIN Rail	LV G6KZ 0000 0600 A	6, 8
146D-3K5D-4100	24 VAC	K t/c	-17 to 315°C	Low Limit	Auto Reset	3A Relay	Integral	DIN Rail	LV G6LZ -017 0315 A	6, 8
146D-3K5D-4200	24 VAC	K t/c	0 to 600°F	Low Limit	Auto Reset	3A Relay	Remote	DIN Rail	LV G5KZ 0000 0600 A	2, 6, 8
146D-3K5D-4200	24 VAC	K t/c	-17 to 315°C	Low Limit	Auto Reset	3A Relay	Remote	DIN Rail	LV G5LZ -017 0315 A	2, 6, 8
146D-3K5F-1100	24 VAC	K t/c	0 to 600°F	High Limit	Manual Reset	3A Relay	Integral	DIN Rail	LV G6KU 0000 0600 A	6
146D-3K5F-1200	24 VAC	K t/c	0 to 600°F	High Limit	Manual Reset	3A Relay	Remote	DIN Rail	LV G5KU 0000 0600 A	2, 6
146D-3K5F-2100	24 VAC	K t/c	0 to 600°F	Low Limit	Manual Reset	3A Relay	Integral	DIN Rail	LV G6KY 0000 0600 A	6
146D-3K5F-2200	24 VAC	K t/c	0 to 600°F	Low Limit	Manual Reset	3A Relay	Remote	DIN Rail	LV G5KY 0000 0600 A	2, 6
146D-3K5F-3100	24 VAC	K t/c	0 to 600°F	High Limit	Auto Reset	3A Relay	Integral	DIN Rail	LV G6KW 0000 0600 A	6
146D-3K5F-3200	24 VAC	K t/c	0 to 600°F	High Limit	Auto Reset	3A Relay	Remote	DIN Rail	LV G5KW 0000 0600 A	2, 6
146D-3K5F-4100	24 VAC	K t/c	0 to 600°F	Low Limit	Auto Reset	3A Relay	Integral	DIN Rail	LV G6KZ 0000 0600 A	6
146D-3K5F-4200	24 VAC	K t/c	0 to 600°F	Low Limit	Auto Reset	3A Relay	Remote	DIN Rail	LV G5KZ 0000 0600 A	2, 6
146D-3P1C-1100	24 VAC	100 ohm DIN	-73 to 600°C	High Limit	Manual Reset	3A Relay	Integral	DIN Rail	LV G6RU -073 0600 A	6
146D-3P1C-1200	24 VAC	100 ohm DIN	-73 to 600°C	High Limit	Manual Reset	3A Relay	Remote	DIN Rail	LV G5RU -073 0600 A	2, 6
146D-3P1C-2100	24 VAC	100 ohm DIN	-73 to 600°C	Low Limit	Manual Reset	3A Relay	Integral	DIN Rail	LV G6RY -073 0600 A	6
146D-3P1C-2200	24 VAC	100 ohm DIN	-73 to 600°C	Low Limit	Manual Reset	3A Relay	Remote	DIN Rail	LV G5RY -073 0600 A	2, 6
146D-3P1C-3100	24 VAC	100 ohm DIN	-73 to 600°C	High Limit	Auto Reset	3A Relay	Integral	DIN Rail	LV G6RW -073 0600 A	6

Series 146

Series 146	Line Voltage	Input	Temp Range	Control Mode	Action	Output	Set Point	Mounting	Retrofit control	See Notes Below
146D-3P1C-3200	24 VAC	100 ohm DIN	-73 to 600°C	High Limit	Auto Reset	3A Relay	Remote	DIN Rail	LV G5RW -073 0600 A	2, 6
146D-3P1C-4100	24 VAC	100 ohm DIN	-73 to 600°C	Low Limit	Auto Reset	3A Relay	Integral	DIN Rail	LV G6RZ -073 0600 A	6
146D-3P1C-4200	24 VAC	100 ohm DIN	-73 to 600°C	Low Limit	Auto Reset	3A Relay	Remote	DIN Rail	LV G5RZ -073 0600 A	2, 6
146D-3P1D-1100	24 VAC	100 ohm DIN	-73 to 600°C	High Limit	Manual Reset	3A Relay	Integral	DIN Rail	LV G6RU -073 0600 A	6, 8
146D-3P1D-1100	24 VAC	100 ohm DIN	-100 to 1112 °F	High Limit	Manual Reset	3A Relay	Integral	DIN Rail	LV G6PU -100 1112 A	6, 8
146D-3P1D-1200	24 VAC	100 ohm DIN	-73 to 600°C	High Limit	Manual Reset	3A Relay	Remote	DIN Rail	LV G5RU -073 0600 A	2, 6, 8
146D-3P1D-1200	24 VAC	100 ohm DIN	-100 to 1112 °F	High Limit	Manual Reset	3A Relay	Remote	DIN Rail	LV G5PU -100 1112 A	2, 6, 8
146D-3P1D-2100	24 VAC	100 ohm DIN	-73 to 600°C	Low Limit	Manual Reset	3A Relay	Integral	DIN Rail	LV G6RY -073 0600 A	6, 8
146D-3P1D-2100	24 VAC	100 ohm DIN	-100 to 1112 °F	Low Limit	Manual Reset	3A Relay	Integral	DIN Rail	LV G6PY -100 1112 A	6, 8
146D-3P1D-2200	24 VAC	100 ohm DIN	-73 to 600°C	Low Limit	Manual Reset	3A Relay	Remote	DIN Rail	LV G5RY -073 0600 A	2, 6, 8
146D-3P1D-2200	24 VAC	100 ohm DIN	-100 to 1112 °F	Low Limit	Manual Reset	3A Relay	Remote	DIN Rail	LV G5PY -100 1112 A	2, 6, 8
146D-3P1D-3100	24 VAC	100 ohm DIN	-73 to 600°C	High Limit	Auto Reset	3A Relay	Integral	DIN Rail	LV G6RW -073 0600 A	6, 8
146D-3P1D-3100	24 VAC	100 ohm DIN	-100 to 1112 °F	High Limit	Auto Reset	3A Relay	Integral	DIN Rail	LV G6PW -100 1112 A	6, 8
146D-3P1D-3200	24 VAC	100 ohm DIN	-73 to 600°C	High Limit	Auto Reset	3A Relay	Remote	DIN Rail	LV G5RW -073 0600 A	2, 6, 8
146D-3P1D-3200	24 VAC	100 ohm DIN	-100 to 1112 °F	High Limit	Auto Reset	3A Relay	Remote	DIN Rail	LV G5PW -100 1112 A	2, 6, 8
146D-3P1D-4100	24 VAC	100 ohm DIN	-73 to 600°C	Low Limit	Auto Reset	3A Relay	Integral	DIN Rail	LV G6RZ -073 0600 A	6, 8
146D-3P1D-4100	24 VAC	100 ohm DIN	-100 to 1112 °F	Low Limit	Auto Reset	3A Relay	Integral	DIN Rail	LV G6PZ -100 1112 A	6, 8
146D-3P1D-4200	24 VAC	100 ohm DIN	-73 to 600°C	Low Limit	Auto Reset	3A Relay	Remote	DIN Rail	LV G5RZ -073 0600 A	2, 6, 8
146D-3P1D-4200	24 VAC	100 ohm DIN	-100 to 1112 °F	Low Limit	Auto Reset	3A Relay	Remote	DIN Rail	LV G5PZ -100 1112 A	2, 6, 8
146D-3P1F-1100	24 VAC	100 ohm DIN	-100 to 1112 °F	High Limit	Manual Reset	3A Relay	Integral	DIN Rail	LV G6PU -100 1112 A	6
146D-3P1F-1200	24 VAC	100 ohm DIN	-100 to 1112 °F	High Limit	Manual Reset	3A Relay	Remote	DIN Rail	LV G5PU -100 1112 A	2, 6
146D-3P1F-2100	24 VAC	100 ohm DIN	-100 to 1112 °F	Low Limit	Manual Reset	3A Relay	Integral	DIN Rail	LV G6PY -100 1112 A	6
146D-3P1F-2200	24 VAC	100 ohm DIN	-100 to 1112 °F	Low Limit	Manual Reset	3A Relay	Remote	DIN Rail	LV G5PY -100 1112 A	2, 6
146D-3P1F-3100	24 VAC	100 ohm DIN	-100 to 1112 °F	High Limit	Auto Reset	3A Relay	Integral	DIN Rail	LV G6PW -100 1112 A	6
146D-3P1F-3200	24 VAC	100 ohm DIN	-100 to 1112 °F	High Limit	Auto Reset	3A Relay	Remote	DIN Rail	LV G5PW -100 1112 A	2, 6
146D-3P1F-4100	24 VAC	100 ohm DIN	-100 to 1112 °F	Low Limit	Auto Reset	3A Relay	Integral	DIN Rail	LV G6PZ -100 1112 A	6
146D-3P1F-4200	24 VAC	100 ohm DIN	-100 to 1112 °F	Low Limit	Auto Reset	3A Relay	Remote	DIN Rail	LV G5PZ -100 1112 A	2, 6
146D-3T1C-1100	24 VAC	T t/c	-200 to 350°C	High Limit	Manual Reset	3A Relay	Integral	DIN Rail	LV G6NU -200 0350 A	6
146D-3T1C-1200	24 VAC	T t/c	-200 to 350°C	High Limit	Manual Reset	3A Relay	Remote	DIN Rail	LV G5NU -200 0350 A	2, 6
146D-3T1C-2100	24 VAC	T t/c	-200 to 350°C	Low Limit	Manual Reset	3A Relay	Integral	DIN Rail	LV G6NY -200 0350 A	6
146D-3T1C-2200	24 VAC	T t/c	-200 to 350°C	Low Limit	Manual Reset	3A Relay	Remote	DIN Rail	LV G5NY -200 0350 A	2, 6
146D-3T1C-3100	24 VAC	T t/c	-200 to 350°C	High Limit	Auto Reset	3A Relay	Integral	DIN Rail	LV G6NW -200 0350 A	6
146D-3T1C-3200	24 VAC	T t/c	-200 to 350°C	High Limit	Auto Reset	3A Relay	Remote	DIN Rail	LV G5NW -200 0350 A	2, 6
146D-3T1C-4100	24 VAC	T t/c	-200 to 350°C	Low Limit	Auto Reset	3A Relay	Integral	DIN Rail	LV G6NZ -200 0350 A	6
146D-3T1C-4200	24 VAC	T t/c	-200 to 350°C	Low Limit	Auto Reset	3A Relay	Remote	DIN Rail	LV G5NZ -200 0350 A	2, 6
146D-3T1D-1100	24 VAC	T t/c	-328 to 662°F	High Limit	Manual Reset	3A Relay	Integral	DIN Rail	LV G6MU -328 0662 A	6, 8
146D-3T1D-1100	24 VAC	T t/c	-200 to 350°C	High Limit	Manual Reset	3A Relay	Integral	DIN Rail	LV G6NU -200 0350 A	6, 8
146D-3T1D-1200	24 VAC	T t/c	-328 to 662°F	High Limit	Manual Reset	3A Relay	Remote	DIN Rail	LV G5MU -328 0662 A	2, 6, 8
146D-3T1D-1200	24 VAC	T t/c	-200 to 350°C	High Limit	Manual Reset	3A Relay	Remote	DIN Rail	LV G5NU -200 0350 A	2, 6, 8
146D-3T1D-2100	24 VAC	T t/c	-328 to 662°F	Low Limit	Manual Reset	3A Relay	Integral	DIN Rail	LV G6MY -328 0662 A	6, 8
146D-3T1D-2100	24 VAC	T t/c	-200 to 350°C	Low Limit	Manual Reset	3A Relay	Integral	DIN Rail	LV G6NY -200 0350 A	6, 8

Series 146

Series 146	Line Voltage	Input	Temp Range	Control Mode	Action	Output	Set Point	Mounting	Retrofit control	See Notes Below
146D-3T1D-2200	24 VAC	T t/c	-328 to 662°F	Low Limit	Manual Reset	3A Relay	Remote	DIN Rail	LV G5MY -328 0662 A	2, 6, 8
146D-3T1D-2200	24 VAC	T t/c	-200 to 350°C	Low Limit	Manual Reset	3A Relay	Remote	DIN Rail	LV G5NY -200 0350 A	2, 6, 8
146D-3T1D-3100	24 VAC	T t/c	-328 to 662°F	High Limit	Auto Reset	3A Relay	Integral	DIN Rail	LV G6MW -328 0662 A	6, 8
146D-3T1D-3100	24 VAC	T t/c	-200 to 350°C	High Limit	Auto Reset	3A Relay	Integral	DIN Rail	LV G6NW -200 0350 A	6, 8
146D-3T1D-3200	24 VAC	T t/c	-328 to 662°F	High Limit	Auto Reset	3A Relay	Remote	DIN Rail	LV G5MW -328 0662 A	2, 6, 8
146D-3T1D-3200	24 VAC	T t/c	-200 to 350°C	High Limit	Auto Reset	3A Relay	Remote	DIN Rail	LV G5NW -200 0350 A	2, 6, 8
146D-3T1D-4100	24 VAC	T t/c	-328 to 662°F	Low Limit	Auto Reset	3A Relay	Integral	DIN Rail	LV G6MZ -328 0662 A	6, 8
146D-3T1D-4100	24 VAC	T t/c	-200 to 350°C	Low Limit	Auto Reset	3A Relay	Integral	DIN Rail	LV G6NZ -200 0350 A	6, 8
146D-3T1D-4200	24 VAC	T t/c	-328 to 662°F	Low Limit	Auto Reset	3A Relay	Remote	DIN Rail	LV G5MZ -328 0662 A	2, 6, 8
146D-3T1D-4200	24 VAC	T t/c	-200 to 350°C	Low Limit	Auto Reset	3A Relay	Remote	DIN Rail	LV G5NZ -200 0350 A	2, 6, 8
146D-3T1F-1100	24 VAC	T t/c	-328 to 662°F	High Limit	Manual Reset	3A Relay	Integral	DIN Rail	LV G6MU -328 0662 A	6
146D-3T1F-1200	24 VAC	T t/c	-328 to 662°F	High Limit	Manual Reset	3A Relay	Remote	DIN Rail	LV G5MU -328 0662 A	2, 6
146D-3T1F-2100	24 VAC	T t/c	-328 to 662°F	Low Limit	Manual Reset	3A Relay	Integral	DIN Rail	LV G6MY -328 0662 A	6
146D-3T1F-2200	24 VAC	T t/c	-328 to 662°F	Low Limit	Manual Reset	3A Relay	Remote	DIN Rail	LV G5MY -328 0662 A	2, 6
146D-3T1F-3100	24 VAC	T t/c	-328 to 662°F	High Limit	Auto Reset	3A Relay	Integral	DIN Rail	LV G6MW -328 0662 A	6
146D-3T1F-3200	24 VAC	T t/c	-328 to 662°F	High Limit	Auto Reset	3A Relay	Remote	DIN Rail	LV G5MW -328 0662 A	2, 6
146D-3T1F-4100	24 VAC	T t/c	-328 to 662°F	Low Limit	Auto Reset	3A Relay	Integral	DIN Rail	LV G6MZ -328 0662 A	6
146D-3T1F-4200	24 VAC	T t/c	-328 to 662°F	Low Limit	Auto Reset	3A Relay	Remote	DIN Rail	LV G5MZ -328 0662 A	2, 6
146E-1101-1000	120 VAC	100 ohm DIN	-73 to 600°C	High Limit	Manual Reset	8A Relay	Integral	DIN Rail	LV C6RU -073 0600 A	6, 8
146E-1101-1000	120 VAC	100 ohm DIN	-100 to 1112°F	High Limit	Manual Reset	8A Relay	Integral	DIN Rail	LV C6PU -100 1112 A	6, 8
146E-1101-1N00	120 VAC	100 ohm DIN	-73 to 600°C	High Limit	Manual Reset	8A Relay	Remote	DIN Rail	LV C5RU -073 0600 A	2, 6, 8
146E-1101-1N00	120 VAC	100 ohm DIN	-100 to 1112°F	High Limit	Manual Reset	8A Relay	Remote	DIN Rail	LV C5PU -100 1112 A	2, 6, 8
146E-1101-1P00	120 VAC	100 ohm DIN	-73 to 600°C	High Limit	Manual Reset	8A Relay	Remote	DIN Rail	LV C5RU -073 0600 A	2, 6, 8
146E-1101-1P00	120 VAC	100 ohm DIN	-100 to 1112°F	High Limit	Manual Reset	8A Relay	Remote	DIN Rail	LV C5PU -100 1112 A	2, 6, 8
146E-1101-1S00	120 VAC	100 ohm DIN	-73 to 600°C	High Limit	Manual Reset	8A Relay	Remote	DIN Rail	LV C5RU -073 0600 A	2, 6, 8
146E-1101-1S00	120 VAC	100 ohm DIN	-100 to 1112°F	High Limit	Manual Reset	8A Relay	Remote	DIN Rail	LV C5PU -100 1112 A	2, 6, 8
146E-1101-2000	120 VAC	100 ohm DIN	-73 to 600°C	Low Limit	Manual Reset	8A Relay	Integral	DIN Rail	LV C6RY -073 0600 A	6, 8
146E-1101-2000	120 VAC	100 ohm DIN	-100 to 1112°F	Low Limit	Manual Reset	8A Relay	Integral	DIN Rail	LV C6PY -100 1112 A	6, 8
146E-1101-2N00	120 VAC	100 ohm DIN	-73 to 600°C	Low Limit	Manual Reset	8A Relay	Remote	DIN Rail	LV C5RY -073 0600 A	2, 6, 8
146E-1101-2N00	120 VAC	100 ohm DIN	-100 to 1112°F	Low Limit	Manual Reset	8A Relay	Remote	DIN Rail	LV C5PY -100 1112 A	2, 6, 8
146E-1101-2P00	120 VAC	100 ohm DIN	-73 to 600°C	Low Limit	Manual Reset	8A Relay	Remote	DIN Rail	LV C5RY -073 0600 A	2, 6, 8
146E-1101-2P00	120 VAC	100 ohm DIN	-100 to 1112°F	Low Limit	Manual Reset	8A Relay	Remote	DIN Rail	LV C5PY -100 1112 A	2, 6, 8
146E-1101-2S00	120 VAC	100 ohm DIN	-73 to 600°C	Low Limit	Manual Reset	8A Relay	Remote	DIN Rail	LV C5RY -073 0600 A	2, 6, 8
146E-1101-2S00	120 VAC	100 ohm DIN	-100 to 1112°F	Low Limit	Manual Reset	8A Relay	Remote	DIN Rail	LV C5PY -100 1112 A	2, 6, 8
146E-1101-3000	120 VAC	100 ohm DIN	-73 to 600°C	High Limit	Auto Reset	8A Relay	Integral	DIN Rail	LV C6RW -073 0600 A	6, 8
146E-1101-3000	120 VAC	100 ohm DIN	-100 to 1112°F	High Limit	Auto Reset	8A Relay	Integral	DIN Rail	LV C6PW -100 1112 A	6, 8
146E-1101-3N00	120 VAC	100 ohm DIN	-73 to 600°C	High Limit	Auto Reset	8A Relay	Remote	DIN Rail	LV C5RW -073 0600 A	2, 6, 8
146E-1101-3N00	120 VAC	100 ohm DIN	-100 to 1112°F	High Limit	Auto Reset	8A Relay	Remote	DIN Rail	LV C5PW -100 1112 A	2, 6, 8
146E-1101-3P00	120 VAC	100 ohm DIN	-73 to 600°C	High Limit	Auto Reset	8A Relay	Remote	DIN Rail	LV C5RW -073 0600 A	2, 6, 8
146E-1101-3P00	120 VAC	100 ohm DIN	-100 to 1112°F	High Limit	Auto Reset	8A Relay	Remote	DIN Rail	LV C5PW -100 1112 A	2, 6, 8
146E-1101-3S00	120 VAC	100 ohm DIN	-73 to 600°C	High Limit	Auto Reset	8A Relay	Remote	DIN Rail	LV C5RW -073 0600 A	2, 6, 8

Series 146

Series 146	Line Voltage	Input	Temp Range	Control Mode	Action	Output	Set Point	Mounting	Retrofit control	See Notes Below
146E-1101-3S00	120 VAC	100 ohm DIN	-100 to 1112°F	High Limit	Auto Reset	8A Relay	Remote	DIN Rail	LV C5PW -100 1112 A	2, 6, 8
146E-1101-4000	120 VAC	100 ohm DIN	-73 to 600°C	Low Limit	Auto Reset	8A Relay	Integral	DIN Rail	LV C6RZ -073 0600 A	6, 8
146E-1101-4000	120 VAC	100 ohm DIN	-100 to 1112°F	Low Limit	Auto Reset	8A Relay	Integral	DIN Rail	LV C6PZ -100 1112 A	6, 8
146E-1101-4N00	120 VAC	100 ohm DIN	-73 to 600°C	Low Limit	Auto Reset	8A Relay	Remote	DIN Rail	LV C5RZ -073 0600 A	2, 6, 8
146E-1101-4N00	120 VAC	100 ohm DIN	-100 to 1112°F	Low Limit	Auto Reset	8A Relay	Remote	DIN Rail	LV C5PZ -100 1112 A	2, 6, 8
146E-1101-4P00	120 VAC	100 ohm DIN	-73 to 600°C	Low Limit	Auto Reset	8A Relay	Remote	DIN Rail	LV C5RZ -073 0600 A	2, 6, 8
146E-1101-4P00	120 VAC	100 ohm DIN	-100 to 1112°F	Low Limit	Auto Reset	8A Relay	Remote	DIN Rail	LV C5PZ -100 1112 A	2, 6, 8
146E-1101-4S00	120 VAC	100 ohm DIN	-73 to 600°C	Low Limit	Auto Reset	8A Relay	Remote	DIN Rail	LV C5RZ -073 0600 A	2, 6, 8
146E-1101-4S00	120 VAC	100 ohm DIN	-100 to 1112°F	Low Limit	Auto Reset	8A Relay	Remote	DIN Rail	LV C5PZ -100 1112 A	2, 6, 8
146E-1104-1000	120 VAC	1K ohm	-73 to 600°C	High Limit	Manual Reset	8A Relay	Integral	DIN Rail	LV C6RU -073 0600 A	1, 6, 8
146E-1104-1000	120 VAC	1K ohm	-100 to 1112°F	High Limit	Manual Reset	8A Relay	Integral	DIN Rail	LV C6PU -100 1112 A	1, 6, 8
146E-1104-1N00	120 VAC	1K ohm	-73 to 600°C	High Limit	Manual Reset	8A Relay	Remote	DIN Rail	LV C5RU -073 0600 A	1, 2, 6, 8
146E-1104-1N00	120 VAC	1K ohm	-100 to 1112°F	High Limit	Manual Reset	8A Relay	Remote	DIN Rail	LV C5PU -100 1112 A	1, 2, 6, 8
146E-1104-1P00	120 VAC	1K ohm	-73 to 600°C	High Limit	Manual Reset	8A Relay	Remote	DIN Rail	LV C5RU -073 0600 A	1, 2, 6, 8
146E-1104-1P00	120 VAC	1K ohm	-100 to 1112°F	High Limit	Manual Reset	8A Relay	Remote	DIN Rail	LV C5PU -100 1112 A	1, 2, 6, 8
146E-1104-1S00	120 VAC	1K ohm	-73 to 600°C	High Limit	Manual Reset	8A Relay	Remote	DIN Rail	LV C5RU -073 0600 A	1, 2, 6, 8
146E-1104-1S00	120 VAC	1K ohm	-100 to 1112°F	High Limit	Manual Reset	8A Relay	Remote	DIN Rail	LV C5PU -100 1112 A	1, 2, 6, 8
146E-1104-2000	120 VAC	1K ohm	-73 to 600°C	Low Limit	Manual Reset	8A Relay	Integral	DIN Rail	LV C6RY -073 0600 A	1, 6, 8
146E-1104-2000	120 VAC	1K ohm	-100 to 1112°F	Low Limit	Manual Reset	8A Relay	Integral	DIN Rail	LV C6PY -100 1112 A	1, 6, 8
146E-1104-2N00	120 VAC	1K ohm	-73 to 600°C	Low Limit	Manual Reset	8A Relay	Remote	DIN Rail	LV C5RY -073 0600 A	1, 2, 6, 8
146E-1104-2N00	120 VAC	1K ohm	-100 to 1112°F	Low Limit	Manual Reset	8A Relay	Remote	DIN Rail	LV C5PY -100 1112 A	1, 2, 6, 8
146E-1104-2P00	120 VAC	1K ohm	-73 to 600°C	Low Limit	Manual Reset	8A Relay	Remote	DIN Rail	LV C5RY -073 0600 A	1, 2, 6, 8
146E-1104-2P00	120 VAC	1K ohm	-100 to 1112°F	Low Limit	Manual Reset	8A Relay	Remote	DIN Rail	LV C5PY -100 1112 A	1, 2, 6, 8
146E-1104-2S00	120 VAC	1K ohm	-73 to 600°C	Low Limit	Manual Reset	8A Relay	Remote	DIN Rail	LV C5RY -073 0600 A	1, 2, 6, 8
146E-1104-2S00	120 VAC	1K ohm	-100 to 1112°F	Low Limit	Manual Reset	8A Relay	Remote	DIN Rail	LV C5PY -100 1112 A	1, 2, 6, 8
146E-1104-3000	120 VAC	1K ohm	-73 to 600°C	High Limit	Auto Reset	8A Relay	Integral	DIN Rail	LV C6RW -073 0600 A	1, 6, 8
146E-1104-3000	120 VAC	1K ohm	-100 to 1112°F	High Limit	Auto Reset	8A Relay	Integral	DIN Rail	LV C6PW -100 1112 A	1, 6, 8
146E-1104-3N00	120 VAC	1K ohm	-73 to 600°C	High Limit	Auto Reset	8A Relay	Remote	DIN Rail	LV C5RW -073 0600 A	1, 2, 6, 8
146E-1104-3N00	120 VAC	1K ohm	-100 to 1112°F	High Limit	Auto Reset	8A Relay	Remote	DIN Rail	LV C5PW -100 1112 A	1, 2, 6, 8
146E-1104-3P00	120 VAC	1K ohm	-73 to 600°C	High Limit	Auto Reset	8A Relay	Remote	DIN Rail	LV C5RW -073 0600 A	1, 2, 6, 8
146E-1104-3P00	120 VAC	1K ohm	-100 to 1112°F	High Limit	Auto Reset	8A Relay	Remote	DIN Rail	LV C5PW -100 1112 A	1, 2, 6, 8
146E-1104-3S00	120 VAC	1K ohm	-73 to 600°C	High Limit	Auto Reset	8A Relay	Remote	DIN Rail	LV C5RW -073 0600 A	1, 2, 6, 8
146E-1104-3S00	120 VAC	1K ohm	-100 to 1112°F	High Limit	Auto Reset	8A Relay	Remote	DIN Rail	LV C5PW -100 1112 A	1, 2, 6, 8
146E-1104-4000	120 VAC	1K ohm	-73 to 600°C	Low Limit	Auto Reset	8A Relay	Integral	DIN Rail	LV C6RZ -073 0600 A	1, 6, 8
146E-1104-4000	120 VAC	1K ohm	-100 to 1112°F	Low Limit	Auto Reset	8A Relay	Integral	DIN Rail	LV C6PZ -100 1112 A	1, 6, 8
146E-1104-4N00	120 VAC	1K ohm	-73 to 600°C	Low Limit	Auto Reset	8A Relay	Remote	DIN Rail	LV C5RZ -073 0600 A	1, 2, 6, 8
146E-1104-4N00	120 VAC	1K ohm	-100 to 1112°F	Low Limit	Auto Reset	8A Relay	Remote	DIN Rail	LV C5PZ -100 1112 A	1, 2, 6, 8
146E-1104-4P00	120 VAC	1K ohm	-73 to 600°C	Low Limit	Auto Reset	8A Relay	Remote	DIN Rail	LV C5RZ -073 0600 A	1, 2, 6, 8
146E-1104-4P00	120 VAC	1K ohm	-100 to 1112°F	Low Limit	Auto Reset	8A Relay	Remote	DIN Rail	LV C5PZ -100 1112 A	1, 2, 6, 8
146E-1104-4S00	120 VAC	1K ohm	-73 to 600°C	Low Limit	Auto Reset	8A Relay	Remote	DIN Rail	LV C5RZ -073 0600 A	1, 2, 6, 8
146E-1104-4S00	120 VAC	1K ohm	-100 to 1112°F	Low Limit	Auto Reset	8A Relay	Remote	DIN Rail	LV C5PZ -100 1112 A	1, 2, 6, 8

Series 146

Series 146	Line Voltage	Input	Temp Range	Control Mode	Action	Output	Set Point	Mounting	Retrofit control	See Notes Below
146E-1105-1000	120 VAC	100 ohm DIN	0 to 80°C	High Limit	Manual Reset	8A Relay	Integral	DIN Rail	LV C6RU 0000 0080 A	6, 8
146E-1105-1000	120 VAC	100 ohm DIN	32 to 176°F	High Limit	Manual Reset	8A Relay	Integral	DIN Rail	LV C6PU 0032 0176 A	6, 8
146E-1105-1N00	120 VAC	100 ohm DIN	0 to 80°C	High Limit	Manual Reset	8A Relay	Remote	DIN Rail	LV C5RU 0000 0080 A	2, 6, 8
146E-1105-1N00	120 VAC	100 ohm DIN	32 to 176°F	High Limit	Manual Reset	8A Relay	Remote	DIN Rail	LV C5PU 0032 0176 A	2, 6, 8
146E-1105-1P00	120 VAC	100 ohm DIN	0 to 80°C	High Limit	Manual Reset	8A Relay	Remote	DIN Rail	LV C5RU 0000 0080 A	2, 6, 8
146E-1105-1P00	120 VAC	100 ohm DIN	32 to 176°F	High Limit	Manual Reset	8A Relay	Remote	DIN Rail	LV C5PU 0032 0176 A	2, 6, 8
146E-1105-1S00	120 VAC	100 ohm DIN	0 to 80°C	High Limit	Manual Reset	8A Relay	Remote	DIN Rail	LV C5RU 0000 0080 A	2, 6, 8
146E-1105-1S00	120 VAC	100 ohm DIN	32 to 176°F	High Limit	Manual Reset	8A Relay	Remote	DIN Rail	LV C5PU 0032 0176 A	2, 6, 8
146E-1105-2000	120 VAC	100 ohm DIN	0 to 80°C	Low Limit	Manual Reset	8A Relay	Integral	DIN Rail	LV C6RY 0000 0080 A	6, 8
146E-1105-2000	120 VAC	100 ohm DIN	32 to 176°F	Low Limit	Manual Reset	8A Relay	Integral	DIN Rail	LV C6PY 0032 0176 A	6, 8
146E-1105-2N00	120 VAC	100 ohm DIN	0 to 80°C	Low Limit	Manual Reset	8A Relay	Remote	DIN Rail	LV C5RY 0000 0080 A	2, 6, 8
146E-1105-2N00	120 VAC	100 ohm DIN	32 to 176°F	Low Limit	Manual Reset	8A Relay	Remote	DIN Rail	LV C5PY 0032 0176 A	2, 6, 8
146E-1105-2P00	120 VAC	100 ohm DIN	0 to 80°C	Low Limit	Manual Reset	8A Relay	Remote	DIN Rail	LV C5RY 0000 0080 A	2, 6, 8
146E-1105-2P00	120 VAC	100 ohm DIN	32 to 176°F	Low Limit	Manual Reset	8A Relay	Remote	DIN Rail	LV C5PY 0032 0176 A	2, 6, 8
146E-1105-2S00	120 VAC	100 ohm DIN	0 to 80°C	Low Limit	Manual Reset	8A Relay	Remote	DIN Rail	LV C5RY 0000 0080 A	2, 6, 8
146E-1105-2S00	120 VAC	100 ohm DIN	32 to 176°F	Low Limit	Manual Reset	8A Relay	Remote	DIN Rail	LV C5PY 0032 0176 A	2, 6, 8
146E-1105-3000	120 VAC	100 ohm DIN	0 to 80°C	High Limit	Auto Reset	8A Relay	Integral	DIN Rail	LV C6RW 0032 0176 A	6, 8
146E-1105-3000	120 VAC	100 ohm DIN	32 to 176°F	High Limit	Auto Reset	8A Relay	Integral	DIN Rail	LV C6PW 0032 0176 A	6, 8
146E-1105-3N00	120 VAC	100 ohm DIN	0 to 80°C	High Limit	Auto Reset	8A Relay	Remote	DIN Rail	LV C5RW 0032 0176 A	2, 6, 8
146E-1105-3N00	120 VAC	100 ohm DIN	32 to 176°F	High Limit	Auto Reset	8A Relay	Remote	DIN Rail	LV C5PW 0032 0176 A	2, 6, 8
146E-1105-3P00	120 VAC	100 ohm DIN	0 to 80°C	High Limit	Auto Reset	8A Relay	Remote	DIN Rail	LV C5RW 0032 0176 A	2, 6, 8
146E-1105-3P00	120 VAC	100 ohm DIN	32 to 176°F	High Limit	Auto Reset	8A Relay	Remote	DIN Rail	LV C5PW 0032 0176 A	2, 6, 8
146E-1105-3S00	120 VAC	100 ohm DIN	0 to 80°C	High Limit	Auto Reset	8A Relay	Remote	DIN Rail	LV C5RW 0032 0176 A	2, 6, 8
146E-1105-3S00	120 VAC	100 ohm DIN	32 to 176°F	High Limit	Auto Reset	8A Relay	Remote	DIN Rail	LV C5PW 0032 0176 A	2, 6, 8
146E-1105-4000	120 VAC	100 ohm DIN	0 to 80°C	Low Limit	Auto Reset	8A Relay	Integral	DIN Rail	LV C6RZ 0000 0080 A	6, 8
146E-1105-4000	120 VAC	100 ohm DIN	32 to 176°F	Low Limit	Auto Reset	8A Relay	Integral	DIN Rail	LV C6PZ 0032 0176 A	6, 8
146E-1105-4N00	120 VAC	100 ohm DIN	0 to 80°C	Low Limit	Auto Reset	8A Relay	Remote	DIN Rail	LV C5RZ 0000 0080 A	2, 6, 8
146E-1105-4N00	120 VAC	100 ohm DIN	32 to 176°F	Low Limit	Auto Reset	8A Relay	Remote	DIN Rail	LV C5PZ 0032 0176 A	2, 6, 8
146E-1105-4P00	120 VAC	100 ohm DIN	0 to 80°C	Low Limit	Auto Reset	8A Relay	Remote	DIN Rail	LV C5RZ 0000 0080 A	2, 6, 8
146E-1105-4P00	120 VAC	100 ohm DIN	32 to 176°F	Low Limit	Auto Reset	8A Relay	Remote	DIN Rail	LV C5PZ 0032 0176 A	2, 6, 8
146E-1105-4S00	120 VAC	100 ohm DIN	0 to 80°C	Low Limit	Auto Reset	8A Relay	Remote	DIN Rail	LV C5RZ 0000 0080 A	2, 6, 8
146E-1105-4S00	120 VAC	100 ohm DIN	32 to 176°F	Low Limit	Auto Reset	8A Relay	Remote	DIN Rail	LV C5PZ 0032 0176 A	2, 6, 8
146E-1106-1000	120 VAC	100 ohm DIN	200°C	High Limit	Manual Reset	8A Relay	Fixed	DIN Rail	LF C6RU 0200 AAAA A	6, 8
146E-1106-1000	120 VAC	100 ohm DIN	392°F	High Limit	Manual Reset	8A Relay	Fixed	DIN Rail	LF C6PU 0392 AAAA A	6, 8
146E-1106-2000	120 VAC	100 ohm DIN	200°C	Low Limit	Manual Reset	8A Relay	Fixed	DIN Rail	LF C6RY 0200 AAAA A	6, 8
146E-1106-2000	120 VAC	100 ohm DIN	392°F	Low Limit	Manual Reset	8A Relay	Fixed	DIN Rail	LF C6PY 0392 AAAA A	6, 8
146E-1106-3000	120 VAC	100 ohm DIN	200°C	High Limit	Auto Reset	8A Relay	Fixed	DIN Rail	LF C6RW 0200 AAAA A	6, 8
146E-1106-3000	120 VAC	100 ohm DIN	392°F	High Limit	Auto Reset	8A Relay	Fixed	DIN Rail	LF C6PW 0392 AAAA A	6, 8
146E-1106-4000	120 VAC	100 ohm DIN	200°C	Low Limit	Auto Reset	8A Relay	Fixed	DIN Rail	LF C6RZ 0200 AAAA A	6, 8
146E-1106-4000	120 VAC	100 ohm DIN	392°F	Low Limit	Auto Reset	8A Relay	Fixed	DIN Rail	LF C6PZ 0392 AAAA A	6, 8
146E-1107-1000	120 VAC	100 ohm DIN	350°C	High Limit	Manual Reset	8A Relay	Fixed	DIN Rail	LF C6RU 0350 AAAA A	6, 8

Series 146

<u>Series 146</u>	Line Voltage	Input	Temp Range	Control Mode	Action	Output	Set Point	Mounting	Retrofit control	See Notes Below
146E-1107-1000	120 VAC	100 ohm DIN	662°F	High Limit	Manual Reset	8A Relay	Fixed	DIN Rail	LF C6PU 0662 AAAA A	6, 8
146E-1107-2000	120 VAC	100 ohm DIN	350°C	Low Limit	Manual Reset	8A Relay	Fixed	DIN Rail	LF C6RY 0350 AAAA A	6, 8
146E-1107-2000	120 VAC	100 ohm DIN	662°F	Low Limit	Manual Reset	8A Relay	Fixed	DIN Rail	LF C6PY 0662 AAAA A	6, 8
146E-1107-3000	120 VAC	100 ohm DIN	350°C	High Limit	Auto Reset	8A Relay	Fixed	DIN Rail	LF C6RW 0350 AAAA A	6, 8
146E-1107-3000	120 VAC	100 ohm DIN	662°F	High Limit	Auto Reset	8A Relay	Fixed	DIN Rail	LF C6PW 0662 AAAA A	6, 8
146E-1107-4000	120 VAC	100 ohm DIN	350°C	Low Limit	Auto Reset	8A Relay	Fixed	DIN Rail	LF C6RZ 0350 AAAA A	6, 8
146E-1107-4000	120 VAC	100 ohm DIN	662°F	Low Limit	Auto Reset	8A Relay	Fixed	DIN Rail	LF C6PZ 0662 AAAA A	6, 8
146E-1108-1000	120 VAC	100 ohm DIN	110°C	High Limit	Manual Reset	8A Relay	Fixed	DIN Rail	LF C6RU 0110 AAAA A	6, 8
146E-1108-1000	120 VAC	100 ohm DIN	230°F	High Limit	Manual Reset	8A Relay	Fixed	DIN Rail	LF C6PU 0230 AAAA A	6, 8
146E-1108-2000	120 VAC	100 ohm DIN	110°C	Low Limit	Manual Reset	8A Relay	Fixed	DIN Rail	LF C6RY 0110 AAAA A	6, 8
146E-1108-2000	120 VAC	100 ohm DIN	230°F	Low Limit	Manual Reset	8A Relay	Fixed	DIN Rail	LF C6PY 0230 AAAA A	6, 8
146E-1108-3000	120 VAC	100 ohm DIN	110°C	High Limit	Auto Reset	8A Relay	Fixed	DIN Rail	LF C6RW 0110 AAAA A	6, 8
146E-1108-3000	120 VAC	100 ohm DIN	230°F	High Limit	Auto Reset	8A Relay	Fixed	DIN Rail	LF C6PW 0230 AAAA A	6, 8
146E-1108-4000	120 VAC	100 ohm DIN	110°C	Low Limit	Auto Reset	8A Relay	Fixed	DIN Rail	LF C6RZ 0110 AAAA A	6, 8
146E-1108-4000	120 VAC	100 ohm DIN	230°F	Low Limit	Auto Reset	8A Relay	Fixed	DIN Rail	LF C6PZ 0230 AAAA A	6, 8
146E-1109-1000	120 VAC	100 ohm DIN	150°C	High Limit	Manual Reset	8A Relay	Fixed	DIN Rail	LF C6RU 0150 AAAA A	6, 8
146E-1109-1000	120 VAC	100 ohm DIN	302°F	High Limit	Manual Reset	8A Relay	Fixed	DIN Rail	LF C6PU 0302 AAAA A	6, 8
146E-1109-2000	120 VAC	100 ohm DIN	150°C	Low Limit	Manual Reset	8A Relay	Fixed	DIN Rail	LF C6RY 0150 AAAA A	6, 8
146E-1109-2000	120 VAC	100 ohm DIN	302°F	Low Limit	Manual Reset	8A Relay	Fixed	DIN Rail	LF C6PY 0302 AAAA A	6, 8
146E-1109-3000	120 VAC	100 ohm DIN	150°C	High Limit	Auto Reset	8A Relay	Fixed	DIN Rail	LF C6RW 0150 AAAA A	6, 8
146E-1109-3000	120 VAC	100 ohm DIN	302°F	High Limit	Auto Reset	8A Relay	Fixed	DIN Rail	LF C6PW 0302 AAAA A	6, 8
146E-1109-4000	120 VAC	100 ohm DIN	150°C	Low Limit	Auto Reset	8A Relay	Fixed	DIN Rail	LF C6RZ 0150 AAAA A	6, 8
146E-1109-4000	120 VAC	100 ohm DIN	302°F	Low Limit	Auto Reset	8A Relay	Fixed	DIN Rail	LF C6PZ 0302 AAAA A	6, 8
146E-1110-1000	120 VAC	100 ohm DIN	120°C	High Limit	Manual Reset	8A Relay	Fixed	DIN Rail	LF C6RU 0120 AAAA A	6, 8
146E-1110-1000	120 VAC	100 ohm DIN	248°F	High Limit	Manual Reset	8A Relay	Fixed	DIN Rail	LF C6PU 0248 AAAA A	6, 8
146E-1110-2000	120 VAC	100 ohm DIN	120°C	Low Limit	Manual Reset	8A Relay	Fixed	DIN Rail	LF C6RY 0120 AAAA A	6, 8
146E-1110-2000	120 VAC	100 ohm DIN	248°F	Low Limit	Manual Reset	8A Relay	Fixed	DIN Rail	LF C6PY 0248 AAAA A	6, 8
146E-1110-3000	120 VAC	100 ohm DIN	120°C	High Limit	Auto Reset	8A Relay	Fixed	DIN Rail	LF C6RW 0120 AAAA A	6, 8
146E-1110-3000	120 VAC	100 ohm DIN	248°F	High Limit	Auto Reset	8A Relay	Fixed	DIN Rail	LF C6PW 0248 AAAA A	6, 8
146E-1110-4000	120 VAC	100 ohm DIN	120°C	Low Limit	Auto Reset	8A Relay	Fixed	DIN Rail	LF C6RZ 0120 AAAA A	6, 8
146E-1110-4000	120 VAC	100 ohm DIN	248°F	Low Limit	Auto Reset	8A Relay	Fixed	DIN Rail	LF C6PZ 0248 AAAA A	6, 8
146E-1111-1000	120 VAC	100 ohm DIN	200°C	High Limit	Manual Reset	8A Relay	Fixed	DIN Rail	LF C6RU 0200 AAAA A	6, 8
146E-1111-1000	120 VAC	100 ohm DIN	392°F	High Limit	Manual Reset	8A Relay	Fixed	DIN Rail	LF C6PU 0392 AAAA A	6, 8
146E-1111-2000	120 VAC	100 ohm DIN	200°C	Low Limit	Manual Reset	8A Relay	Fixed	DIN Rail	LF C6RY 0200 AAAA A	6, 8
146E-1111-2000	120 VAC	100 ohm DIN	392°F	Low Limit	Manual Reset	8A Relay	Fixed	DIN Rail	LF C6PY 0392 AAAA A	6, 8
146E-1111-3000	120 VAC	100 ohm DIN	200°C	High Limit	Auto Reset	8A Relay	Fixed	DIN Rail	LF C6RW 0200 AAAA A	6, 8
146E-1111-3000	120 VAC	100 ohm DIN	392°F	High Limit	Auto Reset	8A Relay	Fixed	DIN Rail	LF C6PW 0392 AAAA A	6, 8
146E-1111-4000	120 VAC	100 ohm DIN	200°C	Low Limit	Auto Reset	8A Relay	Fixed	DIN Rail	LF C6RZ 0200 AAAA A	6, 8
146E-1111-4000	120 VAC	100 ohm DIN	392°F	Low Limit	Auto Reset	8A Relay	Fixed	DIN Rail	LF C6PZ 0392 AAAA A	6, 8
146E-1112-1000	120 VAC	100 ohm DIN	250°C	High Limit	Manual Reset	8A Relay	Fixed	DIN Rail	LF C6RU 0250 AAAA A	6, 8
146E-1112-1000	120 VAC	100 ohm DIN	482°F	High Limit	Manual Reset	8A Relay	Fixed	DIN Rail	LF C6PU 0482 AAAA A	6, 8

Series 146

Series 146	Line Voltage	Input	Temp Range	Control Mode	Action	Output	Set Point	Mounting	Retrofit control	See Notes Below
146E-1112-2000	120 VAC	100 ohm DIN	250°C	Low Limit	Manual Reset	8A Relay	Fixed	DIN Rail	LF C6RY 0250 AAAA A	6, 8
146E-1112-2000	120 VAC	100 ohm DIN	482°F	Low Limit	Manual Reset	8A Relay	Fixed	DIN Rail	LF C6PY 0482 AAAA A	6, 8
146E-1112-3000	120 VAC	100 ohm DIN	250°C	High Limit	Auto Reset	8A Relay	Fixed	DIN Rail	LF C6RW 0250 AAAA A	6, 8
146E-1112-3000	120 VAC	100 ohm DIN	482°F	High Limit	Auto Reset	8A Relay	Fixed	DIN Rail	LF C6PW 0482 AAAA A	6, 8
146E-1112-4000	120 VAC	100 ohm DIN	250°C	Low Limit	Auto Reset	8A Relay	Fixed	DIN Rail	LF C6RZ 0250 AAAA A	6, 8
146E-1112-4000	120 VAC	100 ohm DIN	482°F	Low Limit	Auto Reset	8A Relay	Fixed	DIN Rail	LF C6PZ 0482 AAAA A	6, 8
146E-1601-1000	120 VAC	J t/c	32 to 600°F	High Limit	Manual Reset	8A Relay	Integral	DIN Rail	LV C6HU 0032 0600 A	6, 8
146E-1601-1000	120 VAC	J t/c	0 to 315°C	High Limit	Manual Reset	8A Relay	Integral	DIN Rail	LV C6JU 0000 0315 A	6, 8
146E-1601-1N00	120 VAC	J t/c	32 to 600°F	High Limit	Manual Reset	8A Relay	Remote	DIN Rail	LV C5HU 0032 0600 A	2, 6, 8
146E-1601-1N00	120 VAC	J t/c	0 to 315°C	High Limit	Manual Reset	8A Relay	Remote	DIN Rail	LV C5JU 0000 0315 A	2, 6, 8
146E-1601-1P00	120 VAC	J t/c	32 to 600°F	High Limit	Manual Reset	8A Relay	Remote	DIN Rail	LV C5HU 0032 0600 A	2, 6, 8
146E-1601-1P00	120 VAC	J t/c	0 to 315°C	High Limit	Manual Reset	8A Relay	Remote	DIN Rail	LV C5JU 0000 0315 A	2, 6, 8
146E-1601-1S00	120 VAC	J t/c	32 to 600°F	High Limit	Manual Reset	8A Relay	Remote	DIN Rail	LV C5HU 0032 0600 A	2, 6, 8
146E-1601-1S00	120 VAC	J t/c	0 to 315°C	High Limit	Manual Reset	8A Relay	Remote	DIN Rail	LV C5JU 0000 0315 A	2, 6, 8
146E-1601-2000	120 VAC	J t/c	32 to 600°F	Low Limit	Manual Reset	8A Relay	Integral	DIN Rail	LV C6HY 0032 0600 A	6, 8
146E-1601-2000	120 VAC	J t/c	0 to 315°C	Low Limit	Manual Reset	8A Relay	Integral	DIN Rail	LV C6JY 0000 0315 A	6, 8
146E-1601-2N00	120 VAC	J t/c	32 to 600°F	Low Limit	Manual Reset	8A Relay	Remote	DIN Rail	LV C5HY 0032 0600 A	2, 6, 8
146E-1601-2N00	120 VAC	J t/c	0 to 315°C	Low Limit	Manual Reset	8A Relay	Remote	DIN Rail	LV C5JY 0000 0315 A	2, 6, 8
146E-1601-2P00	120 VAC	J t/c	32 to 600°F	Low Limit	Manual Reset	8A Relay	Remote	DIN Rail	LV C5HY 0032 0600 A	2, 6, 8
146E-1601-2P00	120 VAC	J t/c	0 to 315°C	Low Limit	Manual Reset	8A Relay	Remote	DIN Rail	LV C5JY 0000 0315 A	2, 6, 8
146E-1601-2S00	120 VAC	J t/c	32 to 600°F	Low Limit	Manual Reset	8A Relay	Remote	DIN Rail	LV C5HY 0032 0600 A	2, 6, 8
146E-1601-2S00	120 VAC	J t/c	0 to 315°C	Low Limit	Manual Reset	8A Relay	Remote	DIN Rail	LV C5JY 0000 0315 A	2, 6, 8
146E-1601-3000	120 VAC	J t/c	32 to 600°F	High Limit	Auto Reset	8A Relay	Integral	DIN Rail	LV C6HW 0032 0600 A	6, 8
146E-1601-3000	120 VAC	J t/c	0 to 315°C	High Limit	Auto Reset	8A Relay	Integral	DIN Rail	LV C6JW 0000 0315 A	6, 8
146E-1601-3N00	120 VAC	J t/c	32 to 600°F	High Limit	Auto Reset	8A Relay	Remote	DIN Rail	LV C5HW 0032 0600 A	2, 6, 8
146E-1601-3N00	120 VAC	J t/c	0 to 315°C	High Limit	Auto Reset	8A Relay	Remote	DIN Rail	LV C5JW 0000 0315 A	2, 6, 8
146E-1601-3P00	120 VAC	J t/c	32 to 600°F	High Limit	Auto Reset	8A Relay	Remote	DIN Rail	LV C5HW 0032 0600 A	2, 6, 8
146E-1601-3P00	120 VAC	J t/c	0 to 315°C	High Limit	Auto Reset	8A Relay	Remote	DIN Rail	LV C5JW 0000 0315 A	2, 6, 8
146E-1601-3S00	120 VAC	J t/c	32 to 600°F	High Limit	Auto Reset	8A Relay	Remote	DIN Rail	LV C5HW 0032 0600 A	2, 6, 8
146E-1601-3S00	120 VAC	J t/c	0 to 315°C	High Limit	Auto Reset	8A Relay	Remote	DIN Rail	LV C5JW 0000 0315 A	2, 6, 8
146E-1601-4000	120 VAC	J t/c	32 to 600°F	Low Limit	Auto Reset	8A Relay	Integral	DIN Rail	LV C6HZ 0032 0600 A	6, 8
146E-1601-4000	120 VAC	J t/c	0 to 315°C	Low Limit	Auto Reset	8A Relay	Integral	DIN Rail	LV C6JZ 0000 0315 A	6, 8
146E-1601-4N00	120 VAC	J t/c	32 to 600°F	Low Limit	Auto Reset	8A Relay	Remote	DIN Rail	LV C5HZ 0032 0600 A	2, 6, 8
146E-1601-4N00	120 VAC	J t/c	0 to 315°C	Low Limit	Auto Reset	8A Relay	Remote	DIN Rail	LV C5JZ 0000 0315 A	2, 6, 8
146E-1601-4P00	120 VAC	J t/c	32 to 600°F	Low Limit	Auto Reset	8A Relay	Remote	DIN Rail	LV C5HZ 0032 0600 A	2, 6, 8
146E-1601-4P00	120 VAC	J t/c	0 to 315°C	Low Limit	Auto Reset	8A Relay	Remote	DIN Rail	LV C5JZ 0000 0315 A	2, 6, 8
146E-1601-4S00	120 VAC	J t/c	32 to 600°F	Low Limit	Auto Reset	8A Relay	Remote	DIN Rail	LV C5HZ 0032 0600 A	2, 6, 8
146E-1601-4S00	120 VAC	J t/c	0 to 315°C	Low Limit	Auto Reset	8A Relay	Remote	DIN Rail	LV C5JZ 0000 0315 A	2, 6, 8
146E-1602-1000	120 VAC	J t/c	32 to 1382°F	High Limit	Manual Reset	8A Relay	Integral	DIN Rail	LV C6HU 0032 1382 A	6, 8
146E-1602-1000	120 VAC	J t/c	0 to 750°C	High Limit	Manual Reset	8A Relay	Integral	DIN Rail	LV C6JU 0000 0750 A	6, 8
146E-1602-1N00	120 VAC	J t/c	32 to 1382°F	High Limit	Manual Reset	8A Relay	Remote	DIN Rail	LV C5HU 0032 1382 A	2, 6, 8

Series 146

Series 146	Line Voltage	Input	Temp Range	Control Mode	Action	Output	Set Point	Mounting	Retrofit control	See Notes Below
146E-1602-1N00	120 VAC	J t/c	0 to 750°C	High Limit	Manual Reset	8A Relay	Remote	DIN Rail	LV C5JU 0000 0750 A	2, 6, 8
146E-1602-1P00	120 VAC	J t/c	32 to 1382°F	High Limit	Manual Reset	8A Relay	Remote	DIN Rail	LV C5HU 0032 1382 A	2, 6, 8
146E-1602-1P00	120 VAC	J t/c	0 to 750°C	High Limit	Manual Reset	8A Relay	Remote	DIN Rail	LV C5JU 0000 0750 A	2, 6, 8
146E-1602-1S00	120 VAC	J t/c	32 to 1382°F	High Limit	Manual Reset	8A Relay	Remote	DIN Rail	LV C5HU 0032 1382 A	2, 6, 8
146E-1602-1S00	120 VAC	J t/c	0 to 750°C	High Limit	Manual Reset	8A Relay	Remote	DIN Rail	LV C5JU 0000 0750 A	2, 6, 8
146E-1602-2000	120 VAC	J t/c	32 to 1382°F	Low Limit	Manual Reset	8A Relay	Integral	DIN Rail	LV C6HY 0032 1382 A	6, 8
146E-1602-2000	120 VAC	J t/c	0 to 750°C	Low Limit	Manual Reset	8A Relay	Integral	DIN Rail	LV C6JY 0000 0750 A	6, 8
146E-1602-2N00	120 VAC	J t/c	32 to 1382°F	Low Limit	Manual Reset	8A Relay	Remote	DIN Rail	LV C5HY 0032 1382 A	2, 6, 8
146E-1602-2N00	120 VAC	J t/c	0 to 750°C	Low Limit	Manual Reset	8A Relay	Remote	DIN Rail	LV C5JY 0000 0750 A	2, 6, 8
146E-1602-2P00	120 VAC	J t/c	32 to 1382°F	Low Limit	Manual Reset	8A Relay	Remote	DIN Rail	LV C5HY 0032 1382 A	2, 6, 8
146E-1602-2P00	120 VAC	J t/c	0 to 750°C	Low Limit	Manual Reset	8A Relay	Remote	DIN Rail	LV C5JY 0000 0750 A	2, 6, 8
146E-1602-2S00	120 VAC	J t/c	32 to 1382°F	Low Limit	Manual Reset	8A Relay	Remote	DIN Rail	LV C5HY 0032 1382 A	2, 6, 8
146E-1602-2S00	120 VAC	J t/c	0 to 750°C	Low Limit	Manual Reset	8A Relay	Remote	DIN Rail	LV C5JY 0000 0750 A	2, 6, 8
146E-1602-3000	120 VAC	J t/c	32 to 1382°F	High Limit	Auto Reset	8A Relay	Integral	DIN Rail	LV C6HW 0032 1382 A	6, 8
146E-1602-3000	120 VAC	J t/c	0 to 750°C	High Limit	Auto Reset	8A Relay	Integral	DIN Rail	LV C6JW 0000 0750 A	6, 8
146E-1602-3N00	120 VAC	J t/c	32 to 1382°F	High Limit	Auto Reset	8A Relay	Remote	DIN Rail	LV C5HW 0032 1382 A	2, 6, 8
146E-1602-3N00	120 VAC	J t/c	0 to 750°C	High Limit	Auto Reset	8A Relay	Remote	DIN Rail	LV C5JW 0000 0750 A	2, 6, 8
146E-1602-3P00	120 VAC	J t/c	32 to 1382°F	High Limit	Auto Reset	8A Relay	Remote	DIN Rail	LV C5HW 0032 1382 A	2, 6, 8
146E-1602-3P00	120 VAC	J t/c	0 to 750°C	High Limit	Auto Reset	8A Relay	Remote	DIN Rail	LV C5JW 0000 0750 A	2, 6, 8
146E-1602-3S00	120 VAC	J t/c	32 to 1382°F	High Limit	Auto Reset	8A Relay	Remote	DIN Rail	LV C5HW 0032 1382 A	2, 6, 8
146E-1602-3S00	120 VAC	J t/c	0 to 750°C	High Limit	Auto Reset	8A Relay	Remote	DIN Rail	LV C5JW 0000 0750 A	2, 6, 8
146E-1602-4000	120 VAC	J t/c	32 to 1382°F	Low Limit	Auto Reset	8A Relay	Integral	DIN Rail	LV C6HZ 0032 1382 A	6, 8
146E-1602-4000	120 VAC	J t/c	0 to 750°C	Low Limit	Auto Reset	8A Relay	Integral	DIN Rail	LV C6JZ 0000 0750 A	6, 8
146E-1602-4N00	120 VAC	J t/c	32 to 1382°F	Low Limit	Auto Reset	8A Relay	Remote	DIN Rail	LV C5HZ 0032 1382 A	2, 6, 8
146E-1602-4N00	120 VAC	J t/c	0 to 750°C	Low Limit	Auto Reset	8A Relay	Remote	DIN Rail	LV C5JZ 0000 0750 A	2, 6, 8
146E-1602-4P00	120 VAC	J t/c	32 to 1382°F	Low Limit	Auto Reset	8A Relay	Remote	DIN Rail	LV C5HZ 0032 1382 A	2, 6, 8
146E-1602-4P00	120 VAC	J t/c	0 to 750°C	Low Limit	Auto Reset	8A Relay	Remote	DIN Rail	LV C5JZ 0000 0750 A	2, 6, 8
146E-1602-4S00	120 VAC	J t/c	32 to 1382°F	Low Limit	Auto Reset	8A Relay	Remote	DIN Rail	LV C5HZ 0032 1382 A	2, 6, 8
146E-1602-4S00	120 VAC	J t/c	0 to 750°C	Low Limit	Auto Reset	8A Relay	Remote	DIN Rail	LV C5JZ 0000 0750 A	2, 6, 8
146E-1603-1000	120 VAC	K t/c	32 to 2282°F	High Limit	Manual Reset	8A Relay	Integral	DIN Rail	LV C6KU 0032 2282 A	6, 8
146E-1603-1000	120 VAC	K t/c	0 to 1250°C	High Limit	Manual Reset	8A Relay	Integral	DIN Rail	LV C6LU 0000 1250 A	6, 8
146E-1603-1N00	120 VAC	K t/c	32 to 2282°F	High Limit	Manual Reset	8A Relay	Remote	DIN Rail	LV C5KU 0032 2282 A	2, 6, 8
146E-1603-1N00	120 VAC	K t/c	0 to 1250°C	High Limit	Manual Reset	8A Relay	Remote	DIN Rail	LV C5LU 0000 1250 A	2, 6, 8
146E-1603-1P00	120 VAC	K t/c	32 to 2282°F	High Limit	Manual Reset	8A Relay	Remote	DIN Rail	LV C5KU 0032 2282 A	2, 6, 8
146E-1603-1P00	120 VAC	K t/c	0 to 1250°C	High Limit	Manual Reset	8A Relay	Remote	DIN Rail	LV C5LU 0000 1250 A	2, 6, 8
146E-1603-1S00	120 VAC	K t/c	32 to 2282°F	High Limit	Manual Reset	8A Relay	Remote	DIN Rail	LV C5KU 0032 2282 A	2, 6, 8
146E-1603-1S00	120 VAC	K t/c	0 to 1250°C	High Limit	Manual Reset	8A Relay	Remote	DIN Rail	LV C5LU 0000 1250 A	2, 6, 8
146E-1603-2000	120 VAC	K t/c	32 to 2282°F	Low Limit	Manual Reset	8A Relay	Integral	DIN Rail	LV C6KY 0032 2282 A	6, 8
146E-1603-2000	120 VAC	K t/c	0 to 1250°C	Low Limit	Manual Reset	8A Relay	Integral	DIN Rail	LV C6LY 0000 1250 A	6, 8
146E-1603-2N00	120 VAC	K t/c	32 to 2282°F	Low Limit	Manual Reset	8A Relay	Remote	DIN Rail	LV C5KY 0032 2282 A	2, 6, 8
146E-1603-2N00	120 VAC	K t/c	0 to 1250°C	Low Limit	Manual Reset	8A Relay	Remote	DIN Rail	LV C5LY 0000 1250 A	2, 6, 8

Series 146

<u>Series 146</u>	<u>Line Voltage</u>	<u>Input</u>	<u>Temp Range</u>	<u>Control Mode</u>	<u>Action</u>	<u>Output</u>	<u>Set Point</u>	<u>Mounting</u>	<u>Retrofit control</u>	<u>See Notes Below</u>
146E-1603-2P00	120 VAC	K t/c	32 to 2282°F	Low Limit	Manual Reset	8A Relay	Remote	DIN Rail	LV C5KY 0032 2282 A	2, 6, 8
146E-1603-2P00	120 VAC	K t/c	0 to 1250°C	Low Limit	Manual Reset	8A Relay	Remote	DIN Rail	LV C5LY 0000 1250 A	2, 6, 8
146E-1603-2S00	120 VAC	K t/c	32 to 2282°F	Low Limit	Manual Reset	8A Relay	Remote	DIN Rail	LV C5KY 0032 2282 A	2, 6, 8
146E-1603-2S00	120 VAC	K t/c	0 to 1250°C	Low Limit	Manual Reset	8A Relay	Remote	DIN Rail	LV C5LY 0000 1250 A	2, 6, 8
146E-1603-3000	120 VAC	K t/c	32 to 2282°F	High Limit	Auto Reset	8A Relay	Integral	DIN Rail	LV C6KW 0032 2282 A	6, 8
146E-1603-3000	120 VAC	K t/c	0 to 1250°C	High Limit	Auto Reset	8A Relay	Integral	DIN Rail	LV C6LW 0000 1250 A	6, 8
146E-1603-3N00	120 VAC	K t/c	32 to 2282°F	High Limit	Auto Reset	8A Relay	Remote	DIN Rail	LV C5KW 0032 2282 A	2, 6, 8
146E-1603-3N00	120 VAC	K t/c	0 to 1250°C	High Limit	Auto Reset	8A Relay	Remote	DIN Rail	LV C5LW 0000 1250 A	2, 6, 8
146E-1603-3P00	120 VAC	K t/c	32 to 2282°F	High Limit	Auto Reset	8A Relay	Remote	DIN Rail	LV C5KW 0032 2282 A	2, 6, 8
146E-1603-3P00	120 VAC	K t/c	0 to 1250°C	High Limit	Auto Reset	8A Relay	Remote	DIN Rail	LV C5LW 0000 1250 A	2, 6, 8
146E-1603-3S00	120 VAC	K t/c	32 to 2282°F	High Limit	Auto Reset	8A Relay	Remote	DIN Rail	LV C5KW 0032 2282 A	2, 6, 8
146E-1603-3S00	120 VAC	K t/c	0 to 1250°C	High Limit	Auto Reset	8A Relay	Remote	DIN Rail	LV C5LW 0000 1250 A	2, 6, 8
146E-1603-4000	120 VAC	K t/c	32 to 2282°F	Low Limit	Auto Reset	8A Relay	Integral	DIN Rail	LV C6KZ 0032 2282 A	6, 8
146E-1603-4000	120 VAC	K t/c	0 to 1250°C	Low Limit	Auto Reset	8A Relay	Integral	DIN Rail	LV C6LZ 0000 1250 A	6, 8
146E-1603-4N00	120 VAC	K t/c	32 to 2282°F	Low Limit	Auto Reset	8A Relay	Remote	DIN Rail	LV C5KZ 0032 2282 A	2, 6, 8
146E-1603-4N00	120 VAC	K t/c	0 to 1250°C	Low Limit	Auto Reset	8A Relay	Remote	DIN Rail	LV C5LZ 0000 1250 A	2, 6, 8
146E-1603-4P00	120 VAC	K t/c	32 to 2282°F	Low Limit	Auto Reset	8A Relay	Remote	DIN Rail	LV C5KZ 0032 2282 A	2, 6, 8
146E-1603-4P00	120 VAC	K t/c	0 to 1250°C	Low Limit	Auto Reset	8A Relay	Remote	DIN Rail	LV C5LZ 0000 1250 A	2, 6, 8
146E-1603-4S00	120 VAC	K t/c	32 to 2282°F	Low Limit	Auto Reset	8A Relay	Remote	DIN Rail	LV C5KZ 0032 2282 A	2, 6, 8
146E-1603-4S00	120 VAC	K t/c	0 to 1250°C	Low Limit	Auto Reset	8A Relay	Remote	DIN Rail	LV C5LZ 0000 1250 A	2, 6, 8
146E-1611-1000	120 VAC	K t/c	32 to 1112°F	High Limit	Manual Reset	8A Relay	Integral	DIN Rail	LV C6KU 0032 1112 A	6, 8
146E-1611-1000	120 VAC	K t/c	0 to 600°C	High Limit	Manual Reset	8A Relay	Integral	DIN Rail	LV C6LU 0000 0600 A	6, 8
146E-1611-1N00	120 VAC	K t/c	32 to 1112°F	High Limit	Manual Reset	8A Relay	Remote	DIN Rail	LV C5KU 0032 1112 A	2, 6, 8
146E-1611-1N00	120 VAC	K t/c	0 to 600°C	High Limit	Manual Reset	8A Relay	Remote	DIN Rail	LV C5LU 0000 0600 A	2, 6, 8
146E-1611-1P00	120 VAC	K t/c	32 to 1112°F	High Limit	Manual Reset	8A Relay	Remote	DIN Rail	LV C5KU 0032 1112 A	2, 6, 8
146E-1611-1P00	120 VAC	K t/c	0 to 600°C	High Limit	Manual Reset	8A Relay	Remote	DIN Rail	LV C5LU 0000 0600 A	2, 6, 8
146E-1611-1S00	120 VAC	K t/c	32 to 1112°F	High Limit	Manual Reset	8A Relay	Remote	DIN Rail	LV C5KU 0032 1112 A	2, 6, 8
146E-1611-1S00	120 VAC	K t/c	0 to 600°C	High Limit	Manual Reset	8A Relay	Remote	DIN Rail	LV C5LU 0000 0600 A	2, 6, 8
146E-1611-2000	120 VAC	K t/c	32 to 1112°F	Low Limit	Manual Reset	8A Relay	Integral	DIN Rail	LV C6KY 0032 1112 A	6, 8
146E-1611-2000	120 VAC	K t/c	0 to 600°C	Low Limit	Manual Reset	8A Relay	Integral	DIN Rail	LV C6LY 0000 0600 A	6, 8
146E-1611-2N00	120 VAC	K t/c	32 to 1112°F	Low Limit	Manual Reset	8A Relay	Remote	DIN Rail	LV C5KY 0032 1112 A	2, 6, 8
146E-1611-2N00	120 VAC	K t/c	0 to 600°C	Low Limit	Manual Reset	8A Relay	Remote	DIN Rail	LV C5LY 0000 0600 A	2, 6, 8
146E-1611-2P00	120 VAC	K t/c	32 to 1112°F	Low Limit	Manual Reset	8A Relay	Remote	DIN Rail	LV C5KY 0032 1112 A	2, 6, 8
146E-1611-2P00	120 VAC	K t/c	0 to 600°C	Low Limit	Manual Reset	8A Relay	Remote	DIN Rail	LV C5LY 0000 0600 A	2, 6, 8
146E-1611-2S00	120 VAC	K t/c	32 to 1112°F	Low Limit	Manual Reset	8A Relay	Remote	DIN Rail	LV C5KY 0032 1112 A	2, 6, 8
146E-1611-2S00	120 VAC	K t/c	0 to 600°C	Low Limit	Manual Reset	8A Relay	Remote	DIN Rail	LV C5LY 0000 0600 A	2, 6, 8
146E-1611-3000	120 VAC	K t/c	32 to 1112°F	High Limit	Auto Reset	8A Relay	Integral	DIN Rail	LV C6KW 0032 1112 A	6, 8
146E-1611-3000	120 VAC	K t/c	0 to 600°C	High Limit	Auto Reset	8A Relay	Integral	DIN Rail	LV C6LW 0000 0600 A	6, 8
146E-1611-3N00	120 VAC	K t/c	32 to 1112°F	High Limit	Auto Reset	8A Relay	Remote	DIN Rail	LV C5KW 0032 1112 A	2, 6, 8
146E-1611-3N00	120 VAC	K t/c	0 to 600°C	High Limit	Auto Reset	8A Relay	Remote	DIN Rail	LV C5LW 0000 0600 A	2, 6, 8
146E-1611-3P00	120 VAC	K t/c	32 to 1112°F	High Limit	Auto Reset	8A Relay	Remote	DIN Rail	LV C5KW 0032 1112 A	2, 6, 8

Series 146

Series 146	Line Voltage	Input	Temp Range	Control Mode	Action	Output	Set Point	Mounting	Retrofit control	See Notes Below
146E-1611-3P00	120 VAC	K t/c	0 to 600°C	High Limit	Auto Reset	8A Relay	Remote	DIN Rail	LV C5LW 0000 0600 A	2, 6, 8
146E-1611-3S00	120 VAC	K t/c	32 to 1112°F	High Limit	Auto Reset	8A Relay	Remote	DIN Rail	LV C5KW 0032 1112 A	2, 6, 8
146E-1611-3S00	120 VAC	K t/c	0 to 600°C	High Limit	Auto Reset	8A Relay	Remote	DIN Rail	LV C5LW 0000 0600 A	2, 6, 8
146E-1611-4000	120 VAC	K t/c	32 to 1112°F	Low Limit	Auto Reset	8A Relay	Integral	DIN Rail	LV C6KZ 0032 1112 A	6, 8
146E-1611-4000	120 VAC	K t/c	0 to 600°C	Low Limit	Auto Reset	8A Relay	Integral	DIN Rail	LV C6LZ 0000 0600 A	6, 8
146E-1611-4N00	120 VAC	K t/c	32 to 1112°F	Low Limit	Auto Reset	8A Relay	Remote	DIN Rail	LV C5KZ 0032 1112 A	2, 6, 8
146E-1611-4N00	120 VAC	K t/c	0 to 600°C	Low Limit	Auto Reset	8A Relay	Remote	DIN Rail	LV C5LZ 0000 0600 A	2, 6, 8
146E-1611-4P00	120 VAC	K t/c	32 to 1112°F	Low Limit	Auto Reset	8A Relay	Remote	DIN Rail	LV C5KZ 0032 1112 A	2, 6, 8
146E-1611-4P00	120 VAC	K t/c	0 to 600°C	Low Limit	Auto Reset	8A Relay	Remote	DIN Rail	LV C5LZ 0000 0600 A	2, 6, 8
146E-1611-4S00	120 VAC	K t/c	32 to 1112°F	Low Limit	Auto Reset	8A Relay	Remote	DIN Rail	LV C5KZ 0032 1112 A	2, 6, 8
146E-1611-4S00	120 VAC	K t/c	0 to 600°C	Low Limit	Auto Reset	8A Relay	Remote	DIN Rail	LV C5LZ 0000 0600 A	2, 6, 8
146E-1615-1000	120 VAC	J t/c	315°C	High Limit	Manual Reset	8A Relay	Fixed	DIN Rail	LF C6HU 0315 AAAA A	6, 8
146E-1615-1000	120 VAC	J t/c	600°F	High Limit	Manual Reset	8A Relay	Fixed	DIN Rail	LF C6HU 0600 AAAA A	6, 8
146E-1615-2000	120 VAC	J t/c	315°C	Low Limit	Manual Reset	8A Relay	Fixed	DIN Rail	LF C6HY 0315 AAAA A	6, 8
146E-1615-2000	120 VAC	J t/c	600°F	Low Limit	Manual Reset	8A Relay	Fixed	DIN Rail	LF C6HY 0600 AAAA A	6, 8
146E-1615-3000	120 VAC	J t/c	315°C	High Limit	Auto Reset	8A Relay	Fixed	DIN Rail	LF C6HW 0315 AAAA A	6, 8
146E-1615-3000	120 VAC	J t/c	600°F	High Limit	Auto Reset	8A Relay	Fixed	DIN Rail	LF C6HW 0600 AAAA A	6, 8
146E-1615-4000	120 VAC	J t/c	315°C	Low Limit	Auto Reset	8A Relay	Fixed	DIN Rail	LF C6HZ 0315 AAAA A	6, 8
146E-1615-4000	120 VAC	J t/c	600°F	Low Limit	Auto Reset	8A Relay	Fixed	DIN Rail	LF C6HZ 0600 AAAA A	6, 8
146E-1618-1000	120 VAC	J t/c	0 to 200°F	High Limit	Manual Reset	8A Relay	Integral	DIN Rail	LV C6HU 0000 0200 A	6, 8
146E-1618-1000	120 VAC	J t/c	-17 to 93°C	High Limit	Manual Reset	8A Relay	Integral	DIN Rail	LV C6JU -017 0093 A	6, 8
146E-1618-1N00	120 VAC	J t/c	0 to 200°F	High Limit	Manual Reset	8A Relay	Remote	DIN Rail	LV C5HU 0000 0200 A	2, 6, 8
146E-1618-1N00	120 VAC	J t/c	-17 to 93°C	High Limit	Manual Reset	8A Relay	Remote	DIN Rail	LV C5JU -017 0093 A	2, 6, 8
146E-1618-1P00	120 VAC	J t/c	0 to 200°F	High Limit	Manual Reset	8A Relay	Remote	DIN Rail	LV C5HU 0000 0200 A	2, 6, 8
146E-1618-1P00	120 VAC	J t/c	-17 to 93°C	High Limit	Manual Reset	8A Relay	Remote	DIN Rail	LV C5JU -017 0093 A	2, 6, 8
146E-1618-1S00	120 VAC	J t/c	0 to 200°F	High Limit	Manual Reset	8A Relay	Remote	DIN Rail	LV C5HU 0000 0200 A	2, 6, 8
146E-1618-1S00	120 VAC	J t/c	-17 to 93°C	High Limit	Manual Reset	8A Relay	Remote	DIN Rail	LV C5JU -017 0093 A	2, 6, 8
146E-1618-2000	120 VAC	J t/c	0 to 200°F	Low Limit	Manual Reset	8A Relay	Integral	DIN Rail	LV C6HY 0000 0200 A	6, 8
146E-1618-2000	120 VAC	J t/c	-17 to 93°C	Low Limit	Manual Reset	8A Relay	Integral	DIN Rail	LV C6JY -017 0093 A	6, 8
146E-1618-2N00	120 VAC	J t/c	0 to 200°F	Low Limit	Manual Reset	8A Relay	Remote	DIN Rail	LV C5HY 0000 0200 A	2, 6, 8
146E-1618-2N00	120 VAC	J t/c	-17 to 93°C	Low Limit	Manual Reset	8A Relay	Remote	DIN Rail	LV C5JY -017 0093 A	2, 6, 8
146E-1618-2P00	120 VAC	J t/c	0 to 200°F	Low Limit	Manual Reset	8A Relay	Remote	DIN Rail	LV C5HY 0000 0200 A	2, 6, 8
146E-1618-2P00	120 VAC	J t/c	-17 to 93°C	Low Limit	Manual Reset	8A Relay	Remote	DIN Rail	LV C5JY -017 0093 A	2, 6, 8
146E-1618-2S00	120 VAC	J t/c	0 to 200°F	Low Limit	Manual Reset	8A Relay	Remote	DIN Rail	LV C5HY 0000 0200 A	2, 6, 8
146E-1618-2S00	120 VAC	J t/c	-17 to 93°C	Low Limit	Manual Reset	8A Relay	Remote	DIN Rail	LV C5JY -017 0093 A	2, 6, 8
146E-1618-3000	120 VAC	J t/c	0 to 200°F	High Limit	Auto Reset	8A Relay	Integral	DIN Rail	LV C6HW 0000 0200 A	6, 8
146E-1618-3000	120 VAC	J t/c	-17 to 93°C	High Limit	Auto Reset	8A Relay	Integral	DIN Rail	LV C6JW -017 0093 A	6, 8
146E-1618-3N00	120 VAC	J t/c	0 to 200°F	High Limit	Auto Reset	8A Relay	Remote	DIN Rail	LV C5HW 0000 0200 A	2, 6, 8
146E-1618-3N00	120 VAC	J t/c	-17 to 93°C	High Limit	Auto Reset	8A Relay	Remote	DIN Rail	LV C5JW -017 0093 A	2, 6, 8
146E-1618-3P00	120 VAC	J t/c	0 to 200°F	High Limit	Auto Reset	8A Relay	Remote	DIN Rail	LV C5HW 0000 0200 A	2, 6, 8
146E-1618-3P00	120 VAC	J t/c	-17 to 93°C	High Limit	Auto Reset	8A Relay	Remote	DIN Rail	LV C5JW -017 0093 A	2, 6, 8

Series 146

Series 146	Line Voltage	Input	Temp Range	Control Mode	Action	Output	Set Point	Mounting	Retrofit control	See Notes Below
146E-1618-3S00	120 VAC	J t/c	0 to 200°F	High Limit	Auto Reset	8A Relay	Remote	DIN Rail	LV C5HW 0000 0200 A	2, 6, 8
146E-1618-3S00	120 VAC	J t/c	-17 to 93°C	High Limit	Auto Reset	8A Relay	Remote	DIN Rail	LV C5JW -017 0093 A	2, 6, 8
146E-1618-4000	120 VAC	J t/c	0 to 200°F	Low Limit	Auto Reset	8A Relay	Integral	DIN Rail	LV C6HZ 0000 0200 A	6, 8
146E-1618-4000	120 VAC	J t/c	-17 to 93°C	Low Limit	Auto Reset	8A Relay	Integral	DIN Rail	LV C6JZ -017 0093 A	6, 8
146E-1618-4N00	120 VAC	J t/c	0 to 200°F	Low Limit	Auto Reset	8A Relay	Remote	DIN Rail	LV C5HZ 0000 0200 A	2, 6, 8
146E-1618-4N00	120 VAC	J t/c	-17 to 93°C	Low Limit	Auto Reset	8A Relay	Remote	DIN Rail	LV C5JZ -017 0093 A	2, 6, 8
146E-1618-4P00	120 VAC	J t/c	0 to 200°F	Low Limit	Auto Reset	8A Relay	Remote	DIN Rail	LV C5HZ 0000 0200 A	2, 6, 8
146E-1618-4P00	120 VAC	J t/c	-17 to 93°C	Low Limit	Auto Reset	8A Relay	Remote	DIN Rail	LV C5JZ -017 0093 A	2, 6, 8
146E-1618-4S00	120 VAC	J t/c	0 to 200°F	Low Limit	Auto Reset	8A Relay	Remote	DIN Rail	LV C5HZ 0000 0200 A	2, 6, 8
146E-1618-4S00	120 VAC	J t/c	-17 to 93°C	Low Limit	Auto Reset	8A Relay	Remote	DIN Rail	LV C5JZ -017 0093 A	2, 6, 8
146E-1619-1000	120 VAC	E t/c	32 to 1470°F	High Limit	Manual Reset	8A Relay	Integral	DIN Rail	LV C6SU 0032 1470 A	6, 8
146E-1619-1000	120 VAC	E t/c	0 to 799°C	High Limit	Manual Reset	8A Relay	Integral	DIN Rail	LV C6TU 0000 0799 A	6, 8
146E-1619-1N00	120 VAC	E t/c	32 to 1470°F	High Limit	Manual Reset	8A Relay	Remote	DIN Rail	LV C5SU 0032 1470 A	2, 6, 8
146E-1619-1N00	120 VAC	E t/c	0 to 799°C	High Limit	Manual Reset	8A Relay	Remote	DIN Rail	LV C5TU 0000 0799 A	2, 6, 8
146E-1619-1P00	120 VAC	E t/c	32 to 1470°F	High Limit	Manual Reset	8A Relay	Remote	DIN Rail	LV C5SU 0032 1470 A	2, 6, 8
146E-1619-1P00	120 VAC	E t/c	0 to 799°C	High Limit	Manual Reset	8A Relay	Remote	DIN Rail	LV C5TU 0000 0799 A	2, 6, 8
146E-1619-1S00	120 VAC	E t/c	32 to 1470°F	High Limit	Manual Reset	8A Relay	Remote	DIN Rail	LV C5SU 0032 1470 A	2, 6, 8
146E-1619-1S00	120 VAC	E t/c	0 to 799°C	High Limit	Manual Reset	8A Relay	Remote	DIN Rail	LV C5TU 0000 0799 A	2, 6, 8
146E-1619-2000	120 VAC	E t/c	32 to 1470°F	Low Limit	Manual Reset	8A Relay	Integral	DIN Rail	LV C6SY 0032 1470 A	6, 8
146E-1619-2000	120 VAC	E t/c	0 to 799°C	Low Limit	Manual Reset	8A Relay	Integral	DIN Rail	LV C6TY 0000 0799 A	6, 8
146E-1619-2N00	120 VAC	E t/c	32 to 1470°F	Low Limit	Manual Reset	8A Relay	Remote	DIN Rail	LV C5SY 0032 1470 A	2, 6, 8
146E-1619-2N00	120 VAC	E t/c	0 to 799°C	Low Limit	Manual Reset	8A Relay	Remote	DIN Rail	LV C5TY 0000 0799 A	2, 6, 8
146E-1619-2P00	120 VAC	E t/c	32 to 1470°F	Low Limit	Manual Reset	8A Relay	Remote	DIN Rail	LV C5SY 0032 1470 A	2, 6, 8
146E-1619-2P00	120 VAC	E t/c	0 to 799°C	Low Limit	Manual Reset	8A Relay	Remote	DIN Rail	LV C5TY 0000 0799 A	2, 6, 8
146E-1619-2S00	120 VAC	E t/c	32 to 1470°F	Low Limit	Manual Reset	8A Relay	Remote	DIN Rail	LV C5SY 0032 1470 A	2, 6, 8
146E-1619-2S00	120 VAC	E t/c	0 to 799°C	Low Limit	Manual Reset	8A Relay	Remote	DIN Rail	LV C5TY 0000 0799 A	2, 6, 8
146E-1619-3000	120 VAC	E t/c	32 to 1470°F	High Limit	Auto Reset	8A Relay	Integral	DIN Rail	LV C6SW 0032 1470 A	6, 8
146E-1619-3000	120 VAC	E t/c	0 to 799°C	High Limit	Auto Reset	8A Relay	Integral	DIN Rail	LV C6TW 0000 0799 A	6, 8
146E-1619-3N00	120 VAC	E t/c	32 to 1470°F	High Limit	Auto Reset	8A Relay	Remote	DIN Rail	LV C5SW 0032 1470 A	2, 6, 8
146E-1619-3N00	120 VAC	E t/c	0 to 799°C	High Limit	Auto Reset	8A Relay	Remote	DIN Rail	LV C5TW 0000 0799 A	2, 6, 8
146E-1619-3P00	120 VAC	E t/c	32 to 1470°F	High Limit	Auto Reset	8A Relay	Remote	DIN Rail	LV C5SW 0032 1470 A	2, 6, 8
146E-1619-3P00	120 VAC	E t/c	0 to 799°C	High Limit	Auto Reset	8A Relay	Remote	DIN Rail	LV C5TW 0000 0799 A	2, 6, 8
146E-1619-3S00	120 VAC	E t/c	32 to 1470°F	High Limit	Auto Reset	8A Relay	Remote	DIN Rail	LV C5SW 0032 1470 A	2, 6, 8
146E-1619-3S00	120 VAC	E t/c	0 to 799°C	High Limit	Auto Reset	8A Relay	Remote	DIN Rail	LV C5TW 0000 0799 A	2, 6, 8
146E-1619-4000	120 VAC	E t/c	32 to 1470°F	Low Limit	Auto Reset	8A Relay	Integral	DIN Rail	LV C6SZ 0032 1470 A	6, 8
146E-1619-4000	120 VAC	E t/c	0 to 799°C	Low Limit	Auto Reset	8A Relay	Integral	DIN Rail	LV C6TZ 0000 0799 A	6, 8
146E-1619-4N00	120 VAC	E t/c	32 to 1470°F	Low Limit	Auto Reset	8A Relay	Remote	DIN Rail	LV C5SZ 0032 1470 A	2, 6, 8
146E-1619-4N00	120 VAC	E t/c	0 to 799°C	Low Limit	Auto Reset	8A Relay	Remote	DIN Rail	LV C5TZ 0000 0799 A	2, 6, 8
146E-1619-4P00	120 VAC	E t/c	32 to 1470°F	Low Limit	Auto Reset	8A Relay	Remote	DIN Rail	LV C5SZ 0032 1470 A	2, 6, 8
146E-1619-4P00	120 VAC	E t/c	0 to 799°C	Low Limit	Auto Reset	8A Relay	Remote	DIN Rail	LV C5TZ 0000 0799 A	2, 6, 8
146E-1619-4S00	120 VAC	E t/c	32 to 1470°F	Low Limit	Auto Reset	8A Relay	Remote	DIN Rail	LV C5SZ 0032 1470 A	2, 6, 8

Series 146

Series 146	Line Voltage	Input	Temp Range	Control Mode	Action	Output	Set Point	Mounting	Retrofit control	See Notes Below
146E-1619-4S00	120 VAC	E t/c	0 to 799°C	Low Limit	Auto Reset	8A Relay	Remote	DIN Rail	LV C5TZ 0000 0799 A	2, 6, 8
146E-1620-1000	120 VAC	J t/c	300 to 800°F	High Limit	Manual Reset	8A Relay	Integral	DIN Rail	LV C6HU 0300 0800 A	6, 8
146E-1620-1000	120 VAC	J t/c	149 to 427°C	High Limit	Manual Reset	8A Relay	Integral	DIN Rail	LV C6JU 0149 0427 A	6, 8
146E-1620-1N00	120 VAC	J t/c	300 to 800°F	High Limit	Manual Reset	8A Relay	Remote	DIN Rail	LV C5HU 0300 0800 A	2, 6, 8
146E-1620-1N00	120 VAC	J t/c	149 to 427°C	High Limit	Manual Reset	8A Relay	Remote	DIN Rail	LV C5JU 0149 0427 A	2, 6, 8
146E-1620-1P00	120 VAC	J t/c	300 to 800°F	High Limit	Manual Reset	8A Relay	Remote	DIN Rail	LV C5HU 0300 0800 A	2, 6, 8
146E-1620-1P00	120 VAC	J t/c	149 to 427°C	High Limit	Manual Reset	8A Relay	Remote	DIN Rail	LV C5JU 0149 0427 A	2, 6, 8
146E-1620-1S00	120 VAC	J t/c	300 to 800°F	High Limit	Manual Reset	8A Relay	Remote	DIN Rail	LV C5HU 0300 0800 A	2, 6, 8
146E-1620-1S00	120 VAC	J t/c	149 to 427°C	High Limit	Manual Reset	8A Relay	Remote	DIN Rail	LV C5JU 0149 0427 A	2, 6, 8
146E-1620-2000	120 VAC	J t/c	300 to 800°F	Low Limit	Manual Reset	8A Relay	Integral	DIN Rail	LV C6HY 0300 0800 A	6, 8
146E-1620-2000	120 VAC	J t/c	149 to 427°C	Low Limit	Manual Reset	8A Relay	Integral	DIN Rail	LV C6JY 0149 0427 A	6, 8
146E-1620-2N00	120 VAC	J t/c	300 to 800°F	Low Limit	Manual Reset	8A Relay	Remote	DIN Rail	LV C5HY 0300 0800 A	2, 6, 8
146E-1620-2N00	120 VAC	J t/c	149 to 427°C	Low Limit	Manual Reset	8A Relay	Remote	DIN Rail	LV C5JY 0149 0427 A	2, 6, 8
146E-1620-2P00	120 VAC	J t/c	300 to 800°F	Low Limit	Manual Reset	8A Relay	Remote	DIN Rail	LV C5HY 0300 0800 A	2, 6, 8
146E-1620-2P00	120 VAC	J t/c	149 to 427°C	Low Limit	Manual Reset	8A Relay	Remote	DIN Rail	LV C5JY 0149 0427 A	2, 6, 8
146E-1620-2S00	120 VAC	J t/c	300 to 800°F	Low Limit	Manual Reset	8A Relay	Remote	DIN Rail	LV C5HY 0300 0800 A	2, 6, 8
146E-1620-2S00	120 VAC	J t/c	149 to 427°C	Low Limit	Manual Reset	8A Relay	Remote	DIN Rail	LV C5JY 0149 0427 A	2, 6, 8
146E-1620-3000	120 VAC	J t/c	300 to 800°F	High Limit	Auto Reset	8A Relay	Integral	DIN Rail	LV C6HW 0300 0800 A	6, 8
146E-1620-3000	120 VAC	J t/c	149 to 427°C	High Limit	Auto Reset	8A Relay	Integral	DIN Rail	LV C6JW 0149 0427 A	6, 8
146E-1620-3N00	120 VAC	J t/c	300 to 800°F	High Limit	Auto Reset	8A Relay	Remote	DIN Rail	LV C5HW 0300 0800 A	2, 6, 8
146E-1620-3N00	120 VAC	J t/c	149 to 427°C	High Limit	Auto Reset	8A Relay	Remote	DIN Rail	LV C5JW 0149 0427 A	2, 6, 8
146E-1620-3P00	120 VAC	J t/c	300 to 800°F	High Limit	Auto Reset	8A Relay	Remote	DIN Rail	LV C5HW 0300 0800 A	2, 6, 8
146E-1620-3P00	120 VAC	J t/c	149 to 427°C	High Limit	Auto Reset	8A Relay	Remote	DIN Rail	LV C5JW 0149 0427 A	2, 6, 8
146E-1620-3S00	120 VAC	J t/c	300 to 800°F	High Limit	Auto Reset	8A Relay	Remote	DIN Rail	LV C5HW 0300 0800 A	2, 6, 8
146E-1620-3S00	120 VAC	J t/c	149 to 427°C	High Limit	Auto Reset	8A Relay	Remote	DIN Rail	LV C5JW 0149 0427 A	2, 6, 8
146E-1620-4000	120 VAC	J t/c	300 to 800°F	Low Limit	Auto Reset	8A Relay	Integral	DIN Rail	LV C6HZ 0300 0800 A	6, 8
146E-1620-4000	120 VAC	J t/c	149 to 427°C	Low Limit	Auto Reset	8A Relay	Integral	DIN Rail	LV C6JZ 0149 0427 A	6, 8
146E-1620-4N00	120 VAC	J t/c	300 to 800°F	Low Limit	Auto Reset	8A Relay	Remote	DIN Rail	LV C5HZ 0300 0800 A	2, 6, 8
146E-1620-4N00	120 VAC	J t/c	149 to 427°C	Low Limit	Auto Reset	8A Relay	Remote	DIN Rail	LV C5JZ 0149 0427 A	2, 6, 8
146E-1620-4P00	120 VAC	J t/c	300 to 800°F	Low Limit	Auto Reset	8A Relay	Remote	DIN Rail	LV C5HZ 0300 0800 A	2, 6, 8
146E-1620-4P00	120 VAC	J t/c	149 to 427°C	Low Limit	Auto Reset	8A Relay	Remote	DIN Rail	LV C5JZ 0149 0427 A	2, 6, 8
146E-1620-4S00	120 VAC	J t/c	300 to 800°F	Low Limit	Auto Reset	8A Relay	Remote	DIN Rail	LV C5HZ 0300 0800 A	2, 6, 8
146E-1620-4S00	120 VAC	J t/c	149 to 427°C	Low Limit	Auto Reset	8A Relay	Remote	DIN Rail	LV C5JZ 0149 0427 A	2, 6, 8
146E-1623-1000	120 VAC	J t/c	110 to 130°F	High Limit	Manual Reset	8A Relay	Integral	DIN Rail	LV C6HU 0110 0130 A	6, 8
146E-1623-1000	120 VAC	J t/c	43 to 54°C	High Limit	Manual Reset	8A Relay	Integral	DIN Rail	LV C6JU 0043 0054 A	6, 8
146E-1623-1N00	120 VAC	J t/c	110 to 130°F	High Limit	Manual Reset	8A Relay	Remote	DIN Rail	LV C5HU 0110 0130 A	2, 6, 8
146E-1623-1N00	120 VAC	J t/c	43 to 54°C	High Limit	Manual Reset	8A Relay	Remote	DIN Rail	LV C5JU 0043 0054 A	2, 6, 8
146E-1623-1P00	120 VAC	J t/c	110 to 130°F	High Limit	Manual Reset	8A Relay	Remote	DIN Rail	LV C5HU 0110 0130 A	2, 6, 8
146E-1623-1P00	120 VAC	J t/c	43 to 54°C	High Limit	Manual Reset	8A Relay	Remote	DIN Rail	LV C5JU 0043 0054 A	2, 6, 8
146E-1623-1S00	120 VAC	J t/c	110 to 130°F	High Limit	Manual Reset	8A Relay	Remote	DIN Rail	LV C5HU 0110 0130 A	2, 6, 8
146E-1623-1S00	120 VAC	J t/c	43 to 54°C	High Limit	Manual Reset	8A Relay	Remote	DIN Rail	LV C5JU 0043 0054 A	2, 6, 8

Series 146

Series 146	Line Voltage	Input	Temp Range	Control Mode	Action	Output	Set Point	Mounting	Retrofit control	See Notes Below
146E-1623-2000	120 VAC	J t/c	110 to 130°F	Low Limit	Manual Reset	8A Relay	Integral	DIN Rail	LV C6HY 0110 0130 A	6, 8
146E-1623-2000	120 VAC	J t/c	43 to 54°C	Low Limit	Manual Reset	8A Relay	Integral	DIN Rail	LV C6JY 0043 0054 A	6, 8
146E-1623-2N00	120 VAC	J t/c	110 to 130°F	Low Limit	Manual Reset	8A Relay	Remote	DIN Rail	LV C5HY 0110 0130 A	2, 6, 8
146E-1623-2N00	120 VAC	J t/c	43 to 54°C	Low Limit	Manual Reset	8A Relay	Remote	DIN Rail	LV C5JY 0043 0054 A	2, 6, 8
146E-1623-2P00	120 VAC	J t/c	110 to 130°F	Low Limit	Manual Reset	8A Relay	Remote	DIN Rail	LV C5HY 0110 0130 A	2, 6, 8
146E-1623-2P00	120 VAC	J t/c	43 to 54°C	Low Limit	Manual Reset	8A Relay	Remote	DIN Rail	LV C5JY 0043 0054 A	2, 6, 8
146E-1623-2S00	120 VAC	J t/c	110 to 130°F	Low Limit	Manual Reset	8A Relay	Remote	DIN Rail	LV C5HY 0110 0130 A	2, 6, 8
146E-1623-2S00	120 VAC	J t/c	43 to 54°C	Low Limit	Manual Reset	8A Relay	Remote	DIN Rail	LV C5JY 0043 0054 A	2, 6, 8
146E-1623-3000	120 VAC	J t/c	110 to 130°F	High Limit	Auto Reset	8A Relay	Integral	DIN Rail	LV C6HW 0110 0130 A	6, 8
146E-1623-3000	120 VAC	J t/c	43 to 54°C	High Limit	Auto Reset	8A Relay	Integral	DIN Rail	LV C6JW 0043 0054 A	6, 8
146E-1623-3N00	120 VAC	J t/c	110 to 130°F	High Limit	Auto Reset	8A Relay	Remote	DIN Rail	LV C5HW 0110 0130 A	2, 6, 8
146E-1623-3N00	120 VAC	J t/c	43 to 54°C	High Limit	Auto Reset	8A Relay	Remote	DIN Rail	LV C5JW 0043 0054 A	2, 6, 8
146E-1623-3P00	120 VAC	J t/c	110 to 130°F	High Limit	Auto Reset	8A Relay	Remote	DIN Rail	LV C5HW 0110 0130 A	2, 6, 8
146E-1623-3P00	120 VAC	J t/c	43 to 54°C	High Limit	Auto Reset	8A Relay	Remote	DIN Rail	LV C5JW 0043 0054 A	2, 6, 8
146E-1623-3S00	120 VAC	J t/c	110 to 130°F	High Limit	Auto Reset	8A Relay	Remote	DIN Rail	LV C5HW 0110 0130 A	2, 6, 8
146E-1623-3S00	120 VAC	J t/c	43 to 54°C	High Limit	Auto Reset	8A Relay	Remote	DIN Rail	LV C5JW 0043 0054 A	2, 6, 8
146E-1623-4000	120 VAC	J t/c	110 to 130°F	Low Limit	Auto Reset	8A Relay	Integral	DIN Rail	LV C6HZ 0110 0130 A	6, 8
146E-1623-4000	120 VAC	J t/c	43 to 54°C	Low Limit	Auto Reset	8A Relay	Integral	DIN Rail	LV C6JZ 0043 0054 A	6, 8
146E-1623-4N00	120 VAC	J t/c	110 to 130°F	Low Limit	Auto Reset	8A Relay	Remote	DIN Rail	LV C5HZ 0110 0130 A	2, 6, 8
146E-1623-4N00	120 VAC	J t/c	43 to 54°C	Low Limit	Auto Reset	8A Relay	Remote	DIN Rail	LV C5JZ 0043 0054 A	2, 6, 8
146E-1623-4P00	120 VAC	J t/c	110 to 130°F	Low Limit	Auto Reset	8A Relay	Remote	DIN Rail	LV C5HZ 0110 0130 A	2, 6, 8
146E-1623-4P00	120 VAC	J t/c	43 to 54°C	Low Limit	Auto Reset	8A Relay	Remote	DIN Rail	LV C5JZ 0043 0054 A	2, 6, 8
146E-1623-4S00	120 VAC	J t/c	110 to 130°F	Low Limit	Auto Reset	8A Relay	Remote	DIN Rail	LV C5HZ 0110 0130 A	2, 6, 8
146E-1623-4S00	120 VAC	J t/c	43 to 54°C	Low Limit	Auto Reset	8A Relay	Remote	DIN Rail	LV C5JZ 0043 0054 A	2, 6, 8
146E-1625-1000	120 VAC	J t/c	250 to 430°F	High Limit	Manual Reset	8A Relay	Integral	DIN Rail	LV C6HU 0250 0430 A	6, 8
146E-1625-1000	120 VAC	J t/c	121 to 221°C	High Limit	Manual Reset	8A Relay	Integral	DIN Rail	LV C6JU 0121 0221 A	6, 8
146E-1625-1N00	120 VAC	J t/c	250 to 430°F	High Limit	Manual Reset	8A Relay	Remote	DIN Rail	LV C5HU 0250 0430 A	2, 6, 8
146E-1625-1N00	120 VAC	J t/c	121 to 221°C	High Limit	Manual Reset	8A Relay	Remote	DIN Rail	LV C5JU 0121 0221 A	2, 6, 8
146E-1625-1P00	120 VAC	J t/c	250 to 430°F	High Limit	Manual Reset	8A Relay	Remote	DIN Rail	LV C5HU 0250 0430 A	2, 6, 8
146E-1625-1P00	120 VAC	J t/c	121 to 221°C	High Limit	Manual Reset	8A Relay	Remote	DIN Rail	LV C5JU 0121 0221 A	2, 6, 8
146E-1625-1S00	120 VAC	J t/c	250 to 430°F	High Limit	Manual Reset	8A Relay	Remote	DIN Rail	LV C5HU 0250 0430 A	2, 6, 8
146E-1625-1S00	120 VAC	J t/c	121 to 221°C	High Limit	Manual Reset	8A Relay	Remote	DIN Rail	LV C5JU 0121 0221 A	2, 6, 8
146E-1625-2000	120 VAC	J t/c	250 to 430°F	Low Limit	Manual Reset	8A Relay	Integral	DIN Rail	LV C6HY 0250 0430 A	6, 8
146E-1625-2000	120 VAC	J t/c	121 to 221°C	Low Limit	Manual Reset	8A Relay	Integral	DIN Rail	LV C6JY 0121 0221 A	6, 8
146E-1625-2N00	120 VAC	J t/c	250 to 430°F	Low Limit	Manual Reset	8A Relay	Remote	DIN Rail	LV C5HY 0250 0430 A	2, 6, 8
146E-1625-2N00	120 VAC	J t/c	121 to 221°C	Low Limit	Manual Reset	8A Relay	Remote	DIN Rail	LV C5JY 0121 0221 A	2, 6, 8
146E-1625-2P00	120 VAC	J t/c	250 to 430°F	Low Limit	Manual Reset	8A Relay	Remote	DIN Rail	LV C5HY 0250 0430 A	2, 6, 8
146E-1625-2P00	120 VAC	J t/c	121 to 221°C	Low Limit	Manual Reset	8A Relay	Remote	DIN Rail	LV C5JY 0121 0221 A	2, 6, 8
146E-1625-2S00	120 VAC	J t/c	250 to 430°F	Low Limit	Manual Reset	8A Relay	Remote	DIN Rail	LV C5HY 0250 0430 A	2, 6, 8
146E-1625-2S00	120 VAC	J t/c	121 to 221°C	Low Limit	Manual Reset	8A Relay	Remote	DIN Rail	LV C5JY 0121 0221 A	2, 6, 8
146E-1625-3000	120 VAC	J t/c	250 to 430°F	High Limit	Auto Reset	8A Relay	Integral	DIN Rail	LV C6HW 0250 0430 A	6, 8

Series 146

<u>Series 146</u>	Line Voltage	Input	Temp Range	Control Mode	Action	Output	Set Point	Mounting	Retrofit control	See Notes Below
146E-1625-3000	120 VAC	J t/c	121 to 221°C	High Limit	Auto Reset	8A Relay	Integral	DIN Rail	LV C6JW 0121 0221 A	6, 8
146E-1625-3N00	120 VAC	J t/c	250 to 430°F	High Limit	Auto Reset	8A Relay	Remote	DIN Rail	LV C5HW 0250 0430 A	2, 6, 8
146E-1625-3N00	120 VAC	J t/c	121 to 221°C	High Limit	Auto Reset	8A Relay	Remote	DIN Rail	LV C5JW 0121 0221 A	2, 6, 8
146E-1625-3P00	120 VAC	J t/c	250 to 430°F	High Limit	Auto Reset	8A Relay	Remote	DIN Rail	LV C5HW 0250 0430 A	2, 6, 8
146E-1625-3P00	120 VAC	J t/c	121 to 221°C	High Limit	Auto Reset	8A Relay	Remote	DIN Rail	LV C5JW 0121 0221 A	2, 6, 8
146E-1625-3S00	120 VAC	J t/c	250 to 430°F	High Limit	Auto Reset	8A Relay	Remote	DIN Rail	LV C5HW 0250 0430 A	2, 6, 8
146E-1625-3S00	120 VAC	J t/c	121 to 221°C	High Limit	Auto Reset	8A Relay	Remote	DIN Rail	LV C5JW 0121 0221 A	2, 6, 8
146E-1625-4000	120 VAC	J t/c	250 to 430°F	Low Limit	Auto Reset	8A Relay	Integral	DIN Rail	LV C6HZ 0250 0430 A	6, 8
146E-1625-4000	120 VAC	J t/c	121 to 221°C	Low Limit	Auto Reset	8A Relay	Integral	DIN Rail	LV C6JZ 0121 0221 A	6, 8
146E-1625-4N00	120 VAC	J t/c	250 to 430°F	Low Limit	Auto Reset	8A Relay	Remote	DIN Rail	LV C5HZ 0250 0430 A	2, 6, 8
146E-1625-4N00	120 VAC	J t/c	121 to 221°C	Low Limit	Auto Reset	8A Relay	Remote	DIN Rail	LV C5JZ 0121 0221 A	2, 6, 8
146E-1625-4P00	120 VAC	J t/c	250 to 430°F	Low Limit	Auto Reset	8A Relay	Remote	DIN Rail	LV C5HZ 0250 0430 A	2, 6, 8
146E-1625-4P00	120 VAC	J t/c	121 to 221°C	Low Limit	Auto Reset	8A Relay	Remote	DIN Rail	LV C5JZ 0121 0221 A	2, 6, 8
146E-1625-4S00	120 VAC	J t/c	250 to 430°F	Low Limit	Auto Reset	8A Relay	Remote	DIN Rail	LV C5HZ 0250 0430 A	2, 6, 8
146E-1625-4S00	120 VAC	J t/c	121 to 221°C	Low Limit	Auto Reset	8A Relay	Remote	DIN Rail	LV C5JZ 0121 0221 A	2, 6, 8
146E-1626-1000	120 VAC	K t/c	60 to 300°F	High Limit	Manual Reset	8A Relay	Integral	DIN Rail	LV C6KU 0060 0300 A	6, 8
146E-1626-1000	120 VAC	K t/c	16 to 149°C	High Limit	Manual Reset	8A Relay	Integral	DIN Rail	LV C6LU 0016 0149 A	6, 8
146E-1626-1N00	120 VAC	K t/c	60 to 300°F	High Limit	Manual Reset	8A Relay	Remote	DIN Rail	LV C5KU 0060 0300 A	2, 6, 8
146E-1626-1N00	120 VAC	K t/c	16 to 149°C	High Limit	Manual Reset	8A Relay	Remote	DIN Rail	LV C5LU 0016 0149 A	2, 6, 8
146E-1626-1P00	120 VAC	K t/c	60 to 300°F	High Limit	Manual Reset	8A Relay	Remote	DIN Rail	LV C5KU 0060 0300 A	2, 6, 8
146E-1626-1P00	120 VAC	K t/c	16 to 149°C	High Limit	Manual Reset	8A Relay	Remote	DIN Rail	LV C5LU 0016 0149 A	2, 6, 8
146E-1626-1S00	120 VAC	K t/c	60 to 300°F	High Limit	Manual Reset	8A Relay	Remote	DIN Rail	LV C5KU 0060 0300 A	2, 6, 8
146E-1626-1S00	120 VAC	K t/c	16 to 149°C	High Limit	Manual Reset	8A Relay	Remote	DIN Rail	LV C5LU 0016 0149 A	2, 6, 8
146E-1626-2000	120 VAC	K t/c	60 to 300°F	Low Limit	Manual Reset	8A Relay	Integral	DIN Rail	LV C6KY 0060 0300 A	6, 8
146E-1626-2000	120 VAC	K t/c	16 to 149°C	Low Limit	Manual Reset	8A Relay	Integral	DIN Rail	LV C6LY 0016 0149 A	6, 8
146E-1626-2N00	120 VAC	K t/c	60 to 300°F	Low Limit	Manual Reset	8A Relay	Remote	DIN Rail	LV C5KY 0060 0300 A	2, 6, 8
146E-1626-2N00	120 VAC	K t/c	16 to 149°C	Low Limit	Manual Reset	8A Relay	Remote	DIN Rail	LV C5LY 0016 0149 A	2, 6, 8
146E-1626-2P00	120 VAC	K t/c	60 to 300°F	Low Limit	Manual Reset	8A Relay	Remote	DIN Rail	LV C5KY 0060 0300 A	2, 6, 8
146E-1626-2P00	120 VAC	K t/c	16 to 149°C	Low Limit	Manual Reset	8A Relay	Remote	DIN Rail	LV C5LY 0016 0149 A	2, 6, 8
146E-1626-2S00	120 VAC	K t/c	60 to 300°F	Low Limit	Manual Reset	8A Relay	Remote	DIN Rail	LV C5KY 0060 0300 A	2, 6, 8
146E-1626-2S00	120 VAC	K t/c	16 to 149°C	Low Limit	Manual Reset	8A Relay	Remote	DIN Rail	LV C5LY 0016 0149 A	2, 6, 8
146E-1626-3000	120 VAC	K t/c	60 to 300°F	High Limit	Auto Reset	8A Relay	Integral	DIN Rail	LV C6KW 0060 0300 A	6, 8
146E-1626-3000	120 VAC	K t/c	16 to 149°C	High Limit	Auto Reset	8A Relay	Integral	DIN Rail	LV C6LW 0016 0149 A	6, 8
146E-1626-3N00	120 VAC	K t/c	60 to 300°F	High Limit	Auto Reset	8A Relay	Remote	DIN Rail	LV C5KW 0060 0300 A	2, 6, 8
146E-1626-3N00	120 VAC	K t/c	16 to 149°C	High Limit	Auto Reset	8A Relay	Remote	DIN Rail	LV C5LW 0016 0149 A	2, 6, 8
146E-1626-3P00	120 VAC	K t/c	60 to 300°F	High Limit	Auto Reset	8A Relay	Remote	DIN Rail	LV C5KW 0060 0300 A	2, 6, 8
146E-1626-3P00	120 VAC	K t/c	16 to 149°C	High Limit	Auto Reset	8A Relay	Remote	DIN Rail	LV C5LW 0016 0149 A	2, 6, 8
146E-1626-3S00	120 VAC	K t/c	60 to 300°F	High Limit	Auto Reset	8A Relay	Remote	DIN Rail	LV C5KW 0060 0300 A	2, 6, 8
146E-1626-3S00	120 VAC	K t/c	16 to 149°C	High Limit	Auto Reset	8A Relay	Remote	DIN Rail	LV C5LW 0016 0149 A	2, 6, 8
146E-1626-4000	120 VAC	K t/c	60 to 300°F	Low Limit	Auto Reset	8A Relay	Integral	DIN Rail	LV C6KY 0060 0300 A	6, 8
146E-1626-4000	120 VAC	K t/c	16 to 149°C	Low Limit	Auto Reset	8A Relay	Integral	DIN Rail	LV C6LZ 0016 0149 A	6, 8

Series 146

Series 146	Line Voltage	Input	Temp Range	Control Mode	Action	Output	Set Point	Mounting	Retrofit control	See Notes Below
146E-1626-4N00	120 VAC	K t/c	60 to 300°F	Low Limit	Auto Reset	8A Relay	Remote	DIN Rail	LV C5KY 0060 0300 A	2, 6, 8
146E-1626-4N00	120 VAC	K t/c	16 to 149°C	Low Limit	Auto Reset	8A Relay	Remote	DIN Rail	LV C5LZ 0016 0149 A	2, 6, 8
146E-1626-4P00	120 VAC	K t/c	60 to 300°F	Low Limit	Auto Reset	8A Relay	Remote	DIN Rail	LV C5KY 0060 0300 A	2, 6, 8
146E-1626-4P00	120 VAC	K t/c	16 to 149°C	Low Limit	Auto Reset	8A Relay	Remote	DIN Rail	LV C5LZ 0016 0149 A	2, 6, 8
146E-1626-4S00	120 VAC	K t/c	60 to 300°F	Low Limit	Auto Reset	8A Relay	Remote	DIN Rail	LV C5KY 0060 0300 A	2, 6, 8
146E-1626-4S00	120 VAC	K t/c	16 to 149°C	Low Limit	Auto Reset	8A Relay	Remote	DIN Rail	LV C5LZ 0016 0149 A	2, 6, 8
146E-1627-1000	120 VAC	K t/c	32 to 150°F	High Limit	Manual Reset	8A Relay	Integral	DIN Rail	LV C6KU 0032 0150 A	6, 8
146E-1627-1000	120 VAC	K t/c	0 to 66°C	High Limit	Manual Reset	8A Relay	Integral	DIN Rail	LV C6LU 0000 0066 A	6, 8
146E-1627-1N00	120 VAC	K t/c	32 to 150°F	High Limit	Manual Reset	8A Relay	Remote	DIN Rail	LV C5KU 0032 0150 A	2, 6, 8
146E-1627-1N00	120 VAC	K t/c	0 to 66°C	High Limit	Manual Reset	8A Relay	Remote	DIN Rail	LV C5LU 0000 0066 A	2, 6, 8
146E-1627-1P00	120 VAC	K t/c	32 to 150°F	High Limit	Manual Reset	8A Relay	Remote	DIN Rail	LV C5KU 0032 0150 A	2, 6, 8
146E-1627-1P00	120 VAC	K t/c	0 to 66°C	High Limit	Manual Reset	8A Relay	Remote	DIN Rail	LV C5LU 0000 0066 A	2, 6, 8
146E-1627-1S00	120 VAC	K t/c	32 to 150°F	High Limit	Manual Reset	8A Relay	Remote	DIN Rail	LV C5KU 0032 0150 A	2, 6, 8
146E-1627-1S00	120 VAC	K t/c	0 to 66°C	High Limit	Manual Reset	8A Relay	Remote	DIN Rail	LV C5LU 0000 0066 A	2, 6, 8
146E-1627-2000	120 VAC	K t/c	32 to 150°F	Low Limit	Manual Reset	8A Relay	Integral	DIN Rail	LV C6KY 0032 0150 A	6, 8
146E-1627-2000	120 VAC	K t/c	0 to 66°C	Low Limit	Manual Reset	8A Relay	Integral	DIN Rail	LV C6LY 0000 0066 A	6, 8
146E-1627-2N00	120 VAC	K t/c	32 to 150°F	Low Limit	Manual Reset	8A Relay	Remote	DIN Rail	LV C5KY 0032 0150 A	2, 6, 8
146E-1627-2N00	120 VAC	K t/c	0 to 66°C	Low Limit	Manual Reset	8A Relay	Remote	DIN Rail	LV C5LY 0000 0066 A	2, 6, 8
146E-1627-2P00	120 VAC	K t/c	32 to 150°F	Low Limit	Manual Reset	8A Relay	Remote	DIN Rail	LV C5KY 0032 0150 A	2, 6, 8
146E-1627-2P00	120 VAC	K t/c	0 to 66°C	Low Limit	Manual Reset	8A Relay	Remote	DIN Rail	LV C5LY 0000 0066 A	2, 6, 8
146E-1627-2S00	120 VAC	K t/c	32 to 150°F	Low Limit	Manual Reset	8A Relay	Remote	DIN Rail	LV C5KY 0032 0150 A	2, 6, 8
146E-1627-2S00	120 VAC	K t/c	0 to 66°C	Low Limit	Manual Reset	8A Relay	Remote	DIN Rail	LV C5LY 0000 0066 A	2, 6, 8
146E-1627-3000	120 VAC	K t/c	32 to 150°F	High Limit	Auto Reset	8A Relay	Integral	DIN Rail	LV C6KW 0032 0150 A	6, 8
146E-1627-3000	120 VAC	K t/c	0 to 66°C	High Limit	Auto Reset	8A Relay	Integral	DIN Rail	LV C6LW 0000 0066 A	6, 8
146E-1627-3N00	120 VAC	K t/c	32 to 150°F	High Limit	Auto Reset	8A Relay	Remote	DIN Rail	LV C5KW 0032 0150 A	2, 6, 8
146E-1627-3N00	120 VAC	K t/c	0 to 66°C	High Limit	Auto Reset	8A Relay	Remote	DIN Rail	LV C5LW 0000 0066 A	2, 6, 8
146E-1627-3P00	120 VAC	K t/c	32 to 150°F	High Limit	Auto Reset	8A Relay	Remote	DIN Rail	LV C5KW 0032 0150 A	2, 6, 8
146E-1627-3P00	120 VAC	K t/c	0 to 66°C	High Limit	Auto Reset	8A Relay	Remote	DIN Rail	LV C5LW 0000 0066 A	2, 6, 8
146E-1627-3S00	120 VAC	K t/c	32 to 150°F	High Limit	Auto Reset	8A Relay	Remote	DIN Rail	LV C5KW 0032 0150 A	2, 6, 8
146E-1627-3S00	120 VAC	K t/c	0 to 66°C	High Limit	Auto Reset	8A Relay	Remote	DIN Rail	LV C5LW 0000 0066 A	2, 6, 8
146E-1627-4000	120 VAC	K t/c	32 to 150°F	Low Limit	Auto Reset	8A Relay	Integral	DIN Rail	LV C6KZ 0032 0150 A	6, 8
146E-1627-4000	120 VAC	K t/c	0 to 66°C	Low Limit	Auto Reset	8A Relay	Integral	DIN Rail	LV C6LZ 0000 0066 A	6, 8
146E-1627-4N00	120 VAC	K t/c	32 to 150°F	Low Limit	Auto Reset	8A Relay	Remote	DIN Rail	LV C5KZ 0032 0150 A	2, 6, 8
146E-1627-4N00	120 VAC	K t/c	0 to 66°C	Low Limit	Auto Reset	8A Relay	Remote	DIN Rail	LV C5LZ 0000 0066 A	2, 6, 8
146E-1627-4P00	120 VAC	K t/c	32 to 150°F	Low Limit	Auto Reset	8A Relay	Remote	DIN Rail	LV C5KZ 0032 0150 A	2, 6, 8
146E-1627-4P00	120 VAC	K t/c	0 to 66°C	Low Limit	Auto Reset	8A Relay	Remote	DIN Rail	LV C5LZ 0000 0066 A	2, 6, 8
146E-1627-4S00	120 VAC	K t/c	32 to 150°F	Low Limit	Auto Reset	8A Relay	Remote	DIN Rail	LV C5KZ 0032 0150 A	2, 6, 8
146E-1627-4S00	120 VAC	K t/c	0 to 66°C	Low Limit	Auto Reset	8A Relay	Remote	DIN Rail	LV C5LZ 0000 0066 A	2, 6, 8
146E-1628-1000	120 VAC	K t/c	0 to 600°F	High Limit	Manual Reset	8A Relay	Integral	DIN Rail	LV C6KU 0000 0600 A	6, 8
146E-1628-1000	120 VAC	K t/c	-17 to 315°C	High Limit	Manual Reset	8A Relay	Integral	DIN Rail	LV C6LU -017 0315 A	6, 8
146E-1628-1N00	120 VAC	K t/c	0 to 600°F	High Limit	Manual Reset	8A Relay	Remote	DIN Rail	LV C5KU 0000 0600 A	2, 6, 8

Series 146

Series 146	Line Voltage	Input	Temp Range	Control Mode	Action	Output	Set Point	Mounting	Retrofit control	See Notes Below
146E-1628-1N00	120 VAC	K t/c	-17 to 315°C	High Limit	Manual Reset	8A Relay	Remote	DIN Rail	LV C5LU -017 0315 A	2, 6, 8
146E-1628-1P00	120 VAC	K t/c	0 to 600°F	High Limit	Manual Reset	8A Relay	Remote	DIN Rail	LV C5KU 0000 0600 A	2, 6, 8
146E-1628-1P00	120 VAC	K t/c	-17 to 315°C	High Limit	Manual Reset	8A Relay	Remote	DIN Rail	LV C5LU -017 0315 A	2, 6, 8
146E-1628-1S00	120 VAC	K t/c	0 to 600°F	High Limit	Manual Reset	8A Relay	Remote	DIN Rail	LV C5KU 0000 0600 A	2, 6, 8
146E-1628-1S00	120 VAC	K t/c	-17 to 315°C	High Limit	Manual Reset	8A Relay	Remote	DIN Rail	LV C5LU -017 0315 A	2, 6, 8
146E-1628-2000	120 VAC	K t/c	0 to 600°F	Low Limit	Manual Reset	8A Relay	Integral	DIN Rail	LV C6KY 0000 0600 A	6, 8
146E-1628-2000	120 VAC	K t/c	-17 to 315°C	Low Limit	Manual Reset	8A Relay	Integral	DIN Rail	LV C6LY -017 0315 A	6, 8
146E-1628-2N00	120 VAC	K t/c	0 to 600°F	Low Limit	Manual Reset	8A Relay	Remote	DIN Rail	LV C5KY 0000 0600 A	2, 6, 8
146E-1628-2N00	120 VAC	K t/c	-17 to 315°C	Low Limit	Manual Reset	8A Relay	Remote	DIN Rail	LV C5LY -017 0315 A	2, 6, 8
146E-1628-2P00	120 VAC	K t/c	0 to 600°F	Low Limit	Manual Reset	8A Relay	Remote	DIN Rail	LV C5KY 0000 0600 A	2, 6, 8
146E-1628-2P00	120 VAC	K t/c	-17 to 315°C	Low Limit	Manual Reset	8A Relay	Remote	DIN Rail	LV C5LY -017 0315 A	2, 6, 8
146E-1628-2S00	120 VAC	K t/c	0 to 600°F	Low Limit	Manual Reset	8A Relay	Remote	DIN Rail	LV C5KY 0000 0600 A	2, 6, 8
146E-1628-2S00	120 VAC	K t/c	-17 to 315°C	Low Limit	Manual Reset	8A Relay	Remote	DIN Rail	LV C5LY -017 0315 A	2, 6, 8
146E-1628-3000	120 VAC	K t/c	0 to 600°F	High Limit	Auto Reset	8A Relay	Integral	DIN Rail	LV C6KW 0000 0600 A	6, 8
146E-1628-3000	120 VAC	K t/c	-17 to 315°C	High Limit	Auto Reset	8A Relay	Integral	DIN Rail	LV C6LW -017 0315 A	6, 8
146E-1628-3N00	120 VAC	K t/c	0 to 600°F	High Limit	Auto Reset	8A Relay	Remote	DIN Rail	LV C5KW 0000 0600 A	2, 6, 8
146E-1628-3N00	120 VAC	K t/c	-17 to 315°C	High Limit	Auto Reset	8A Relay	Remote	DIN Rail	LV C5LW -017 0315 A	2, 6, 8
146E-1628-3P00	120 VAC	K t/c	0 to 600°F	High Limit	Auto Reset	8A Relay	Remote	DIN Rail	LV C5KW 0000 0600 A	2, 6, 8
146E-1628-3P00	120 VAC	K t/c	-17 to 315°C	High Limit	Auto Reset	8A Relay	Remote	DIN Rail	LV C5LW -017 0315 A	2, 6, 8
146E-1628-3S00	120 VAC	K t/c	0 to 600°F	High Limit	Auto Reset	8A Relay	Remote	DIN Rail	LV C5KW 0000 0600 A	2, 6, 8
146E-1628-3S00	120 VAC	K t/c	-17 to 315°C	High Limit	Auto Reset	8A Relay	Remote	DIN Rail	LV C5LW -017 0315 A	2, 6, 8
146E-1628-4000	120 VAC	K t/c	0 to 600°F	Low Limit	Auto Reset	8A Relay	Integral	DIN Rail	LV C6KZ 0000 0600 A	6, 8
146E-1628-4000	120 VAC	K t/c	-17 to 315°C	Low Limit	Auto Reset	8A Relay	Integral	DIN Rail	LV C6LZ -017 0315 A	6, 8
146E-1628-4N00	120 VAC	K t/c	0 to 600°F	Low Limit	Auto Reset	8A Relay	Remote	DIN Rail	LV C5KZ 0000 0600 A	2, 6, 8
146E-1628-4N00	120 VAC	K t/c	-17 to 315°C	Low Limit	Auto Reset	8A Relay	Remote	DIN Rail	LV C5LZ -017 0315 A	2, 6, 8
146E-1628-4P00	120 VAC	K t/c	0 to 600°F	Low Limit	Auto Reset	8A Relay	Remote	DIN Rail	LV C5KZ 0000 0600 A	2, 6, 8
146E-1628-4P00	120 VAC	K t/c	-17 to 315°C	Low Limit	Auto Reset	8A Relay	Remote	DIN Rail	LV C5LZ -017 0315 A	2, 6, 8
146E-1628-4S00	120 VAC	K t/c	0 to 600°F	Low Limit	Auto Reset	8A Relay	Remote	DIN Rail	LV C5KZ 0000 0600 A	2, 6, 8
146E-1628-4S00	120 VAC	K t/c	-17 to 315°C	Low Limit	Auto Reset	8A Relay	Remote	DIN Rail	LV C5LZ -017 0315 A	2, 6, 8
146E-1629-1000	120 VAC	T t/c	-328 to 662°F	High Limit	Manual Reset	8A Relay	Integral	DIN Rail	LV C6MU -328 0622 A	6, 8
146E-1629-1000	120 VAC	T t/c	-200 to 350°C	High Limit	Manual Reset	8A Relay	Integral	DIN Rail	LV C6NU -200 0350 A	6, 8
146E-1629-1N00	120 VAC	T t/c	-328 to 662°F	High Limit	Manual Reset	8A Relay	Remote	DIN Rail	LV C5MU -328 0622 A	2, 6, 8
146E-1629-1N00	120 VAC	T t/c	-200 to 350°C	High Limit	Manual Reset	8A Relay	Remote	DIN Rail	LV C5NU -200 0350 A	2, 6, 8
146E-1629-1P00	120 VAC	T t/c	-328 to 662°F	High Limit	Manual Reset	8A Relay	Remote	DIN Rail	LV C5MU -328 0622 A	2, 6, 8
146E-1629-1P00	120 VAC	T t/c	-200 to 350°C	High Limit	Manual Reset	8A Relay	Remote	DIN Rail	LV C5NU -200 0350 A	2, 6, 8
146E-1629-1S00	120 VAC	T t/c	-328 to 662°F	High Limit	Manual Reset	8A Relay	Remote	DIN Rail	LV C5MU -328 0622 A	2, 6, 8
146E-1629-1S00	120 VAC	T t/c	-200 to 350°C	High Limit	Manual Reset	8A Relay	Remote	DIN Rail	LV C5NU -200 0350 A	2, 6, 8
146E-1629-2000	120 VAC	T t/c	-328 to 662°F	Low Limit	Manual Reset	8A Relay	Integral	DIN Rail	LV C6MY -328 0622 A	6, 8
146E-1629-2000	120 VAC	T t/c	-200 to 350°C	Low Limit	Manual Reset	8A Relay	Integral	DIN Rail	LV C6NY -200 0350 A	6, 8
146E-1629-2N00	120 VAC	T t/c	-328 to 662°F	Low Limit	Manual Reset	8A Relay	Remote	DIN Rail	LV C5MY -328 0622 A	2, 6, 8
146E-1629-2N00	120 VAC	T t/c	-200 to 350°C	Low Limit	Manual Reset	8A Relay	Remote	DIN Rail	LV C5NY -200 0350 A	2, 6, 8

Series 146

Series 146	Line Voltage	Input	Temp Range	Control Mode	Action	Output	Set Point	Mounting	Retrofit control	See Notes Below
146E-1629-2P00	120 VAC	T t/c	-328 to 662°F	Low Limit	Manual Reset	8A Relay	Remote	DIN Rail	LV C5MY -328 0622 A	2, 6, 8
146E-1629-2P00	120 VAC	T t/c	-200 to 350°C	Low Limit	Manual Reset	8A Relay	Remote	DIN Rail	LV C5NY -200 0350 A	2, 6, 8
146E-1629-2S00	120 VAC	T t/c	-328 to 662°F	Low Limit	Manual Reset	8A Relay	Remote	DIN Rail	LV C5MY -328 0622 A	2, 6, 8
146E-1629-2S00	120 VAC	T t/c	-200 to 350°C	Low Limit	Manual Reset	8A Relay	Remote	DIN Rail	LV C5NY -200 0350 A	2, 6, 8
146E-1629-3000	120 VAC	T t/c	-328 to 662°F	High Limit	Auto Reset	8A Relay	Integral	DIN Rail	LV C6MW -328 0622 A	6, 8
146E-1629-3000	120 VAC	T t/c	-200 to 350°C	High Limit	Auto Reset	8A Relay	Integral	DIN Rail	LV C6NW -200 0350 A	6, 8
146E-1629-3N00	120 VAC	T t/c	-328 to 662°F	High Limit	Auto Reset	8A Relay	Remote	DIN Rail	LV C5MW -328 0622 A	2, 6, 8
146E-1629-3N00	120 VAC	T t/c	-200 to 350°C	High Limit	Auto Reset	8A Relay	Remote	DIN Rail	LV C5NW -200 0350 A	2, 6, 8
146E-1629-3P00	120 VAC	T t/c	-328 to 662°F	High Limit	Auto Reset	8A Relay	Remote	DIN Rail	LV C5MW -328 0622 A	2, 6, 8
146E-1629-3P00	120 VAC	T t/c	-200 to 350°C	High Limit	Auto Reset	8A Relay	Remote	DIN Rail	LV C5NW -200 0350 A	2, 6, 8
146E-1629-3S00	120 VAC	T t/c	-328 to 662°F	High Limit	Auto Reset	8A Relay	Remote	DIN Rail	LV C5MW -328 0622 A	2, 6, 8
146E-1629-3S00	120 VAC	T t/c	-200 to 350°C	High Limit	Auto Reset	8A Relay	Remote	DIN Rail	LV C5NW -200 0350 A	2, 6, 8
146E-1629-4000	120 VAC	T t/c	-328 to 662°F	Low Limit	Auto Reset	8A Relay	Integral	DIN Rail	LV C6MZ -328 0622 A	6, 8
146E-1629-4000	120 VAC	T t/c	-200 to 350°C	Low Limit	Auto Reset	8A Relay	Integral	DIN Rail	LV C6NZ -200 0350 A	6, 8
146E-1629-4N00	120 VAC	T t/c	-328 to 662°F	Low Limit	Auto Reset	8A Relay	Remote	DIN Rail	LV C5MZ -328 0622 A	2, 6, 8
146E-1629-4N00	120 VAC	T t/c	-200 to 350°C	Low Limit	Auto Reset	8A Relay	Remote	DIN Rail	LV C5NZ -200 0350 A	2, 6, 8
146E-1629-4P00	120 VAC	T t/c	-328 to 662°F	Low Limit	Auto Reset	8A Relay	Remote	DIN Rail	LV C5MZ -328 0622 A	2, 6, 8
146E-1629-4P00	120 VAC	T t/c	-200 to 350°C	Low Limit	Auto Reset	8A Relay	Remote	DIN Rail	LV C5NZ -200 0350 A	2, 6, 8
146E-1629-4S00	120 VAC	T t/c	-328 to 662°F	Low Limit	Auto Reset	8A Relay	Remote	DIN Rail	LV C5MZ -328 0622 A	2, 6, 8
146E-1629-4S00	120 VAC	T t/c	-200 to 350°C	Low Limit	Auto Reset	8A Relay	Remote	DIN Rail	LV C5NZ -200 0350 A	2, 6, 8
146E-1632-1000	120 VAC	T t/c	-103°F	High Limit	Manual Reset	8A Relay	Fixed	DIN Rail	LF C6MU -103 AAAA A	6, 8
146E-1632-1000	120 VAC	T t/c	-75°C	High Limit	Manual Reset	8A Relay	Fixed	DIN Rail	LF C6NU -075 AAAA A	6, 8
146E-1632-2000	120 VAC	T t/c	-103°F	Low Limit	Manual Reset	8A Relay	Fixed	DIN Rail	LF C6MY -103 AAAA A	6, 8
146E-1632-2000	120 VAC	T t/c	-75°C	Low Limit	Manual Reset	8A Relay	Fixed	DIN Rail	LF C6NY -075 AAAA A	6, 8
146E-1632-3000	120 VAC	T t/c	-103°F	High Limit	Auto Reset	8A Relay	Fixed	DIN Rail	LF C6MW -103 AAAA A	6, 8
146E-1632-3000	120 VAC	T t/c	-75°C	High Limit	Auto Reset	8A Relay	Fixed	DIN Rail	LF C6NW -075 AAAA A	6, 8
146E-1632-4000	120 VAC	T t/c	-103°F	Low Limit	Auto Reset	8A Relay	Fixed	DIN Rail	LF C6MZ -103 AAAA A	6, 8
146E-1632-4000	120 VAC	T t/c	-75°C	Low Limit	Auto Reset	8A Relay	Fixed	DIN Rail	LF C6NZ -075 AAAA A	6, 8
146E-1633-1000	120 VAC	J t/c	650°F	High Limit	Manual Reset	8A Relay	Fixed	DIN Rail	LF C6HU 0650 AAAA A	6, 8
146E-1633-1000	120 VAC	J t/c	343°C	High Limit	Manual Reset	8A Relay	Fixed	DIN Rail	LF C6JU 0343 AAAA A	6, 8
146E-1633-2000	120 VAC	J t/c	650°F	Low Limit	Manual Reset	8A Relay	Fixed	DIN Rail	LF C6HY 0650 AAAA A	6, 8
146E-1633-2000	120 VAC	J t/c	343°C	Low Limit	Manual Reset	8A Relay	Fixed	DIN Rail	LF C6JY 0343 AAAA A	6, 8
146E-1633-3000	120 VAC	J t/c	650°F	High Limit	Auto Reset	8A Relay	Fixed	DIN Rail	LF C6HW 0650 AAAA A	6, 8
146E-1633-3000	120 VAC	J t/c	343°C	High Limit	Auto Reset	8A Relay	Fixed	DIN Rail	LF C6JW 0343 AAAA A	6, 8
146E-1633-4000	120 VAC	J t/c	650°F	Low Limit	Auto Reset	8A Relay	Fixed	DIN Rail	LF C6HZ 0650 AAAA A	6, 8
146E-1633-4000	120 VAC	J t/c	343°C	Low Limit	Auto Reset	8A Relay	Fixed	DIN Rail	LF C6JZ 0343 AAAA A	6, 8
146E-1634-1000	120 VAC	K t/c	280°F	High Limit	Manual Reset	8A Relay	Fixed	DIN Rail	LF C6KU 0280 AAAA A	6, 8
146E-1634-1000	120 VAC	K t/c	138°C	High Limit	Manual Reset	8A Relay	Fixed	DIN Rail	LF C6LU 0138 AAAA A	6, 8
146E-1634-2000	120 VAC	K t/c	280°F	Low Limit	Manual Reset	8A Relay	Fixed	DIN Rail	LF C6KY 0280 AAAA A	6, 8
146E-1634-2000	120 VAC	K t/c	138°C	Low Limit	Manual Reset	8A Relay	Fixed	DIN Rail	LF C6LY 0138 AAAA A	6, 8
146E-1634-3000	120 VAC	K t/c	280°F	High Limit	Auto Reset	8A Relay	Fixed	DIN Rail	LF C6KW 0280 AAAA A	6, 8

Series 146

Series 146	Line Voltage	Input	Temp Range	Control Mode	Action	Output	Set Point	Mounting	Retrofit control	See Notes Below
146E-1634-3000	120 VAC	K t/c	138°C	High Limit	Auto Reset	8A Relay	Fixed	DIN Rail	LF C6LW 0138 AAAA A	6, 8
146E-1634-4000	120 VAC	K t/c	280°F	Low Limit	Auto Reset	8A Relay	Fixed	DIN Rail	LF C6KZ 0280 AAAA A	6, 8
146E-1634-4000	120 VAC	K t/c	138°C	Low Limit	Auto Reset	8A Relay	Fixed	DIN Rail	LF C6LZ 0138 AAAA A	6, 8
146E-1637-1000	120 VAC	K t/c	450°F	High Limit	Manual Reset	8A Relay	Fixed	DIN Rail	LF C6KU 0450 AAAA A	6, 8
146E-1637-1000	120 VAC	K t/c	232°C	High Limit	Manual Reset	8A Relay	Fixed	DIN Rail	LF C6LU 0232 AAAA A	6, 8
146E-1637-2000	120 VAC	K t/c	450°F	Low Limit	Manual Reset	8A Relay	Fixed	DIN Rail	LF C6KY 0450 AAAA A	6, 8
146E-1637-2000	120 VAC	K t/c	232°C	Low Limit	Manual Reset	8A Relay	Fixed	DIN Rail	LF C6LY 0232 AAAA A	6, 8
146E-1637-3000	120 VAC	K t/c	450°F	High Limit	Auto Reset	8A Relay	Fixed	DIN Rail	LF C6KW 0450 AAAA A	6, 8
146E-1637-3000	120 VAC	K t/c	232°C	High Limit	Auto Reset	8A Relay	Fixed	DIN Rail	LF C6LW 0232 AAAA A	6, 8
146E-1637-4000	120 VAC	K t/c	450°F	Low Limit	Auto Reset	8A Relay	Fixed	DIN Rail	LF C6KZ 0450 AAAA A	6, 8
146E-1637-4000	120 VAC	K t/c	232°C	Low Limit	Auto Reset	8A Relay	Fixed	DIN Rail	LF C6LZ 0232 AAAA A	6, 8
146E-1E1C-1100	120 VAC	E t/c	0 to 799°C	High Limit	Manual Reset	10A Relay	Integral	DIN Rail	LV C6TU 0000 0799 A	3, 6
146E-1E1C-1200	120 VAC	E t/c	0 to 799°C	High Limit	Manual Reset	10A Relay	Remote	DIN Rail	LV C5TU 0000 0799 A	2, 3, 6
146E-1E1C-2100	120 VAC	E t/c	0 to 799°C	Low Limit	Manual Reset	10A Relay	Integral	DIN Rail	LV C6TY 0000 0799 A	3, 6
146E-1E1C-2200	120 VAC	E t/c	0 to 799°C	Low Limit	Manual Reset	10A Relay	Remote	DIN Rail	LV C5TY 0000 0799 A	2, 3, 6
146E-1E1C-3100	120 VAC	E t/c	0 to 799°C	High Limit	Auto Reset	10A Relay	Integral	DIN Rail	LV C6TW 0000 0799 A	3, 6
146E-1E1C-3200	120 VAC	E t/c	0 to 799°C	High Limit	Auto Reset	10A Relay	Remote	DIN Rail	LV C5TW 0000 0799 A	2, 3, 6
146E-1E1C-4100	120 VAC	E t/c	0 to 799°C	Low Limit	Auto Reset	10A Relay	Integral	DIN Rail	LV C6TZ 0000 0799 A	3, 6
146E-1E1C-4200	120 VAC	E t/c	0 to 799°C	Low Limit	Auto Reset	10A Relay	Remote	DIN Rail	LV C5TZ 0000 0799 A	2, 3, 6
146E-1E1D-1100	120 VAC	E t/c	32 to 1470°F	High Limit	Manual Reset	10A Relay	Integral	DIN Rail	LV C6SU 0032 1470 A	3, 6, 8
146E-1E1D-1100	120 VAC	E t/c	0 to 799°C	High Limit	Manual Reset	10A Relay	Integral	DIN Rail	LV C6TU 0000 0799 A	3, 6, 8
146E-1E1D-1200	120 VAC	E t/c	32 to 1470°F	High Limit	Manual Reset	10A Relay	Remote	DIN Rail	LV C5SU 0032 1470 A	2, 3, 6, 8
146E-1E1D-1200	120 VAC	E t/c	0 to 799°C	High Limit	Manual Reset	10A Relay	Remote	DIN Rail	LV C5TU 0000 0799 A	2, 3, 6, 8
146E-1E1D-2100	120 VAC	E t/c	32 to 1470°F	Low Limit	Manual Reset	10A Relay	Integral	DIN Rail	LV C6SY 0032 1470 A	3, 6, 8
146E-1E1D-2100	120 VAC	E t/c	0 to 799°C	Low Limit	Manual Reset	10A Relay	Integral	DIN Rail	LV C6TY 0000 0799 A	3, 6, 8
146E-1E1D-2200	120 VAC	E t/c	32 to 1470°F	Low Limit	Manual Reset	10A Relay	Remote	DIN Rail	LV C5SY 0032 1470 A	2, 3, 6, 8
146E-1E1D-2200	120 VAC	E t/c	0 to 799°C	Low Limit	Manual Reset	10A Relay	Remote	DIN Rail	LV C5TY 0000 0799 A	2, 3, 6, 8
146E-1E1D-3100	120 VAC	E t/c	32 to 1470°F	High Limit	Auto Reset	10A Relay	Integral	DIN Rail	LV C6SW 0032 1470 A	3, 6, 8
146E-1E1D-3100	120 VAC	E t/c	0 to 799°C	High Limit	Auto Reset	10A Relay	Integral	DIN Rail	LV C6TW 0000 0799 A	3, 6, 8
146E-1E1D-3200	120 VAC	E t/c	32 to 1470°F	High Limit	Auto Reset	10A Relay	Remote	DIN Rail	LV C5SW 0032 1470 A	2, 3, 6, 8
146E-1E1D-3200	120 VAC	E t/c	0 to 799°C	High Limit	Auto Reset	10A Relay	Remote	DIN Rail	LV C5TW 0000 0799 A	2, 3, 6, 8
146E-1E1D-4100	120 VAC	E t/c	32 to 1470°F	Low Limit	Auto Reset	10A Relay	Integral	DIN Rail	LV C6SZ 0032 1470 A	3, 6, 8
146E-1E1D-4100	120 VAC	E t/c	0 to 799°C	Low Limit	Auto Reset	10A Relay	Integral	DIN Rail	LV C6TZ 0000 0799 A	3, 6, 8
146E-1E1D-4200	120 VAC	E t/c	32 to 1470°F	Low Limit	Auto Reset	10A Relay	Remote	DIN Rail	LV C5SZ 0032 1470 A	2, 3, 6, 8
146E-1E1D-4200	120 VAC	E t/c	0 to 799°C	Low Limit	Auto Reset	10A Relay	Remote	DIN Rail	LV C5TZ 0000 0799 A	2, 3, 6, 8
146E-1E1F-1100	120 VAC	E t/c	32 to 1470°F	High Limit	Manual Reset	10A Relay	Integral	DIN Rail	LV C6SU 0032 1470 A	3, 6
146E-1E1F-1200	120 VAC	E t/c	32 to 1470°F	High Limit	Manual Reset	10A Relay	Remote	DIN Rail	LV C5SU 0032 1470 A	2, 3, 6
146E-1E1F-2100	120 VAC	E t/c	32 to 1470°F	Low Limit	Manual Reset	10A Relay	Integral	DIN Rail	LV C6SY 0032 1470 A	3, 6
146E-1E1F-2200	120 VAC	E t/c	32 to 1470°F	Low Limit	Manual Reset	10A Relay	Remote	DIN Rail	LV C5SY 0032 1470 A	2, 3, 6
146E-1E1F-3100	120 VAC	E t/c	32 to 1470°F	High Limit	Auto Reset	10A Relay	Integral	DIN Rail	LV C6SW 0032 1470 A	3, 6
146E-1E1F-3200	120 VAC	E t/c	32 to 1470°F	High Limit	Auto Reset	10A Relay	Remote	DIN Rail	LV C5SW 0032 1470 A	2, 3, 6

Series 146

Series 146	Line Voltage	Input	Temp Range	Control Mode	Action	Output	Set Point	Mounting	Retrofit control	See Notes Below
146E-1E1F-4100	120 VAC	E t/c	32 to 1470°F	Low Limit	Auto Reset	10A Relay	Integral	DIN Rail	LV C6SZ 0032 1470 A	3, 6
146E-1E1F-4200	120 VAC	E t/c	32 to 1470°F	Low Limit	Auto Reset	10A Relay	Remote	DIN Rail	LV C5SZ 0032 1470 A	2, 3, 6
146E-1J1C-1100	120 VAC	J t/c	0 to 315°C	High Limit	Manual Reset	10A Relay	Integral	DIN Rail	LV C6JU 0000 0315 A	3, 6
146E-1J1C-1200	120 VAC	J t/c	0 to 315°C	High Limit	Manual Reset	10A Relay	Remote	DIN Rail	LV C5JU 0000 0315 A	2, 3, 6
146E-1J1C-2100	120 VAC	J t/c	0 to 315°C	Low Limit	Manual Reset	10A Relay	Integral	DIN Rail	LV C6JY 0000 0315 A	3, 6
146E-1J1C-2200	120 VAC	J t/c	0 to 315°C	Low Limit	Manual Reset	10A Relay	Remote	DIN Rail	LV C5JY 0000 0315 A	2, 3, 6
146E-1J1C-3100	120 VAC	J t/c	0 to 315°C	High Limit	Auto Reset	10A Relay	Integral	DIN Rail	LV C6JW 0000 0315 A	3, 6
146E-1J1C-3200	120 VAC	J t/c	0 to 315°C	High Limit	Auto Reset	10A Relay	Remote	DIN Rail	LV C5JW 0000 0315 A	2, 3, 6
146E-1J1C-4100	120 VAC	J t/c	0 to 315°C	Low Limit	Auto Reset	10A Relay	Integral	DIN Rail	LV C6JZ 0000 0315 A	3, 6
146E-1J1C-4200	120 VAC	J t/c	0 to 315°C	Low Limit	Auto Reset	10A Relay	Remote	DIN Rail	LV C5JZ 0000 0315 A	2, 3, 6
146E-1J1D-1100	120 VAC	J t/c	32 to 600°F	High Limit	Manual Reset	10A Relay	Integral	DIN Rail	LV C6HU 0032 0600 A	3, 6, 8
146E-1J1D-1100	120 VAC	J t/c	0 to 315°C	High Limit	Manual Reset	10A Relay	Integral	DIN Rail	LV C6JU 0000 0315 A	3, 6, 8
146E-1J1D-1200	120 VAC	J t/c	32 to 600°F	High Limit	Manual Reset	10A Relay	Remote	DIN Rail	LV C5HU 0032 0600 A	2, 3, 6, 8
146E-1J1D-1200	120 VAC	J t/c	0 to 315°C	High Limit	Manual Reset	10A Relay	Remote	DIN Rail	LV C5JU 0000 0315 A	2, 3, 6, 8
146E-1J1D-2100	120 VAC	J t/c	32 to 600°F	Low Limit	Manual Reset	10A Relay	Integral	DIN Rail	LV C6HY 0032 0600 A	3, 6, 8
146E-1J1D-2100	120 VAC	J t/c	0 to 315°C	Low Limit	Manual Reset	10A Relay	Integral	DIN Rail	LV C6JY 0000 0315 A	3, 6, 8
146E-1J1D-2200	120 VAC	J t/c	32 to 600°F	Low Limit	Manual Reset	10A Relay	Remote	DIN Rail	LV C5HY 0032 0600 A	2, 3, 6, 8
146E-1J1D-2200	120 VAC	J t/c	0 to 315°C	Low Limit	Manual Reset	10A Relay	Remote	DIN Rail	LV C5JY 0000 0315 A	2, 3, 6, 8
146E-1J1D-3100	120 VAC	J t/c	32 to 600°F	High Limit	Auto Reset	10A Relay	Integral	DIN Rail	LV C6HW 0032 0600 A	3, 6, 8
146E-1J1D-3100	120 VAC	J t/c	0 to 315°C	High Limit	Auto Reset	10A Relay	Integral	DIN Rail	LV C6JW 0000 0315 A	3, 6, 8
146E-1J1D-3200	120 VAC	J t/c	32 to 600°F	High Limit	Auto Reset	10A Relay	Remote	DIN Rail	LV C5HW 0032 0600 A	2, 3, 6, 8
146E-1J1D-3200	120 VAC	J t/c	0 to 315°C	High Limit	Auto Reset	10A Relay	Remote	DIN Rail	LV C5JW 0000 0315 A	2, 3, 6, 8
146E-1J1D-4100	120 VAC	J t/c	32 to 600°F	Low Limit	Auto Reset	10A Relay	Integral	DIN Rail	LV C6HZ 0032 0600 A	3, 6, 8
146E-1J1D-4100	120 VAC	J t/c	0 to 315°C	Low Limit	Auto Reset	10A Relay	Integral	DIN Rail	LV C6JZ 0000 0315 A	3, 6, 8
146E-1J1D-4200	120 VAC	J t/c	32 to 600°F	Low Limit	Auto Reset	10A Relay	Remote	DIN Rail	LV C5HZ 0032 0600 A	2, 3, 6, 8
146E-1J1D-4200	120 VAC	J t/c	0 to 315°C	Low Limit	Auto Reset	10A Relay	Remote	DIN Rail	LV C5JZ 0000 0315 A	2, 3, 6, 8
146E-1J1F-1100	120 VAC	J t/c	32 to 600°F	High Limit	Manual Reset	10A Relay	Integral	DIN Rail	LV C6HU 0032 0600 A	3, 6
146E-1J1F-1200	120 VAC	J t/c	32 to 600°F	High Limit	Manual Reset	10A Relay	Remote	DIN Rail	LV C5HU 0032 0600 A	2, 3, 6
146E-1J1F-2100	120 VAC	J t/c	32 to 600°F	Low Limit	Manual Reset	10A Relay	Integral	DIN Rail	LV C6HY 0032 0600 A	3, 6
146E-1J1F-2200	120 VAC	J t/c	32 to 600°F	Low Limit	Manual Reset	10A Relay	Remote	DIN Rail	LV C5HY 0032 0600 A	2, 3, 6
146E-1J1F-3100	120 VAC	J t/c	32 to 600°F	High Limit	Auto Reset	10A Relay	Integral	DIN Rail	LV C6HW 0032 0600 A	3, 6
146E-1J1F-3200	120 VAC	J t/c	32 to 600°F	High Limit	Auto Reset	10A Relay	Remote	DIN Rail	LV C5HW 0032 0600 A	2, 3, 6
146E-1J1F-4100	120 VAC	J t/c	32 to 600°F	Low Limit	Auto Reset	10A Relay	Integral	DIN Rail	LV C6HZ 0032 0600 A	3, 6
146E-1J1F-4200	120 VAC	J t/c	32 to 600°F	Low Limit	Auto Reset	10A Relay	Remote	DIN Rail	LV C5HZ 0032 0600 A	2, 3, 6
146E-1J2C-1100	120 VAC	J t/c	0 to 750°C	High Limit	Manual Reset	10A Relay	Integral	DIN Rail	LV C6JU 0000 0750 A	3, 6
146E-1J2C-1200	120 VAC	J t/c	0 to 750°C	High Limit	Manual Reset	10A Relay	Remote	DIN Rail	LV C5JU 0000 0750 A	2, 3, 6
146E-1J2C-2100	120 VAC	J t/c	0 to 750°C	Low Limit	Manual Reset	10A Relay	Integral	DIN Rail	LV C6JY 0000 0750 A	3, 6
146E-1J2C-2200	120 VAC	J t/c	0 to 750°C	Low Limit	Manual Reset	10A Relay	Remote	DIN Rail	LV C5JY 0000 0750 A	2, 3, 6
146E-1J2C-3100	120 VAC	J t/c	0 to 750°C	High Limit	Auto Reset	10A Relay	Integral	DIN Rail	LV C6JW 0000 0750 A	3, 6
146E-1J2C-3200	120 VAC	J t/c	0 to 750°C	High Limit	Auto Reset	10A Relay	Remote	DIN Rail	LV C5JW 0000 0750 A	2, 3, 6
146E-1J2C-4100	120 VAC	J t/c	0 to 750°C	Low Limit	Auto Reset	10A Relay	Integral	DIN Rail	LV C6JZ 0000 0750 A	3, 6

Series 146

Series 146	Line Voltage	Input	Temp Range	Control Mode	Action	Output	Set Point	Mounting	Retrofit control	See Notes Below
146E-1J2C-4200	120 VAC	J t/c	0 to 750°C	Low Limit	Auto Reset	10A Relay	Remote	DIN Rail	LV C5JZ 0000 0750 A	2, 3, 6
146E-1J2D-1100	120 VAC	J t/c	32 to 1382°F	High Limit	Manual Reset	10A Relay	Integral	DIN Rail	LV C6HU 0032 1382 A	3, 6, 8
146E-1J2D-1100	120 VAC	J t/c	0 to 750°C	High Limit	Manual Reset	10A Relay	Integral	DIN Rail	LV C6JU 0000 0750 A	3, 6, 8
146E-1J2D-1200	120 VAC	J t/c	32 to 1382°F	High Limit	Manual Reset	10A Relay	Remote	DIN Rail	LV C5HU 0032 1382 A	2, 3, 6, 8
146E-1J2D-1200	120 VAC	J t/c	0 to 750°C	High Limit	Manual Reset	10A Relay	Remote	DIN Rail	LV C5JU 0000 0750 A	2, 3, 6, 8
146E-1J2D-2100	120 VAC	J t/c	32 to 1382°F	Low Limit	Manual Reset	10A Relay	Integral	DIN Rail	LV C6HY 0032 1382 A	3, 6, 8
146E-1J2D-2100	120 VAC	J t/c	0 to 750°C	Low Limit	Manual Reset	10A Relay	Integral	DIN Rail	LV C6JY 0000 0750 A	3, 6, 8
146E-1J2D-2200	120 VAC	J t/c	32 to 1382°F	Low Limit	Manual Reset	10A Relay	Remote	DIN Rail	LV C5HY 0032 1382 A	2, 3, 6, 8
146E-1J2D-2200	120 VAC	J t/c	0 to 750°C	Low Limit	Manual Reset	10A Relay	Remote	DIN Rail	LV C5JY 0000 0750 A	2, 3, 6, 8
146E-1J2D-3100	120 VAC	J t/c	32 to 1382°F	High Limit	Auto Reset	10A Relay	Integral	DIN Rail	LV C6HW 0032 1382 A	3, 6, 8
146E-1J2D-3100	120 VAC	J t/c	0 to 750°C	High Limit	Auto Reset	10A Relay	Integral	DIN Rail	LV C6JW 0000 0750 A	3, 6, 8
146E-1J2D-3200	120 VAC	J t/c	32 to 1382°F	High Limit	Auto Reset	10A Relay	Remote	DIN Rail	LV C5HW 0032 1382 A	2, 3, 6, 8
146E-1J2D-3200	120 VAC	J t/c	0 to 750°C	High Limit	Auto Reset	10A Relay	Remote	DIN Rail	LV C5JW 0000 0750 A	2, 3, 6, 8
146E-1J2D-4100	120 VAC	J t/c	32 to 1382°F	Low Limit	Auto Reset	10A Relay	Integral	DIN Rail	LV C6HZ 0032 1382 A	3, 6, 8
146E-1J2D-4100	120 VAC	J t/c	0 to 750°C	Low Limit	Auto Reset	10A Relay	Integral	DIN Rail	LV C6JZ 0000 0750 A	3, 6, 8
146E-1J2D-4200	120 VAC	J t/c	32 to 1382°F	Low Limit	Auto Reset	10A Relay	Remote	DIN Rail	LV C5HZ 0032 1382 A	2, 3, 6, 8
146E-1J2D-4200	120 VAC	J t/c	0 to 750°C	Low Limit	Auto Reset	10A Relay	Remote	DIN Rail	LV C5JZ 0000 0750 A	2, 3, 6, 8
146E-1J2F-1100	120 VAC	J t/c	32 to 1382°F	High Limit	Manual Reset	10A Relay	Integral	DIN Rail	LV C6HU 0032 1382 A	3, 6
146E-1J2F-1200	120 VAC	J t/c	32 to 1382°F	High Limit	Manual Reset	10A Relay	Remote	DIN Rail	LV C5HU 0032 1382 A	2, 3, 6
146E-1J2F-2100	120 VAC	J t/c	32 to 1382°F	Low Limit	Manual Reset	10A Relay	Integral	DIN Rail	LV C6HY 0032 1382 A	3, 6
146E-1J2F-2200	120 VAC	J t/c	32 to 1382°F	Low Limit	Manual Reset	10A Relay	Remote	DIN Rail	LV C5HY 0032 1382 A	2, 3, 6
146E-1J2F-3100	120 VAC	J t/c	32 to 1382°F	High Limit	Auto Reset	10A Relay	Integral	DIN Rail	LV C6HW 0032 1382 A	3, 6
146E-1J2F-3200	120 VAC	J t/c	32 to 1382°F	High Limit	Auto Reset	10A Relay	Remote	DIN Rail	LV C5HW 0032 1382 A	2, 3, 6
146E-1J2F-4100	120 VAC	J t/c	32 to 1382°F	Low Limit	Auto Reset	10A Relay	Integral	DIN Rail	LV C6HZ 0032 1382 A	3, 6
146E-1J2F-4200	120 VAC	J t/c	32 to 1382°F	Low Limit	Auto Reset	10A Relay	Remote	DIN Rail	LV C5HZ 0032 1382 A	2, 3, 6
146E-1J3C-1100	120 VAC	J t/c	149 to 427°C	High Limit	Manual Reset	10A Relay	Integral	DIN Rail	LV C6JU 0149 0427 A	3, 6
146E-1J3C-1200	120 VAC	J t/c	149 to 427°C	High Limit	Manual Reset	10A Relay	Remote	DIN Rail	LV C5JU 0149 0427 A	2, 3, 6
146E-1J3C-2100	120 VAC	J t/c	149 to 427°C	Low Limit	Manual Reset	10A Relay	Integral	DIN Rail	LV C6JY 0149 0427 A	3, 6
146E-1J3C-2200	120 VAC	J t/c	149 to 427°C	Low Limit	Manual Reset	10A Relay	Remote	DIN Rail	LV C5JY 0149 0427 A	2, 3, 6
146E-1J3C-3100	120 VAC	J t/c	149 to 427°C	High Limit	Auto Reset	10A Relay	Integral	DIN Rail	LV C6JW 0149 0427 A	3, 6
146E-1J3C-3200	120 VAC	J t/c	149 to 427°C	High Limit	Auto Reset	10A Relay	Remote	DIN Rail	LV C5JW 0149 0427 A	2, 3, 6
146E-1J3C-4100	120 VAC	J t/c	149 to 427°C	Low Limit	Auto Reset	10A Relay	Integral	DIN Rail	LV C6JZ 0149 0427 A	3, 6
146E-1J3C-4200	120 VAC	J t/c	149 to 427°C	Low Limit	Auto Reset	10A Relay	Remote	DIN Rail	LV C5JZ 0149 0427 A	2, 3, 6
146E-1J3D-1100	120 VAC	J t/c	300 to 800°F	High Limit	Manual Reset	10A Relay	Integral	DIN Rail	LV C6HU 0300 0800 A	3, 6, 8
146E-1J3D-1100	120 VAC	J t/c	149 to 427°C	High Limit	Manual Reset	10A Relay	Integral	DIN Rail	LV C6JU 0149 0427 A	3, 6, 8
146E-1J3D-1200	120 VAC	J t/c	300 to 800°F	High Limit	Manual Reset	10A Relay	Remote	DIN Rail	LV C5HU 0300 0800 A	2, 3, 6, 8
146E-1J3D-1200	120 VAC	J t/c	149 to 427°C	High Limit	Manual Reset	10A Relay	Remote	DIN Rail	LV C5JU 0149 0427 A	2, 3, 6, 8
146E-1J3D-2100	120 VAC	J t/c	300 to 800°F	Low Limit	Manual Reset	10A Relay	Integral	DIN Rail	LV C6HY 0300 0800 A	3, 6, 8
146E-1J3D-2100	120 VAC	J t/c	149 to 427°C	Low Limit	Manual Reset	10A Relay	Integral	DIN Rail	LV C6JY 0149 0427 A	3, 6, 8
146E-1J3D-2200	120 VAC	J t/c	300 to 800°F	Low Limit	Manual Reset	10A Relay	Remote	DIN Rail	LV C5HY 0300 0800 A	2, 3, 6, 8
146E-1J3D-2200	120 VAC	J t/c	149 to 427°C	Low Limit	Manual Reset	10A Relay	Remote	DIN Rail	LV C5JY 0149 0427 A	2, 3, 6, 8

Series 146

Series 146	Line Voltage	Input	Temp Range	Control Mode	Action	Output	Set Point	Mounting	Retrofit control	See Notes Below
146E-1J3D-3100	120 VAC	J t/c	300 to 800°F	High Limit	Auto Reset	10A Relay	Integral	DIN Rail	LV C6HW 0300 0800 A	3, 6, 8
146E-1J3D-3100	120 VAC	J t/c	149 to 427°C	High Limit	Auto Reset	10A Relay	Integral	DIN Rail	LV C6JW 0149 0427 A	3, 6, 8
146E-1J3D-3200	120 VAC	J t/c	300 to 800°F	High Limit	Auto Reset	10A Relay	Remote	DIN Rail	LV C5HW 0300 0800 A	2, 3, 6, 8
146E-1J3D-3200	120 VAC	J t/c	149 to 427°C	High Limit	Auto Reset	10A Relay	Remote	DIN Rail	LV C5JW 0149 0427 A	2, 3, 6, 8
146E-1J3D-4100	120 VAC	J t/c	300 to 800°F	Low Limit	Auto Reset	10A Relay	Integral	DIN Rail	LV C6HZ 0300 0800 A	3, 6, 8
146E-1J3D-4100	120 VAC	J t/c	149 to 427°C	Low Limit	Auto Reset	10A Relay	Integral	DIN Rail	LV C6JZ 0149 0427 A	3, 6, 8
146E-1J3D-4200	120 VAC	J t/c	300 to 800°F	Low Limit	Auto Reset	10A Relay	Remote	DIN Rail	LV C5HZ 0300 0800 A	2, 3, 6, 8
146E-1J3D-4200	120 VAC	J t/c	149 to 427°C	Low Limit	Auto Reset	10A Relay	Remote	DIN Rail	LV C5JZ 0149 0427 A	2, 3, 6, 8
146E-1J3F-1100	120 VAC	J t/c	300 to 800°F	High Limit	Manual Reset	10A Relay	Integral	DIN Rail	LV C6HU 0300 0800 A	3, 6
146E-1J3F-1200	120 VAC	J t/c	300 to 800°F	High Limit	Manual Reset	10A Relay	Remote	DIN Rail	LV C5HU 0300 0800 A	2, 3, 6
146E-1J3F-2100	120 VAC	J t/c	300 to 800°F	Low Limit	Manual Reset	10A Relay	Integral	DIN Rail	LV C6HY 0300 0800 A	3, 6
146E-1J3F-2200	120 VAC	J t/c	300 to 800°F	Low Limit	Manual Reset	10A Relay	Remote	DIN Rail	LV C5HY 0300 0800 A	2, 3, 6
146E-1J3F-3100	120 VAC	J t/c	300 to 800°F	High Limit	Auto Reset	10A Relay	Integral	DIN Rail	LV C6HW 0300 0800 A	3, 6
146E-1J3F-3200	120 VAC	J t/c	300 to 800°F	High Limit	Auto Reset	10A Relay	Remote	DIN Rail	LV C5HW 0300 0800 A	2, 3, 6
146E-1J3F-4100	120 VAC	J t/c	300 to 800°F	Low Limit	Auto Reset	10A Relay	Integral	DIN Rail	LV C6HZ 0300 0800 A	3, 6
146E-1J3F-4200	120 VAC	J t/c	300 to 800°F	Low Limit	Auto Reset	10A Relay	Remote	DIN Rail	LV C5HZ 0300 0800 A	2, 3, 6
146E-1J4C-1100	120 VAC	J t/c	-18 to 93°C	High Limit	Manual Reset	10A Relay	Integral	DIN Rail	LV C6JU -018 0093 A	3, 6
146E-1J4C-1200	120 VAC	J t/c	-18 to 93°C	High Limit	Manual Reset	10A Relay	Remote	DIN Rail	LV C5JU -018 0093 A	2, 3, 6
146E-1J4C-2100	120 VAC	J t/c	-18 to 93°C	Low Limit	Manual Reset	10A Relay	Integral	DIN Rail	LV C6JY -018 0093 A	3, 6
146E-1J4C-2200	120 VAC	J t/c	-18 to 93°C	Low Limit	Manual Reset	10A Relay	Remote	DIN Rail	LV C5JY -018 0093 A	2, 3, 6
146E-1J4C-3100	120 VAC	J t/c	-18 to 93°C	High Limit	Auto Reset	10A Relay	Integral	DIN Rail	LV C6JW -018 0093 A	3, 6
146E-1J4C-3200	120 VAC	J t/c	-18 to 93°C	High Limit	Auto Reset	10A Relay	Remote	DIN Rail	LV C5JW -018 0093 A	2, 3, 6
146E-1J4C-4100	120 VAC	J t/c	-18 to 93°C	Low Limit	Auto Reset	10A Relay	Integral	DIN Rail	LV C6JZ -018 0093 A	3, 6
146E-1J4C-4200	120 VAC	J t/c	-18 to 93°C	Low Limit	Auto Reset	10A Relay	Remote	DIN Rail	LV C5JZ -018 0093 A	2, 3, 6
146E-1J4D-1100	120 VAC	J t/c	0 to 200°F	High Limit	Manual Reset	10A Relay	Integral	DIN Rail	LV C6HU 0000 0200 A	3, 6, 8
146E-1J4D-1100	120 VAC	J t/c	-18 to 93°C	High Limit	Manual Reset	10A Relay	Integral	DIN Rail	LV C6JU -018 0093 A	3, 6, 8
146E-1J4D-1200	120 VAC	J t/c	0 to 200°F	High Limit	Manual Reset	10A Relay	Remote	DIN Rail	LV C5HU 0000 0200 A	2, 3, 6, 8
146E-1J4D-1200	120 VAC	J t/c	-18 to 93°C	High Limit	Manual Reset	10A Relay	Remote	DIN Rail	LV C5JU -018 0093 A	2, 3, 6, 8
146E-1J4D-2100	120 VAC	J t/c	0 to 200°F	Low Limit	Manual Reset	10A Relay	Integral	DIN Rail	LV C6HY 0000 0200 A	3, 6, 8
146E-1J4D-2100	120 VAC	J t/c	-18 to 93°C	Low Limit	Manual Reset	10A Relay	Integral	DIN Rail	LV C6JY -018 0093 A	3, 6, 8
146E-1J4D-2200	120 VAC	J t/c	0 to 200°F	Low Limit	Manual Reset	10A Relay	Remote	DIN Rail	LV C5HY 0000 0200 A	2, 3, 6, 8
146E-1J4D-2200	120 VAC	J t/c	-18 to 93°C	Low Limit	Manual Reset	10A Relay	Remote	DIN Rail	LV C5JY -018 0093 A	2, 3, 6, 8
146E-1J4D-3100	120 VAC	J t/c	0 to 200°F	High Limit	Auto Reset	10A Relay	Integral	DIN Rail	LV C6HW 0000 0200 A	3, 6, 8
146E-1J4D-3100	120 VAC	J t/c	-18 to 93°C	High Limit	Auto Reset	10A Relay	Integral	DIN Rail	LV C6JW -018 0093 A	3, 6, 8
146E-1J4D-3200	120 VAC	J t/c	0 to 200°F	High Limit	Auto Reset	10A Relay	Remote	DIN Rail	LV C5HW 0000 0200 A	2, 3, 6, 8
146E-1J4D-3200	120 VAC	J t/c	-18 to 93°C	High Limit	Auto Reset	10A Relay	Remote	DIN Rail	LV C5JW -018 0093 A	2, 3, 6, 8
146E-1J4D-4100	120 VAC	J t/c	0 to 200°F	Low Limit	Auto Reset	10A Relay	Integral	DIN Rail	LV C6HZ 0000 0200 A	3, 6, 8
146E-1J4D-4100	120 VAC	J t/c	-18 to 93°C	Low Limit	Auto Reset	10A Relay	Integral	DIN Rail	LV C6JZ -018 0093 A	3, 6, 8
146E-1J4D-4200	120 VAC	J t/c	0 to 200°F	Low Limit	Auto Reset	10A Relay	Remote	DIN Rail	LV C5HZ 0000 0200 A	2, 3, 6, 8
146E-1J4D-4200	120 VAC	J t/c	-18 to 93°C	Low Limit	Auto Reset	10A Relay	Remote	DIN Rail	LV C5JZ -018 0093 A	2, 3, 6, 8
146E-1J4F-1100	120 VAC	J t/c	0 to 200°F	High Limit	Manual Reset	10A Relay	Integral	DIN Rail	LV C6HU 0000 0200 A	3, 6

Series 146

Series 146	Line Voltage	Input	Temp Range	Control Mode	Action	Output	Set Point	Mounting	Retrofit control	See Notes Below
146E-1J4F-1200	120 VAC	J t/c	0 to 200°F	High Limit	Manual Reset	10A Relay	Remote	DIN Rail	LV C5HU 0000 0200 A	2, 3, 6
146E-1J4F-2100	120 VAC	J t/c	0 to 200°F	Low Limit	Manual Reset	10A Relay	Integral	DIN Rail	LV C6HY 0000 0200 A	3, 6
146E-1J4F-2200	120 VAC	J t/c	0 to 200°F	Low Limit	Manual Reset	10A Relay	Remote	DIN Rail	LV C5HY 0000 0200 A	2, 3, 6
146E-1J4F-3100	120 VAC	J t/c	0 to 200°F	High Limit	Auto Reset	10A Relay	Integral	DIN Rail	LV C6HW 0000 0200 A	3, 6
146E-1J4F-3200	120 VAC	J t/c	0 to 200°F	High Limit	Auto Reset	10A Relay	Remote	DIN Rail	LV C5HW 0000 0200 A	2, 3, 6
146E-1J4F-4100	120 VAC	J t/c	0 to 200°F	Low Limit	Auto Reset	10A Relay	Integral	DIN Rail	LV C6HZ 0000 0200 A	3, 6
146E-1J4F-4200	120 VAC	J t/c	0 to 200°F	Low Limit	Auto Reset	10A Relay	Remote	DIN Rail	LV C5HZ 0000 0200 A	2, 3, 6
146E-1J5C-1100	120 VAC	J t/c	43 to 54°C	High Limit	Manual Reset	10A Relay	Integral	DIN Rail	LV C6JU 0043 0054 A	3, 6
146E-1J5C-1200	120 VAC	J t/c	43 to 54°C	High Limit	Manual Reset	10A Relay	Remote	DIN Rail	LV C5JU 0043 0054 A	2, 3, 6
146E-1J5C-2100	120 VAC	J t/c	43 to 54°C	Low Limit	Manual Reset	10A Relay	Integral	DIN Rail	LV C6JY 0043 0054 A	3, 6
146E-1J5C-2200	120 VAC	J t/c	43 to 54°C	Low Limit	Manual Reset	10A Relay	Remote	DIN Rail	LV C5JY 0043 0054 A	2, 3, 6
146E-1J5C-3100	120 VAC	J t/c	43 to 54°C	High Limit	Auto Reset	10A Relay	Integral	DIN Rail	LV C6JW 0043 0054 A	3, 6
146E-1J5C-3200	120 VAC	J t/c	43 to 54°C	High Limit	Auto Reset	10A Relay	Remote	DIN Rail	LV C5JW 0043 0054 A	2, 3, 6
146E-1J5C-4100	120 VAC	J t/c	43 to 54°C	Low Limit	Auto Reset	10A Relay	Integral	DIN Rail	LV C6JZ 0043 0054 A	3, 6
146E-1J5C-4200	120 VAC	J t/c	43 to 54°C	Low Limit	Auto Reset	10A Relay	Remote	DIN Rail	LV C5JZ 0043 0054 A	2, 3, 6
146E-1J5D-1100	120 VAC	J t/c	110 to 130°F	High Limit	Manual Reset	10A Relay	Integral	DIN Rail	LV C6HU 0110 0130 A	3, 6, 8
146E-1J5D-1100	120 VAC	J t/c	43 to 54°C	High Limit	Manual Reset	10A Relay	Integral	DIN Rail	LV C6JU 0043 0054 A	3, 6, 8
146E-1J5D-1200	120 VAC	J t/c	110 to 130°F	High Limit	Manual Reset	10A Relay	Remote	DIN Rail	LV C5HU 0110 0130 A	2, 3, 6, 8
146E-1J5D-1200	120 VAC	J t/c	43 to 54°C	High Limit	Manual Reset	10A Relay	Remote	DIN Rail	LV C5JU 0043 0054 A	2, 3, 6, 8
146E-1J5D-2100	120 VAC	J t/c	110 to 130°F	Low Limit	Manual Reset	10A Relay	Integral	DIN Rail	LV C6HY 0110 0130 A	3, 6, 8
146E-1J5D-2100	120 VAC	J t/c	43 to 54°C	Low Limit	Manual Reset	10A Relay	Integral	DIN Rail	LV C6JY 0043 0054 A	3, 6, 8
146E-1J5D-2200	120 VAC	J t/c	110 to 130°F	Low Limit	Manual Reset	10A Relay	Remote	DIN Rail	LV C5HY 0110 0130 A	2, 3, 6, 8
146E-1J5D-2200	120 VAC	J t/c	43 to 54°C	Low Limit	Manual Reset	10A Relay	Remote	DIN Rail	LV C5JY 0043 0054 A	2, 3, 6, 8
146E-1J5D-3100	120 VAC	J t/c	110 to 130°F	High Limit	Auto Reset	10A Relay	Integral	DIN Rail	LV C6HW 0110 0130 A	3, 6, 8
146E-1J5D-3100	120 VAC	J t/c	43 to 54°C	High Limit	Auto Reset	10A Relay	Integral	DIN Rail	LV C6JW 0043 0054 A	3, 6, 8
146E-1J5D-3200	120 VAC	J t/c	110 to 130°F	High Limit	Auto Reset	10A Relay	Remote	DIN Rail	LV C5HW 0110 0130 A	2, 3, 6, 8
146E-1J5D-3200	120 VAC	J t/c	43 to 54°C	High Limit	Auto Reset	10A Relay	Remote	DIN Rail	LV C5JW 0043 0054 A	2, 3, 6, 8
146E-1J5D-4100	120 VAC	J t/c	110 to 130°F	Low Limit	Auto Reset	10A Relay	Integral	DIN Rail	LV C6HZ 0110 0130 A	3, 6, 8
146E-1J5D-4100	120 VAC	J t/c	43 to 54°C	Low Limit	Auto Reset	10A Relay	Integral	DIN Rail	LV C6JZ 0043 0054 A	3, 6, 8
146E-1J5D-4200	120 VAC	J t/c	110 to 130°F	Low Limit	Auto Reset	10A Relay	Remote	DIN Rail	LV C5HZ 0110 0130 A	2, 3, 6, 8
146E-1J5D-4200	120 VAC	J t/c	43 to 54°C	Low Limit	Auto Reset	10A Relay	Remote	DIN Rail	LV C5JZ 0043 0054 A	2, 3, 6, 8
146E-1J5F-1100	120 VAC	J t/c	110 to 130°F	High Limit	Manual Reset	10A Relay	Integral	DIN Rail	LV C6HU 0110 0130 A	3, 6
146E-1J5F-1200	120 VAC	J t/c	110 to 130°F	High Limit	Manual Reset	10A Relay	Remote	DIN Rail	LV C5HU 0110 0130 A	2, 3, 6
146E-1J5F-2100	120 VAC	J t/c	110 to 130°F	Low Limit	Manual Reset	10A Relay	Integral	DIN Rail	LV C6HY 0110 0130 A	3, 6
146E-1J5F-2200	120 VAC	J t/c	110 to 130°F	Low Limit	Manual Reset	10A Relay	Remote	DIN Rail	LV C5HY 0110 0130 A	2, 3, 6
146E-1J5F-3100	120 VAC	J t/c	110 to 130°F	High Limit	Auto Reset	10A Relay	Integral	DIN Rail	LV C6HW 0110 0130 A	3, 6
146E-1J5F-3200	120 VAC	J t/c	110 to 130°F	High Limit	Auto Reset	10A Relay	Remote	DIN Rail	LV C5HW 0110 0130 A	2, 3, 6
146E-1J5F-4100	120 VAC	J t/c	110 to 130°F	Low Limit	Auto Reset	10A Relay	Integral	DIN Rail	LV C6HZ 0110 0130 A	3, 6
146E-1J5F-4200	120 VAC	J t/c	110 to 130°F	Low Limit	Auto Reset	10A Relay	Remote	DIN Rail	LV C5HZ 0110 0130 A	2, 3, 6
146E-1K1C-1100	120 VAC	K t/c	0 to 1250°C	High Limit	Manual Reset	10A Relay	Integral	DIN Rail	LV C6LU 0000 1250 A	3, 6
146E-1K1C-1200	120 VAC	K t/c	0 to 1250°C	High Limit	Manual Reset	10A Relay	Remote	DIN Rail	LV C5LU 0000 1250 A	2, 3, 6

Series 146

Series 146	Line Voltage	Input	Temp Range	Control Mode	Action	Output	Set Point	Mounting	Retrofit control	See Notes Below
146E-1K1C-2100	120 VAC	K t/c	0 to 1250°C	Low Limit	Manual Reset	10A Relay	Integral	DIN Rail	LV C6LY 0000 1250 A	3, 6
146E-1K1C-2200	120 VAC	K t/c	0 to 1250°C	Low Limit	Manual Reset	10A Relay	Remote	DIN Rail	LV C5LY 0000 1250 A	2, 3, 6
146E-1K1C-3100	120 VAC	K t/c	0 to 1250°C	High Limit	Auto Reset	10A Relay	Integral	DIN Rail	LV C6LW 0000 1250 A	3, 6
146E-1K1C-3200	120 VAC	K t/c	0 to 1250°C	High Limit	Auto Reset	10A Relay	Remote	DIN Rail	LV C5LW 0000 1250 A	2, 3, 6
146E-1K1C-4100	120 VAC	K t/c	0 to 1250°C	Low Limit	Auto Reset	10A Relay	Integral	DIN Rail	LV C6LZ 0000 1250 A	3, 6
146E-1K1C-4200	120 VAC	K t/c	0 to 1250°C	Low Limit	Auto Reset	10A Relay	Remote	DIN Rail	LV C5LZ 0000 1250 A	2, 3, 6
146E-1K1D-1100	120 VAC	K t/c	32 to 2282°F	High Limit	Manual Reset	10A Relay	Integral	DIN Rail	LV C6KU 0032 2282 A	3, 6, 8
146E-1K1D-1100	120 VAC	K t/c	0 to 1250°C	High Limit	Manual Reset	10A Relay	Integral	DIN Rail	LV C6LU 0000 1250 A	3, 6, 8
146E-1K1D-1200	120 VAC	K t/c	32 to 2282°F	High Limit	Manual Reset	10A Relay	Remote	DIN Rail	LV C5KU 0032 2282 A	2, 3, 6, 8
146E-1K1D-1200	120 VAC	K t/c	0 to 1250°C	High Limit	Manual Reset	10A Relay	Remote	DIN Rail	LV C5LU 0000 1250 A	2, 3, 6, 8
146E-1K1D-2100	120 VAC	K t/c	32 to 2282°F	Low Limit	Manual Reset	10A Relay	Integral	DIN Rail	LV C6KY 0032 2282 A	3, 6, 8
146E-1K1D-2100	120 VAC	K t/c	0 to 1250°C	Low Limit	Manual Reset	10A Relay	Integral	DIN Rail	LV C6LY 0000 1250 A	3, 6, 8
146E-1K1D-2200	120 VAC	K t/c	32 to 2282°F	Low Limit	Manual Reset	10A Relay	Remote	DIN Rail	LV C5KY 0032 2282 A	2, 3, 6, 8
146E-1K1D-2200	120 VAC	K t/c	0 to 1250°C	Low Limit	Manual Reset	10A Relay	Remote	DIN Rail	LV C5LY 0000 1250 A	2, 3, 6, 8
146E-1K1D-3100	120 VAC	K t/c	32 to 2282°F	High Limit	Auto Reset	10A Relay	Integral	DIN Rail	LV C6KW 0032 2282 A	3, 6, 8
146E-1K1D-3100	120 VAC	K t/c	0 to 1250°C	High Limit	Auto Reset	10A Relay	Integral	DIN Rail	LV C6LW 0000 1250 A	3, 6, 8
146E-1K1D-3200	120 VAC	K t/c	32 to 2282°F	High Limit	Auto Reset	10A Relay	Remote	DIN Rail	LV C5KW 0032 2282 A	2, 3, 6, 8
146E-1K1D-3200	120 VAC	K t/c	0 to 1250°C	High Limit	Auto Reset	10A Relay	Remote	DIN Rail	LV C5LW 0000 1250 A	2, 3, 6, 8
146E-1K1D-4100	120 VAC	K t/c	32 to 2282°F	Low Limit	Auto Reset	10A Relay	Integral	DIN Rail	LV C6KZ 0032 2282 A	3, 6, 8
146E-1K1D-4100	120 VAC	K t/c	0 to 1250°C	Low Limit	Auto Reset	10A Relay	Integral	DIN Rail	LV C6LZ 0000 1250 A	3, 6, 8
146E-1K1D-4200	120 VAC	K t/c	32 to 2282°F	Low Limit	Auto Reset	10A Relay	Remote	DIN Rail	LV C5KZ 0032 2282 A	2, 3, 6, 8
146E-1K1D-4200	120 VAC	K t/c	0 to 1250°C	Low Limit	Auto Reset	10A Relay	Remote	DIN Rail	LV C5LZ 0000 1250 A	2, 3, 6, 8
146E-1K1F-1100	120 VAC	K t/c	32 to 2282°F	High Limit	Manual Reset	10A Relay	Integral	DIN Rail	LV C6KU 0032 2282 A	3, 6
146E-1K1F-1200	120 VAC	K t/c	32 to 2282°F	High Limit	Manual Reset	10A Relay	Remote	DIN Rail	LV C5KU 0032 2282 A	2, 3, 6
146E-1K1F-2100	120 VAC	K t/c	32 to 2282°F	Low Limit	Manual Reset	10A Relay	Integral	DIN Rail	LV C6KY 0032 2282 A	3, 6
146E-1K1F-2200	120 VAC	K t/c	32 to 2282°F	Low Limit	Manual Reset	10A Relay	Remote	DIN Rail	LV C5KY 0032 2282 A	2, 3, 6
146E-1K1F-3100	120 VAC	K t/c	32 to 2282°F	High Limit	Auto Reset	10A Relay	Integral	DIN Rail	LV C6KW 0032 2282 A	3, 6
146E-1K1F-3200	120 VAC	K t/c	32 to 2282°F	High Limit	Auto Reset	10A Relay	Remote	DIN Rail	LV C5KW 0032 2282 A	2, 3, 6
146E-1K1F-4100	120 VAC	K t/c	32 to 2282°F	Low Limit	Auto Reset	10A Relay	Integral	DIN Rail	LV C6KZ 0032 2282 A	3, 6
146E-1K1F-4200	120 VAC	K t/c	32 to 2282°F	Low Limit	Auto Reset	10A Relay	Remote	DIN Rail	LV C5KZ 0032 2282 A	2, 3, 6
146E-1K2C-1100	120 VAC	K t/c	16 to 149°C	High Limit	Manual Reset	10A Relay	Integral	DIN Rail	LV C6LU 0016 0149 A	3, 6
146E-1K2C-1200	120 VAC	K t/c	16 to 149°C	High Limit	Manual Reset	10A Relay	Remote	DIN Rail	LV C5LU 0016 0149 A	2, 3, 6
146E-1K2C-2100	120 VAC	K t/c	16 to 149°C	Low Limit	Manual Reset	10A Relay	Integral	DIN Rail	LV C6LY 0016 0149 A	3, 6
146E-1K2C-2200	120 VAC	K t/c	16 to 149°C	Low Limit	Manual Reset	10A Relay	Remote	DIN Rail	LV C5LY 0016 0149 A	2, 3, 6
146E-1K2C-3100	120 VAC	K t/c	16 to 149°C	High Limit	Auto Reset	10A Relay	Integral	DIN Rail	LV C6LW 0016 0149 A	3, 6
146E-1K2C-3200	120 VAC	K t/c	16 to 149°C	High Limit	Auto Reset	10A Relay	Remote	DIN Rail	LV C5LW 0016 0149 A	2, 3, 6
146E-1K2C-4100	120 VAC	K t/c	16 to 149°C	Low Limit	Auto Reset	10A Relay	Integral	DIN Rail	LV C6LZ 0016 0149 A	3, 6
146E-1K2C-4200	120 VAC	K t/c	16 to 149°C	Low Limit	Auto Reset	10A Relay	Remote	DIN Rail	LV C5LZ 0016 0149 A	2, 3, 6
146E-1K2D-1100	120 VAC	K t/c	60 to 300°F	High Limit	Manual Reset	10A Relay	Integral	DIN Rail	LV C6KU 0060 0300 A	3, 6, 8
146E-1K2D-1100	120 VAC	K t/c	16 to 149°C	High Limit	Manual Reset	10A Relay	Integral	DIN Rail	LV C6LU 0016 0149 A	3, 6, 8
146E-1K2D-1200	120 VAC	K t/c	60 to 300°F	High Limit	Manual Reset	10A Relay	Remote	DIN Rail	LV C5KU 0060 0300 A	2, 3, 6, 8

Series 146

Series 146	Line Voltage	Input	Temp Range	Control Mode	Action	Output	Set Point	Mounting	Retrofit control	See Notes Below
146E-1K2D-1200	120 VAC	K t/c	16 to 149°C	High Limit	Manual Reset	10A Relay	Remote	DIN Rail	LV C5LU 0016 0149 A	2, 3, 6, 8
146E-1K2D-2100	120 VAC	K t/c	60 to 300°F	Low Limit	Manual Reset	10A Relay	Integral	DIN Rail	LV C6KY 0060 0300 A	3, 6, 8
146E-1K2D-2100	120 VAC	K t/c	16 to 149°C	Low Limit	Manual Reset	10A Relay	Integral	DIN Rail	LV C6LY 0016 0149 A	3, 6, 8
146E-1K2D-2200	120 VAC	K t/c	60 to 300°F	Low Limit	Manual Reset	10A Relay	Remote	DIN Rail	LV C5KY 0060 0300 A	2, 3, 6, 8
146E-1K2D-2200	120 VAC	K t/c	16 to 149°C	Low Limit	Manual Reset	10A Relay	Remote	DIN Rail	LV C5LY 0016 0149 A	2, 3, 6, 8
146E-1K2D-3100	120 VAC	K t/c	60 to 300°F	High Limit	Auto Reset	10A Relay	Integral	DIN Rail	LV C6KW 0060 0300 A	3, 6, 8
146E-1K2D-3100	120 VAC	K t/c	16 to 149°C	High Limit	Auto Reset	10A Relay	Integral	DIN Rail	LV C6LW 0016 0149 A	3, 6, 8
146E-1K2D-3200	120 VAC	K t/c	60 to 300°F	High Limit	Auto Reset	10A Relay	Remote	DIN Rail	LV C5KW 0060 0300 A	2, 3, 6, 8
146E-1K2D-3200	120 VAC	K t/c	16 to 149°C	High Limit	Auto Reset	10A Relay	Remote	DIN Rail	LV C5LW 0016 0149 A	2, 3, 6, 8
146E-1K2D-4100	120 VAC	K t/c	60 to 300°F	Low Limit	Auto Reset	10A Relay	Integral	DIN Rail	LV C6KZ 0060 0300 A	3, 6, 8
146E-1K2D-4100	120 VAC	K t/c	16 to 149°C	Low Limit	Auto Reset	10A Relay	Integral	DIN Rail	LV C6LZ 0016 0149 A	3, 6, 8
146E-1K2D-4200	120 VAC	K t/c	60 to 300°F	Low Limit	Auto Reset	10A Relay	Remote	DIN Rail	LV C5KZ 0060 0300 A	2, 3, 6, 8
146E-1K2D-4200	120 VAC	K t/c	16 to 149°C	Low Limit	Auto Reset	10A Relay	Remote	DIN Rail	LV C5LZ 0016 0149 A	2, 3, 6, 8
146E-1K2F-1100	120 VAC	K t/c	60 to 300°F	High Limit	Manual Reset	10A Relay	Integral	DIN Rail	LV C6KU 0060 0300 A	3, 6
146E-1K2F-1200	120 VAC	K t/c	60 to 300°F	High Limit	Manual Reset	10A Relay	Remote	DIN Rail	LV C5KU 0060 0300 A	2, 3, 6
146E-1K2F-2100	120 VAC	K t/c	60 to 300°F	Low Limit	Manual Reset	10A Relay	Integral	DIN Rail	LV C6KY 0060 0300 A	3, 6
146E-1K2F-2200	120 VAC	K t/c	60 to 300°F	Low Limit	Manual Reset	10A Relay	Remote	DIN Rail	LV C5KY 0060 0300 A	2, 3, 6
146E-1K2F-3100	120 VAC	K t/c	60 to 300°F	High Limit	Auto Reset	10A Relay	Integral	DIN Rail	LV C6KW 0060 0300 A	3, 6
146E-1K2F-3200	120 VAC	K t/c	60 to 300°F	High Limit	Auto Reset	10A Relay	Remote	DIN Rail	LV C5KW 0060 0300 A	2, 3, 6
146E-1K2F-4100	120 VAC	K t/c	60 to 300°F	Low Limit	Auto Reset	10A Relay	Integral	DIN Rail	LV C6KZ 0060 0300 A	3, 6
146E-1K2F-4200	120 VAC	K t/c	60 to 300°F	Low Limit	Auto Reset	10A Relay	Remote	DIN Rail	LV C5KZ 0060 0300 A	2, 3, 6
146E-1K3C-1100	120 VAC	K t/c	0 to 600°C	High Limit	Manual Reset	10A Relay	Integral	DIN Rail	LV C6LU 0000 0600 A	3, 6
146E-1K3C-1200	120 VAC	K t/c	0 to 600°C	High Limit	Manual Reset	10A Relay	Remote	DIN Rail	LV C5LU 0000 0600 A	2, 3, 6
146E-1K3C-2100	120 VAC	K t/c	0 to 600°C	Low Limit	Manual Reset	10A Relay	Integral	DIN Rail	LV C6LY 0000 0600 A	3, 6
146E-1K3C-2200	120 VAC	K t/c	0 to 600°C	Low Limit	Manual Reset	10A Relay	Remote	DIN Rail	LV C5LY 0000 0600 A	2, 3, 6
146E-1K3C-3100	120 VAC	K t/c	0 to 600°C	High Limit	Auto Reset	10A Relay	Integral	DIN Rail	LV C6LW 0000 0600 A	3, 6
146E-1K3C-3200	120 VAC	K t/c	0 to 600°C	High Limit	Auto Reset	10A Relay	Remote	DIN Rail	LV C5LW 0000 0600 A	2, 3, 6
146E-1K3C-4100	120 VAC	K t/c	0 to 600°C	Low Limit	Auto Reset	10A Relay	Integral	DIN Rail	LV C6LZ 0000 0600 A	3, 6
146E-1K3C-4200	120 VAC	K t/c	0 to 600°C	Low Limit	Auto Reset	10A Relay	Remote	DIN Rail	LV C5LZ 0000 0600 A	2, 3, 6
146E-1K3D-1100	120 VAC	K t/c	32 to 1112°F	High Limit	Manual Reset	10A Relay	Integral	DIN Rail	LV C6KU 0032 1112 A	3, 6, 8
146E-1K3D-1100	120 VAC	K t/c	0 to 600°C	High Limit	Manual Reset	10A Relay	Integral	DIN Rail	LV C6LU 0000 0600 A	3, 6, 8
146E-1K3D-1200	120 VAC	K t/c	32 to 1112°F	High Limit	Manual Reset	10A Relay	Remote	DIN Rail	LV C5KU 0032 1112 A	2, 3, 6, 8
146E-1K3D-1200	120 VAC	K t/c	0 to 600°C	High Limit	Manual Reset	10A Relay	Remote	DIN Rail	LV C5LU 0000 0600 A	2, 3, 6, 8
146E-1K3D-2100	120 VAC	K t/c	32 to 1112°F	Low Limit	Manual Reset	10A Relay	Integral	DIN Rail	LV C6KY0032 1112 A	3, 6, 8
146E-1K3D-2100	120 VAC	K t/c	0 to 600°C	Low Limit	Manual Reset	10A Relay	Integral	DIN Rail	LV C6LY 0000 0600 A	3, 6, 8
146E-1K3D-2200	120 VAC	K t/c	32 to 1112°F	Low Limit	Manual Reset	10A Relay	Remote	DIN Rail	LV C5KY 0032 1112 A	2, 3, 6, 8
146E-1K3D-2200	120 VAC	K t/c	0 to 600°C	Low Limit	Manual Reset	10A Relay	Remote	DIN Rail	LV C5LY 0000 0600 A	2, 3, 6, 8
146E-1K3D-3100	120 VAC	K t/c	32 to 1112°F	High Limit	Auto Reset	10A Relay	Integral	DIN Rail	LV C6KW 0032 1112 A	3, 6, 8
146E-1K3D-3100	120 VAC	K t/c	0 to 600°C	High Limit	Auto Reset	10A Relay	Integral	DIN Rail	LV C6LW 0000 0600 A	3, 6, 8
146E-1K3D-3200	120 VAC	K t/c	32 to 1112°F	High Limit	Auto Reset	10A Relay	Remote	DIN Rail	LV C5KW 0032 1112 A	2, 3, 6, 8
146E-1K3D-3200	120 VAC	K t/c	0 to 600°C	High Limit	Auto Reset	10A Relay	Remote	DIN Rail	LV C5LW 0000 0600 A	2, 3, 6, 8

Series 146

Series 146	Line Voltage	Input	Temp Range	Control Mode	Action	Output	Set Point	Mounting	Retrofit control	See Notes Below
146E-1K3D-4100	120 VAC	K t/c	32 to 1112°F	Low Limit	Auto Reset	10A Relay	Integral	DIN Rail	LV C6KZ 0032 1112 A	3, 6, 8
146E-1K3D-4100	120 VAC	K t/c	0 to 600°C	Low Limit	Auto Reset	10A Relay	Integral	DIN Rail	LV C6LZ 0000 0600 A	3, 6, 8
146E-1K3D-4200	120 VAC	K t/c	32 to 1112°F	Low Limit	Auto Reset	10A Relay	Remote	DIN Rail	LV C5KZ0032 1112 A	2, 3, 6, 8
146E-1K3D-4200	120 VAC	K t/c	0 to 600°C	Low Limit	Auto Reset	10A Relay	Remote	DIN Rail	LV C5LZ 0000 0600 A	2, 3, 6, 8
146E-1K3F-1100	120 VAC	K t/c	32 to 1112°F	High Limit	Manual Reset	10A Relay	Integral	DIN Rail	LV C6KU 0032 1112 A	3, 6
146E-1K3F-1200	120 VAC	K t/c	32 to 1112°F	High Limit	Manual Reset	10A Relay	Remote	DIN Rail	LV C5KU 0032 1112 A	2, 3, 6
146E-1K3F-2100	120 VAC	K t/c	32 to 1112°F	Low Limit	Manual Reset	10A Relay	Integral	DIN Rail	LV C6KY0032 1112 A	3, 6
146E-1K3F-2200	120 VAC	K t/c	32 to 1112°F	Low Limit	Manual Reset	10A Relay	Remote	DIN Rail	LV C5KY 0032 1112 A	2, 3, 6
146E-1K3F-3100	120 VAC	K t/c	32 to 1112°F	High Limit	Auto Reset	10A Relay	Integral	DIN Rail	LV C6KW 0032 1112 A	3, 6
146E-1K3F-3200	120 VAC	K t/c	32 to 1112°F	High Limit	Auto Reset	10A Relay	Remote	DIN Rail	LV C5KW 0032 1112 A	2, 3, 6
146E-1K3F-4100	120 VAC	K t/c	32 to 1112°F	Low Limit	Auto Reset	10A Relay	Integral	DIN Rail	LV C6KZ 0032 1112 A	3, 6
146E-1K3F-4200	120 VAC	K t/c	32 to 1112°F	Low Limit	Auto Reset	10A Relay	Remote	DIN Rail	LV C5KZ0032 1112 A	2, 3, 6
146E-1K4C-1100	120 VAC	K t/c	0 to 66°C	High Limit	Manual Reset	10A Relay	Integral	DIN Rail	LV C6LU 0000 0066 A	3, 6
146E-1K4C-1200	120 VAC	K t/c	0 to 66°C	High Limit	Manual Reset	10A Relay	Remote	DIN Rail	LV C5LU 0000 0066 A	2, 3, 6
146E-1K4C-2100	120 VAC	K t/c	0 to 66°C	Low Limit	Manual Reset	10A Relay	Integral	DIN Rail	LV C6LY 0000 0066 A	3, 6
146E-1K4C-2200	120 VAC	K t/c	0 to 66°C	Low Limit	Manual Reset	10A Relay	Remote	DIN Rail	LV C5LY 0000 0066 A	2, 3, 6
146E-1K4C-3100	120 VAC	K t/c	0 to 66°C	High Limit	Auto Reset	10A Relay	Integral	DIN Rail	LV C6LW 0000 0066 A	3, 6
146E-1K4C-3200	120 VAC	K t/c	0 to 66°C	High Limit	Auto Reset	10A Relay	Remote	DIN Rail	LV C5LW 0000 0066 A	2, 3, 6
146E-1K4C-4100	120 VAC	K t/c	0 to 66°C	Low Limit	Auto Reset	10A Relay	Integral	DIN Rail	LV C6LZ 0000 0066 A	3, 6
146E-1K4C-4200	120 VAC	K t/c	0 to 66°C	Low Limit	Auto Reset	10A Relay	Remote	DIN Rail	LV C5LZ 0000 0066 A	2, 3, 6
146E-1K4D-1100	120 VAC	K t/c	32 to 150°F	High Limit	Manual Reset	10A Relay	Integral	DIN Rail	LV C6KU 0032 0150 A	3, 6, 8
146E-1K4D-1100	120 VAC	K t/c	0 to 66°C	High Limit	Manual Reset	10A Relay	Integral	DIN Rail	LV C6LU 0000 0066 A	3, 6, 8
146E-1K4D-1200	120 VAC	K t/c	32 to 150°F	High Limit	Manual Reset	10A Relay	Remote	DIN Rail	LV C5KU 0032 0150 A	2, 3, 6, 8
146E-1K4D-1200	120 VAC	K t/c	0 to 66°C	High Limit	Manual Reset	10A Relay	Remote	DIN Rail	LV C5LU 0000 0066 A	2, 3, 6, 8
146E-1K4D-2100	120 VAC	K t/c	32 to 150°F	Low Limit	Manual Reset	10A Relay	Integral	DIN Rail	LV C6KY 0032 0150 A	3, 6, 8
146E-1K4D-2100	120 VAC	K t/c	0 to 66°C	Low Limit	Manual Reset	10A Relay	Integral	DIN Rail	LV C6LY 0000 0066 A	3, 6, 8
146E-1K4D-2200	120 VAC	K t/c	32 to 150°F	Low Limit	Manual Reset	10A Relay	Remote	DIN Rail	LV C5KY 0032 0150 A	2, 3, 6, 8
146E-1K4D-2200	120 VAC	K t/c	0 to 66°C	Low Limit	Manual Reset	10A Relay	Remote	DIN Rail	LV C5LY 0000 0066 A	2, 3, 6, 8
146E-1K4D-3100	120 VAC	K t/c	32 to 150°F	High Limit	Auto Reset	10A Relay	Integral	DIN Rail	LV C6KW 0032 0150 A	3, 6, 8
146E-1K4D-3100	120 VAC	K t/c	0 to 66°C	High Limit	Auto Reset	10A Relay	Integral	DIN Rail	LV C6LW 0000 0066 A	3, 6, 8
146E-1K4D-3200	120 VAC	K t/c	32 to 150°F	High Limit	Auto Reset	10A Relay	Remote	DIN Rail	LV C5KW 0032 0150 A	2, 3, 6, 8
146E-1K4D-3200	120 VAC	K t/c	0 to 66°C	High Limit	Auto Reset	10A Relay	Remote	DIN Rail	LV C5LW 0000 0066 A	2, 3, 6, 8
146E-1K4D-4100	120 VAC	K t/c	32 to 150°F	Low Limit	Auto Reset	10A Relay	Integral	DIN Rail	LV C6KZ 0032 0150 A	3, 6, 8
146E-1K4D-4100	120 VAC	K t/c	0 to 66°C	Low Limit	Auto Reset	10A Relay	Integral	DIN Rail	LV C6LZ 0000 0066 A	3, 6, 8
146E-1K4D-4200	120 VAC	K t/c	32 to 150°F	Low Limit	Auto Reset	10A Relay	Remote	DIN Rail	LV C5KZ 0032 0150 A	2, 3, 6, 8
146E-1K4D-4200	120 VAC	K t/c	0 to 66°C	Low Limit	Auto Reset	10A Relay	Remote	DIN Rail	LV C5LZ 0000 0066 A	2, 3, 6, 8
146E-1K4F-1100	120 VAC	K t/c	32 to 150°F	High Limit	Manual Reset	10A Relay	Integral	DIN Rail	LV C6KU 0032 0150 A	3, 6
146E-1K4F-1200	120 VAC	K t/c	32 to 150°F	High Limit	Manual Reset	10A Relay	Remote	DIN Rail	LV C5KU 0032 0150 A	2, 3, 6
146E-1K4F-2100	120 VAC	K t/c	32 to 150°F	Low Limit	Manual Reset	10A Relay	Integral	DIN Rail	LV C6KY 0032 0150 A	3, 6
146E-1K4F-2200	120 VAC	K t/c	32 to 150°F	Low Limit	Manual Reset	10A Relay	Remote	DIN Rail	LV C5KY 0032 0150 A	2, 3, 6
146E-1K4F-3100	120 VAC	K t/c	32 to 150°F	High Limit	Auto Reset	10A Relay	Integral	DIN Rail	LV C6KW 0032 0150 A	3, 6

Series 146

Series 146	Line Voltage	Input	Temp Range	Control Mode	Action	Output	Set Point	Mounting	Retrofit control	See Notes Below
146E-1K4F-3200	120 VAC	K t/c	32 to 150°F	High Limit	Auto Reset	10A Relay	Remote	DIN Rail	LV C5KW 0032 0150 A	2, 3, 6
146E-1K4F-4100	120 VAC	K t/c	32 to 150°F	Low Limit	Auto Reset	10A Relay	Integral	DIN Rail	LV C6KZ 0032 0150 A	3, 6
146E-1K4F-4200	120 VAC	K t/c	32 to 150°F	Low Limit	Auto Reset	10A Relay	Remote	DIN Rail	LV C5KZ 0032 0150 A	2, 3, 6
146E-1K5C-1100	120 VAC	K t/c	-17 to 315°C	High Limit	Manual Reset	10A Relay	Integral	DIN Rail	LV C6LU -017 0315 A	3, 6
146E-1K5C-1200	120 VAC	K t/c	-17 to 315°C	High Limit	Manual Reset	10A Relay	Remote	DIN Rail	LV C5LU -017 0315 A	2, 3, 6
146E-1K5C-2100	120 VAC	K t/c	-17 to 315°C	Low Limit	Manual Reset	10A Relay	Integral	DIN Rail	LV C6LY -017 0315 A	3, 6
146E-1K5C-2200	120 VAC	K t/c	-17 to 315°C	Low Limit	Manual Reset	10A Relay	Remote	DIN Rail	LV C5LY -017 0315 A	2, 3, 6
146E-1K5C-3100	120 VAC	K t/c	-17 to 315°C	High Limit	Auto Reset	10A Relay	Integral	DIN Rail	LV C6LW -017 0315 A	3, 6
146E-1K5C-3200	120 VAC	K t/c	-17 to 315°C	High Limit	Auto Reset	10A Relay	Remote	DIN Rail	LV C5LW -017 0315 A	2, 3, 6
146E-1K5C-4100	120 VAC	K t/c	-17 to 315°C	Low Limit	Auto Reset	10A Relay	Integral	DIN Rail	LV C6LZ -017 0315 A	3, 6
146E-1K5C-4200	120 VAC	K t/c	-17 to 315°C	Low Limit	Auto Reset	10A Relay	Remote	DIN Rail	LV C5LZ -017 0315 A	2, 3, 6
146E-1K5D-1100	120 VAC	K t/c	0 to 600°F	High Limit	Manual Reset	10A Relay	Integral	DIN Rail	LV C6KU 0000 0600 A	3, 6, 8
146E-1K5D-1100	120 VAC	K t/c	-17 to 315°C	High Limit	Manual Reset	10A Relay	Integral	DIN Rail	LV C6LU -017 0315 A	3, 6, 8
146E-1K5D-1200	120 VAC	K t/c	0 to 600°F	High Limit	Manual Reset	10A Relay	Remote	DIN Rail	LV C5KU 0000 0600 A	2, 3, 6, 8
146E-1K5D-1200	120 VAC	K t/c	-17 to 315°C	High Limit	Manual Reset	10A Relay	Remote	DIN Rail	LV C5LU -017 0315 A	2, 3, 6, 8
146E-1K5D-2100	120 VAC	K t/c	0 to 600°F	Low Limit	Manual Reset	10A Relay	Integral	DIN Rail	LV C6KY 0000 0600 A	3, 6, 8
146E-1K5D-2100	120 VAC	K t/c	-17 to 315°C	Low Limit	Manual Reset	10A Relay	Integral	DIN Rail	LV C6LY -017 0315 A	3, 6, 8
146E-1K5D-2200	120 VAC	K t/c	0 to 600°F	Low Limit	Manual Reset	10A Relay	Remote	DIN Rail	LV C5KY 0000 0600 A	2, 3, 6, 8
146E-1K5D-2200	120 VAC	K t/c	-17 to 315°C	Low Limit	Manual Reset	10A Relay	Remote	DIN Rail	LV C5LY -017 0315 A	2, 3, 6, 8
146E-1K5D-3100	120 VAC	K t/c	0 to 600°F	High Limit	Auto Reset	10A Relay	Integral	DIN Rail	LV C6KW 0000 0600 A	3, 6, 8
146E-1K5D-3100	120 VAC	K t/c	-17 to 315°C	High Limit	Auto Reset	10A Relay	Integral	DIN Rail	LV C6LW -017 0315 A	3, 6, 8
146E-1K5D-3200	120 VAC	K t/c	0 to 600°F	High Limit	Auto Reset	10A Relay	Remote	DIN Rail	LV C5KW 0000 0600 A	2, 3, 6, 8
146E-1K5D-3200	120 VAC	K t/c	-17 to 315°C	High Limit	Auto Reset	10A Relay	Remote	DIN Rail	LV C5LW -017 0315 A	2, 3, 6, 8
146E-1K5D-4100	120 VAC	K t/c	0 to 600°F	Low Limit	Auto Reset	10A Relay	Integral	DIN Rail	LV C6KZ 0000 0600 A	3, 6, 8
146E-1K5D-4100	120 VAC	K t/c	-17 to 315°C	Low Limit	Auto Reset	10A Relay	Integral	DIN Rail	LV C6LZ -017 0315 A	3, 6, 8
146E-1K5D-4200	120 VAC	K t/c	0 to 600°F	Low Limit	Auto Reset	10A Relay	Remote	DIN Rail	LV C5KZ 0000 0600 A	2, 3, 6, 8
146E-1K5D-4200	120 VAC	K t/c	-17 to 315°C	Low Limit	Auto Reset	10A Relay	Remote	DIN Rail	LV C5LZ -017 0315 A	2, 3, 6, 8
146E-1K5F-1100	120 VAC	K t/c	0 to 600°F	High Limit	Manual Reset	10A Relay	Integral	DIN Rail	LV C6KU 0000 0600 A	3, 6
146E-1K5F-1200	120 VAC	K t/c	0 to 600°F	High Limit	Manual Reset	10A Relay	Remote	DIN Rail	LV C5KU 0000 0600 A	2, 3, 6
146E-1K5F-2100	120 VAC	K t/c	0 to 600°F	Low Limit	Manual Reset	10A Relay	Integral	DIN Rail	LV C6KY 0000 0600 A	3, 6
146E-1K5F-2200	120 VAC	K t/c	0 to 600°F	Low Limit	Manual Reset	10A Relay	Remote	DIN Rail	LV C5KY 0000 0600 A	2, 3, 6
146E-1K5F-3100	120 VAC	K t/c	0 to 600°F	High Limit	Auto Reset	10A Relay	Integral	DIN Rail	LV C6KW 0000 0600 A	3, 6
146E-1K5F-3200	120 VAC	K t/c	0 to 600°F	High Limit	Auto Reset	10A Relay	Remote	DIN Rail	LV C5KW 0000 0600 A	2, 3, 6
146E-1K5F-4100	120 VAC	K t/c	0 to 600°F	Low Limit	Auto Reset	10A Relay	Integral	DIN Rail	LV C6KZ 0000 0600 A	3, 6
146E-1K5F-4200	120 VAC	K t/c	0 to 600°F	Low Limit	Auto Reset	10A Relay	Remote	DIN Rail	LV C5KZ 0000 0600 A	2, 3, 6
146E-1P1C-1100	120 VAC	100 ohm DIN	-73 to 600°C	High Limit	Manual Reset	10A Relay	Integral	DIN Rail	LV C6RU -073 0600 A	3, 6
146E-1P1C-1200	120 VAC	100 ohm DIN	-73 to 600°C	High Limit	Manual Reset	10A Relay	Remote	DIN Rail	LV C5RU -073 0600 A	2, 3, 6
146E-1P1C-2100	120 VAC	100 ohm DIN	-73 to 600°C	Low Limit	Manual Reset	10A Relay	Integral	DIN Rail	LV C6RY -073 0600 A	3, 6
146E-1P1C-2200	120 VAC	100 ohm DIN	-73 to 600°C	Low Limit	Manual Reset	10A Relay	Remote	DIN Rail	LV C5RY -073 0600 A	2, 3, 6
146E-1P1C-3100	120 VAC	100 ohm DIN	-73 to 600°C	High Limit	Auto Reset	10A Relay	Integral	DIN Rail	LV C6RW -073 0600 A	3, 6
146E-1P1C-3200	120 VAC	100 ohm DIN	-73 to 600°C	High Limit	Auto Reset	10A Relay	Remote	DIN Rail	LV C5RW -073 0600 A	2, 3, 6

Series 146

Series 146	Line Voltage	Input	Temp Range	Control Mode	Action	Output	Set Point	Mounting	Retrofit control	See Notes Below
146E-1P1C-4100	120 VAC	100 ohm DIN	-73 to 600°C	Low Limit	Auto Reset	10A Relay	Integral	DIN Rail	LV C6RZ -073 0600 A	3, 6
146E-1P1C-4200	120 VAC	100 ohm DIN	-73 to 600°C	Low Limit	Auto Reset	10A Relay	Remote	DIN Rail	LV C5RZ -073 0600 A	2, 3, 6
146E-1P1D-1100	120 VAC	100 ohm DIN	-73 to 600°C	High Limit	Manual Reset	10A Relay	Integral	DIN Rail	LV C6RU -073 0600 A	3, 6, 8
146E-1P1D-1100	120 VAC	100 ohm DIN	-100 to 1112 °F	High Limit	Manual Reset	10A Relay	Integral	DIN Rail	LV C6PU -100 1112 A	3, 6, 8
146E-1P1D-1200	120 VAC	100 ohm DIN	-73 to 600°C	High Limit	Manual Reset	10A Relay	Remote	DIN Rail	LV C5RU -073 0600 A	2, 3, 6, 8
146E-1P1D-1200	120 VAC	100 ohm DIN	-100 to 1112 °F	High Limit	Manual Reset	10A Relay	Remote	DIN Rail	LV C5PU -100 1112 A	2, 3, 6, 8
146E-1P1D-2100	120 VAC	100 ohm DIN	-73 to 600°C	Low Limit	Manual Reset	10A Relay	Integral	DIN Rail	LV C6RY -073 0600 A	3, 6, 8
146E-1P1D-2100	120 VAC	100 ohm DIN	-100 to 1112 °F	Low Limit	Manual Reset	10A Relay	Integral	DIN Rail	LV C6PY -100 1112 A	3, 6, 8
146E-1P1D-2200	120 VAC	100 ohm DIN	-73 to 600°C	Low Limit	Manual Reset	10A Relay	Remote	DIN Rail	LV C5RY -073 0600 A	2, 3, 6, 8
146E-1P1D-2200	120 VAC	100 ohm DIN	-100 to 1112 °F	Low Limit	Manual Reset	10A Relay	Remote	DIN Rail	LV C5PY -100 1112 A	2, 3, 6, 8
146E-1P1D-3100	120 VAC	100 ohm DIN	-73 to 600°C	High Limit	Auto Reset	10A Relay	Integral	DIN Rail	LV C6RW -073 0600 A	3, 6, 8
146E-1P1D-3100	120 VAC	100 ohm DIN	-100 to 1112 °F	High Limit	Auto Reset	10A Relay	Integral	DIN Rail	LV C6PW -100 1112 A	3, 6, 8
146E-1P1D-3200	120 VAC	100 ohm DIN	-73 to 600°C	High Limit	Auto Reset	10A Relay	Remote	DIN Rail	LV C5RW -073 0600 A	2, 3, 6, 8
146E-1P1D-3200	120 VAC	100 ohm DIN	-100 to 1112 °F	High Limit	Auto Reset	10A Relay	Remote	DIN Rail	LV C5PW -100 1112 A	2, 3, 6, 8
146E-1P1D-4100	120 VAC	100 ohm DIN	-73 to 600°C	Low Limit	Auto Reset	10A Relay	Integral	DIN Rail	LV C6RZ -073 0600 A	3, 6, 8
146E-1P1D-4100	120 VAC	100 ohm DIN	-100 to 1112 °F	Low Limit	Auto Reset	10A Relay	Integral	DIN Rail	LV C6PZ -100 1112 A	3, 6, 8
146E-1P1D-4200	120 VAC	100 ohm DIN	-73 to 600°C	Low Limit	Auto Reset	10A Relay	Remote	DIN Rail	LV C5RZ -073 0600 A	2, 3, 6, 8
146E-1P1D-4200	120 VAC	100 ohm DIN	-100 to 1112 °F	Low Limit	Auto Reset	10A Relay	Remote	DIN Rail	LV C5PZ -100 1112 A	2, 3, 6, 8
146E-1P1F-1100	120 VAC	100 ohm DIN	-100 to 1112 °F	High Limit	Manual Reset	10A Relay	Integral	DIN Rail	LV C6PU -100 1112 A	3, 6
146E-1P1F-1200	120 VAC	100 ohm DIN	-100 to 1112 °F	High Limit	Manual Reset	10A Relay	Remote	DIN Rail	LV C5PU -100 1112 A	2, 3, 6
146E-1P1F-2100	120 VAC	100 ohm DIN	-100 to 1112 °F	Low Limit	Manual Reset	10A Relay	Integral	DIN Rail	LV C6PY -100 1112 A	3, 6
146E-1P1F-2200	120 VAC	100 ohm DIN	-100 to 1112 °F	Low Limit	Manual Reset	10A Relay	Remote	DIN Rail	LV C5PY -100 1112 A	2, 3, 6
146E-1P1F-3100	120 VAC	100 ohm DIN	-100 to 1112 °F	High Limit	Auto Reset	10A Relay	Integral	DIN Rail	LV C6PW -100 1112 A	3, 6
146E-1P1F-3200	120 VAC	100 ohm DIN	-100 to 1112 °F	High Limit	Auto Reset	10A Relay	Remote	DIN Rail	LV C5PW -100 1112 A	2, 3, 6
146E-1P1F-4100	120 VAC	100 ohm DIN	-100 to 1112 °F	Low Limit	Auto Reset	10A Relay	Integral	DIN Rail	LV C6PZ -100 1112 A	3, 6
146E-1P1F-4200	120 VAC	100 ohm DIN	-100 to 1112 °F	Low Limit	Auto Reset	10A Relay	Remote	DIN Rail	LV C5PZ -100 1112 A	2, 3, 6
146E-1T1C-1100	120 VAC	T t/c	-200 to 350°C	High Limit	Manual Reset	10A Relay	Integral	DIN Rail	LV C6NU -200 0350 A	3, 6
146E-1T1C-1200	120 VAC	T t/c	-200 to 350°C	High Limit	Manual Reset	10A Relay	Remote	DIN Rail	LV C5NU -200 0350 A	2, 3, 6
146E-1T1C-2100	120 VAC	T t/c	-200 to 350°C	Low Limit	Manual Reset	10A Relay	Integral	DIN Rail	LV C6NY -200 0350 A	3, 6
146E-1T1C-2200	120 VAC	T t/c	-200 to 350°C	Low Limit	Manual Reset	10A Relay	Remote	DIN Rail	LV C5NY -200 0350 A	2, 3, 6
146E-1T1C-3100	120 VAC	T t/c	-200 to 350°C	High Limit	Auto Reset	10A Relay	Integral	DIN Rail	LV C6NW -200 0350 A	3, 6
146E-1T1C-3200	120 VAC	T t/c	-200 to 350°C	High Limit	Auto Reset	10A Relay	Remote	DIN Rail	LV C5NW -200 0350 A	2, 3, 6
146E-1T1C-4100	120 VAC	T t/c	-200 to 350°C	Low Limit	Auto Reset	10A Relay	Integral	DIN Rail	LV C6NZ -200 0350 A	3, 6
146E-1T1C-4200	120 VAC	T t/c	-200 to 350°C	Low Limit	Auto Reset	10A Relay	Remote	DIN Rail	LV C5NZ -200 0350 A	2, 3, 6
146E-1T1D-1100	120 VAC	T t/c	-328 to 662°F	High Limit	Manual Reset	10A Relay	Integral	DIN Rail	LV C6MU -328 0662 A	3, 6, 8
146E-1T1D-1100	120 VAC	T t/c	-200 to 350°C	High Limit	Manual Reset	10A Relay	Integral	DIN Rail	LV C6NU -200 0350 A	3, 6, 8
146E-1T1D-1200	120 VAC	T t/c	-328 to 662°F	High Limit	Manual Reset	10A Relay	Remote	DIN Rail	LV C5MU -328 0662 A	2, 3, 6, 8
146E-1T1D-1200	120 VAC	T t/c	-200 to 350°C	High Limit	Manual Reset	10A Relay	Remote	DIN Rail	LV C5NU -200 0350 A	2, 3, 6, 8
146E-1T1D-2100	120 VAC	T t/c	-328 to 662°F	Low Limit	Manual Reset	10A Relay	Integral	DIN Rail	LV C6MY -328 0662 A	3, 6, 8
146E-1T1D-2100	120 VAC	T t/c	-200 to 350°C	Low Limit	Manual Reset	10A Relay	Integral	DIN Rail	LV C6NY -200 0350 A	3, 6, 8
146E-1T1D-2200	120 VAC	T t/c	-328 to 662°F	Low Limit	Manual Reset	10A Relay	Remote	DIN Rail	LV C5MY -328 0662 A	2, 3, 6, 8

Series 146

Series 146	Line Voltage	Input	Temp Range	Control Mode	Action	Output	Set Point	Mounting	Retrofit control	See Notes Below
146E-1T1D-2200	120 VAC	T t/c	-200 to 350°C	Low Limit	Manual Reset	10A Relay	Remote	DIN Rail	LV C5NY -200 0350 A	2, 3, 6, 8
146E-1T1D-3100	120 VAC	T t/c	-328 to 662°F	High Limit	Auto Reset	10A Relay	Integral	DIN Rail	LV C6MW -328 0662 A	3, 6, 8
146E-1T1D-3100	120 VAC	T t/c	-200 to 350°C	High Limit	Auto Reset	10A Relay	Integral	DIN Rail	LV C6NW -200 0350 A	3, 6, 8
146E-1T1D-3200	120 VAC	T t/c	-328 to 662°F	High Limit	Auto Reset	10A Relay	Remote	DIN Rail	LV C5MW -328 0662 A	2, 3, 6, 8
146E-1T1D-3200	120 VAC	T t/c	-200 to 350°C	High Limit	Auto Reset	10A Relay	Remote	DIN Rail	LV C5NW -200 0350 A	2, 3, 6, 8
146E-1T1D-4100	120 VAC	T t/c	-328 to 662°F	Low Limit	Auto Reset	10A Relay	Integral	DIN Rail	LV C6MZ -328 0662 A	3, 6, 8
146E-1T1D-4100	120 VAC	T t/c	-200 to 350°C	Low Limit	Auto Reset	10A Relay	Integral	DIN Rail	LV C6NZ -200 0350 A	3, 6, 8
146E-1T1D-4200	120 VAC	T t/c	-328 to 662°F	Low Limit	Auto Reset	10A Relay	Remote	DIN Rail	LV C5MZ -328 0662 A	2, 3, 6, 8
146E-1T1D-4200	120 VAC	T t/c	-200 to 350°C	Low Limit	Auto Reset	10A Relay	Remote	DIN Rail	LV C5NZ -200 0350 A	2, 3, 6, 8
146E-1T1F-1100	120 VAC	T t/c	-328 to 662°F	High Limit	Manual Reset	10A Relay	Integral	DIN Rail	LV C6MU -328 0662 A	3, 6
146E-1T1F-1200	120 VAC	T t/c	-328 to 662°F	High Limit	Manual Reset	10A Relay	Remote	DIN Rail	LV C5MU -328 0662 A	2, 3, 6
146E-1T1F-2100	120 VAC	T t/c	-328 to 662°F	Low Limit	Manual Reset	10A Relay	Integral	DIN Rail	LV C6MY -328 0662 A	3, 6
146E-1T1F-2200	120 VAC	T t/c	-328 to 662°F	Low Limit	Manual Reset	10A Relay	Remote	DIN Rail	LV C5MY -328 0662 A	2, 3, 6
146E-1T1F-3100	120 VAC	T t/c	-328 to 662°F	High Limit	Auto Reset	10A Relay	Integral	DIN Rail	LV C6MW -328 0662 A	3, 6
146E-1T1F-3200	120 VAC	T t/c	-328 to 662°F	High Limit	Auto Reset	10A Relay	Remote	DIN Rail	LV C5MW -328 0662 A	2, 3, 6
146E-1T1F-4100	120 VAC	T t/c	-328 to 662°F	Low Limit	Auto Reset	10A Relay	Integral	DIN Rail	LV C6MZ -328 0662 A	3, 6
146E-1T1F-4200	120 VAC	T t/c	-328 to 662°F	Low Limit	Auto Reset	10A Relay	Remote	DIN Rail	LV C5MZ -328 0662 A	2, 3, 6
146E-2101-1000	230 VAC	100 ohm DIN	-73 to 600°C	High Limit	Manual Reset	8A Relay	Integral	DIN Rail	LV E6RU -073 0600 A	6, 8
146E-2101-1000	230 VAC	100 ohm DIN	-100 to 1112°F	High Limit	Manual Reset	8A Relay	Integral	DIN Rail	LV E6PU -100 1112 A	6, 8
146E-2101-1N00	230 VAC	100 ohm DIN	-73 to 600°C	High Limit	Manual Reset	8A Relay	Remote	DIN Rail	LV E5RU -073 0600 A	2, 6, 8
146E-2101-1N00	230 VAC	100 ohm DIN	-100 to 1112°F	High Limit	Manual Reset	8A Relay	Remote	DIN Rail	LV E5PU -100 1112 A	2, 6, 8
146E-2101-1P00	230 VAC	100 ohm DIN	-73 to 600°C	High Limit	Manual Reset	8A Relay	Remote	DIN Rail	LV E5RU -073 0600 A	2, 6, 8
146E-2101-1P00	230 VAC	100 ohm DIN	-100 to 1112°F	High Limit	Manual Reset	8A Relay	Remote	DIN Rail	LV E5PU -100 1112 A	2, 6, 8
146E-2101-1S00	230 VAC	100 ohm DIN	-73 to 600°C	High Limit	Manual Reset	8A Relay	Remote	DIN Rail	LV E5RU -073 0600 A	2, 6, 8
146E-2101-1S00	230 VAC	100 ohm DIN	-100 to 1112°F	High Limit	Manual Reset	8A Relay	Remote	DIN Rail	LV E5PU -100 1112 A	2, 6, 8
146E-2101-2000	230 VAC	100 ohm DIN	-73 to 600°C	Low Limit	Manual Reset	8A Relay	Integral	DIN Rail	LV E6RY -073 0600 A	6, 8
146E-2101-2000	230 VAC	100 ohm DIN	-100 to 1112°F	Low Limit	Manual Reset	8A Relay	Integral	DIN Rail	LV E6PY -100 1112 A	6, 8
146E-2101-2N00	230 VAC	100 ohm DIN	-73 to 600°C	Low Limit	Manual Reset	8A Relay	Remote	DIN Rail	LV E5RY -073 0600 A	2, 6, 8
146E-2101-2N00	230 VAC	100 ohm DIN	-100 to 1112°F	Low Limit	Manual Reset	8A Relay	Remote	DIN Rail	LV E5PY -100 1112 A	2, 6, 8
146E-2101-2P00	230 VAC	100 ohm DIN	-73 to 600°C	Low Limit	Manual Reset	8A Relay	Remote	DIN Rail	LV E5RY -073 0600 A	2, 6, 8
146E-2101-2P00	230 VAC	100 ohm DIN	-100 to 1112°F	Low Limit	Manual Reset	8A Relay	Remote	DIN Rail	LV E5PY -100 1112 A	2, 6, 8
146E-2101-2S00	230 VAC	100 ohm DIN	-73 to 600°C	Low Limit	Manual Reset	8A Relay	Remote	DIN Rail	LV E5RY -073 0600 A	2, 6, 8
146E-2101-2S00	230 VAC	100 ohm DIN	-100 to 1112°F	Low Limit	Manual Reset	8A Relay	Remote	DIN Rail	LV E5PY -100 1112 A	2, 6, 8
146E-2101-3000	230 VAC	100 ohm DIN	-73 to 600°C	High Limit	Auto Reset	8A Relay	Integral	DIN Rail	LV E6RW -073 0600 A	6, 8
146E-2101-3000	230 VAC	100 ohm DIN	-100 to 1112°F	High Limit	Auto Reset	8A Relay	Integral	DIN Rail	LV E6PW -100 1112 A	6, 8
146E-2101-3N00	230 VAC	100 ohm DIN	-73 to 600°C	High Limit	Auto Reset	8A Relay	Remote	DIN Rail	LV E5RW -073 0600 A	2, 6, 8
146E-2101-3N00	230 VAC	100 ohm DIN	-100 to 1112°F	High Limit	Auto Reset	8A Relay	Remote	DIN Rail	LV E5PW -100 1112 A	2, 6, 8
146E-2101-3P00	230 VAC	100 ohm DIN	-73 to 600°C	High Limit	Auto Reset	8A Relay	Remote	DIN Rail	LV E5RW -073 0600 A	2, 6, 8
146E-2101-3P00	230 VAC	100 ohm DIN	-100 to 1112°F	High Limit	Auto Reset	8A Relay	Remote	DIN Rail	LV E5PW -100 1112 A	2, 6, 8
146E-2101-3S00	230 VAC	100 ohm DIN	-73 to 600°C	High Limit	Auto Reset	8A Relay	Remote	DIN Rail	LV E5RW -073 0600 A	2, 6, 8
146E-2101-3S00	230 VAC	100 ohm DIN	-100 to 1112°F	High Limit	Auto Reset	8A Relay	Remote	DIN Rail	LV E5PW -100 1112 A	2, 6, 8

Series 146

Series 146	Line Voltage	Input	Temp Range	Control Mode	Action	Output	Set Point	Mounting	Retrofit control	See Notes Below
146E-2101-4000	230 VAC	100 ohm DIN	-73 to 600°C	Low Limit	Auto Reset	8A Relay	Integral	DIN Rail	LV E6RZ -073 0600 A	6, 8
146E-2101-4000	230 VAC	100 ohm DIN	-100 to 1112°F	Low Limit	Auto Reset	8A Relay	Integral	DIN Rail	LV E6PZ -100 1112 A	6, 8
146E-2101-4N00	230 VAC	100 ohm DIN	-73 to 600°C	Low Limit	Auto Reset	8A Relay	Remote	DIN Rail	LV E5RZ -073 0600 A	2, 6, 8
146E-2101-4N00	230 VAC	100 ohm DIN	-100 to 1112°F	Low Limit	Auto Reset	8A Relay	Remote	DIN Rail	LV E5PZ -100 1112 A	2, 6, 8
146E-2101-4P00	230 VAC	100 ohm DIN	-73 to 600°C	Low Limit	Auto Reset	8A Relay	Remote	DIN Rail	LV E5RZ -073 0600 A	2, 6, 8
146E-2101-4P00	230 VAC	100 ohm DIN	-100 to 1112°F	Low Limit	Auto Reset	8A Relay	Remote	DIN Rail	LV E5PZ -100 1112 A	2, 6, 8
146E-2101-4S00	230 VAC	100 ohm DIN	-73 to 600°C	Low Limit	Auto Reset	8A Relay	Remote	DIN Rail	LV E5RZ -073 0600 A	2, 6, 8
146E-2101-4S00	230 VAC	100 ohm DIN	-100 to 1112°F	Low Limit	Auto Reset	8A Relay	Remote	DIN Rail	LV E5PZ -100 1112 A	2, 6, 8
146E-2104-1000	230 VAC	1K ohm	-73 to 600°C	High Limit	Manual Reset	8A Relay	Integral	DIN Rail	LV E6RU -073 0600 A	1, 6, 8
146E-2104-1000	230 VAC	1K ohm	-100 to 1112°F	High Limit	Manual Reset	8A Relay	Integral	DIN Rail	LV E6PU -100 1112 A	1, 6, 8
146E-2104-1N00	230 VAC	1K ohm	-73 to 600°C	High Limit	Manual Reset	8A Relay	Remote	DIN Rail	LV E5RU -073 0600 A	1, 2, 6, 8
146E-2104-1N00	230 VAC	1K ohm	-100 to 1112°F	High Limit	Manual Reset	8A Relay	Remote	DIN Rail	LV E5PU -100 1112 A	1, 2, 6, 8
146E-2104-1P00	230 VAC	1K ohm	-73 to 600°C	High Limit	Manual Reset	8A Relay	Remote	DIN Rail	LV E5RU -073 0600 A	1, 2, 6, 8
146E-2104-1P00	230 VAC	1K ohm	-100 to 1112°F	High Limit	Manual Reset	8A Relay	Remote	DIN Rail	LV E5PU -100 1112 A	1, 2, 6, 8
146E-2104-1S00	230 VAC	1K ohm	-73 to 600°C	High Limit	Manual Reset	8A Relay	Remote	DIN Rail	LV E5RU -073 0600 A	1, 2, 6, 8
146E-2104-1S00	230 VAC	1K ohm	-100 to 1112°F	High Limit	Manual Reset	8A Relay	Remote	DIN Rail	LV E5PU -100 1112 A	1, 2, 6, 8
146E-2104-2000	230 VAC	1K ohm	-73 to 600°C	Low Limit	Manual Reset	8A Relay	Integral	DIN Rail	LV E6RY -073 0600 A	1, 6, 8
146E-2104-2000	230 VAC	1K ohm	-100 to 1112°F	Low Limit	Manual Reset	8A Relay	Integral	DIN Rail	LV E6PY -100 1112 A	1, 6, 8
146E-2104-2N00	230 VAC	1K ohm	-73 to 600°C	Low Limit	Manual Reset	8A Relay	Remote	DIN Rail	LV E5RY -073 0600 A	1, 2, 6, 8
146E-2104-2N00	230 VAC	1K ohm	-100 to 1112°F	Low Limit	Manual Reset	8A Relay	Remote	DIN Rail	LV E5PY -100 1112 A	1, 2, 6, 8
146E-2104-2P00	230 VAC	1K ohm	-73 to 600°C	Low Limit	Manual Reset	8A Relay	Remote	DIN Rail	LV E5RY -073 0600 A	1, 2, 6, 8
146E-2104-2P00	230 VAC	1K ohm	-100 to 1112°F	Low Limit	Manual Reset	8A Relay	Remote	DIN Rail	LV E5PY -100 1112 A	1, 2, 6, 8
146E-2104-2S00	230 VAC	1K ohm	-73 to 600°C	Low Limit	Manual Reset	8A Relay	Remote	DIN Rail	LV E5RY -073 0600 A	1, 2, 6, 8
146E-2104-2S00	230 VAC	1K ohm	-100 to 1112°F	Low Limit	Manual Reset	8A Relay	Remote	DIN Rail	LV E5PY -100 1112 A	1, 2, 6, 8
146E-2104-3000	230 VAC	1K ohm	-73 to 600°C	High Limit	Auto Reset	8A Relay	Integral	DIN Rail	LV E6RW -073 0600 A	1, 6, 8
146E-2104-3000	230 VAC	1K ohm	-100 to 1112°F	High Limit	Auto Reset	8A Relay	Integral	DIN Rail	LV E6PW -100 1112 A	1, 6, 8
146E-2104-3N00	230 VAC	1K ohm	-73 to 600°C	High Limit	Auto Reset	8A Relay	Remote	DIN Rail	LV E5RW -073 0600 A	1, 2, 6, 8
146E-2104-3N00	230 VAC	1K ohm	-100 to 1112°F	High Limit	Auto Reset	8A Relay	Remote	DIN Rail	LV E5PW -100 1112 A	1, 2, 6, 8
146E-2104-3P00	230 VAC	1K ohm	-73 to 600°C	High Limit	Auto Reset	8A Relay	Remote	DIN Rail	LV E5RW -073 0600 A	1, 2, 6, 8
146E-2104-3P00	230 VAC	1K ohm	-100 to 1112°F	High Limit	Auto Reset	8A Relay	Remote	DIN Rail	LV E5PW -100 1112 A	1, 2, 6, 8
146E-2104-3S00	230 VAC	1K ohm	-73 to 600°C	High Limit	Auto Reset	8A Relay	Remote	DIN Rail	LV E5RW -073 0600 A	1, 2, 6, 8
146E-2104-3S00	230 VAC	1K ohm	-100 to 1112°F	High Limit	Auto Reset	8A Relay	Remote	DIN Rail	LV E5PW -100 1112 A	1, 2, 6, 8
146E-2104-4000	230 VAC	1K ohm	-73 to 600°C	Low Limit	Auto Reset	8A Relay	Integral	DIN Rail	LV E6RZ -073 0600 A	1, 6, 8
146E-2104-4000	230 VAC	1K ohm	-100 to 1112°F	Low Limit	Auto Reset	8A Relay	Integral	DIN Rail	LV E6PZ -100 1112 A	1, 6, 8
146E-2104-4N00	230 VAC	1K ohm	-73 to 600°C	Low Limit	Auto Reset	8A Relay	Remote	DIN Rail	LV E5RZ -073 0600 A	1, 2, 6, 8
146E-2104-4N00	230 VAC	1K ohm	-100 to 1112°F	Low Limit	Auto Reset	8A Relay	Remote	DIN Rail	LV E5PZ -100 1112 A	1, 2, 6, 8
146E-2104-4P00	230 VAC	1K ohm	-73 to 600°C	Low Limit	Auto Reset	8A Relay	Remote	DIN Rail	LV E5RZ -073 0600 A	1, 2, 6, 8
146E-2104-4P00	230 VAC	1K ohm	-100 to 1112°F	Low Limit	Auto Reset	8A Relay	Remote	DIN Rail	LV E5PZ -100 1112 A	1, 2, 6, 8
146E-2104-4S00	230 VAC	1K ohm	-73 to 600°C	Low Limit	Auto Reset	8A Relay	Remote	DIN Rail	LV E5RZ -073 0600 A	1, 2, 6, 8
146E-2104-4S00	230 VAC	1K ohm	-100 to 1112°F	Low Limit	Auto Reset	8A Relay	Remote	DIN Rail	LV E5PZ -100 1112 A	1, 2, 6, 8
146E-2105-1000	230 VAC	100 ohm DIN	0 to 80°C	High Limit	Manual Reset	8A Relay	Integral	DIN Rail	LV E6RU 0000 0080 A	6, 8

Series 146

Series 146	Line Voltage	Input	Temp Range	Control Mode	Action	Output	Set Point	Mounting	Retrofit control	See Notes Below
146E-2105-1000	230 VAC	100 ohm DIN	32 to 176°F	High Limit	Manual Reset	8A Relay	Integral	DIN Rail	LV E6PU 0032 0176 A	6, 8
146E-2105-1N00	230 VAC	100 ohm DIN	0 to 80°C	High Limit	Manual Reset	8A Relay	Remote	DIN Rail	LV E5RU 0000 0080 A	2, 6, 8
146E-2105-1N00	230 VAC	100 ohm DIN	32 to 176°F	High Limit	Manual Reset	8A Relay	Remote	DIN Rail	LV E5PU 0032 0176 A	2, 6, 8
146E-2105-1P00	230 VAC	100 ohm DIN	0 to 80°C	High Limit	Manual Reset	8A Relay	Remote	DIN Rail	LV E5RU 0000 0080 A	2, 6, 8
146E-2105-1P00	230 VAC	100 ohm DIN	32 to 176°F	High Limit	Manual Reset	8A Relay	Remote	DIN Rail	LV E5PU 0032 0176 A	2, 6, 8
146E-2105-1S00	230 VAC	100 ohm DIN	0 to 80°C	High Limit	Manual Reset	8A Relay	Remote	DIN Rail	LV E5RU 0000 0080 A	2, 6, 8
146E-2105-1S00	230 VAC	100 ohm DIN	32 to 176°F	High Limit	Manual Reset	8A Relay	Remote	DIN Rail	LV E5PU 0032 0176 A	2, 6, 8
146E-2105-2000	230 VAC	100 ohm DIN	0 to 80°C	Low Limit	Manual Reset	8A Relay	Integral	DIN Rail	LV E6RY 0000 0080 A	6, 8
146E-2105-2000	230 VAC	100 ohm DIN	32 to 176°F	Low Limit	Manual Reset	8A Relay	Integral	DIN Rail	LV E6PY 0032 0176 A	6, 8
146E-2105-2N00	230 VAC	100 ohm DIN	0 to 80°C	Low Limit	Manual Reset	8A Relay	Remote	DIN Rail	LV E5RY 0000 0080 A	2, 6, 8
146E-2105-2N00	230 VAC	100 ohm DIN	32 to 176°F	Low Limit	Manual Reset	8A Relay	Remote	DIN Rail	LV E5PY 0032 0176 A	2, 6, 8
146E-2105-2P00	230 VAC	100 ohm DIN	0 to 80°C	Low Limit	Manual Reset	8A Relay	Remote	DIN Rail	LV E5RY 0000 0080 A	2, 6, 8
146E-2105-2P00	230 VAC	100 ohm DIN	32 to 176°F	Low Limit	Manual Reset	8A Relay	Remote	DIN Rail	LV E5PY 0032 0176 A	2, 6, 8
146E-2105-2S00	230 VAC	100 ohm DIN	0 to 80°C	Low Limit	Manual Reset	8A Relay	Remote	DIN Rail	LV E5RY 0000 0080 A	2, 6, 8
146E-2105-2S00	230 VAC	100 ohm DIN	32 to 176°F	Low Limit	Manual Reset	8A Relay	Remote	DIN Rail	LV E5PY 0032 0176 A	2, 6, 8
146E-2105-3000	230 VAC	100 ohm DIN	0 to 80°C	High Limit	Auto Reset	8A Relay	Integral	DIN Rail	LV E6RW 0000 0080 A	6, 8
146E-2105-3000	230 VAC	100 ohm DIN	32 to 176°F	High Limit	Auto Reset	8A Relay	Integral	DIN Rail	LV E6PW 0032 0176 A	6, 8
146E-2105-3N00	230 VAC	100 ohm DIN	0 to 80°C	High Limit	Auto Reset	8A Relay	Remote	DIN Rail	LV E5RW 0000 0080 A	2, 6, 8
146E-2105-3N00	230 VAC	100 ohm DIN	32 to 176°F	High Limit	Auto Reset	8A Relay	Remote	DIN Rail	LV E5PW 0032 0176 A	2, 6, 8
146E-2105-3P00	230 VAC	100 ohm DIN	0 to 80°C	High Limit	Auto Reset	8A Relay	Remote	DIN Rail	LV E5RW 0000 0080 A	2, 6, 8
146E-2105-3P00	230 VAC	100 ohm DIN	32 to 176°F	High Limit	Auto Reset	8A Relay	Remote	DIN Rail	LV E5PW 0032 0176 A	2, 6, 8
146E-2105-3S00	230 VAC	100 ohm DIN	0 to 80°C	High Limit	Auto Reset	8A Relay	Remote	DIN Rail	LV E5RW 0000 0080 A	2, 6, 8
146E-2105-3S00	230 VAC	100 ohm DIN	32 to 176°F	High Limit	Auto Reset	8A Relay	Remote	DIN Rail	LV E5PW 0032 0176 A	2, 6, 8
146E-2105-4000	230 VAC	100 ohm DIN	0 to 80°C	Low Limit	Auto Reset	8A Relay	Integral	DIN Rail	LV E6RZ 0000 0080 A	6, 8
146E-2105-4000	230 VAC	100 ohm DIN	32 to 176°F	Low Limit	Auto Reset	8A Relay	Integral	DIN Rail	LV E6PZ 0032 0176 A	6, 8
146E-2105-4N00	230 VAC	100 ohm DIN	0 to 80°C	Low Limit	Auto Reset	8A Relay	Remote	DIN Rail	LV E5RZ 0000 0080 A	2, 6, 8
146E-2105-4N00	230 VAC	100 ohm DIN	32 to 176°F	Low Limit	Auto Reset	8A Relay	Remote	DIN Rail	LV E5PZ 0032 0176 A	2, 6, 8
146E-2105-4P00	230 VAC	100 ohm DIN	0 to 80°C	Low Limit	Auto Reset	8A Relay	Remote	DIN Rail	LV E5RZ 0000 0080 A	2, 6, 8
146E-2105-4P00	230 VAC	100 ohm DIN	32 to 176°F	Low Limit	Auto Reset	8A Relay	Remote	DIN Rail	LV E5PZ 0032 0176 A	2, 6, 8
146E-2105-4S00	230 VAC	100 ohm DIN	0 to 80°C	Low Limit	Auto Reset	8A Relay	Remote	DIN Rail	LV E5RZ 0000 0080 A	2, 6, 8
146E-2105-4S00	230 VAC	100 ohm DIN	32 to 176°F	Low Limit	Auto Reset	8A Relay	Remote	DIN Rail	LV E5PZ 0032 0176 A	2, 6, 8
146E-2106-1000	230 VAC	100 ohm DIN	200°C	High Limit	Manual Reset	8A Relay	Fixed	DIN Rail	LF E6RU 0200 AAAA A	6, 8
146E-2106-1000	230 VAC	100 ohm DIN	392°F	High Limit	Manual Reset	8A Relay	Fixed	DIN Rail	LF E6PU 0392 AAAA A	6, 8
146E-2106-2000	230 VAC	100 ohm DIN	200°C	Low Limit	Manual Reset	8A Relay	Fixed	DIN Rail	LF E6RY 0200 AAAA A	6, 8
146E-2106-2000	230 VAC	100 ohm DIN	392°F	Low Limit	Manual Reset	8A Relay	Fixed	DIN Rail	LF E6PY 0392 AAAA A	6, 8
146E-2106-3000	230 VAC	100 ohm DIN	200°C	High Limit	Auto Reset	8A Relay	Fixed	DIN Rail	LF E6RW 0200 AAAA A	6, 8
146E-2106-3000	230 VAC	100 ohm DIN	392°F	High Limit	Auto Reset	8A Relay	Fixed	DIN Rail	LF E6PW 0392 AAAA A	6, 8
146E-2106-4000	230 VAC	100 ohm DIN	200°C	Low Limit	Auto Reset	8A Relay	Fixed	DIN Rail	LF E6RZ 0200 AAAA A	6, 8
146E-2106-4000	230 VAC	100 ohm DIN	392°F	Low Limit	Auto Reset	8A Relay	Fixed	DIN Rail	LF E6PZ 0392 AAAA A	6, 8
146E-2107-1000	230 VAC	100 ohm DIN	350°C	High Limit	Manual Reset	8A Relay	Fixed	DIN Rail	LF E6RU 0350 AAAA A	6, 8
146E-2107-1000	230 VAC	100 ohm DIN	662°F	High Limit	Manual Reset	8A Relay	Fixed	DIN Rail	LF E6PU 0662 AAAA A	6, 8

Series 146

Series 146	Line Voltage	Input	Temp Range	Control Mode	Action	Output	Set Point	Mounting	Retrofit control	See Notes Below
146E-2107-2000	230 VAC	100 ohm DIN	350°C	Low Limit	Manual Reset	8A Relay	Fixed	DIN Rail	LF E6RY 0350 AAAA A	6, 8
146E-2107-2000	230 VAC	100 ohm DIN	662°F	Low Limit	Manual Reset	8A Relay	Fixed	DIN Rail	LF E6PY 0662 AAAA A	6, 8
146E-2107-3000	230 VAC	100 ohm DIN	350°C	High Limit	Auto Reset	8A Relay	Fixed	DIN Rail	LF E6RW 0350 AAAA A	6, 8
146E-2107-3000	230 VAC	100 ohm DIN	662°F	High Limit	Auto Reset	8A Relay	Fixed	DIN Rail	LF E6PW 0662 AAAA A	6, 8
146E-2107-4000	230 VAC	100 ohm DIN	350°C	Low Limit	Auto Reset	8A Relay	Fixed	DIN Rail	LF E6RZ 0350 AAAA A	6, 8
146E-2107-4000	230 VAC	100 ohm DIN	662°F	Low Limit	Auto Reset	8A Relay	Fixed	DIN Rail	LF E6PZ 0662 AAAA A	6, 8
146E-2108-1000	230 VAC	100 ohm DIN	110°C	High Limit	Manual Reset	8A Relay	Fixed	DIN Rail	LF E6RU 0110 AAAA A	6, 8
146E-2108-1000	230 VAC	100 ohm DIN	230°F	High Limit	Manual Reset	8A Relay	Fixed	DIN Rail	LF E6PU 0230 AAAA A	6, 8
146E-2108-2000	230 VAC	100 ohm DIN	110°C	Low Limit	Manual Reset	8A Relay	Fixed	DIN Rail	LF E6RY 0110 AAAA A	6, 8
146E-2108-2000	230 VAC	100 ohm DIN	230°F	Low Limit	Manual Reset	8A Relay	Fixed	DIN Rail	LF E6PY 0230 AAAA A	6, 8
146E-2108-3000	230 VAC	100 ohm DIN	110°C	High Limit	Auto Reset	8A Relay	Fixed	DIN Rail	LF E6RW 0110 AAAA A	6, 8
146E-2108-3000	230 VAC	100 ohm DIN	230°F	High Limit	Auto Reset	8A Relay	Fixed	DIN Rail	LF E6PW 0230 AAAA A	6, 8
146E-2108-4000	230 VAC	100 ohm DIN	110°C	Low Limit	Auto Reset	8A Relay	Fixed	DIN Rail	LF E6RZ 0110 AAAA A	6, 8
146E-2108-4000	230 VAC	100 ohm DIN	230°F	Low Limit	Auto Reset	8A Relay	Fixed	DIN Rail	LF E6PZ 0230 AAAA A	6, 8
146E-2109-1000	230 VAC	100 ohm DIN	150°C	High Limit	Manual Reset	8A Relay	Fixed	DIN Rail	LF E6RU 0150 AAAA A	6, 8
146E-2109-1000	230 VAC	100 ohm DIN	302°F	High Limit	Manual Reset	8A Relay	Fixed	DIN Rail	LF E6PU 0302 AAAA A	6, 8
146E-2109-2000	230 VAC	100 ohm DIN	150°C	Low Limit	Manual Reset	8A Relay	Fixed	DIN Rail	LF E6RY 0150 AAAA A	6, 8
146E-2109-2000	230 VAC	100 ohm DIN	302°F	Low Limit	Manual Reset	8A Relay	Fixed	DIN Rail	LF E6PY 0302 AAAA A	6, 8
146E-2109-3000	230 VAC	100 ohm DIN	150°C	High Limit	Auto Reset	8A Relay	Fixed	DIN Rail	LF E6RW 0150 AAAA A	6, 8
146E-2109-3000	230 VAC	100 ohm DIN	302°F	High Limit	Auto Reset	8A Relay	Fixed	DIN Rail	LF E6PW 0302 AAAA A	6, 8
146E-2109-4000	230 VAC	100 ohm DIN	150°C	Low Limit	Auto Reset	8A Relay	Fixed	DIN Rail	LF E6RZ 0150 AAAA A	6, 8
146E-2109-4000	230 VAC	100 ohm DIN	302°F	Low Limit	Auto Reset	8A Relay	Fixed	DIN Rail	LF E6PZ 0302 AAAA A	6, 8
146E-2110-1000	230 VAC	100 ohm DIN	120°C	High Limit	Manual Reset	8A Relay	Fixed	DIN Rail	LF E6RU 0120 AAAA A	6, 8
146E-2110-1000	230 VAC	100 ohm DIN	248°F	High Limit	Manual Reset	8A Relay	Fixed	DIN Rail	LF E6PU 0248 AAAA A	6, 8
146E-2110-2000	230 VAC	100 ohm DIN	120°C	Low Limit	Manual Reset	8A Relay	Fixed	DIN Rail	LF E6RY 0120 AAAA A	6, 8
146E-2110-2000	230 VAC	100 ohm DIN	248°F	Low Limit	Manual Reset	8A Relay	Fixed	DIN Rail	LF E6PY 0248 AAAA A	6, 8
146E-2110-3000	230 VAC	100 ohm DIN	120°C	High Limit	Auto Reset	8A Relay	Fixed	DIN Rail	LF E6RW 0120 AAAA A	6, 8
146E-2110-3000	230 VAC	100 ohm DIN	248°F	High Limit	Auto Reset	8A Relay	Fixed	DIN Rail	LF E6PW 0248 AAAA A	6, 8
146E-2110-4000	230 VAC	100 ohm DIN	120°C	Low Limit	Auto Reset	8A Relay	Fixed	DIN Rail	LF E6RZ 0120 AAAA A	6, 8
146E-2110-4000	230 VAC	100 ohm DIN	248°F	Low Limit	Auto Reset	8A Relay	Fixed	DIN Rail	LF E6PZ 0248 AAAA A	6, 8
146E-2111-1000	230 VAC	100 ohm DIN	200°C	High Limit	Manual Reset	8A Relay	Fixed	DIN Rail	LF E6RU 0200 AAAA A	6, 8
146E-2111-1000	230 VAC	100 ohm DIN	392°F	High Limit	Manual Reset	8A Relay	Fixed	DIN Rail	LF E6PU 0392 AAAA A	6, 8
146E-2111-2000	230 VAC	100 ohm DIN	200°C	Low Limit	Manual Reset	8A Relay	Fixed	DIN Rail	LF E6RY 0200 AAAA A	6, 8
146E-2111-2000	230 VAC	100 ohm DIN	392°F	Low Limit	Manual Reset	8A Relay	Fixed	DIN Rail	LF E6PY 0392 AAAA A	6, 8
146E-2111-3000	230 VAC	100 ohm DIN	200°C	High Limit	Auto Reset	8A Relay	Fixed	DIN Rail	LF E6RW 0200 AAAA A	6, 8
146E-2111-3000	230 VAC	100 ohm DIN	392°F	High Limit	Auto Reset	8A Relay	Fixed	DIN Rail	LF E6PW 0392 AAAA A	6, 8
146E-2111-4000	230 VAC	100 ohm DIN	200°C	Low Limit	Auto Reset	8A Relay	Fixed	DIN Rail	LF E6RZ 0200 AAAA A	6, 8
146E-2111-4000	230 VAC	100 ohm DIN	392°F	Low Limit	Auto Reset	8A Relay	Fixed	DIN Rail	LF E6PZ 0392 AAAA A	6, 8
146E-2112-1000	230 VAC	100 ohm DIN	250°C	High Limit	Manual Reset	8A Relay	Fixed	DIN Rail	LF E6RU 0250 AAAA A	6, 8
146E-2112-1000	230 VAC	100 ohm DIN	482°F	High Limit	Manual Reset	8A Relay	Fixed	DIN Rail	LF E6PU 0482 AAAA A	6, 8
146E-2112-2000	230 VAC	100 ohm DIN	250°C	Low Limit	Manual Reset	8A Relay	Fixed	DIN Rail	LF E6RY 0250 AAAA A	6, 8

Series 146

Series 146	Line Voltage	Input	Temp Range	Control Mode	Action	Output	Set Point	Mounting	Retrofit control	See Notes Below
146E-2112-2000	230 VAC	100 ohm DIN	482°F	Low Limit	Manual Reset	8A Relay	Fixed	DIN Rail	LF E6PY 0482 AAAA A	6, 8
146E-2112-3000	230 VAC	100 ohm DIN	250°C	High Limit	Auto Reset	8A Relay	Fixed	DIN Rail	LF E6RW 0250 AAAA A	6, 8
146E-2112-3000	230 VAC	100 ohm DIN	482°F	High Limit	Auto Reset	8A Relay	Fixed	DIN Rail	LF E6PW 0482 AAAA A	6, 8
146E-2112-4000	230 VAC	100 ohm DIN	250°C	Low Limit	Auto Reset	8A Relay	Fixed	DIN Rail	LF E6RZ 0250 AAAA A	6, 8
146E-2112-4000	230 VAC	100 ohm DIN	482°F	Low Limit	Auto Reset	8A Relay	Fixed	DIN Rail	LF E6PZ 0482 AAAA A	6, 8
146E-2601-1000	230 VAC	J t/c	32 to 600°F	High Limit	Manual Reset	8A Relay	Integral	DIN Rail	LV E6HU 0032 0600 A	6, 8
146E-2601-1000	230 VAC	J t/c	0 to 315°C	High Limit	Manual Reset	8A Relay	Integral	DIN Rail	LV E6JU 0000 0315 A	6, 8
146E-2601-1N00	230 VAC	J t/c	32 to 600°F	High Limit	Manual Reset	8A Relay	Remote	DIN Rail	LV E5HU 0032 0600 A	2, 6, 8
146E-2601-1N00	230 VAC	J t/c	0 to 315°C	High Limit	Manual Reset	8A Relay	Remote	DIN Rail	LV E5JU 0000 0315 A	2, 6, 8
146E-2601-1P00	230 VAC	J t/c	32 to 600°F	High Limit	Manual Reset	8A Relay	Remote	DIN Rail	LV E5HU 0032 0600 A	2, 6, 8
146E-2601-1P00	230 VAC	J t/c	0 to 315°C	High Limit	Manual Reset	8A Relay	Remote	DIN Rail	LV E5JU 0000 0315 A	2, 6, 8
146E-2601-1S00	230 VAC	J t/c	32 to 600°F	High Limit	Manual Reset	8A Relay	Remote	DIN Rail	LV E5HU 0032 0600 A	2, 6, 8
146E-2601-1S00	230 VAC	J t/c	0 to 315°C	High Limit	Manual Reset	8A Relay	Remote	DIN Rail	LV E5JU 0000 0315 A	2, 6, 8
146E-2601-2000	230 VAC	J t/c	32 to 600°F	Low Limit	Manual Reset	8A Relay	Integral	DIN Rail	LV E6HY 0032 0600 A	6, 8
146E-2601-2000	230 VAC	J t/c	0 to 315°C	Low Limit	Manual Reset	8A Relay	Integral	DIN Rail	LV E6JY 0000 0315 A	6, 8
146E-2601-2N00	230 VAC	J t/c	32 to 600°F	Low Limit	Manual Reset	8A Relay	Remote	DIN Rail	LV E5HY 0032 0600 A	2, 6, 8
146E-2601-2N00	230 VAC	J t/c	0 to 315°C	Low Limit	Manual Reset	8A Relay	Remote	DIN Rail	LV E5JY 0000 0315 A	2, 6, 8
146E-2601-2P00	230 VAC	J t/c	32 to 600°F	Low Limit	Manual Reset	8A Relay	Remote	DIN Rail	LV E5HY 0032 0600 A	2, 6, 8
146E-2601-2P00	230 VAC	J t/c	0 to 315°C	Low Limit	Manual Reset	8A Relay	Remote	DIN Rail	LV E5JY 0000 0315 A	2, 6, 8
146E-2601-2S00	230 VAC	J t/c	32 to 600°F	Low Limit	Manual Reset	8A Relay	Remote	DIN Rail	LV E5HY 0032 0600 A	2, 6, 8
146E-2601-2S00	230 VAC	J t/c	0 to 315°C	Low Limit	Manual Reset	8A Relay	Remote	DIN Rail	LV E5JY 0000 0315 A	2, 6, 8
146E-2601-3000	230 VAC	J t/c	32 to 600°F	High Limit	Auto Reset	8A Relay	Integral	DIN Rail	LV E6HW 0032 0600 A	6, 8
146E-2601-3000	230 VAC	J t/c	0 to 315°C	High Limit	Auto Reset	8A Relay	Integral	DIN Rail	LV E6JW 0000 0315 A	6, 8
146E-2601-3N00	230 VAC	J t/c	32 to 600°F	High Limit	Auto Reset	8A Relay	Remote	DIN Rail	LV E5HW 0032 0600 A	2, 6, 8
146E-2601-3N00	230 VAC	J t/c	0 to 315°C	High Limit	Auto Reset	8A Relay	Remote	DIN Rail	LV E5JW 0000 0315 A	2, 6, 8
146E-2601-3P00	230 VAC	J t/c	32 to 600°F	High Limit	Auto Reset	8A Relay	Remote	DIN Rail	LV E5HW 0032 0600 A	2, 6, 8
146E-2601-3P00	230 VAC	J t/c	0 to 315°C	High Limit	Auto Reset	8A Relay	Remote	DIN Rail	LV E5JW 0000 0315 A	2, 6, 8
146E-2601-3S00	230 VAC	J t/c	32 to 600°F	High Limit	Auto Reset	8A Relay	Remote	DIN Rail	LV E5HW 0032 0600 A	2, 6, 8
146E-2601-3S00	230 VAC	J t/c	0 to 315°C	High Limit	Auto Reset	8A Relay	Remote	DIN Rail	LV E5JW 0000 0315 A	2, 6, 8
146E-2601-4000	230 VAC	J t/c	32 to 600°F	Low Limit	Auto Reset	8A Relay	Integral	DIN Rail	LV E6HZ 0032 0600 A	6, 8
146E-2601-4000	230 VAC	J t/c	0 to 315°C	Low Limit	Auto Reset	8A Relay	Integral	DIN Rail	LV E6JZ 0000 0315 A	6, 8
146E-2601-4N00	230 VAC	J t/c	32 to 600°F	Low Limit	Auto Reset	8A Relay	Remote	DIN Rail	LV E5HZ 0032 0600 A	2, 6, 8
146E-2601-4N00	230 VAC	J t/c	0 to 315°C	Low Limit	Auto Reset	8A Relay	Remote	DIN Rail	LV E5JZ 0000 0315 A	2, 6, 8
146E-2601-4P00	230 VAC	J t/c	32 to 600°F	Low Limit	Auto Reset	8A Relay	Remote	DIN Rail	LV E5HZ 0032 0600 A	2, 6, 8
146E-2601-4P00	230 VAC	J t/c	0 to 315°C	Low Limit	Auto Reset	8A Relay	Remote	DIN Rail	LV E5JZ 0000 0315 A	2, 6, 8
146E-2601-4S00	230 VAC	J t/c	32 to 600°F	Low Limit	Auto Reset	8A Relay	Remote	DIN Rail	LV E5HZ 0032 0600 A	2, 6, 8
146E-2601-4S00	230 VAC	J t/c	0 to 315°C	Low Limit	Auto Reset	8A Relay	Remote	DIN Rail	LV E5JZ 0000 0315 A	2, 6, 8
146E-2602-1000	230 VAC	J t/c	32 to 1382°F	High Limit	Manual Reset	8A Relay	Integral	DIN Rail	LV E6HU 0032 1382 A	6, 8
146E-2602-1000	230 VAC	J t/c	0 to 750°C	High Limit	Manual Reset	8A Relay	Integral	DIN Rail	LV E6JU 0000 0750 A	6, 8
146E-2602-1N00	230 VAC	J t/c	32 to 1382°F	High Limit	Manual Reset	8A Relay	Remote	DIN Rail	LV E5HU 0032 1382 A	2, 6, 8
146E-2602-1N00	230 VAC	J t/c	0 to 750°C	High Limit	Manual Reset	8A Relay	Remote	DIN Rail	LV E5JU 0000 0750 A	2, 6, 8

Series 146

Series 146	Line Voltage	Input	Temp Range	Control Mode	Action	Output	Set Point	Mounting	Retrofit control	See Notes Below
146E-2602-1P00	230 VAC	J t/c	32 to 1382°F	High Limit	Manual Reset	8A Relay	Remote	DIN Rail	LV E5HU 0032 1382 A	2, 6, 8
146E-2602-1P00	230 VAC	J t/c	0 to 750°C	High Limit	Manual Reset	8A Relay	Remote	DIN Rail	LV E5JU 0000 0750 A	2, 6, 8
146E-2602-1S00	230 VAC	J t/c	32 to 1382°F	High Limit	Manual Reset	8A Relay	Remote	DIN Rail	LV E5HU 0032 1382 A	2, 6, 8
146E-2602-1S00	230 VAC	J t/c	0 to 750°C	High Limit	Manual Reset	8A Relay	Remote	DIN Rail	LV E5JU 0000 0750 A	2, 6, 8
146E-2602-2000	230 VAC	J t/c	32 to 1382°F	Low Limit	Manual Reset	8A Relay	Integral	DIN Rail	LV E6HY 0032 1382 A	6, 8
146E-2602-2000	230 VAC	J t/c	0 to 750°C	Low Limit	Manual Reset	8A Relay	Integral	DIN Rail	LV E6JY 0000 0750 A	6, 8
146E-2602-2N00	230 VAC	J t/c	32 to 1382°F	Low Limit	Manual Reset	8A Relay	Remote	DIN Rail	LV E5HY 0032 1382 A	2, 6, 8
146E-2602-2N00	230 VAC	J t/c	0 to 750°C	Low Limit	Manual Reset	8A Relay	Remote	DIN Rail	LV E5JY 0000 0750 A	2, 6, 8
146E-2602-2P00	230 VAC	J t/c	32 to 1382°F	Low Limit	Manual Reset	8A Relay	Remote	DIN Rail	LV E5HY 0032 1382 A	2, 6, 8
146E-2602-2P00	230 VAC	J t/c	0 to 750°C	Low Limit	Manual Reset	8A Relay	Remote	DIN Rail	LV E5JY 0000 0750 A	2, 6, 8
146E-2602-2S00	230 VAC	J t/c	32 to 1382°F	Low Limit	Manual Reset	8A Relay	Remote	DIN Rail	LV E5HY 0032 1382 A	2, 6, 8
146E-2602-2S00	230 VAC	J t/c	0 to 750°C	Low Limit	Manual Reset	8A Relay	Remote	DIN Rail	LV E5JY 0000 0750 A	2, 6, 8
146E-2602-3000	230 VAC	J t/c	32 to 1382°F	High Limit	Auto Reset	8A Relay	Integral	DIN Rail	LV E6HW 0032 1382 A	6, 8
146E-2602-3000	230 VAC	J t/c	0 to 750°C	High Limit	Auto Reset	8A Relay	Integral	DIN Rail	LV E6JW 0000 0750 A	6, 8
146E-2602-3N00	230 VAC	J t/c	32 to 1382°F	High Limit	Auto Reset	8A Relay	Remote	DIN Rail	LV E5HW 0032 1382 A	2, 6, 8
146E-2602-3N00	230 VAC	J t/c	0 to 750°C	High Limit	Auto Reset	8A Relay	Remote	DIN Rail	LV E5JW 0000 0750 A	2, 6, 8
146E-2602-3P00	230 VAC	J t/c	32 to 1382°F	High Limit	Auto Reset	8A Relay	Remote	DIN Rail	LV E5HW 0032 1382 A	2, 6, 8
146E-2602-3P00	230 VAC	J t/c	0 to 750°C	High Limit	Auto Reset	8A Relay	Remote	DIN Rail	LV E5JW 0000 0750 A	2, 6, 8
146E-2602-3S00	230 VAC	J t/c	32 to 1382°F	High Limit	Auto Reset	8A Relay	Remote	DIN Rail	LV E5HW 0032 1382 A	2, 6, 8
146E-2602-3S00	230 VAC	J t/c	0 to 750°C	High Limit	Auto Reset	8A Relay	Remote	DIN Rail	LV E5JW 0000 0750 A	2, 6, 8
146E-2602-4000	230 VAC	J t/c	32 to 1382°F	Low Limit	Auto Reset	8A Relay	Integral	DIN Rail	LV E6HZ 0032 1382 A	6, 8
146E-2602-4000	230 VAC	J t/c	0 to 750°C	Low Limit	Auto Reset	8A Relay	Integral	DIN Rail	LV E6JZ 0000 0750 A	6, 8
146E-2602-4N00	230 VAC	J t/c	32 to 1382°F	Low Limit	Auto Reset	8A Relay	Remote	DIN Rail	LV E5HZ 0032 1382 A	2, 6, 8
146E-2602-4N00	230 VAC	J t/c	0 to 750°C	Low Limit	Auto Reset	8A Relay	Remote	DIN Rail	LV E5JZ 0000 0750 A	2, 6, 8
146E-2602-4P00	230 VAC	J t/c	32 to 1382°F	Low Limit	Auto Reset	8A Relay	Remote	DIN Rail	LV E5HZ 0032 1382 A	2, 6, 8
146E-2602-4P00	230 VAC	J t/c	0 to 750°C	Low Limit	Auto Reset	8A Relay	Remote	DIN Rail	LV E5JZ 0000 0750 A	2, 6, 8
146E-2602-4S00	230 VAC	J t/c	32 to 1382°F	Low Limit	Auto Reset	8A Relay	Remote	DIN Rail	LV E5HZ 0032 1382 A	2, 6, 8
146E-2602-4S00	230 VAC	J t/c	0 to 750°C	Low Limit	Auto Reset	8A Relay	Remote	DIN Rail	LV E5JZ 0000 0750 A	2, 6, 8
146E-2603-1000	230 VAC	K t/c	32 to 2282°F	High Limit	Manual Reset	8A Relay	Integral	DIN Rail	LV E6KU 0032 2282 A	6, 8
146E-2603-1000	230 VAC	K t/c	0 to 1250°C	High Limit	Manual Reset	8A Relay	Integral	DIN Rail	LV E6LU 0000 1250 A	6, 8
146E-2603-1N00	230 VAC	K t/c	32 to 2282°F	High Limit	Manual Reset	8A Relay	Remote	DIN Rail	LV E5KU 0032 2282 A	2, 6, 8
146E-2603-1N00	230 VAC	K t/c	0 to 1250°C	High Limit	Manual Reset	8A Relay	Remote	DIN Rail	LV E5LU 0000 1250 A	2, 6, 8
146E-2603-1P00	230 VAC	K t/c	32 to 2282°F	High Limit	Manual Reset	8A Relay	Remote	DIN Rail	LV E5KU 0032 2282 A	2, 6, 8
146E-2603-1P00	230 VAC	K t/c	0 to 1250°C	High Limit	Manual Reset	8A Relay	Remote	DIN Rail	LV E5LU 0000 1250 A	2, 6, 8
146E-2603-1S00	230 VAC	K t/c	32 to 2282°F	High Limit	Manual Reset	8A Relay	Remote	DIN Rail	LV E5KU 0032 2282 A	2, 6, 8
146E-2603-1S00	230 VAC	K t/c	0 to 1250°C	High Limit	Manual Reset	8A Relay	Remote	DIN Rail	LV E5LU 0000 1250 A	2, 6, 8
146E-2603-2000	230 VAC	K t/c	32 to 2282°F	Low Limit	Manual Reset	8A Relay	Integral	DIN Rail	LV E6KY 0032 2282 A	6, 8
146E-2603-2000	230 VAC	K t/c	0 to 1250°C	Low Limit	Manual Reset	8A Relay	Integral	DIN Rail	LV E6LY 0000 1250 A	6, 8
146E-2603-2N00	230 VAC	K t/c	32 to 2282°F	Low Limit	Manual Reset	8A Relay	Remote	DIN Rail	LV E5KY 0032 2282 A	2, 6, 8
146E-2603-2N00	230 VAC	K t/c	0 to 1250°C	Low Limit	Manual Reset	8A Relay	Remote	DIN Rail	LV E5LY 0000 1250 A	2, 6, 8
146E-2603-2P00	230 VAC	K t/c	32 to 2282°F	Low Limit	Manual Reset	8A Relay	Remote	DIN Rail	LV E5KY 0032 2282 A	2, 6, 8

Series 146

Series 146	Line Voltage	Input	Temp Range	Control Mode	Action	Output	Set Point	Mounting	Retrofit control	See Notes Below
146E-2603-2P00	230 VAC	K t/c	0 to 1250°C	Low Limit	Manual Reset	8A Relay	Remote	DIN Rail	LV E5LY 0000 1250 A	2, 6, 8
146E-2603-2S00	230 VAC	K t/c	32 to 2282°F	Low Limit	Manual Reset	8A Relay	Remote	DIN Rail	LV E5KY 0032 2282 A	2, 6, 8
146E-2603-2S00	230 VAC	K t/c	0 to 1250°C	Low Limit	Manual Reset	8A Relay	Remote	DIN Rail	LV E5LY 0000 1250 A	2, 6, 8
146E-2603-3000	230 VAC	K t/c	32 to 2282°F	High Limit	Auto Reset	8A Relay	Integral	DIN Rail	LV E6KW 0032 2282 A	6, 8
146E-2603-3000	230 VAC	K t/c	0 to 1250°C	High Limit	Auto Reset	8A Relay	Integral	DIN Rail	LV E6LW 0000 1250 A	6, 8
146E-2603-3N00	230 VAC	K t/c	32 to 2282°F	High Limit	Auto Reset	8A Relay	Remote	DIN Rail	LV E5KW 0032 2282 A	2, 6, 8
146E-2603-3N00	230 VAC	K t/c	0 to 1250°C	High Limit	Auto Reset	8A Relay	Remote	DIN Rail	LV E5LW 0000 1250 A	2, 6, 8
146E-2603-3P00	230 VAC	K t/c	32 to 2282°F	High Limit	Auto Reset	8A Relay	Remote	DIN Rail	LV E5KW 0032 2282 A	2, 6, 8
146E-2603-3P00	230 VAC	K t/c	0 to 1250°C	High Limit	Auto Reset	8A Relay	Remote	DIN Rail	LV E5LW 0000 1250 A	2, 6, 8
146E-2603-3S00	230 VAC	K t/c	32 to 2282°F	High Limit	Auto Reset	8A Relay	Remote	DIN Rail	LV E5KW 0032 2282 A	2, 6, 8
146E-2603-3S00	230 VAC	K t/c	0 to 1250°C	High Limit	Auto Reset	8A Relay	Remote	DIN Rail	LV E5LW 0000 1250 A	2, 6, 8
146E-2603-4000	230 VAC	K t/c	32 to 2282°F	Low Limit	Auto Reset	8A Relay	Integral	DIN Rail	LV E6KZ 0032 2282 A	6, 8
146E-2603-4000	230 VAC	K t/c	0 to 1250°C	Low Limit	Auto Reset	8A Relay	Integral	DIN Rail	LV E6LZ 0000 1250 A	6, 8
146E-2603-4N00	230 VAC	K t/c	32 to 2282°F	Low Limit	Auto Reset	8A Relay	Remote	DIN Rail	LV E5KZ 0032 2282 A	2, 6, 8
146E-2603-4N00	230 VAC	K t/c	0 to 1250°C	Low Limit	Auto Reset	8A Relay	Remote	DIN Rail	LV E5LZ 0000 1250 A	2, 6, 8
146E-2603-4P00	230 VAC	K t/c	32 to 2282°F	Low Limit	Auto Reset	8A Relay	Remote	DIN Rail	LV E5KZ 0032 2282 A	2, 6, 8
146E-2603-4P00	230 VAC	K t/c	0 to 1250°C	Low Limit	Auto Reset	8A Relay	Remote	DIN Rail	LV E5LZ 0000 1250 A	2, 6, 8
146E-2603-4S00	230 VAC	K t/c	32 to 2282°F	Low Limit	Auto Reset	8A Relay	Remote	DIN Rail	LV E5KZ 0032 2282 A	2, 6, 8
146E-2603-4S00	230 VAC	K t/c	0 to 1250°C	Low Limit	Auto Reset	8A Relay	Remote	DIN Rail	LV E5LZ 0000 1250 A	2, 6, 8
146E-2611-1000	230 VAC	K t/c	32 to 1112°F	High Limit	Manual Reset	8A Relay	Integral	DIN Rail	LV E6KU 0032 1112 A	6, 8
146E-2611-1000	230 VAC	K t/c	0 to 600°C	High Limit	Manual Reset	8A Relay	Integral	DIN Rail	LV E6LU 0000 0600 A	6, 8
146E-2611-1N00	230 VAC	K t/c	32 to 1112°F	High Limit	Manual Reset	8A Relay	Remote	DIN Rail	LV E5KU 0032 1112 A	2, 6, 8
146E-2611-1N00	230 VAC	K t/c	0 to 600°C	High Limit	Manual Reset	8A Relay	Remote	DIN Rail	LV E5LU 0000 0600 A	2, 6, 8
146E-2611-1P00	230 VAC	K t/c	32 to 1112°F	High Limit	Manual Reset	8A Relay	Remote	DIN Rail	LV E5KU 0032 1112 A	2, 6, 8
146E-2611-1P00	230 VAC	K t/c	0 to 600°C	High Limit	Manual Reset	8A Relay	Remote	DIN Rail	LV E5LU 0000 0600 A	2, 6, 8
146E-2611-1S00	230 VAC	K t/c	32 to 1112°F	High Limit	Manual Reset	8A Relay	Remote	DIN Rail	LV E5KU 0032 1112 A	2, 6, 8
146E-2611-1S00	230 VAC	K t/c	0 to 600°C	High Limit	Manual Reset	8A Relay	Remote	DIN Rail	LV E5LU 0000 0600 A	2, 6, 8
146E-2611-2000	230 VAC	K t/c	32 to 1112°F	Low Limit	Manual Reset	8A Relay	Integral	DIN Rail	LV E6KY 0032 1112 A	6, 8
146E-2611-2000	230 VAC	K t/c	0 to 600°C	Low Limit	Manual Reset	8A Relay	Integral	DIN Rail	LV E6LY 0000 0600 A	6, 8
146E-2611-2N00	230 VAC	K t/c	32 to 1112°F	Low Limit	Manual Reset	8A Relay	Remote	DIN Rail	LV E5KY 0032 1112 A	2, 6, 8
146E-2611-2N00	230 VAC	K t/c	0 to 600°C	Low Limit	Manual Reset	8A Relay	Remote	DIN Rail	LV E5LY 0000 0600 A	2, 6, 8
146E-2611-2P00	230 VAC	K t/c	32 to 1112°F	Low Limit	Manual Reset	8A Relay	Remote	DIN Rail	LV E5KY 0032 1112 A	2, 6, 8
146E-2611-2P00	230 VAC	K t/c	0 to 600°C	Low Limit	Manual Reset	8A Relay	Remote	DIN Rail	LV E5LY 0000 0600 A	2, 6, 8
146E-2611-2S00	230 VAC	K t/c	32 to 1112°F	Low Limit	Manual Reset	8A Relay	Remote	DIN Rail	LV E5KY 0032 1112 A	2, 6, 8
146E-2611-2S00	230 VAC	K t/c	0 to 600°C	Low Limit	Manual Reset	8A Relay	Remote	DIN Rail	LV E5LY 0000 0600 A	2, 6, 8
146E-2611-3000	230 VAC	K t/c	32 to 1112°F	High Limit	Auto Reset	8A Relay	Integral	DIN Rail	LV E6KW 0032 1112 A	6, 8
146E-2611-3000	230 VAC	K t/c	0 to 600°C	High Limit	Auto Reset	8A Relay	Integral	DIN Rail	LV E6LW 0000 0600 A	6, 8
146E-2611-3N00	230 VAC	K t/c	32 to 1112°F	High Limit	Auto Reset	8A Relay	Remote	DIN Rail	LV E5KW 0032 1112 A	2, 6, 8
146E-2611-3N00	230 VAC	K t/c	0 to 600°C	High Limit	Auto Reset	8A Relay	Remote	DIN Rail	LV E5LW 0000 0600 A	2, 6, 8
146E-2611-3P00	230 VAC	K t/c	32 to 1112°F	High Limit	Auto Reset	8A Relay	Remote	DIN Rail	LV E5KW 0032 1112 A	2, 6, 8
146E-2611-3P00	230 VAC	K t/c	0 to 600°C	High Limit	Auto Reset	8A Relay	Remote	DIN Rail	LV E5LW 0000 0600 A	2, 6, 8

Series 146

Series 146	Line Voltage	Input	Temp Range	Control Mode	Action	Output	Set Point	Mounting	Retrofit control	See Notes Below
146E-2611-3S00	230 VAC	K t/c	32 to 1112°F	High Limit	Auto Reset	8A Relay	Remote	DIN Rail	LV E5KW 0032 1112 A	2, 6, 8
146E-2611-3S00	230 VAC	K t/c	0 to 600°C	High Limit	Auto Reset	8A Relay	Remote	DIN Rail	LV E5LW 0000 0600 A	2, 6, 8
146E-2611-4000	230 VAC	K t/c	32 to 1112°F	Low Limit	Auto Reset	8A Relay	Integral	DIN Rail	LV E6KZ 0032 1112 A	6, 8
146E-2611-4000	230 VAC	K t/c	0 to 600°C	Low Limit	Auto Reset	8A Relay	Integral	DIN Rail	LV E6LZ 0000 0600 A	6, 8
146E-2611-4N00	230 VAC	K t/c	32 to 1112°F	Low Limit	Auto Reset	8A Relay	Remote	DIN Rail	LV E5KZ 0032 1112 A	2, 6, 8
146E-2611-4N00	230 VAC	K t/c	0 to 600°C	Low Limit	Auto Reset	8A Relay	Remote	DIN Rail	LV E5LZ 0000 0600 A	2, 6, 8
146E-2611-4P00	230 VAC	K t/c	32 to 1112°F	Low Limit	Auto Reset	8A Relay	Remote	DIN Rail	LV E5KZ 0032 1112 A	2, 6, 8
146E-2611-4P00	230 VAC	K t/c	0 to 600°C	Low Limit	Auto Reset	8A Relay	Remote	DIN Rail	LV E5LZ 0000 0600 A	2, 6, 8
146E-2611-4S00	230 VAC	K t/c	32 to 1112°F	Low Limit	Auto Reset	8A Relay	Remote	DIN Rail	LV E5KZ 0032 1112 A	2, 6, 8
146E-2611-4S00	230 VAC	K t/c	0 to 600°C	Low Limit	Auto Reset	8A Relay	Remote	DIN Rail	LV E5LZ 0000 0600 A	2, 6, 8
146E-2615-1000	230 VAC	J t/c	315°C	High Limit	Manual Reset	8A Relay	Fixed	DIN Rail	LF E6HU 0315 AAAA A	6, 8
146E-2615-1000	230 VAC	J t/c	600°F	High Limit	Manual Reset	8A Relay	Fixed	DIN Rail	LF E6HU 0600 AAAA A	6, 8
146E-2615-2000	230 VAC	J t/c	600°F	Low Limit	Manual Reset	8A Relay	Fixed	DIN Rail	LF E6HY 0600 AAAA A	6, 8
146E-2615-2000	230 VAC	J t/c	315°C	Low Limit	Manual Reset	8A Relay	Fixed	DIN Rail	LF E6HY0315 AAAA A	6, 8
146E-2615-3000	230 VAC	J t/c	315°C	High Limit	Auto Reset	8A Relay	Fixed	DIN Rail	LF E6HUW0315 AAAA A	6, 8
146E-2615-3000	230 VAC	J t/c	600°F	High Limit	Auto Reset	8A Relay	Fixed	DIN Rail	LF E6HW 0600 AAAA A	6, 8
146E-2615-4000	230 VAC	J t/c	600°F	Low Limit	Auto Reset	8A Relay	Fixed	DIN Rail	LF E6HZ 0600 AAAA A	6, 8
146E-2615-4000	230 VAC	J t/c	315°C	Low Limit	Auto Reset	8A Relay	Fixed	DIN Rail	LF E6HZ0315 AAAA A	6, 8
146E-2618-1000	230 VAC	J t/c	0 to 200°F	High Limit	Manual Reset	8A Relay	Integral	DIN Rail	LV E6HU 0000 0200 A	6, 8
146E-2618-1000	230 VAC	J t/c	-17 to 93°C	High Limit	Manual Reset	8A Relay	Integral	DIN Rail	LV E6JU -017 0093 A	6, 8
146E-2618-1N00	230 VAC	J t/c	0 to 200°F	High Limit	Manual Reset	8A Relay	Remote	DIN Rail	LV E5HU 0000 0200 A	2, 6, 8
146E-2618-1N00	230 VAC	J t/c	-17 to 93°C	High Limit	Manual Reset	8A Relay	Remote	DIN Rail	LV E5JU -017 0093 A	2, 6, 8
146E-2618-1P00	230 VAC	J t/c	0 to 200°F	High Limit	Manual Reset	8A Relay	Remote	DIN Rail	LV E5HU 0000 0200 A	2, 6, 8
146E-2618-1P00	230 VAC	J t/c	-17 to 93°C	High Limit	Manual Reset	8A Relay	Remote	DIN Rail	LV E5JU -017 0093 A	2, 6, 8
146E-2618-1S00	230 VAC	J t/c	0 to 200°F	High Limit	Manual Reset	8A Relay	Remote	DIN Rail	LV E5HU 0000 0200 A	2, 6, 8
146E-2618-1S00	230 VAC	J t/c	-17 to 93°C	High Limit	Manual Reset	8A Relay	Remote	DIN Rail	LV E5JU -017 0093 A	2, 6, 8
146E-2618-2000	230 VAC	J t/c	0 to 200°F	Low Limit	Manual Reset	8A Relay	Integral	DIN Rail	LV E6HY 0000 0200 A	6, 8
146E-2618-2000	230 VAC	J t/c	-17 to 93°C	Low Limit	Manual Reset	8A Relay	Integral	DIN Rail	LV E6JY -017 0093 A	6, 8
146E-2618-2N00	230 VAC	J t/c	0 to 200°F	Low Limit	Manual Reset	8A Relay	Remote	DIN Rail	LV E5HY 0000 0200 A	2, 6, 8
146E-2618-2N00	230 VAC	J t/c	-17 to 93°C	Low Limit	Manual Reset	8A Relay	Remote	DIN Rail	LV E5JY -017 0093 A	2, 6, 8
146E-2618-2P00	230 VAC	J t/c	0 to 200°F	Low Limit	Manual Reset	8A Relay	Remote	DIN Rail	LV E5HY 0000 0200 A	2, 6, 8
146E-2618-2P00	230 VAC	J t/c	-17 to 93°C	Low Limit	Manual Reset	8A Relay	Remote	DIN Rail	LV E5JY -017 0093 A	2, 6, 8
146E-2618-2S00	230 VAC	J t/c	0 to 200°F	Low Limit	Manual Reset	8A Relay	Remote	DIN Rail	LV E5HY 0000 0200 A	2, 6, 8
146E-2618-2S00	230 VAC	J t/c	-17 to 93°C	Low Limit	Manual Reset	8A Relay	Remote	DIN Rail	LV E5JY -017 0093 A	2, 6, 8
146E-2618-3000	230 VAC	J t/c	0 to 200°F	High Limit	Auto Reset	8A Relay	Integral	DIN Rail	LV E6HW 0000 0200 A	6, 8
146E-2618-3000	230 VAC	J t/c	-17 to 93°C	High Limit	Auto Reset	8A Relay	Integral	DIN Rail	LV E6JW -017 0093 A	6, 8
146E-2618-3N00	230 VAC	J t/c	0 to 200°F	High Limit	Auto Reset	8A Relay	Remote	DIN Rail	LV E5HW 0000 0200 A	2, 6, 8
146E-2618-3N00	230 VAC	J t/c	-17 to 93°C	High Limit	Auto Reset	8A Relay	Remote	DIN Rail	LV E5JW -017 0093 A	2, 6, 8
146E-2618-3P00	230 VAC	J t/c	0 to 200°F	High Limit	Auto Reset	8A Relay	Remote	DIN Rail	LV E5HW 0000 0200 A	2, 6, 8
146E-2618-3P00	230 VAC	J t/c	-17 to 93°C	High Limit	Auto Reset	8A Relay	Remote	DIN Rail	LV E5JW -017 0093 A	2, 6, 8
146E-2618-3S00	230 VAC	J t/c	0 to 200°F	High Limit	Auto Reset	8A Relay	Remote	DIN Rail	LV E5HW 0000 0200 A	2, 6, 8

Series 146

Series 146	Line Voltage	Input	Temp Range	Control Mode	Action	Output	Set Point	Mounting	Retrofit control	See Notes Below
146E-2618-3S00	230 VAC	J t/c	-17 to 93°C	High Limit	Auto Reset	8A Relay	Remote	DIN Rail	LV E5JW -017 0093 A	2, 6, 8
146E-2618-4000	230 VAC	J t/c	0 to 200°F	Low Limit	Auto Reset	8A Relay	Integral	DIN Rail	LV E6HZ 0000 0200 A	6, 8
146E-2618-4000	230 VAC	J t/c	-17 to 93°C	Low Limit	Auto Reset	8A Relay	Integral	DIN Rail	LV E6JZ -017 0093 A	6, 8
146E-2618-4N00	230 VAC	J t/c	0 to 200°F	Low Limit	Auto Reset	8A Relay	Remote	DIN Rail	LV E5HZ 0000 0200 A	2, 6, 8
146E-2618-4N00	230 VAC	J t/c	-17 to 93°C	Low Limit	Auto Reset	8A Relay	Remote	DIN Rail	LV E5JZ -017 0093 A	2, 6, 8
146E-2618-4P00	230 VAC	J t/c	0 to 200°F	Low Limit	Auto Reset	8A Relay	Remote	DIN Rail	LV E5HZ 0000 0200 A	2, 6, 8
146E-2618-4P00	230 VAC	J t/c	-17 to 93°C	Low Limit	Auto Reset	8A Relay	Remote	DIN Rail	LV E5JZ -017 0093 A	2, 6, 8
146E-2618-4S00	230 VAC	J t/c	0 to 200°F	Low Limit	Auto Reset	8A Relay	Remote	DIN Rail	LV E5HZ 0000 0200 A	2, 6, 8
146E-2618-4S00	230 VAC	J t/c	-17 to 93°C	Low Limit	Auto Reset	8A Relay	Remote	DIN Rail	LV E5JZ -017 0093 A	2, 6, 8
146E-2619-1000	230 VAC	E t/c	32 to 1470°F	High Limit	Manual Reset	8A Relay	Integral	DIN Rail	LV E6SU 0032 1470 A	6, 8
146E-2619-1000	230 VAC	E t/c	0 to 799°C	High Limit	Manual Reset	8A Relay	Integral	DIN Rail	LV E6TU 0000 0799 A	6, 8
146E-2619-1N00	230 VAC	E t/c	32 to 1470°F	High Limit	Manual Reset	8A Relay	Remote	DIN Rail	LV E5SU 0032 1470 A	2, 6, 8
146E-2619-1N00	230 VAC	E t/c	0 to 799°C	High Limit	Manual Reset	8A Relay	Remote	DIN Rail	LV E5TU 0000 0799 A	2, 6, 8
146E-2619-1P00	230 VAC	E t/c	32 to 1470°F	High Limit	Manual Reset	8A Relay	Remote	DIN Rail	LV E5SU 0032 1470 A	2, 6, 8
146E-2619-1P00	230 VAC	E t/c	0 to 799°C	High Limit	Manual Reset	8A Relay	Remote	DIN Rail	LV E5TU 0000 0799 A	2, 6, 8
146E-2619-1S00	230 VAC	E t/c	32 to 1470°F	High Limit	Manual Reset	8A Relay	Remote	DIN Rail	LV E5SU 0032 1470 A	2, 6, 8
146E-2619-1S00	230 VAC	E t/c	0 to 799°C	High Limit	Manual Reset	8A Relay	Remote	DIN Rail	LV E5TU 0000 0799 A	2, 6, 8
146E-2619-2000	230 VAC	E t/c	32 to 1470°F	Low Limit	Manual Reset	8A Relay	Integral	DIN Rail	LV E6SY 0032 1470 A	6, 8
146E-2619-2000	230 VAC	E t/c	0 to 799°C	Low Limit	Manual Reset	8A Relay	Integral	DIN Rail	LV E6TY 0000 0799 A	6, 8
146E-2619-2N00	230 VAC	E t/c	32 to 1470°F	Low Limit	Manual Reset	8A Relay	Remote	DIN Rail	LV E5SY 0032 1470 A	2, 6, 8
146E-2619-2N00	230 VAC	E t/c	0 to 799°C	Low Limit	Manual Reset	8A Relay	Remote	DIN Rail	LV E5TY 0000 0799 A	2, 6, 8
146E-2619-2P00	230 VAC	E t/c	32 to 1470°F	Low Limit	Manual Reset	8A Relay	Remote	DIN Rail	LV E5SY 0032 1470 A	2, 6, 8
146E-2619-2P00	230 VAC	E t/c	0 to 799°C	Low Limit	Manual Reset	8A Relay	Remote	DIN Rail	LV E5TY 0000 0799 A	2, 6, 8
146E-2619-2S00	230 VAC	E t/c	32 to 1470°F	Low Limit	Manual Reset	8A Relay	Remote	DIN Rail	LV E5SY 0032 1470 A	2, 6, 8
146E-2619-2S00	230 VAC	E t/c	0 to 799°C	Low Limit	Manual Reset	8A Relay	Remote	DIN Rail	LV E5TY 0000 0799 A	2, 6, 8
146E-2619-3000	230 VAC	E t/c	32 to 1470°F	High Limit	Auto Reset	8A Relay	Integral	DIN Rail	LV E6SW 0032 1470 A	6, 8
146E-2619-3000	230 VAC	E t/c	0 to 799°C	High Limit	Auto Reset	8A Relay	Integral	DIN Rail	LV E6TW 0000 0799 A	6, 8
146E-2619-3N00	230 VAC	E t/c	32 to 1470°F	High Limit	Auto Reset	8A Relay	Remote	DIN Rail	LV E5SW 0032 1470 A	2, 6, 8
146E-2619-3N00	230 VAC	E t/c	0 to 799°C	High Limit	Auto Reset	8A Relay	Remote	DIN Rail	LV E5TW 0000 0799 A	2, 6, 8
146E-2619-3P00	230 VAC	E t/c	32 to 1470°F	High Limit	Auto Reset	8A Relay	Remote	DIN Rail	LV E5SW 0032 1470 A	2, 6, 8
146E-2619-3P00	230 VAC	E t/c	0 to 799°C	High Limit	Auto Reset	8A Relay	Remote	DIN Rail	LV E5TW 0000 0799 A	2, 6, 8
146E-2619-3S00	230 VAC	E t/c	32 to 1470°F	High Limit	Auto Reset	8A Relay	Remote	DIN Rail	LV E5SW 0032 1470 A	2, 6, 8
146E-2619-3S00	230 VAC	E t/c	0 to 799°C	High Limit	Auto Reset	8A Relay	Remote	DIN Rail	LV E5TW 0000 0799 A	2, 6, 8
146E-2619-4000	230 VAC	E t/c	32 to 1470°F	Low Limit	Auto Reset	8A Relay	Integral	DIN Rail	LV E6SZ 0032 1470 A	6, 8
146E-2619-4000	230 VAC	E t/c	0 to 799°C	Low Limit	Auto Reset	8A Relay	Integral	DIN Rail	LV E6TZ 0000 0799 A	6, 8
146E-2619-4N00	230 VAC	E t/c	32 to 1470°F	Low Limit	Auto Reset	8A Relay	Remote	DIN Rail	LV E5SZ 0032 1470 A	2, 6, 8
146E-2619-4N00	230 VAC	E t/c	0 to 799°C	Low Limit	Auto Reset	8A Relay	Remote	DIN Rail	LV E5TZ 0000 0799 A	2, 6, 8
146E-2619-4P00	230 VAC	E t/c	32 to 1470°F	Low Limit	Auto Reset	8A Relay	Remote	DIN Rail	LV E5SZ 0032 1470 A	2, 6, 8
146E-2619-4P00	230 VAC	E t/c	0 to 799°C	Low Limit	Auto Reset	8A Relay	Remote	DIN Rail	LV E5TZ 0000 0799 A	2, 6, 8
146E-2619-4S00	230 VAC	E t/c	32 to 1470°F	Low Limit	Auto Reset	8A Relay	Remote	DIN Rail	LV E5SZ 0032 1470 A	2, 6, 8
146E-2619-4S00	230 VAC	E t/c	0 to 799°C	Low Limit	Auto Reset	8A Relay	Remote	DIN Rail	LV E5TZ 0000 0799 A	2, 6, 8

Series 146

Series 146	Line Voltage	Input	Temp Range	Control Mode	Action	Output	Set Point	Mounting	Retrofit control	See Notes Below
146E-2620-1000	230 VAC	J t/c	300 to 800°F	High Limit	Manual Reset	8A Relay	Integral	DIN Rail	LV E6HU 0300 0800 A	6, 8
146E-2620-1000	230 VAC	J t/c	149 to 427°C	High Limit	Manual Reset	8A Relay	Integral	DIN Rail	LV E6JU 0149 0427 A	6, 8
146E-2620-1N00	230 VAC	J t/c	300 to 800°F	High Limit	Manual Reset	8A Relay	Remote	DIN Rail	LV E5HU 0300 0800 A	2, 6, 8
146E-2620-1N00	230 VAC	J t/c	149 to 427°C	High Limit	Manual Reset	8A Relay	Remote	DIN Rail	LV E5JU 0149 0427 A	2, 6, 8
146E-2620-1P00	230 VAC	J t/c	300 to 800°F	High Limit	Manual Reset	8A Relay	Remote	DIN Rail	LV E5HU 0300 0800 A	2, 6, 8
146E-2620-1P00	230 VAC	J t/c	149 to 427°C	High Limit	Manual Reset	8A Relay	Remote	DIN Rail	LV E5JU 0149 0427 A	2, 6, 8
146E-2620-1S00	230 VAC	J t/c	300 to 800°F	High Limit	Manual Reset	8A Relay	Remote	DIN Rail	LV E5HU 0300 0800 A	2, 6, 8
146E-2620-1S00	230 VAC	J t/c	149 to 427°C	High Limit	Manual Reset	8A Relay	Remote	DIN Rail	LV E5JU 0149 0427 A	2, 6, 8
146E-2620-2000	230 VAC	J t/c	300 to 800°F	Low Limit	Manual Reset	8A Relay	Integral	DIN Rail	LV E6HY 0300 0800 A	6, 8
146E-2620-2000	230 VAC	J t/c	149 to 427°C	Low Limit	Manual Reset	8A Relay	Integral	DIN Rail	LV E6JY 0149 0427 A	6, 8
146E-2620-2N00	230 VAC	J t/c	300 to 800°F	Low Limit	Manual Reset	8A Relay	Remote	DIN Rail	LV E5HY 0300 0800 A	2, 6, 8
146E-2620-2N00	230 VAC	J t/c	149 to 427°C	Low Limit	Manual Reset	8A Relay	Remote	DIN Rail	LV E5JY 0149 0427 A	2, 6, 8
146E-2620-2P00	230 VAC	J t/c	300 to 800°F	Low Limit	Manual Reset	8A Relay	Remote	DIN Rail	LV E5HY 0300 0800 A	2, 6, 8
146E-2620-2P00	230 VAC	J t/c	149 to 427°C	Low Limit	Manual Reset	8A Relay	Remote	DIN Rail	LV E5JY 0149 0427 A	2, 6, 8
146E-2620-2S00	230 VAC	J t/c	300 to 800°F	Low Limit	Manual Reset	8A Relay	Remote	DIN Rail	LV E5HY 0300 0800 A	2, 6, 8
146E-2620-2S00	230 VAC	J t/c	149 to 427°C	Low Limit	Manual Reset	8A Relay	Remote	DIN Rail	LV E5JY 0149 0427 A	2, 6, 8
146E-2620-3000	230 VAC	J t/c	300 to 800°F	High Limit	Auto Reset	8A Relay	Integral	DIN Rail	LV E6HW 0300 0800 A	6, 8
146E-2620-3000	230 VAC	J t/c	149 to 427°C	High Limit	Auto Reset	8A Relay	Integral	DIN Rail	LV E6JW 0149 0427 A	6, 8
146E-2620-3N00	230 VAC	J t/c	300 to 800°F	High Limit	Auto Reset	8A Relay	Remote	DIN Rail	LV E5HW 0300 0800 A	2, 6, 8
146E-2620-3N00	230 VAC	J t/c	149 to 427°C	High Limit	Auto Reset	8A Relay	Remote	DIN Rail	LV E5JW 0149 0427 A	2, 6, 8
146E-2620-3P00	230 VAC	J t/c	300 to 800°F	High Limit	Auto Reset	8A Relay	Remote	DIN Rail	LV E5HW 0300 0800 A	2, 6, 8
146E-2620-3P00	230 VAC	J t/c	149 to 427°C	High Limit	Auto Reset	8A Relay	Remote	DIN Rail	LV E5JW 0149 0427 A	2, 6, 8
146E-2620-3S00	230 VAC	J t/c	300 to 800°F	High Limit	Auto Reset	8A Relay	Remote	DIN Rail	LV E5HW 0300 0800 A	2, 6, 8
146E-2620-3S00	230 VAC	J t/c	149 to 427°C	High Limit	Auto Reset	8A Relay	Remote	DIN Rail	LV E5JW 0149 0427 A	2, 6, 8
146E-2620-4000	230 VAC	J t/c	300 to 800°F	Low Limit	Auto Reset	8A Relay	Integral	DIN Rail	LV E6HZ 0300 0800 A	6, 8
146E-2620-4000	230 VAC	J t/c	149 to 427°C	Low Limit	Auto Reset	8A Relay	Integral	DIN Rail	LV E6JZ 0149 0427 A	6, 8
146E-2620-4N00	230 VAC	J t/c	300 to 800°F	Low Limit	Auto Reset	8A Relay	Remote	DIN Rail	LV E5HZ 0300 0800 A	2, 6, 8
146E-2620-4N00	230 VAC	J t/c	149 to 427°C	Low Limit	Auto Reset	8A Relay	Remote	DIN Rail	LV E5JZ 0149 0427 A	2, 6, 8
146E-2620-4P00	230 VAC	J t/c	300 to 800°F	Low Limit	Auto Reset	8A Relay	Remote	DIN Rail	LV E5HZ 0300 0800 A	2, 6, 8
146E-2620-4P00	230 VAC	J t/c	149 to 427°C	Low Limit	Auto Reset	8A Relay	Remote	DIN Rail	LV E5JZ 0149 0427 A	2, 6, 8
146E-2620-4S00	230 VAC	J t/c	300 to 800°F	Low Limit	Auto Reset	8A Relay	Remote	DIN Rail	LV E5HZ 0300 0800 A	2, 6, 8
146E-2620-4S00	230 VAC	J t/c	149 to 427°C	Low Limit	Auto Reset	8A Relay	Remote	DIN Rail	LV E5JZ 0149 0427 A	2, 6, 8
146E-2623-1000	230 VAC	J t/c	110 to 130°F	High Limit	Manual Reset	8A Relay	Integral	DIN Rail	LV E6HU 0110 0130 A	6, 8
146E-2623-1000	230 VAC	J t/c	43 to 54°C	High Limit	Manual Reset	8A Relay	Integral	DIN Rail	LV E6JU 0043 0054 A	6, 8
146E-2623-1N00	230 VAC	J t/c	110 to 130°F	High Limit	Manual Reset	8A Relay	Remote	DIN Rail	LV E5HU 0110 0130 A	2, 6, 8
146E-2623-1N00	230 VAC	J t/c	43 to 54°C	High Limit	Manual Reset	8A Relay	Remote	DIN Rail	LV E5JU 0043 0054 A	2, 6, 8
146E-2623-1P00	230 VAC	J t/c	110 to 130°F	High Limit	Manual Reset	8A Relay	Remote	DIN Rail	LV E5HU 0110 0130 A	2, 6, 8
146E-2623-1P00	230 VAC	J t/c	43 to 54°C	High Limit	Manual Reset	8A Relay	Remote	DIN Rail	LV E5JU 0043 0054 A	2, 6, 8
146E-2623-1S00	230 VAC	J t/c	110 to 130°F	High Limit	Manual Reset	8A Relay	Remote	DIN Rail	LV E5HU 0110 0130 A	2, 6, 8
146E-2623-1S00	230 VAC	J t/c	43 to 54°C	High Limit	Manual Reset	8A Relay	Remote	DIN Rail	LV E5JU 0043 0054 A	2, 6, 8
146E-2623-2000	230 VAC	J t/c	110 to 130°F	Low Limit	Manual Reset	8A Relay	Integral	DIN Rail	LV E6HY 0110 0130 A	6, 8

Series 146

Series 146	Line Voltage	Input	Temp Range	Control Mode	Action	Output	Set Point	Mounting	Retrofit control	See Notes Below
146E-2623-2000	230 VAC	J t/c	43 to 54°C	Low Limit	Manual Reset	8A Relay	Integral	DIN Rail	LV E6JY 0043 0054 A	6, 8
146E-2623-2N00	230 VAC	J t/c	110 to 130°F	Low Limit	Manual Reset	8A Relay	Remote	DIN Rail	LV E5HY 0110 0130 A	2, 6, 8
146E-2623-2N00	230 VAC	J t/c	43 to 54°C	Low Limit	Manual Reset	8A Relay	Remote	DIN Rail	LV E5JY 0043 0054 A	2, 6, 8
146E-2623-2P00	230 VAC	J t/c	110 to 130°F	Low Limit	Manual Reset	8A Relay	Remote	DIN Rail	LV E5HY 0110 0130 A	2, 6, 8
146E-2623-2P00	230 VAC	J t/c	43 to 54°C	Low Limit	Manual Reset	8A Relay	Remote	DIN Rail	LV E5JY 0043 0054 A	2, 6, 8
146E-2623-2S00	230 VAC	J t/c	110 to 130°F	Low Limit	Manual Reset	8A Relay	Remote	DIN Rail	LV E5HY 0110 0130 A	2, 6, 8
146E-2623-2S00	230 VAC	J t/c	43 to 54°C	Low Limit	Manual Reset	8A Relay	Remote	DIN Rail	LV E5JY 0043 0054 A	2, 6, 8
146E-2623-3000	230 VAC	J t/c	110 to 130°F	High Limit	Auto Reset	8A Relay	Integral	DIN Rail	LV E6HW 0110 0130 A	6, 8
146E-2623-3000	230 VAC	J t/c	43 to 54°C	High Limit	Auto Reset	8A Relay	Integral	DIN Rail	LV E6JW 0043 0054 A	6, 8
146E-2623-3N00	230 VAC	J t/c	110 to 130°F	High Limit	Auto Reset	8A Relay	Remote	DIN Rail	LV E5HW 0110 0130 A	2, 6, 8
146E-2623-3N00	230 VAC	J t/c	43 to 54°C	High Limit	Auto Reset	8A Relay	Remote	DIN Rail	LV E5JW 0043 0054 A	2, 6, 8
146E-2623-3P00	230 VAC	J t/c	110 to 130°F	High Limit	Auto Reset	8A Relay	Remote	DIN Rail	LV E5HW 0110 0130 A	2, 6, 8
146E-2623-3P00	230 VAC	J t/c	43 to 54°C	High Limit	Auto Reset	8A Relay	Remote	DIN Rail	LV E5JW 0043 0054 A	2, 6, 8
146E-2623-3S00	230 VAC	J t/c	110 to 130°F	High Limit	Auto Reset	8A Relay	Remote	DIN Rail	LV E5HW 0110 0130 A	2, 6, 8
146E-2623-3S00	230 VAC	J t/c	43 to 54°C	High Limit	Auto Reset	8A Relay	Remote	DIN Rail	LV E5JW 0043 0054 A	2, 6, 8
146E-2623-4000	230 VAC	J t/c	110 to 130°F	Low Limit	Auto Reset	8A Relay	Integral	DIN Rail	LV E6HZ 0110 0130 A	6, 8
146E-2623-4000	230 VAC	J t/c	43 to 54°C	Low Limit	Auto Reset	8A Relay	Integral	DIN Rail	LV E6JZ 0043 0054 A	6, 8
146E-2623-4N00	230 VAC	J t/c	110 to 130°F	Low Limit	Auto Reset	8A Relay	Remote	DIN Rail	LV E5HZ 0110 0130 A	2, 6, 8
146E-2623-4N00	230 VAC	J t/c	43 to 54°C	Low Limit	Auto Reset	8A Relay	Remote	DIN Rail	LV E5JZ 0043 0054 A	2, 6, 8
146E-2623-4P00	230 VAC	J t/c	110 to 130°F	Low Limit	Auto Reset	8A Relay	Remote	DIN Rail	LV E5HZ 0110 0130 A	2, 6, 8
146E-2623-4P00	230 VAC	J t/c	43 to 54°C	Low Limit	Auto Reset	8A Relay	Remote	DIN Rail	LV E5JZ 0043 0054 A	2, 6, 8
146E-2623-4S00	230 VAC	J t/c	110 to 130°F	Low Limit	Auto Reset	8A Relay	Remote	DIN Rail	LV E5HZ 0110 0130 A	2, 6, 8
146E-2623-4S00	230 VAC	J t/c	43 to 54°C	Low Limit	Auto Reset	8A Relay	Remote	DIN Rail	LV E5JZ 0043 0054 A	2, 6, 8
146E-2625-1000	230 VAC	J t/c	250 to 430°F	High Limit	Manual Reset	8A Relay	Integral	DIN Rail	LV E6HU 0250 0430 A	6, 8
146E-2625-1000	230 VAC	J t/c	121 to 221°C	High Limit	Manual Reset	8A Relay	Integral	DIN Rail	LV E6JU 0121 0221 A	6, 8
146E-2625-1N00	230 VAC	J t/c	250 to 430°F	High Limit	Manual Reset	8A Relay	Remote	DIN Rail	LV E5HU 0250 0430 A	2, 6, 8
146E-2625-1N00	230 VAC	J t/c	121 to 221°C	High Limit	Manual Reset	8A Relay	Remote	DIN Rail	LV E5JU 0121 0221 A	2, 6, 8
146E-2625-1P00	230 VAC	J t/c	250 to 430°F	High Limit	Manual Reset	8A Relay	Remote	DIN Rail	LV E5HU 0250 0430 A	2, 6, 8
146E-2625-1P00	230 VAC	J t/c	121 to 221°C	High Limit	Manual Reset	8A Relay	Remote	DIN Rail	LV E5JU 0121 0221 A	2, 6, 8
146E-2625-1S00	230 VAC	J t/c	250 to 430°F	High Limit	Manual Reset	8A Relay	Remote	DIN Rail	LV E5HU 0250 0430 A	2, 6, 8
146E-2625-1S00	230 VAC	J t/c	121 to 221°C	High Limit	Manual Reset	8A Relay	Remote	DIN Rail	LV E5JU 0121 0221 A	2, 6, 8
146E-2625-2000	230 VAC	J t/c	250 to 430°F	Low Limit	Manual Reset	8A Relay	Integral	DIN Rail	LV E6HY 0250 0430 A	6, 8
146E-2625-2000	230 VAC	J t/c	121 to 221°C	Low Limit	Manual Reset	8A Relay	Integral	DIN Rail	LV E6JY 0121 0221 A	6, 8
146E-2625-2N00	230 VAC	J t/c	250 to 430°F	Low Limit	Manual Reset	8A Relay	Remote	DIN Rail	LV E5HY 0250 0430 A	2, 6, 8
146E-2625-2N00	230 VAC	J t/c	121 to 221°C	Low Limit	Manual Reset	8A Relay	Remote	DIN Rail	LV E5JY 0121 0221 A	2, 6, 8
146E-2625-2P00	230 VAC	J t/c	250 to 430°F	Low Limit	Manual Reset	8A Relay	Remote	DIN Rail	LV E5HY 0250 0430 A	2, 6, 8
146E-2625-2P00	230 VAC	J t/c	121 to 221°C	Low Limit	Manual Reset	8A Relay	Remote	DIN Rail	LV E5JY 0121 0221 A	2, 6, 8
146E-2625-2S00	230 VAC	J t/c	250 to 430°F	Low Limit	Manual Reset	8A Relay	Remote	DIN Rail	LV E5HY 0250 0430 A	2, 6, 8
146E-2625-2S00	230 VAC	J t/c	121 to 221°C	Low Limit	Manual Reset	8A Relay	Remote	DIN Rail	LV E5JY 0121 0221 A	2, 6, 8
146E-2625-3000	230 VAC	J t/c	250 to 430°F	High Limit	Auto Reset	8A Relay	Integral	DIN Rail	LV E6HW 0250 0430 A	6, 8
146E-2625-3000	230 VAC	J t/c	121 to 221°C	High Limit	Auto Reset	8A Relay	Integral	DIN Rail	LV E6JW 0121 0221 A	6, 8

Series 146

Series 146	Line Voltage	Input	Temp Range	Control Mode	Action	Output	Set Point	Mounting	Retrofit control	See Notes Below
146E-2625-3N00	230 VAC	J t/c	250 to 430°F	High Limit	Auto Reset	8A Relay	Remote	DIN Rail	LV E5HW 0250 0430 A	2, 6, 8
146E-2625-3N00	230 VAC	J t/c	121 to 221°C	High Limit	Auto Reset	8A Relay	Remote	DIN Rail	LV E5JW 0121 0221 A	2, 6, 8
146E-2625-3P00	230 VAC	J t/c	250 to 430°F	High Limit	Auto Reset	8A Relay	Remote	DIN Rail	LV E5HW 0250 0430 A	2, 6, 8
146E-2625-3P00	230 VAC	J t/c	121 to 221°C	High Limit	Auto Reset	8A Relay	Remote	DIN Rail	LV E5JW 0121 0221 A	2, 6, 8
146E-2625-3S00	230 VAC	J t/c	250 to 430°F	High Limit	Auto Reset	8A Relay	Remote	DIN Rail	LV E5HW 0250 0430 A	2, 6, 8
146E-2625-3S00	230 VAC	J t/c	121 to 221°C	High Limit	Auto Reset	8A Relay	Remote	DIN Rail	LV E5JW 0121 0221 A	2, 6, 8
146E-2625-4000	230 VAC	J t/c	250 to 430°F	Low Limit	Auto Reset	8A Relay	Integral	DIN Rail	LV E6HZ 0250 0430 A	6, 8
146E-2625-4000	230 VAC	J t/c	121 to 221°C	Low Limit	Auto Reset	8A Relay	Integral	DIN Rail	LV E6JZ 0121 0221 A	6, 8
146E-2625-4N00	230 VAC	J t/c	250 to 430°F	Low Limit	Auto Reset	8A Relay	Remote	DIN Rail	LV E5HZ 0250 0430 A	2, 6, 8
146E-2625-4N00	230 VAC	J t/c	121 to 221°C	Low Limit	Auto Reset	8A Relay	Remote	DIN Rail	LV E5JZ 0121 0221 A	2, 6, 8
146E-2625-4P00	230 VAC	J t/c	250 to 430°F	Low Limit	Auto Reset	8A Relay	Remote	DIN Rail	LV E5HZ 0250 0430 A	2, 6, 8
146E-2625-4P00	230 VAC	J t/c	121 to 221°C	Low Limit	Auto Reset	8A Relay	Remote	DIN Rail	LV E5JZ 0121 0221 A	2, 6, 8
146E-2625-4S00	230 VAC	J t/c	250 to 430°F	Low Limit	Auto Reset	8A Relay	Remote	DIN Rail	LV E5HZ 0250 0430 A	2, 6, 8
146E-2625-4S00	230 VAC	J t/c	121 to 221°C	Low Limit	Auto Reset	8A Relay	Remote	DIN Rail	LV E5JZ 0121 0221 A	2, 6, 8
146E-2626-1000	230 VAC	K t/c	60 to 300°F	High Limit	Manual Reset	8A Relay	Integral	DIN Rail	LV E6KU 0060 0300 A	6, 8
146E-2626-1000	230 VAC	K t/c	16 to 149°C	High Limit	Manual Reset	8A Relay	Integral	DIN Rail	LV E6LU 0016 0149 A	6, 8
146E-2626-1N00	230 VAC	K t/c	60 to 300°F	High Limit	Manual Reset	8A Relay	Remote	DIN Rail	LV E5KU 0060 0300 A	2, 6, 8
146E-2626-1N00	230 VAC	K t/c	16 to 149°C	High Limit	Manual Reset	8A Relay	Remote	DIN Rail	LV E5LU 0016 0149 A	2, 6, 8
146E-2626-1P00	230 VAC	K t/c	60 to 300°F	High Limit	Manual Reset	8A Relay	Remote	DIN Rail	LV E5KU 0060 0300 A	2, 6, 8
146E-2626-1P00	230 VAC	K t/c	16 to 149°C	High Limit	Manual Reset	8A Relay	Remote	DIN Rail	LV E5LU 0016 0149 A	2, 6, 8
146E-2626-1S00	230 VAC	K t/c	60 to 300°F	High Limit	Manual Reset	8A Relay	Remote	DIN Rail	LV E5KU 0060 0300 A	2, 6, 8
146E-2626-1S00	230 VAC	K t/c	16 to 149°C	High Limit	Manual Reset	8A Relay	Remote	DIN Rail	LV E5LU 0016 0149 A	2, 6, 8
146E-2626-2000	230 VAC	K t/c	60 to 300°F	Low Limit	Manual Reset	8A Relay	Integral	DIN Rail	LV E6KY 0060 0300 A	6, 8
146E-2626-2000	230 VAC	K t/c	16 to 149°C	Low Limit	Manual Reset	8A Relay	Integral	DIN Rail	LV E6LY 0016 0149 A	6, 8
146E-2626-2N00	230 VAC	K t/c	60 to 300°F	Low Limit	Manual Reset	8A Relay	Remote	DIN Rail	LV E5KY 0060 0300 A	2, 6, 8
146E-2626-2N00	230 VAC	K t/c	16 to 149°C	Low Limit	Manual Reset	8A Relay	Remote	DIN Rail	LV E5LY 0016 0149 A	2, 6, 8
146E-2626-2P00	230 VAC	K t/c	60 to 300°F	Low Limit	Manual Reset	8A Relay	Remote	DIN Rail	LV E5KY 0060 0300 A	2, 6, 8
146E-2626-2P00	230 VAC	K t/c	16 to 149°C	Low Limit	Manual Reset	8A Relay	Remote	DIN Rail	LV E5LY 0016 0149 A	2, 6, 8
146E-2626-2S00	230 VAC	K t/c	60 to 300°F	Low Limit	Manual Reset	8A Relay	Remote	DIN Rail	LV E5KY 0060 0300 A	2, 6, 8
146E-2626-2S00	230 VAC	K t/c	16 to 149°C	Low Limit	Manual Reset	8A Relay	Remote	DIN Rail	LV E5LY 0016 0149 A	2, 6, 8
146E-2626-3000	230 VAC	K t/c	60 to 300°F	High Limit	Auto Reset	8A Relay	Integral	DIN Rail	LV E6KW 0060 0300 A	6, 8
146E-2626-3000	230 VAC	K t/c	16 to 149°C	High Limit	Auto Reset	8A Relay	Integral	DIN Rail	LV E6LW 0016 0149 A	6, 8
146E-2626-3N00	230 VAC	K t/c	60 to 300°F	High Limit	Auto Reset	8A Relay	Remote	DIN Rail	LV E5KW 0060 0300 A	2, 6, 8
146E-2626-3N00	230 VAC	K t/c	16 to 149°C	High Limit	Auto Reset	8A Relay	Remote	DIN Rail	LV E5LW 0016 0149 A	2, 6, 8
146E-2626-3P00	230 VAC	K t/c	60 to 300°F	High Limit	Auto Reset	8A Relay	Remote	DIN Rail	LV E5KW 0060 0300 A	2, 6, 8
146E-2626-3P00	230 VAC	K t/c	16 to 149°C	High Limit	Auto Reset	8A Relay	Remote	DIN Rail	LV E5LW 0016 0149 A	2, 6, 8
146E-2626-3S00	230 VAC	K t/c	60 to 300°F	High Limit	Auto Reset	8A Relay	Remote	DIN Rail	LV E5KW 0060 0300 A	2, 6, 8
146E-2626-3S00	230 VAC	K t/c	16 to 149°C	High Limit	Auto Reset	8A Relay	Remote	DIN Rail	LV E5LW 0016 0149 A	2, 6, 8
146E-2626-4000	230 VAC	K t/c	60 to 300°F	Low Limit	Auto Reset	8A Relay	Integral	DIN Rail	LV E6KZ 0060 0300 A	6, 8
146E-2626-4000	230 VAC	K t/c	16 to 149°C	Low Limit	Auto Reset	8A Relay	Integral	DIN Rail	LV E6LZ 0016 0149 A	6, 8
146E-2626-4N00	230 VAC	K t/c	60 to 300°F	Low Limit	Auto Reset	8A Relay	Remote	DIN Rail	LV E5KZ 0060 0300 A	2, 6, 8

Series 146

Series 146	Line Voltage	Input	Temp Range	Control Mode	Action	Output	Set Point	Mounting	Retrofit control	See Notes Below
146E-2626-4N00	230 VAC	K t/c	16 to 149°C	Low Limit	Auto Reset	8A Relay	Remote	DIN Rail	LV E5LZ 0016 0149 A	2, 6, 8
146E-2626-4P00	230 VAC	K t/c	60 to 300°F	Low Limit	Auto Reset	8A Relay	Remote	DIN Rail	LV E5KZ 0060 0300 A	2, 6, 8
146E-2626-4P00	230 VAC	K t/c	16 to 149°C	Low Limit	Auto Reset	8A Relay	Remote	DIN Rail	LV E5LZ 0016 0149 A	2, 6, 8
146E-2626-4S00	230 VAC	K t/c	60 to 300°F	Low Limit	Auto Reset	8A Relay	Remote	DIN Rail	LV E5KZ 0060 0300 A	2, 6, 8
146E-2626-4S00	230 VAC	K t/c	16 to 149°C	Low Limit	Auto Reset	8A Relay	Remote	DIN Rail	LV E5LZ 0016 0149 A	2, 6, 8
146E-2627-1000	230 VAC	K t/c	32 to 150°F	High Limit	Manual Reset	8A Relay	Integral	DIN Rail	LV E6KU 0032 0150 A	6, 8
146E-2627-1000	230 VAC	K t/c	0 to 66°C	High Limit	Manual Reset	8A Relay	Integral	DIN Rail	LV E6LU 0000 0066 A	6, 8
146E-2627-1N00	230 VAC	K t/c	32 to 150°F	High Limit	Manual Reset	8A Relay	Remote	DIN Rail	LV E5KU 0032 0150 A	2, 6, 8
146E-2627-1N00	230 VAC	K t/c	0 to 66°C	High Limit	Manual Reset	8A Relay	Remote	DIN Rail	LV E5LU 0000 0066 A	2, 6, 8
146E-2627-1P00	230 VAC	K t/c	32 to 150°F	High Limit	Manual Reset	8A Relay	Remote	DIN Rail	LV E5KU 0032 0150 A	2, 6, 8
146E-2627-1P00	230 VAC	K t/c	0 to 66°C	High Limit	Manual Reset	8A Relay	Remote	DIN Rail	LV E5LU 0000 0066 A	2, 6, 8
146E-2627-1S00	230 VAC	K t/c	32 to 150°F	High Limit	Manual Reset	8A Relay	Remote	DIN Rail	LV E5KU 0032 0150 A	2, 6, 8
146E-2627-1S00	230 VAC	K t/c	0 to 66°C	High Limit	Manual Reset	8A Relay	Remote	DIN Rail	LV E5LU 0000 0066 A	2, 6, 8
146E-2627-2000	230 VAC	K t/c	32 to 150°F	Low Limit	Manual Reset	8A Relay	Integral	DIN Rail	LV E6KY 0032 0150 A	6, 8
146E-2627-2000	230 VAC	K t/c	0 to 66°C	Low Limit	Manual Reset	8A Relay	Integral	DIN Rail	LV E6LY 0000 0066 A	6, 8
146E-2627-2N00	230 VAC	K t/c	32 to 150°F	Low Limit	Manual Reset	8A Relay	Remote	DIN Rail	LV E5KY 0032 0150 A	2, 6, 8
146E-2627-2N00	230 VAC	K t/c	0 to 66°C	Low Limit	Manual Reset	8A Relay	Remote	DIN Rail	LV E5LY 0000 0066 A	2, 6, 8
146E-2627-2P00	230 VAC	K t/c	32 to 150°F	Low Limit	Manual Reset	8A Relay	Remote	DIN Rail	LV E5KY 0032 0150 A	2, 6, 8
146E-2627-2P00	230 VAC	K t/c	0 to 66°C	Low Limit	Manual Reset	8A Relay	Remote	DIN Rail	LV E5LY 0000 0066 A	2, 6, 8
146E-2627-2S00	230 VAC	K t/c	32 to 150°F	Low Limit	Manual Reset	8A Relay	Remote	DIN Rail	LV E5KY 0032 0150 A	2, 6, 8
146E-2627-2S00	230 VAC	K t/c	0 to 66°C	Low Limit	Manual Reset	8A Relay	Remote	DIN Rail	LV E5LY 0000 0066 A	2, 6, 8
146E-2627-3000	230 VAC	K t/c	32 to 150°F	High Limit	Auto Reset	8A Relay	Integral	DIN Rail	LV E6KW 0032 0150 A	6, 8
146E-2627-3000	230 VAC	K t/c	0 to 66°C	High Limit	Auto Reset	8A Relay	Integral	DIN Rail	LV E6LW 0000 0066 A	6, 8
146E-2627-3N00	230 VAC	K t/c	32 to 150°F	High Limit	Auto Reset	8A Relay	Remote	DIN Rail	LV E5KW 0032 0150 A	2, 6, 8
146E-2627-3N00	230 VAC	K t/c	0 to 66°C	High Limit	Auto Reset	8A Relay	Remote	DIN Rail	LV E5LW 0000 0066 A	2, 6, 8
146E-2627-3P00	230 VAC	K t/c	32 to 150°F	High Limit	Auto Reset	8A Relay	Remote	DIN Rail	LV E5KW 0032 0150 A	2, 6, 8
146E-2627-3P00	230 VAC	K t/c	0 to 66°C	High Limit	Auto Reset	8A Relay	Remote	DIN Rail	LV E5LW 0000 0066 A	2, 6, 8
146E-2627-3S00	230 VAC	K t/c	32 to 150°F	High Limit	Auto Reset	8A Relay	Remote	DIN Rail	LV E5KW 0032 0150 A	2, 6, 8
146E-2627-3S00	230 VAC	K t/c	0 to 66°C	High Limit	Auto Reset	8A Relay	Remote	DIN Rail	LV E5LW 0000 0066 A	2, 6, 8
146E-2627-4000	230 VAC	K t/c	32 to 150°F	Low Limit	Auto Reset	8A Relay	Integral	DIN Rail	LV E6KZ 0032 0150 A	6, 8
146E-2627-4000	230 VAC	K t/c	0 to 66°C	Low Limit	Auto Reset	8A Relay	Integral	DIN Rail	LV E6LZ 0000 0066 A	6, 8
146E-2627-4N00	230 VAC	K t/c	32 to 150°F	Low Limit	Auto Reset	8A Relay	Remote	DIN Rail	LV E5KZ 0032 0150 A	2, 6, 8
146E-2627-4N00	230 VAC	K t/c	0 to 66°C	Low Limit	Auto Reset	8A Relay	Remote	DIN Rail	LV E5LZ 0000 0066 A	2, 6, 8
146E-2627-4P00	230 VAC	K t/c	32 to 150°F	Low Limit	Auto Reset	8A Relay	Remote	DIN Rail	LV E5KZ 0032 0150 A	2, 6, 8
146E-2627-4P00	230 VAC	K t/c	0 to 66°C	Low Limit	Auto Reset	8A Relay	Remote	DIN Rail	LV E5LZ 0000 0066 A	2, 6, 8
146E-2627-4S00	230 VAC	K t/c	32 to 150°F	Low Limit	Auto Reset	8A Relay	Remote	DIN Rail	LV E5KZ 0032 0150 A	2, 6, 8
146E-2627-4S00	230 VAC	K t/c	0 to 66°C	Low Limit	Auto Reset	8A Relay	Remote	DIN Rail	LV E5LZ 0000 0066 A	2, 6, 8
146E-2628-1000	230 VAC	K t/c	0 to 600°F	High Limit	Manual Reset	8A Relay	Integral	DIN Rail	LV E6KU 0000 0600 A	6, 8
146E-2628-1000	230 VAC	K t/c	-17 to 315°C	High Limit	Manual Reset	8A Relay	Integral	DIN Rail	LV E6LU -017 0315 A	6, 8
146E-2628-1N00	230 VAC	K t/c	0 to 600°F	High Limit	Manual Reset	8A Relay	Remote	DIN Rail	LV E5KU 0000 0600 A	2, 6, 8
146E-2628-1N00	230 VAC	K t/c	-17 to 315°C	High Limit	Manual Reset	8A Relay	Remote	DIN Rail	LV E5LU -017 0315 A	2, 6, 8

Series 146

Series 146	Line Voltage	Input	Temp Range	Control Mode	Action	Output	Set Point	Mounting	Retrofit control	See Notes Below
146E-2628-1P00	230 VAC	K t/c	0 to 600°F	High Limit	Manual Reset	8A Relay	Remote	DIN Rail	LV E5KU 0000 0600 A	2, 6, 8
146E-2628-1P00	230 VAC	K t/c	-17 to 315°C	High Limit	Manual Reset	8A Relay	Remote	DIN Rail	LV E5LU -017 0315 A	2, 6, 8
146E-2628-1S00	230 VAC	K t/c	0 to 600°F	High Limit	Manual Reset	8A Relay	Remote	DIN Rail	LV E5KU 0000 0600 A	2, 6, 8
146E-2628-1S00	230 VAC	K t/c	-17 to 315°C	High Limit	Manual Reset	8A Relay	Remote	DIN Rail	LV E5LU -017 0315 A	2, 6, 8
146E-2628-2000	230 VAC	K t/c	0 to 600°F	Low Limit	Manual Reset	8A Relay	Integral	DIN Rail	LV E6KY 0000 0600 A	6, 8
146E-2628-2000	230 VAC	K t/c	-17 to 315°C	Low Limit	Manual Reset	8A Relay	Integral	DIN Rail	LV E6LY -017 0315 A	6, 8
146E-2628-2N00	230 VAC	K t/c	0 to 600°F	Low Limit	Manual Reset	8A Relay	Remote	DIN Rail	LV E5KY 0000 0600 A	2, 6, 8
146E-2628-2N00	230 VAC	K t/c	-17 to 315°C	Low Limit	Manual Reset	8A Relay	Remote	DIN Rail	LV E5LY -017 0315 A	2, 6, 8
146E-2628-2P00	230 VAC	K t/c	0 to 600°F	Low Limit	Manual Reset	8A Relay	Remote	DIN Rail	LV E5KY 0000 0600 A	2, 6, 8
146E-2628-2P00	230 VAC	K t/c	-17 to 315°C	Low Limit	Manual Reset	8A Relay	Remote	DIN Rail	LV E5LY -017 0315 A	2, 6, 8
146E-2628-2S00	230 VAC	K t/c	0 to 600°F	Low Limit	Manual Reset	8A Relay	Remote	DIN Rail	LV E5KY 0000 0600 A	2, 6, 8
146E-2628-2S00	230 VAC	K t/c	-17 to 315°C	Low Limit	Manual Reset	8A Relay	Remote	DIN Rail	LV E5LY -017 0315 A	2, 6, 8
146E-2628-3000	230 VAC	K t/c	0 to 600°F	High Limit	Auto Reset	8A Relay	Integral	DIN Rail	LV E6KW 0000 0600 A	6, 8
146E-2628-3000	230 VAC	K t/c	-17 to 315°C	High Limit	Auto Reset	8A Relay	Integral	DIN Rail	LV E6LW -017 0315 A	6, 8
146E-2628-3N00	230 VAC	K t/c	0 to 600°F	High Limit	Auto Reset	8A Relay	Remote	DIN Rail	LV E5KW 0000 0600 A	2, 6, 8
146E-2628-3N00	230 VAC	K t/c	-17 to 315°C	High Limit	Auto Reset	8A Relay	Remote	DIN Rail	LV E5LW -017 0315 A	2, 6, 8
146E-2628-3P00	230 VAC	K t/c	0 to 600°F	High Limit	Auto Reset	8A Relay	Remote	DIN Rail	LV E5KW 0000 0600 A	2, 6, 8
146E-2628-3P00	230 VAC	K t/c	-17 to 315°C	High Limit	Auto Reset	8A Relay	Remote	DIN Rail	LV E5LW -017 0315 A	2, 6, 8
146E-2628-3S00	230 VAC	K t/c	0 to 600°F	High Limit	Auto Reset	8A Relay	Remote	DIN Rail	LV E5KW 0000 0600 A	2, 6, 8
146E-2628-3S00	230 VAC	K t/c	-17 to 315°C	High Limit	Auto Reset	8A Relay	Remote	DIN Rail	LV E5LW -017 0315 A	2, 6, 8
146E-2628-4000	230 VAC	K t/c	0 to 600°F	Low Limit	Auto Reset	8A Relay	Integral	DIN Rail	LV E6KZ 0000 0600 A	6, 8
146E-2628-4000	230 VAC	K t/c	-17 to 315°C	Low Limit	Auto Reset	8A Relay	Integral	DIN Rail	LV E6LZ -017 0315 A	6, 8
146E-2628-4N00	230 VAC	K t/c	0 to 600°F	Low Limit	Auto Reset	8A Relay	Remote	DIN Rail	LV E5KZ 0000 0600 A	2, 6, 8
146E-2628-4N00	230 VAC	K t/c	-17 to 315°C	Low Limit	Auto Reset	8A Relay	Remote	DIN Rail	LV E5LZ -017 0315 A	2, 6, 8
146E-2628-4P00	230 VAC	K t/c	0 to 600°F	Low Limit	Auto Reset	8A Relay	Remote	DIN Rail	LV E5KZ 0000 0600 A	2, 6, 8
146E-2628-4P00	230 VAC	K t/c	-17 to 315°C	Low Limit	Auto Reset	8A Relay	Remote	DIN Rail	LV E5LZ -017 0315 A	2, 6, 8
146E-2628-4S00	230 VAC	K t/c	0 to 600°F	Low Limit	Auto Reset	8A Relay	Remote	DIN Rail	LV E5KZ 0000 0600 A	2, 6, 8
146E-2628-4S00	230 VAC	K t/c	-17 to 315°C	Low Limit	Auto Reset	8A Relay	Remote	DIN Rail	LV E5LZ -017 0315 A	2, 6, 8
146E-2629-1000	230 VAC	T t/c	-328 to 662°F	High Limit	Manual Reset	8A Relay	Integral	DIN Rail	LV E6MU -328 0622 A	6, 8
146E-2629-1000	230 VAC	T t/c	-200 to 350°C	High Limit	Manual Reset	8A Relay	Integral	DIN Rail	LV E6NU -200 0350 A	6, 8
146E-2629-1N00	230 VAC	T t/c	-328 to 662°F	High Limit	Manual Reset	8A Relay	Remote	DIN Rail	LV E5MU -328 0622 A	2, 6, 8
146E-2629-1N00	230 VAC	T t/c	-200 to 350°C	High Limit	Manual Reset	8A Relay	Remote	DIN Rail	LV E5NU -200 0350 A	2, 6, 8
146E-2629-1P00	230 VAC	T t/c	-328 to 662°F	High Limit	Manual Reset	8A Relay	Remote	DIN Rail	LV E5MU -328 0622 A	2, 6, 8
146E-2629-1P00	230 VAC	T t/c	-200 to 350°C	High Limit	Manual Reset	8A Relay	Remote	DIN Rail	LV E5NU -200 0350 A	2, 6, 8
146E-2629-1S00	230 VAC	T t/c	-328 to 662°F	High Limit	Manual Reset	8A Relay	Remote	DIN Rail	LV E5MU -328 0622 A	2, 6, 8
146E-2629-1S00	230 VAC	T t/c	-200 to 350°C	High Limit	Manual Reset	8A Relay	Remote	DIN Rail	LV E5NU -200 0350 A	2, 6, 8
146E-2629-2000	230 VAC	T t/c	-328 to 662°F	Low Limit	Manual Reset	8A Relay	Integral	DIN Rail	LV E6MY -328 0622 A	6, 8
146E-2629-2000	230 VAC	T t/c	-200 to 350°C	Low Limit	Manual Reset	8A Relay	Integral	DIN Rail	LV E6NY -200 0350 A	6, 8
146E-2629-2N00	230 VAC	T t/c	-328 to 662°F	Low Limit	Manual Reset	8A Relay	Remote	DIN Rail	LV E5MY -328 0622 A	2, 6, 8
146E-2629-2N00	230 VAC	T t/c	-200 to 350°C	Low Limit	Manual Reset	8A Relay	Remote	DIN Rail	LV E5NY -200 0350 A	2, 6, 8
146E-2629-2P00	230 VAC	T t/c	-328 to 662°F	Low Limit	Manual Reset	8A Relay	Remote	DIN Rail	LV E5MY -328 0622 A	2, 6, 8

Series 146

Series 146	Line Voltage	Input	Temp Range	Control Mode	Action	Output	Set Point	Mounting	Retrofit control	See Notes Below
146E-2629-2P00	230 VAC	T t/c	-200 to 350°C	Low Limit	Manual Reset	8A Relay	Remote	DIN Rail	LV E5NY -200 0350 A	2, 6, 8
146E-2629-2S00	230 VAC	T t/c	-328 to 662°F	Low Limit	Manual Reset	8A Relay	Remote	DIN Rail	LV E5MY -328 0622 A	2, 6, 8
146E-2629-2S00	230 VAC	T t/c	-200 to 350°C	Low Limit	Manual Reset	8A Relay	Remote	DIN Rail	LV E5NY -200 0350 A	2, 6, 8
146E-2629-3000	230 VAC	T t/c	-328 to 662°F	High Limit	Auto Reset	8A Relay	Integral	DIN Rail	LV E6MW -328 0622 A	6, 8
146E-2629-3000	230 VAC	T t/c	-200 to 350°C	High Limit	Auto Reset	8A Relay	Integral	DIN Rail	LV E6NW -200 0350 A	6, 8
146E-2629-3N00	230 VAC	T t/c	-328 to 662°F	High Limit	Auto Reset	8A Relay	Remote	DIN Rail	LV E5MW -328 0622 A	2, 6, 8
146E-2629-3N00	230 VAC	T t/c	-200 to 350°C	High Limit	Auto Reset	8A Relay	Remote	DIN Rail	LV E5NW -200 0350 A	2, 6, 8
146E-2629-3P00	230 VAC	T t/c	-328 to 662°F	High Limit	Auto Reset	8A Relay	Remote	DIN Rail	LV E5MW -328 0622 A	2, 6, 8
146E-2629-3P00	230 VAC	T t/c	-200 to 350°C	High Limit	Auto Reset	8A Relay	Remote	DIN Rail	LV E5NW -200 0350 A	2, 6, 8
146E-2629-3S00	230 VAC	T t/c	-328 to 662°F	High Limit	Auto Reset	8A Relay	Remote	DIN Rail	LV E5MW -328 0622 A	2, 6, 8
146E-2629-3S00	230 VAC	T t/c	-200 to 350°C	High Limit	Auto Reset	8A Relay	Remote	DIN Rail	LV E5NW -200 0350 A	2, 6, 8
146E-2629-4000	230 VAC	T t/c	-328 to 662°F	Low Limit	Auto Reset	8A Relay	Integral	DIN Rail	LV E6MZ -328 0622 A	6, 8
146E-2629-4000	230 VAC	T t/c	-200 to 350°C	Low Limit	Auto Reset	8A Relay	Integral	DIN Rail	LV E6NZ -200 0350 A	6, 8
146E-2629-4N00	230 VAC	T t/c	-328 to 662°F	Low Limit	Auto Reset	8A Relay	Remote	DIN Rail	LV E5MZ -328 0622 A	2, 6, 8
146E-2629-4N00	230 VAC	T t/c	-200 to 350°C	Low Limit	Auto Reset	8A Relay	Remote	DIN Rail	LV E5NZ -200 0350 A	2, 6, 8
146E-2629-4P00	230 VAC	T t/c	-328 to 662°F	Low Limit	Auto Reset	8A Relay	Remote	DIN Rail	LV E5MZ -328 0622 A	2, 6, 8
146E-2629-4P00	230 VAC	T t/c	-200 to 350°C	Low Limit	Auto Reset	8A Relay	Remote	DIN Rail	LV E5NZ -200 0350 A	2, 6, 8
146E-2629-4S00	230 VAC	T t/c	-328 to 662°F	Low Limit	Auto Reset	8A Relay	Remote	DIN Rail	LV E5MZ -328 0622 A	2, 6, 8
146E-2629-4S00	230 VAC	T t/c	-200 to 350°C	Low Limit	Auto Reset	8A Relay	Remote	DIN Rail	LV E5NZ -200 0350 A	2, 6, 8
146E-2632-1000	230 VAC	T t/c	-103°F	High Limit	Manual Reset	8A Relay	Fixed	DIN Rail	LF E6MU -103 AAAA A	6, 8
146E-2632-1000	230 VAC	T t/c	-75°C	High Limit	Manual Reset	8A Relay	Fixed	DIN Rail	LF E6NU -075 AAAA A	6, 8
146E-2632-2000	230 VAC	T t/c	-103°F	Low Limit	Manual Reset	8A Relay	Fixed	DIN Rail	LF E6MY -103 AAAA A	6, 8
146E-2632-2000	230 VAC	T t/c	-75°C	Low Limit	Manual Reset	8A Relay	Fixed	DIN Rail	LF E6NY -075 AAAA A	6, 8
146E-2632-3000	230 VAC	T t/c	-103°F	High Limit	Auto Reset	8A Relay	Fixed	DIN Rail	LF E6MW -103 AAAA A	6, 8
146E-2632-3000	230 VAC	T t/c	-75°C	High Limit	Auto Reset	8A Relay	Fixed	DIN Rail	LF E6NW -075 AAAA A	6, 8
146E-2632-4000	230 VAC	T t/c	-103°F	Low Limit	Auto Reset	8A Relay	Fixed	DIN Rail	LF E6MZ -103 AAAA A	6, 8
146E-2632-4000	230 VAC	T t/c	-75°C	Low Limit	Auto Reset	8A Relay	Fixed	DIN Rail	LF E6NZ -075 AAAA A	6, 8
146E-2633-1000	230 VAC	J t/c	650°F	High Limit	Manual Reset	8A Relay	Fixed	DIN Rail	LF E6HU 0650 AAAA A	6, 8
146E-2633-1000	230 VAC	J t/c	343°C	High Limit	Manual Reset	8A Relay	Fixed	DIN Rail	LF E6JU 0343 AAAA A	6, 8
146E-2633-2000	230 VAC	J t/c	650°F	Low Limit	Manual Reset	8A Relay	Fixed	DIN Rail	LF E6HY 0650 AAAA A	6, 8
146E-2633-2000	230 VAC	J t/c	343°C	Low Limit	Manual Reset	8A Relay	Fixed	DIN Rail	LF E6JY 0343 AAAA A	6, 8
146E-2633-3000	230 VAC	J t/c	650°F	High Limit	Auto Reset	8A Relay	Fixed	DIN Rail	LF E6HW 0650 AAAA A	6, 8
146E-2633-3000	230 VAC	J t/c	343°C	High Limit	Auto Reset	8A Relay	Fixed	DIN Rail	LF E6JW 0343 AAAA A	6, 8
146E-2633-4000	230 VAC	J t/c	650°F	Low Limit	Auto Reset	8A Relay	Fixed	DIN Rail	LF E6HZ 0650 AAAA A	6, 8
146E-2633-4000	230 VAC	J t/c	343°C	Low Limit	Auto Reset	8A Relay	Fixed	DIN Rail	LF E6JZ 0343 AAAA A	6, 8
146E-2634-1000	230 VAC	K t/c	280°F	High Limit	Manual Reset	8A Relay	Fixed	DIN Rail	LF E6KU 0280 AAAA A	6, 8
146E-2634-1000	230 VAC	K t/c	138°C	High Limit	Manual Reset	8A Relay	Fixed	DIN Rail	LF E6LU 0138 AAAA A	6, 8
146E-2634-2000	230 VAC	K t/c	280°F	Low Limit	Manual Reset	8A Relay	Fixed	DIN Rail	LF E6KY 0280 AAAA A	6, 8
146E-2634-2000	230 VAC	K t/c	138°C	Low Limit	Manual Reset	8A Relay	Fixed	DIN Rail	LF E6LY 0138 AAAA A	6, 8
146E-2634-3000	230 VAC	K t/c	280°F	High Limit	Auto Reset	8A Relay	Fixed	DIN Rail	LF E6KW 0280 AAAA A	6, 8
146E-2634-3000	230 VAC	K t/c	138°C	High Limit	Auto Reset	8A Relay	Fixed	DIN Rail	LF E6LW 0138 AAAA A	6, 8

Series 146

Series 146	Line Voltage	Input	Temp Range	Control Mode	Action	Output	Set Point	Mounting	Retrofit control	See Notes Below
146E-2634-4000	230 VAC	K t/c	280°F	Low Limit	Auto Reset	8A Relay	Fixed	DIN Rail	LF E6KZ 0280 AAAA A	6, 8
146E-2634-4000	230 VAC	K t/c	138°C	Low Limit	Auto Reset	8A Relay	Fixed	DIN Rail	LF E6LZ 0138 AAAA A	6, 8
146E-2637-1000	230 VAC	K t/c	450°F	High Limit	Manual Reset	8A Relay	Fixed	DIN Rail	LF E6KU 0450 AAAA A	6, 8
146E-2637-1000	230 VAC	K t/c	232°C	High Limit	Manual Reset	8A Relay	Fixed	DIN Rail	LF E6LU 0232 AAAA A	6, 8
146E-2637-2000	230 VAC	K t/c	450°F	Low Limit	Manual Reset	8A Relay	Fixed	DIN Rail	LF E6KY 0450 AAAA A	6, 8
146E-2637-2000	230 VAC	K t/c	232°C	Low Limit	Manual Reset	8A Relay	Fixed	DIN Rail	LF E6LY 0232 AAAA A	6, 8
146E-2637-3000	230 VAC	K t/c	450°F	High Limit	Auto Reset	8A Relay	Fixed	DIN Rail	LF E6KW 0450 AAAA A	6, 8
146E-2637-3000	230 VAC	K t/c	232°C	High Limit	Auto Reset	8A Relay	Fixed	DIN Rail	LF E6LW 0232 AAAA A	6, 8
146E-2637-4000	230 VAC	K t/c	450°F	Low Limit	Auto Reset	8A Relay	Fixed	DIN Rail	LF E6KZ 0450 AAAA A	6, 8
146E-2637-4000	230 VAC	K t/c	232°C	Low Limit	Auto Reset	8A Relay	Fixed	DIN Rail	LF E6LZ 0232 AAAA A	6, 8
146E-2E1C-1100	230 VAC	E t/c	0 to 799°C	High Limit	Manual Reset	10A Relay	Integral	DIN Rail	LV E6TU 0000 0799 A	3, 6
146E-2E1C-1200	230 VAC	E t/c	0 to 799°C	High Limit	Manual Reset	10A Relay	Remote	DIN Rail	LV E5TU 0000 0799 A	2, 3, 6
146E-2E1C-2100	230 VAC	E t/c	0 to 799°C	Low Limit	Manual Reset	10A Relay	Integral	DIN Rail	LV E6TY 0000 0799 A	3, 6
146E-2E1C-2200	230 VAC	E t/c	0 to 799°C	Low Limit	Manual Reset	10A Relay	Remote	DIN Rail	LV E5TY 0000 0799 A	2, 3, 6
146E-2E1C-3100	230 VAC	E t/c	0 to 799°C	High Limit	Auto Reset	10A Relay	Integral	DIN Rail	LV E6TW 0000 0799 A	3, 6
146E-2E1C-3200	230 VAC	E t/c	0 to 799°C	High Limit	Auto Reset	10A Relay	Remote	DIN Rail	LV E5TW 0000 0799 A	2, 3, 6
146E-2E1C-4100	230 VAC	E t/c	0 to 799°C	Low Limit	Auto Reset	10A Relay	Integral	DIN Rail	LV E6TZ 0000 0799 A	3, 6
146E-2E1C-4200	230 VAC	E t/c	0 to 799°C	Low Limit	Auto Reset	10A Relay	Remote	DIN Rail	LV E5TZ 0000 0799 A	2, 3, 6
146E-2E1D-1100	230 VAC	E t/c	32 to 1470°F	High Limit	Manual Reset	10A Relay	Integral	DIN Rail	LV E6SU 0032 1470 A	3, 6, 8
146E-2E1D-1100	230 VAC	E t/c	0 to 799°C	High Limit	Manual Reset	10A Relay	Integral	DIN Rail	LV E6TU 0000 0799 A	3, 6, 8
146E-2E1D-1200	230 VAC	E t/c	32 to 1470°F	High Limit	Manual Reset	10A Relay	Remote	DIN Rail	LV E5SU 0032 1470 A	2, 3, 6, 8
146E-2E1D-1200	230 VAC	E t/c	0 to 799°C	High Limit	Manual Reset	10A Relay	Remote	DIN Rail	LV E5TU 0000 0799 A	2, 3, 6, 8
146E-2E1D-2100	230 VAC	E t/c	32 to 1470°F	Low Limit	Manual Reset	10A Relay	Integral	DIN Rail	LV E6SY 0032 1470 A	3, 6, 8
146E-2E1D-2100	230 VAC	E t/c	0 to 799°C	Low Limit	Manual Reset	10A Relay	Integral	DIN Rail	LV E6TY 0000 0799 A	3, 6, 8
146E-2E1D-2200	230 VAC	E t/c	32 to 1470°F	Low Limit	Manual Reset	10A Relay	Remote	DIN Rail	LV E5SY 0032 1470 A	2, 3, 6, 8
146E-2E1D-2200	230 VAC	E t/c	0 to 799°C	Low Limit	Manual Reset	10A Relay	Remote	DIN Rail	LV E5TY 0000 0799 A	2, 3, 6, 8
146E-2E1D-3100	230 VAC	E t/c	32 to 1470°F	High Limit	Auto Reset	10A Relay	Integral	DIN Rail	LV E6SW 0032 1470 A	3, 6, 8
146E-2E1D-3100	230 VAC	E t/c	0 to 799°C	High Limit	Auto Reset	10A Relay	Integral	DIN Rail	LV E6TW 0000 0799 A	3, 6, 8
146E-2E1D-3200	230 VAC	E t/c	32 to 1470°F	High Limit	Auto Reset	10A Relay	Remote	DIN Rail	LV E5SW 0032 1470 A	2, 3, 6, 8
146E-2E1D-3200	230 VAC	E t/c	0 to 799°C	High Limit	Auto Reset	10A Relay	Remote	DIN Rail	LV E5TW 0000 0799 A	2, 3, 6, 8
146E-2E1D-4100	230 VAC	E t/c	32 to 1470°F	Low Limit	Auto Reset	10A Relay	Integral	DIN Rail	LV E6SZ 0032 1470 A	3, 6, 8
146E-2E1D-4100	230 VAC	E t/c	0 to 799°C	Low Limit	Auto Reset	10A Relay	Integral	DIN Rail	LV E6TZ 0000 0799 A	3, 6, 8
146E-2E1D-4200	230 VAC	E t/c	32 to 1470°F	Low Limit	Auto Reset	10A Relay	Remote	DIN Rail	LV E5SZ 0032 1470 A	2, 3, 6, 8
146E-2E1D-4200	230 VAC	E t/c	0 to 799°C	Low Limit	Auto Reset	10A Relay	Remote	DIN Rail	LV E5TZ 0000 0799 A	2, 3, 6, 8
146E-2E1F-1100	230 VAC	E t/c	32 to 1470°F	High Limit	Manual Reset	10A Relay	Integral	DIN Rail	LV E6SU 0032 1470 A	3, 6
146E-2E1F-1200	230 VAC	E t/c	32 to 1470°F	High Limit	Manual Reset	10A Relay	Remote	DIN Rail	LV E5SU 0032 1470 A	2, 3, 6
146E-2E1F-2100	230 VAC	E t/c	32 to 1470°F	Low Limit	Manual Reset	10A Relay	Integral	DIN Rail	LV E6SY 0032 1470 A	3, 6
146E-2E1F-2200	230 VAC	E t/c	32 to 1470°F	Low Limit	Manual Reset	10A Relay	Remote	DIN Rail	LV E5SY 0032 1470 A	2, 3, 6
146E-2E1F-3100	230 VAC	E t/c	32 to 1470°F	High Limit	Auto Reset	10A Relay	Integral	DIN Rail	LV E6SW 0032 1470 A	3, 6
146E-2E1F-3200	230 VAC	E t/c	32 to 1470°F	High Limit	Auto Reset	10A Relay	Remote	DIN Rail	LV E5SW 0032 1470 A	2, 3, 6
146E-2E1F-4100	230 VAC	E t/c	32 to 1470°F	Low Limit	Auto Reset	10A Relay	Integral	DIN Rail	LV E6SZ 0032 1470 A	3, 6

Series 146

Series 146	Line Voltage	Input	Temp Range	Control Mode	Action	Output	Set Point	Mounting	Retrofit control	See Notes Below
146E-2E1F-4200	230 VAC	E t/c	32 to 1470°F	Low Limit	Auto Reset	10A Relay	Remote	DIN Rail	LV E5SZ 0032 1470 A	2, 3, 6
146E-2J1C-1100	230 VAC	J t/c	0 to 315°C	High Limit	Manual Reset	10A Relay	Integral	DIN Rail	LV E6JU 0000 0315 A	3, 6
146E-2J1C-1200	230 VAC	J t/c	0 to 315°C	High Limit	Manual Reset	10A Relay	Remote	DIN Rail	LV E5JU 0000 0315 A	2, 3, 6
146E-2J1C-2100	230 VAC	J t/c	0 to 315°C	Low Limit	Manual Reset	10A Relay	Integral	DIN Rail	LV E6JY 0000 0315 A	3, 6
146E-2J1C-2200	230 VAC	J t/c	0 to 315°C	Low Limit	Manual Reset	10A Relay	Remote	DIN Rail	LV E5JY 0000 0315 A	2, 3, 6
146E-2J1C-3100	230 VAC	J t/c	0 to 315°C	High Limit	Auto Reset	10A Relay	Integral	DIN Rail	LV E6JW 0000 0315 A	3, 6
146E-2J1C-3200	230 VAC	J t/c	0 to 315°C	High Limit	Auto Reset	10A Relay	Remote	DIN Rail	LV E5JW 0000 0315 A	2, 3, 6
146E-2J1C-4100	230 VAC	J t/c	0 to 315°C	Low Limit	Auto Reset	10A Relay	Integral	DIN Rail	LV E6JZ 0000 0315 A	3, 6
146E-2J1C-4200	230 VAC	J t/c	0 to 315°C	Low Limit	Auto Reset	10A Relay	Remote	DIN Rail	LV E5JZ 0000 0315 A	2, 3, 6
146E-2J1D-1100	230 VAC	J t/c	32 to 600°F	High Limit	Manual Reset	10A Relay	Integral	DIN Rail	LV E6HU 0032 0600 A	3, 6, 8
146E-2J1D-1100	230 VAC	J t/c	0 to 315°C	High Limit	Manual Reset	10A Relay	Integral	DIN Rail	LV E6JU 0000 0315 A	3, 6, 8
146E-2J1D-1200	230 VAC	J t/c	32 to 600°F	High Limit	Manual Reset	10A Relay	Remote	DIN Rail	LV E5HU 0032 0600 A	2, 3, 6, 8
146E-2J1D-1200	230 VAC	J t/c	0 to 315°C	High Limit	Manual Reset	10A Relay	Remote	DIN Rail	LV E5JU 0000 0315 A	2, 3, 6, 8
146E-2J1D-2100	230 VAC	J t/c	32 to 600°F	Low Limit	Manual Reset	10A Relay	Integral	DIN Rail	LV E6HY 0032 0600 A	3, 6, 8
146E-2J1D-2100	230 VAC	J t/c	0 to 315°C	Low Limit	Manual Reset	10A Relay	Integral	DIN Rail	LV E6JY 0000 0315 A	3, 6, 8
146E-2J1D-2200	230 VAC	J t/c	32 to 600°F	Low Limit	Manual Reset	10A Relay	Remote	DIN Rail	LV E5HY 0032 0600 A	2, 3, 6, 8
146E-2J1D-2200	230 VAC	J t/c	0 to 315°C	Low Limit	Manual Reset	10A Relay	Remote	DIN Rail	LV E5JY 0000 0315 A	2, 3, 6, 8
146E-2J1D-3100	230 VAC	J t/c	32 to 600°F	High Limit	Auto Reset	10A Relay	Integral	DIN Rail	LV E6HW 0032 0600 A	3, 6, 8
146E-2J1D-3100	230 VAC	J t/c	0 to 315°C	High Limit	Auto Reset	10A Relay	Integral	DIN Rail	LV E6JW 0000 0315 A	3, 6, 8
146E-2J1D-3200	230 VAC	J t/c	32 to 600°F	High Limit	Auto Reset	10A Relay	Remote	DIN Rail	LV E5HW 0032 0600 A	2, 3, 6, 8
146E-2J1D-3200	230 VAC	J t/c	0 to 315°C	High Limit	Auto Reset	10A Relay	Remote	DIN Rail	LV E5JW 0000 0315 A	2, 3, 6, 8
146E-2J1D-4100	230 VAC	J t/c	32 to 600°F	Low Limit	Auto Reset	10A Relay	Integral	DIN Rail	LV E6HZ 0032 0600 A	3, 6, 8
146E-2J1D-4100	230 VAC	J t/c	0 to 315°C	Low Limit	Auto Reset	10A Relay	Integral	DIN Rail	LV E6JZ 0000 0315 A	3, 6, 8
146E-2J1D-4200	230 VAC	J t/c	32 to 600°F	Low Limit	Auto Reset	10A Relay	Remote	DIN Rail	LV E5HZ 0032 0600 A	2, 3, 6, 8
146E-2J1D-4200	230 VAC	J t/c	0 to 315°C	Low Limit	Auto Reset	10A Relay	Remote	DIN Rail	LV E5JZ 0000 0315 A	2, 3, 6, 8
146E-2J1F-1100	230 VAC	J t/c	32 to 600°F	High Limit	Manual Reset	10A Relay	Integral	DIN Rail	LV E6HU 0032 0600 A	3, 6
146E-2J1F-1200	230 VAC	J t/c	32 to 600°F	High Limit	Manual Reset	10A Relay	Remote	DIN Rail	LV E5HU 0032 0600 A	2, 3, 6
146E-2J1F-2100	230 VAC	J t/c	32 to 600°F	Low Limit	Manual Reset	10A Relay	Integral	DIN Rail	LV E6HY 0032 0600 A	3, 6
146E-2J1F-2200	230 VAC	J t/c	32 to 600°F	Low Limit	Manual Reset	10A Relay	Remote	DIN Rail	LV E5HY 0032 0600 A	2, 3, 6
146E-2J1F-3100	230 VAC	J t/c	32 to 600°F	High Limit	Auto Reset	10A Relay	Integral	DIN Rail	LV E6HW 0032 0600 A	3, 6
146E-2J1F-3200	230 VAC	J t/c	32 to 600°F	High Limit	Auto Reset	10A Relay	Remote	DIN Rail	LV E5HW 0032 0600 A	2, 3, 6
146E-2J1F-4100	230 VAC	J t/c	32 to 600°F	Low Limit	Auto Reset	10A Relay	Integral	DIN Rail	LV E6HZ 0032 0600 A	3, 6
146E-2J1F-4200	230 VAC	J t/c	32 to 600°F	Low Limit	Auto Reset	10A Relay	Remote	DIN Rail	LV E5HZ 0032 0600 A	2, 3, 6
146E-2J2C-1100	230 VAC	J t/c	0 to 750°C	High Limit	Manual Reset	10A Relay	Integral	DIN Rail	LV E6JU 0000 0750 A	3, 6
146E-2J2C-1200	230 VAC	J t/c	0 to 750°C	High Limit	Manual Reset	10A Relay	Remote	DIN Rail	LV E5JU 0000 0750 A	2, 3, 6
146E-2J2C-2100	230 VAC	J t/c	0 to 750°C	Low Limit	Manual Reset	10A Relay	Integral	DIN Rail	LV E6JY 0000 0750 A	3, 6
146E-2J2C-2200	230 VAC	J t/c	0 to 750°C	Low Limit	Manual Reset	10A Relay	Remote	DIN Rail	LV E5JY 0000 0750 A	2, 3, 6
146E-2J2C-3100	230 VAC	J t/c	0 to 750°C	High Limit	Auto Reset	10A Relay	Integral	DIN Rail	LV E6JW 0000 0750 A	3, 6
146E-2J2C-3200	230 VAC	J t/c	0 to 750°C	High Limit	Auto Reset	10A Relay	Remote	DIN Rail	LV E5JW 0000 0750 A	2, 3, 6
146E-2J2C-4100	230 VAC	J t/c	0 to 750°C	Low Limit	Auto Reset	10A Relay	Integral	DIN Rail	LV E6JZ 0000 0750 A	3, 6
146E-2J2C-4200	230 VAC	J t/c	0 to 750°C	Low Limit	Auto Reset	10A Relay	Remote	DIN Rail	LV E5JZ 0000 0750 A	2, 3, 6

Series 146

Series 146	Line Voltage	Input	Temp Range	Control Mode	Action	Output	Set Point	Mounting	Retrofit control	See Notes Below
146E-2J2D-1100	230 VAC	J t/c	32 to 1382°F	High Limit	Manual Reset	10A Relay	Integral	DIN Rail	LV E6HU 0032 1382 A	3, 6, 8
146E-2J2D-1100	230 VAC	J t/c	0 to 750°C	High Limit	Manual Reset	10A Relay	Integral	DIN Rail	LV E6JU 0000 0750 A	3, 6, 8
146E-2J2D-1200	230 VAC	J t/c	32 to 1382°F	High Limit	Manual Reset	10A Relay	Remote	DIN Rail	LV E5HU 0032 1382 A	2, 3, 6, 8
146E-2J2D-1200	230 VAC	J t/c	0 to 750°C	High Limit	Manual Reset	10A Relay	Remote	DIN Rail	LV E5JU 0000 0750 A	2, 3, 6, 8
146E-2J2D-2100	230 VAC	J t/c	32 to 1382°F	Low Limit	Manual Reset	10A Relay	Integral	DIN Rail	LV E6HY 0032 1382 A	3, 6, 8
146E-2J2D-2100	230 VAC	J t/c	0 to 750°C	Low Limit	Manual Reset	10A Relay	Integral	DIN Rail	LV E6JY 0000 0750 A	3, 6, 8
146E-2J2D-2200	230 VAC	J t/c	32 to 1382°F	Low Limit	Manual Reset	10A Relay	Remote	DIN Rail	LV E5HY 0032 1382 A	2, 3, 6, 8
146E-2J2D-2200	230 VAC	J t/c	0 to 750°C	Low Limit	Manual Reset	10A Relay	Remote	DIN Rail	LV E5JY 0000 0750 A	2, 3, 6, 8
146E-2J2D-3100	230 VAC	J t/c	32 to 1382°F	High Limit	Auto Reset	10A Relay	Integral	DIN Rail	LV E6HW 0032 1382 A	3, 6, 8
146E-2J2D-3100	230 VAC	J t/c	0 to 750°C	High Limit	Auto Reset	10A Relay	Integral	DIN Rail	LV E6JW 0000 0750 A	3, 6, 8
146E-2J2D-3200	230 VAC	J t/c	32 to 1382°F	High Limit	Auto Reset	10A Relay	Remote	DIN Rail	LV E5HW 0032 1382 A	2, 3, 6, 8
146E-2J2D-3200	230 VAC	J t/c	0 to 750°C	High Limit	Auto Reset	10A Relay	Remote	DIN Rail	LV E5JW 0000 0750 A	2, 3, 6, 8
146E-2J2D-4100	230 VAC	J t/c	32 to 1382°F	Low Limit	Auto Reset	10A Relay	Integral	DIN Rail	LV E6HZ 0032 1382 A	3, 6, 8
146E-2J2D-4100	230 VAC	J t/c	0 to 750°C	Low Limit	Auto Reset	10A Relay	Integral	DIN Rail	LV E6JZ 0000 0750 A	3, 6, 8
146E-2J2D-4200	230 VAC	J t/c	32 to 1382°F	Low Limit	Auto Reset	10A Relay	Remote	DIN Rail	LV E5HZ 0032 1382 A	2, 3, 6, 8
146E-2J2D-4200	230 VAC	J t/c	0 to 750°C	Low Limit	Auto Reset	10A Relay	Remote	DIN Rail	LV E5JZ 0000 0750 A	2, 3, 6, 8
146E-2J2F-1100	230 VAC	J t/c	32 to 1382°F	High Limit	Manual Reset	10A Relay	Integral	DIN Rail	LV E6HU 0032 1382 A	3, 6
146E-2J2F-1200	230 VAC	J t/c	32 to 1382°F	High Limit	Manual Reset	10A Relay	Remote	DIN Rail	LV E5HU 0032 1382 A	2, 3, 6
146E-2J2F-2100	230 VAC	J t/c	32 to 1382°F	Low Limit	Manual Reset	10A Relay	Integral	DIN Rail	LV E6HY 0032 1382 A	3, 6
146E-2J2F-2200	230 VAC	J t/c	32 to 1382°F	Low Limit	Manual Reset	10A Relay	Remote	DIN Rail	LV E5HY 0032 1382 A	2, 3, 6
146E-2J2F-3100	230 VAC	J t/c	32 to 1382°F	High Limit	Auto Reset	10A Relay	Integral	DIN Rail	LV E6HW 0032 1382 A	3, 6
146E-2J2F-3200	230 VAC	J t/c	32 to 1382°F	High Limit	Auto Reset	10A Relay	Remote	DIN Rail	LV E5HW 0032 1382 A	2, 3, 6
146E-2J2F-4100	230 VAC	J t/c	32 to 1382°F	Low Limit	Auto Reset	10A Relay	Integral	DIN Rail	LV E6HZ 0032 1382 A	3, 6
146E-2J2F-4200	230 VAC	J t/c	32 to 1382°F	Low Limit	Auto Reset	10A Relay	Remote	DIN Rail	LV E5HZ 0032 1382 A	2, 3, 6
146E-2J3C-1100	230 VAC	J t/c	149 to 427°C	High Limit	Manual Reset	10A Relay	Integral	DIN Rail	LV E6JU 0149 0427 A	3, 6
146E-2J3C-1200	230 VAC	J t/c	149 to 427°C	High Limit	Manual Reset	10A Relay	Remote	DIN Rail	LV E5JU 0149 0427 A	2, 3, 6
146E-2J3C-2100	230 VAC	J t/c	149 to 427°C	Low Limit	Manual Reset	10A Relay	Integral	DIN Rail	LV E6JY 0149 0427 A	3, 6
146E-2J3C-2200	230 VAC	J t/c	149 to 427°C	Low Limit	Manual Reset	10A Relay	Remote	DIN Rail	LV E5JY 0149 0427 A	2, 3, 6
146E-2J3C-3100	230 VAC	J t/c	149 to 427°C	High Limit	Auto Reset	10A Relay	Integral	DIN Rail	LV E6JW 0149 0427 A	3, 6
146E-2J3C-3200	230 VAC	J t/c	149 to 427°C	High Limit	Auto Reset	10A Relay	Remote	DIN Rail	LV E5JW 0149 0427 A	2, 3, 6
146E-2J3C-4100	230 VAC	J t/c	149 to 427°C	Low Limit	Auto Reset	10A Relay	Integral	DIN Rail	LV E6JZ 0149 0427 A	3, 6
146E-2J3C-4200	230 VAC	J t/c	149 to 427°C	Low Limit	Auto Reset	10A Relay	Remote	DIN Rail	LV E5JZ 0149 0427 A	2, 3, 6
146E-2J3D-1100	230 VAC	J t/c	300 to 800°F	High Limit	Manual Reset	10A Relay	Integral	DIN Rail	LV E6HU 0300 0800 A	3, 6, 8
146E-2J3D-1100	230 VAC	J t/c	149 to 427°C	High Limit	Manual Reset	10A Relay	Integral	DIN Rail	LV E6JU 0149 0427 A	3, 6, 8
146E-2J3D-1200	230 VAC	J t/c	300 to 800°F	High Limit	Manual Reset	10A Relay	Remote	DIN Rail	LV E5HU 0300 0800 A	2, 3, 6, 8
146E-2J3D-1200	230 VAC	J t/c	149 to 427°C	High Limit	Manual Reset	10A Relay	Remote	DIN Rail	LV E5JU 0149 0427 A	2, 3, 6, 8
146E-2J3D-2100	230 VAC	J t/c	300 to 800°F	Low Limit	Manual Reset	10A Relay	Integral	DIN Rail	LV E6HY 0300 0800 A	3, 6, 8
146E-2J3D-2100	230 VAC	J t/c	149 to 427°C	Low Limit	Manual Reset	10A Relay	Integral	DIN Rail	LV E6JY 0149 0427 A	3, 6, 8
146E-2J3D-2200	230 VAC	J t/c	300 to 800°F	Low Limit	Manual Reset	10A Relay	Remote	DIN Rail	LV E5HY 0300 0800 A	2, 3, 6, 8
146E-2J3D-2200	230 VAC	J t/c	149 to 427°C	Low Limit	Manual Reset	10A Relay	Remote	DIN Rail	LV E5JY 0149 0427 A	2, 3, 6, 8
146E-2J3D-3100	230 VAC	J t/c	300 to 800°F	High Limit	Auto Reset	10A Relay	Integral	DIN Rail	LV E6HW0300 0800 A	3, 6, 8

Series 146

Series 146	Line Voltage	Input	Temp Range	Control Mode	Action	Output	Set Point	Mounting	Retrofit control	See Notes Below
146E-2J3D-3100	230 VAC	J t/c	149 to 427°C	High Limit	Auto Reset	10A Relay	Integral	DIN Rail	LV E6JW 0149 0427 A	3, 6, 8
146E-2J3D-3200	230 VAC	J t/c	300 to 800°F	High Limit	Auto Reset	10A Relay	Remote	DIN Rail	LV E5HW 0300 0800 A	2, 3, 6, 8
146E-2J3D-3200	230 VAC	J t/c	149 to 427°C	High Limit	Auto Reset	10A Relay	Remote	DIN Rail	LV E5JW 0149 0427 A	2, 3, 6, 8
146E-2J3D-4100	230 VAC	J t/c	300 to 800°F	Low Limit	Auto Reset	10A Relay	Integral	DIN Rail	LV E6HZ 0300 0800 A	3, 6, 8
146E-2J3D-4100	230 VAC	J t/c	149 to 427°C	Low Limit	Auto Reset	10A Relay	Integral	DIN Rail	LV E6JZ 0149 0427 A	3, 6, 8
146E-2J3D-4200	230 VAC	J t/c	300 to 800°F	Low Limit	Auto Reset	10A Relay	Remote	DIN Rail	LV E5HZ 0300 0800 A	2, 3, 6, 8
146E-2J3D-4200	230 VAC	J t/c	149 to 427°C	Low Limit	Auto Reset	10A Relay	Remote	DIN Rail	LV E5JZ 0149 0427 A	2, 3, 6, 8
146E-2J3F-1100	230 VAC	J t/c	300 to 800°F	High Limit	Manual Reset	10A Relay	Integral	DIN Rail	LV E6HU 0300 0800 A	3, 6
146E-2J3F-1200	230 VAC	J t/c	300 to 800°F	High Limit	Manual Reset	10A Relay	Remote	DIN Rail	LV E5HU 0300 0800 A	2, 3, 6
146E-2J3F-2100	230 VAC	J t/c	300 to 800°F	Low Limit	Manual Reset	10A Relay	Integral	DIN Rail	LV E6HY 0300 0800 A	3, 6
146E-2J3F-2200	230 VAC	J t/c	300 to 800°F	Low Limit	Manual Reset	10A Relay	Remote	DIN Rail	LV E5HY 0300 0800 A	2, 3, 6
146E-2J3F-3100	230 VAC	J t/c	300 to 800°F	High Limit	Auto Reset	10A Relay	Integral	DIN Rail	LV E6HW0300 0800 A	3, 6
146E-2J3F-3200	230 VAC	J t/c	300 to 800°F	High Limit	Auto Reset	10A Relay	Remote	DIN Rail	LV E5HW 0300 0800 A	2, 3, 6
146E-2J3F-4100	230 VAC	J t/c	300 to 800°F	Low Limit	Auto Reset	10A Relay	Integral	DIN Rail	LV E6HZ 0300 0800 A	3, 6
146E-2J3F-4200	230 VAC	J t/c	300 to 800°F	Low Limit	Auto Reset	10A Relay	Remote	DIN Rail	LV E5HZ 0300 0800 A	2, 3, 6
146E-2J4C-1100	230 VAC	J t/c	-18 to 93°C	High Limit	Manual Reset	10A Relay	Integral	DIN Rail	LV E6JU -018 0093 A	3, 6
146E-2J4C-1200	230 VAC	J t/c	-18 to 93°C	High Limit	Manual Reset	10A Relay	Remote	DIN Rail	LV E5JU -018 0093 A	2, 3, 6
146E-2J4C-2100	230 VAC	J t/c	-18 to 93°C	Low Limit	Manual Reset	10A Relay	Integral	DIN Rail	LV E6JY -018 0093 A	3, 6
146E-2J4C-2200	230 VAC	J t/c	-18 to 93°C	Low Limit	Manual Reset	10A Relay	Remote	DIN Rail	LV E5JY -018 0093 A	2, 3, 6
146E-2J4C-3100	230 VAC	J t/c	-18 to 93°C	High Limit	Auto Reset	10A Relay	Integral	DIN Rail	LV E6JW -018 0093 A	3, 6
146E-2J4C-3200	230 VAC	J t/c	-18 to 93°C	High Limit	Auto Reset	10A Relay	Remote	DIN Rail	LV E5JW -018 0093 A	2, 3, 6
146E-2J4C-4100	230 VAC	J t/c	-18 to 93°C	Low Limit	Auto Reset	10A Relay	Integral	DIN Rail	LV E6JZ -018 0093 A	3, 6
146E-2J4C-4200	230 VAC	J t/c	-18 to 93°C	Low Limit	Auto Reset	10A Relay	Remote	DIN Rail	LV E5JZ -018 0093 A	2, 3, 6
146E-2J4D-1100	230 VAC	J t/c	0 to 200°F	High Limit	Manual Reset	10A Relay	Integral	DIN Rail	LV E6HU 0000 0200 A	3, 6, 8
146E-2J4D-1100	230 VAC	J t/c	-18 to 93°C	High Limit	Manual Reset	10A Relay	Integral	DIN Rail	LV E6JU -018 0093 A	3, 6, 8
146E-2J4D-1200	230 VAC	J t/c	0 to 200°F	High Limit	Manual Reset	10A Relay	Remote	DIN Rail	LV E5HU 0000 0200 A	2, 3, 6, 8
146E-2J4D-1200	230 VAC	J t/c	-18 to 93°C	High Limit	Manual Reset	10A Relay	Remote	DIN Rail	LV E5JU -018 0093 A	2, 3, 6, 8
146E-2J4D-2100	230 VAC	J t/c	0 to 200°F	Low Limit	Manual Reset	10A Relay	Integral	DIN Rail	LV E6HY 0000 0200 A	3, 6, 8
146E-2J4D-2100	230 VAC	J t/c	-18 to 93°C	Low Limit	Manual Reset	10A Relay	Integral	DIN Rail	LV E6JY -018 0093 A	3, 6, 8
146E-2J4D-2200	230 VAC	J t/c	0 to 200°F	Low Limit	Manual Reset	10A Relay	Remote	DIN Rail	LV E5HY 0000 0200 A	2, 3, 6, 8
146E-2J4D-2200	230 VAC	J t/c	-18 to 93°C	Low Limit	Manual Reset	10A Relay	Remote	DIN Rail	LV E5JY -018 0093 A	2, 3, 6, 8
146E-2J4D-3100	230 VAC	J t/c	0 to 200°F	High Limit	Auto Reset	10A Relay	Integral	DIN Rail	LV E6HW 0000 0200 A	3, 6, 8
146E-2J4D-3100	230 VAC	J t/c	-18 to 93°C	High Limit	Auto Reset	10A Relay	Integral	DIN Rail	LV E6JW -018 0093 A	3, 6, 8
146E-2J4D-3200	230 VAC	J t/c	0 to 200°F	High Limit	Auto Reset	10A Relay	Remote	DIN Rail	LV E5HW 0000 0200 A	2, 3, 6, 8
146E-2J4D-3200	230 VAC	J t/c	-18 to 93°C	High Limit	Auto Reset	10A Relay	Remote	DIN Rail	LV E5JW -018 0093 A	2, 3, 6, 8
146E-2J4D-4100	230 VAC	J t/c	0 to 200°F	Low Limit	Auto Reset	10A Relay	Integral	DIN Rail	LV E6HZ 0000 0200 A	3, 6, 8
146E-2J4D-4100	230 VAC	J t/c	-18 to 93°C	Low Limit	Auto Reset	10A Relay	Integral	DIN Rail	LV E6JZ -018 0093 A	3, 6, 8
146E-2J4D-4200	230 VAC	J t/c	0 to 200°F	Low Limit	Auto Reset	10A Relay	Remote	DIN Rail	LV E5HZ 0000 0200 A	2, 3, 6, 8
146E-2J4D-4200	230 VAC	J t/c	-18 to 93°C	Low Limit	Auto Reset	10A Relay	Remote	DIN Rail	LV E5JZ -018 0093 A	2, 3, 6, 8
146E-2J4F-1100	230 VAC	J t/c	0 to 200°F	High Limit	Manual Reset	10A Relay	Integral	DIN Rail	LV E6HU 0000 0200 A	3, 6
146E-2J4F-1200	230 VAC	J t/c	0 to 200°F	High Limit	Manual Reset	10A Relay	Remote	DIN Rail	LV E5HU 0000 0200 A	2, 3, 6

Series 146

Series 146	Line Voltage	Input	Temp Range	Control Mode	Action	Output	Set Point	Mounting	Retrofit control	See Notes Below
146E-2J4F-2100	230 VAC	J t/c	0 to 200°F	Low Limit	Manual Reset	10A Relay	Integral	DIN Rail	LV E6HY 0000 0200 A	3, 6
146E-2J4F-2200	230 VAC	J t/c	0 to 200°F	Low Limit	Manual Reset	10A Relay	Remote	DIN Rail	LV E5HY 0000 0200 A	2, 3, 6
146E-2J4F-3100	230 VAC	J t/c	0 to 200°F	High Limit	Auto Reset	10A Relay	Integral	DIN Rail	LV E6HW 0000 0200 A	3, 6
146E-2J4F-3200	230 VAC	J t/c	0 to 200°F	High Limit	Auto Reset	10A Relay	Remote	DIN Rail	LV E5HW 0000 0200 A	2, 3, 6
146E-2J4F-4100	230 VAC	J t/c	0 to 200°F	Low Limit	Auto Reset	10A Relay	Integral	DIN Rail	LV E6HZ 0000 0200 A	3, 6
146E-2J4F-4200	230 VAC	J t/c	0 to 200°F	Low Limit	Auto Reset	10A Relay	Remote	DIN Rail	LV E5HZ 0000 0200 A	2, 3, 6
146E-2J5C-1100	230 VAC	J t/c	43 to 54°C	High Limit	Manual Reset	10A Relay	Integral	DIN Rail	LV E6JU 0043 0054 A	3, 6
146E-2J5C-1200	230 VAC	J t/c	43 to 54°C	High Limit	Manual Reset	10A Relay	Remote	DIN Rail	LV E5JU 0043 0054 A	2, 3, 6
146E-2J5C-2100	230 VAC	J t/c	43 to 54°C	Low Limit	Manual Reset	10A Relay	Integral	DIN Rail	LV E6JY 0043 0054 A	3, 6
146E-2J5C-2200	230 VAC	J t/c	43 to 54°C	Low Limit	Manual Reset	10A Relay	Remote	DIN Rail	LV E5JY 0043 0054 A	2, 3, 6
146E-2J5C-3100	230 VAC	J t/c	43 to 54°C	High Limit	Auto Reset	10A Relay	Integral	DIN Rail	LV E6JW 0043 0054 A	3, 6
146E-2J5C-3200	230 VAC	J t/c	43 to 54°C	High Limit	Auto Reset	10A Relay	Remote	DIN Rail	LV E5JW 0043 0054 A	2, 3, 6
146E-2J5C-4100	230 VAC	J t/c	43 to 54°C	Low Limit	Auto Reset	10A Relay	Integral	DIN Rail	LV E6JZ 0043 0054 A	3, 6
146E-2J5C-4200	230 VAC	J t/c	43 to 54°C	Low Limit	Auto Reset	10A Relay	Remote	DIN Rail	LV E5JZ 0043 0054 A	2, 3, 6
146E-2J5D-1100	230 VAC	J t/c	110 to 130°F	High Limit	Manual Reset	10A Relay	Integral	DIN Rail	LV E6HU 0110 0130 A	3, 6, 8
146E-2J5D-1100	230 VAC	J t/c	43 to 54°C	High Limit	Manual Reset	10A Relay	Integral	DIN Rail	LV E6JU 0043 0054 A	3, 6, 8
146E-2J5D-1200	230 VAC	J t/c	110 to 130°F	High Limit	Manual Reset	10A Relay	Remote	DIN Rail	LV E5HU 0110 0130 A	2, 3, 6, 8
146E-2J5D-1200	230 VAC	J t/c	43 to 54°C	High Limit	Manual Reset	10A Relay	Remote	DIN Rail	LV E5JU 0043 0054 A	2, 3, 6, 8
146E-2J5D-2100	230 VAC	J t/c	110 to 130°F	Low Limit	Manual Reset	10A Relay	Integral	DIN Rail	LV E6HY 0110 0130 A	3, 6, 8
146E-2J5D-2100	230 VAC	J t/c	43 to 54°C	Low Limit	Manual Reset	10A Relay	Integral	DIN Rail	LV E6JY 0043 0054 A	3, 6, 8
146E-2J5D-2200	230 VAC	J t/c	110 to 130°F	Low Limit	Manual Reset	10A Relay	Remote	DIN Rail	LV E5HY 0110 0130 A	2, 3, 6, 8
146E-2J5D-2200	230 VAC	J t/c	43 to 54°C	Low Limit	Manual Reset	10A Relay	Remote	DIN Rail	LV E5JY 0043 0054 A	2, 3, 6, 8
146E-2J5D-3100	230 VAC	J t/c	110 to 130°F	High Limit	Auto Reset	10A Relay	Integral	DIN Rail	LV E6HW 0110 0130 A	3, 6, 8
146E-2J5D-3100	230 VAC	J t/c	43 to 54°C	High Limit	Auto Reset	10A Relay	Integral	DIN Rail	LV E6JW 0043 0054 A	3, 6, 8
146E-2J5D-3200	230 VAC	J t/c	110 to 130°F	High Limit	Auto Reset	10A Relay	Remote	DIN Rail	LV E5HW 0110 0130 A	2, 3, 6, 8
146E-2J5D-3200	230 VAC	J t/c	43 to 54°C	High Limit	Auto Reset	10A Relay	Remote	DIN Rail	LV E5JW 0043 0054 A	2, 3, 6, 8
146E-2J5D-4100	230 VAC	J t/c	110 to 130°F	Low Limit	Auto Reset	10A Relay	Integral	DIN Rail	LV E6HZ 0110 0130 A	3, 6, 8
146E-2J5D-4100	230 VAC	J t/c	43 to 54°C	Low Limit	Auto Reset	10A Relay	Integral	DIN Rail	LV E6JZ 0043 0054 A	3, 6, 8
146E-2J5D-4200	230 VAC	J t/c	110 to 130°F	Low Limit	Auto Reset	10A Relay	Remote	DIN Rail	LV E5HZ 0110 0130 A	2, 3, 6, 8
146E-2J5D-4200	230 VAC	J t/c	43 to 54°C	Low Limit	Auto Reset	10A Relay	Remote	DIN Rail	LV E5JZ 0043 0054 A	2, 3, 6, 8
146E-2J5F-1100	230 VAC	J t/c	110 to 130°F	High Limit	Manual Reset	10A Relay	Integral	DIN Rail	LV E6HU 0110 0130 A	3, 6
146E-2J5F-1200	230 VAC	J t/c	110 to 130°F	High Limit	Manual Reset	10A Relay	Remote	DIN Rail	LV E5HU 0110 0130 A	2, 3, 6
146E-2J5F-2100	230 VAC	J t/c	110 to 130°F	Low Limit	Manual Reset	10A Relay	Integral	DIN Rail	LV E6HY 0110 0130 A	3, 6
146E-2J5F-2200	230 VAC	J t/c	110 to 130°F	Low Limit	Manual Reset	10A Relay	Remote	DIN Rail	LV E5HY 0110 0130 A	2, 3, 6
146E-2J5F-3100	230 VAC	J t/c	110 to 130°F	High Limit	Auto Reset	10A Relay	Integral	DIN Rail	LV E6HW 0110 0130 A	3, 6
146E-2J5F-3200	230 VAC	J t/c	110 to 130°F	High Limit	Auto Reset	10A Relay	Remote	DIN Rail	LV E5HW 0110 0130 A	2, 3, 6
146E-2J5F-4100	230 VAC	J t/c	110 to 130°F	Low Limit	Auto Reset	10A Relay	Integral	DIN Rail	LV E6HZ 0110 0130 A	3, 6
146E-2J5F-4200	230 VAC	J t/c	110 to 130°F	Low Limit	Auto Reset	10A Relay	Remote	DIN Rail	LV E5HZ 0110 0130 A	2, 3, 6
146E-2K1C-1100	230 VAC	K t/c	0 to 1250°C	High Limit	Manual Reset	10A Relay	Integral	DIN Rail	LV E6LU 0000 1250 A	3, 6
146E-2K1C-1200	230 VAC	K t/c	0 to 1250°C	High Limit	Manual Reset	10A Relay	Remote	DIN Rail	LV E5LU 0000 1250 A	2, 3, 6
146E-2K1C-2100	230 VAC	K t/c	0 to 1250°C	Low Limit	Manual Reset	10A Relay	Integral	DIN Rail	LV E6LY 0000 1250 A	3, 6

Series 146

Series 146	Line Voltage	Input	Temp Range	Control Mode	Action	Output	Set Point	Mounting	Retrofit control	See Notes Below
146E-2K1C-2200	230 VAC	K t/c	0 to 1250°C	Low Limit	Manual Reset	10A Relay	Remote	DIN Rail	LV E5LY 0000 1250 A	2, 3, 6
146E-2K1C-3100	230 VAC	K t/c	0 to 1250°C	High Limit	Auto Reset	10A Relay	Integral	DIN Rail	LV E6LW 0000 1250 A	3, 6
146E-2K1C-3200	230 VAC	K t/c	0 to 1250°C	High Limit	Auto Reset	10A Relay	Remote	DIN Rail	LV E5LW 0000 1250 A	2, 3, 6
146E-2K1C-4100	230 VAC	K t/c	0 to 1250°C	Low Limit	Auto Reset	10A Relay	Integral	DIN Rail	LV E6LZ 0000 1250 A	3, 6
146E-2K1C-4200	230 VAC	K t/c	0 to 1250°C	Low Limit	Auto Reset	10A Relay	Remote	DIN Rail	LV E5LZ 0000 1250 A	2, 3, 6
146E-2K1D-1100	230 VAC	K t/c	32 to 2282°F	High Limit	Manual Reset	10A Relay	Integral	DIN Rail	LV E6KU 0032 2282 A	3, 6, 8
146E-2K1D-1100	230 VAC	K t/c	0 to 1250°C	High Limit	Manual Reset	10A Relay	Integral	DIN Rail	LV E6LU 0000 1250 A	3, 6, 8
146E-2K1D-1200	230 VAC	K t/c	32 to 2282°F	High Limit	Manual Reset	10A Relay	Remote	DIN Rail	LV E5KU 0032 2282 A	2, 3, 6, 8
146E-2K1D-1200	230 VAC	K t/c	0 to 1250°C	High Limit	Manual Reset	10A Relay	Remote	DIN Rail	LV E5LU 0000 1250 A	2, 3, 6, 8
146E-2K1D-2100	230 VAC	K t/c	32 to 2282°F	Low Limit	Manual Reset	10A Relay	Integral	DIN Rail	LV E6KY 0032 2282 A	3, 6, 8
146E-2K1D-2100	230 VAC	K t/c	0 to 1250°C	Low Limit	Manual Reset	10A Relay	Integral	DIN Rail	LV E6LY 0000 1250 A	3, 6, 8
146E-2K1D-2200	230 VAC	K t/c	32 to 2282°F	Low Limit	Manual Reset	10A Relay	Remote	DIN Rail	LV E5KY 0032 2282 A	2, 3, 6, 8
146E-2K1D-2200	230 VAC	K t/c	0 to 1250°C	Low Limit	Manual Reset	10A Relay	Remote	DIN Rail	LV E5LY 0000 1250 A	2, 3, 6, 8
146E-2K1D-3100	230 VAC	K t/c	32 to 2282°F	High Limit	Auto Reset	10A Relay	Integral	DIN Rail	LV E6KW 0032 2282 A	3, 6, 8
146E-2K1D-3100	230 VAC	K t/c	0 to 1250°C	High Limit	Auto Reset	10A Relay	Integral	DIN Rail	LV E6LW 0000 1250 A	3, 6, 8
146E-2K1D-3200	230 VAC	K t/c	32 to 2282°F	High Limit	Auto Reset	10A Relay	Remote	DIN Rail	LV E5KW 0032 2282 A	2, 3, 6, 8
146E-2K1D-3200	230 VAC	K t/c	0 to 1250°C	High Limit	Auto Reset	10A Relay	Remote	DIN Rail	LV E5LW 0000 1250 A	2, 3, 6, 8
146E-2K1D-4100	230 VAC	K t/c	32 to 2282°F	Low Limit	Auto Reset	10A Relay	Integral	DIN Rail	LV E6KZ 0032 2282 A	3, 6, 8
146E-2K1D-4100	230 VAC	K t/c	0 to 1250°C	Low Limit	Auto Reset	10A Relay	Integral	DIN Rail	LV E6LZ 0000 1250 A	3, 6, 8
146E-2K1D-4200	230 VAC	K t/c	32 to 2282°F	Low Limit	Auto Reset	10A Relay	Remote	DIN Rail	LV E5KZ 0032 2282 A	2, 3, 6, 8
146E-2K1D-4200	230 VAC	K t/c	0 to 1250°C	Low Limit	Auto Reset	10A Relay	Remote	DIN Rail	LV E5LZ 0000 1250 A	2, 3, 6, 8
146E-2K1F-1100	230 VAC	K t/c	32 to 2282°F	High Limit	Manual Reset	10A Relay	Integral	DIN Rail	LV E6KU 0032 2282 A	3, 6
146E-2K1F-1200	230 VAC	K t/c	32 to 2282°F	High Limit	Manual Reset	10A Relay	Remote	DIN Rail	LV E5KU 0032 2282 A	2, 3, 6
146E-2K1F-2100	230 VAC	K t/c	32 to 2282°F	Low Limit	Manual Reset	10A Relay	Integral	DIN Rail	LV E6KY 0032 2282 A	3, 6
146E-2K1F-2200	230 VAC	K t/c	32 to 2282°F	Low Limit	Manual Reset	10A Relay	Remote	DIN Rail	LV E5KY 0032 2282 A	2, 3, 6
146E-2K1F-3100	230 VAC	K t/c	32 to 2282°F	High Limit	Auto Reset	10A Relay	Integral	DIN Rail	LV E6KW 0032 2282 A	3, 6
146E-2K1F-3200	230 VAC	K t/c	32 to 2282°F	High Limit	Auto Reset	10A Relay	Remote	DIN Rail	LV E5KW 0032 2282 A	2, 3, 6
146E-2K1F-4100	230 VAC	K t/c	32 to 2282°F	Low Limit	Auto Reset	10A Relay	Integral	DIN Rail	LV E6KZ 0032 2282 A	3, 6
146E-2K1F-4200	230 VAC	K t/c	32 to 2282°F	Low Limit	Auto Reset	10A Relay	Remote	DIN Rail	LV E5KZ 0032 2282 A	2, 3, 6
146E-2K2C-1100	230 VAC	K t/c	16 to 149°C	High Limit	Manual Reset	10A Relay	Integral	DIN Rail	LV E6LU 0016 0149 A	3, 6
146E-2K2C-1200	230 VAC	K t/c	16 to 149°C	High Limit	Manual Reset	10A Relay	Remote	DIN Rail	LV E5LU 0016 0149 A	2, 3, 6
146E-2K2C-2100	230 VAC	K t/c	16 to 149°C	Low Limit	Manual Reset	10A Relay	Integral	DIN Rail	LV E6LY 0016 0149 A	3, 6
146E-2K2C-2200	230 VAC	K t/c	16 to 149°C	Low Limit	Manual Reset	10A Relay	Remote	DIN Rail	LV E5LY 0016 0149 A	2, 3, 6
146E-2K2C-3100	230 VAC	K t/c	16 to 149°C	High Limit	Auto Reset	10A Relay	Integral	DIN Rail	LV E6LW 0016 0149 A	3, 6
146E-2K2C-3200	230 VAC	K t/c	16 to 149°C	High Limit	Auto Reset	10A Relay	Remote	DIN Rail	LV E5LW 0016 0149 A	2, 3, 6
146E-2K2C-4100	230 VAC	K t/c	16 to 149°C	Low Limit	Auto Reset	10A Relay	Integral	DIN Rail	LV E6LZ 0016 0149 A	3, 6
146E-2K2C-4200	230 VAC	K t/c	16 to 149°C	Low Limit	Auto Reset	10A Relay	Remote	DIN Rail	LV E5LZ 0016 0149 A	2, 3, 6
146E-2K2D-1100	230 VAC	K t/c	60 to 300°F	High Limit	Manual Reset	10A Relay	Integral	DIN Rail	LV E6KU 0060 0300 A	3, 6, 8
146E-2K2D-1100	230 VAC	K t/c	16 to 149°C	High Limit	Manual Reset	10A Relay	Integral	DIN Rail	LV E6LU 0016 0149 A	3, 6, 8
146E-2K2D-1200	230 VAC	K t/c	60 to 300°F	High Limit	Manual Reset	10A Relay	Remote	DIN Rail	LV E5KU 0060 0300 A	2, 3, 6, 8
146E-2K2D-1200	230 VAC	K t/c	16 to 149°C	High Limit	Manual Reset	10A Relay	Remote	DIN Rail	LV E5LU 0016 0149 A	2, 3, 6, 8

Series 146

Series 146	Line Voltage	Input	Temp Range	Control Mode	Action	Output	Set Point	Mounting	Retrofit control	See Notes Below
146E-2K2D-2100	230 VAC	K t/c	60 to 300°F	Low Limit	Manual Reset	10A Relay	Integral	DIN Rail	LV E6KY 0060 0300 A	3, 6, 8
146E-2K2D-2100	230 VAC	K t/c	16 to 149°C	Low Limit	Manual Reset	10A Relay	Integral	DIN Rail	LV E6LY 0016 0149 A	3, 6, 8
146E-2K2D-2200	230 VAC	K t/c	60 to 300°F	Low Limit	Manual Reset	10A Relay	Remote	DIN Rail	LV E5KY 0060 0300 A	2, 3, 6, 8
146E-2K2D-2200	230 VAC	K t/c	16 to 149°C	Low Limit	Manual Reset	10A Relay	Remote	DIN Rail	LV E5LY 0016 0149 A	2, 3, 6, 8
146E-2K2D-3100	230 VAC	K t/c	60 to 300°F	High Limit	Auto Reset	10A Relay	Integral	DIN Rail	LV E6KW 0060 0300 A	3, 6, 8
146E-2K2D-3100	230 VAC	K t/c	16 to 149°C	High Limit	Auto Reset	10A Relay	Integral	DIN Rail	LV E6LW 0016 0149 A	3, 6, 8
146E-2K2D-3200	230 VAC	K t/c	60 to 300°F	High Limit	Auto Reset	10A Relay	Remote	DIN Rail	LV E5KW 0060 0300 A	2, 3, 6, 8
146E-2K2D-3200	230 VAC	K t/c	16 to 149°C	High Limit	Auto Reset	10A Relay	Remote	DIN Rail	LV E5LW 0016 0149 A	2, 3, 6, 8
146E-2K2D-4100	230 VAC	K t/c	60 to 300°F	Low Limit	Auto Reset	10A Relay	Integral	DIN Rail	LV E6KZ 0060 0300 A	3, 6, 8
146E-2K2D-4100	230 VAC	K t/c	16 to 149°C	Low Limit	Auto Reset	10A Relay	Integral	DIN Rail	LV E6LZ 0016 0149 A	3, 6, 8
146E-2K2D-4200	230 VAC	K t/c	60 to 300°F	Low Limit	Auto Reset	10A Relay	Remote	DIN Rail	LV E5KZ 0060 0300 A	2, 3, 6, 8
146E-2K2D-4200	230 VAC	K t/c	16 to 149°C	Low Limit	Auto Reset	10A Relay	Remote	DIN Rail	LV E5LZ 0016 0149 A	2, 3, 6, 8
146E-2K2F-1100	230 VAC	K t/c	60 to 300°F	High Limit	Manual Reset	10A Relay	Integral	DIN Rail	LV E6KU 0060 0300 A	3, 6
146E-2K2F-1200	230 VAC	K t/c	60 to 300°F	High Limit	Manual Reset	10A Relay	Remote	DIN Rail	LV E5KU 0060 0300 A	2, 3, 6
146E-2K2F-2100	230 VAC	K t/c	60 to 300°F	Low Limit	Manual Reset	10A Relay	Integral	DIN Rail	LV E6KY 0060 0300 A	3, 6
146E-2K2F-2200	230 VAC	K t/c	60 to 300°F	Low Limit	Manual Reset	10A Relay	Remote	DIN Rail	LV E5KY 0060 0300 A	2, 3, 6
146E-2K2F-3100	230 VAC	K t/c	60 to 300°F	High Limit	Auto Reset	10A Relay	Integral	DIN Rail	LV E6KW 0060 0300 A	3, 6
146E-2K2F-3200	230 VAC	K t/c	60 to 300°F	High Limit	Auto Reset	10A Relay	Remote	DIN Rail	LV E5KW 0060 0300 A	2, 3, 6
146E-2K2F-4100	230 VAC	K t/c	60 to 300°F	Low Limit	Auto Reset	10A Relay	Integral	DIN Rail	LV E6KZ 0060 0300 A	3, 6
146E-2K2F-4200	230 VAC	K t/c	60 to 300°F	Low Limit	Auto Reset	10A Relay	Remote	DIN Rail	LV E5KZ 0060 0300 A	2, 3, 6
146E-2K3C-1100	230 VAC	K t/c	0 to 600°C	High Limit	Manual Reset	10A Relay	Integral	DIN Rail	LV E6LU 0000 0600 A	3, 6
146E-2K3C-1200	230 VAC	K t/c	0 to 600°C	High Limit	Manual Reset	10A Relay	Remote	DIN Rail	LV E5LU 0000 0600 A	2, 3, 6
146E-2K3C-2100	230 VAC	K t/c	0 to 600°C	Low Limit	Manual Reset	10A Relay	Integral	DIN Rail	LV E6LY 0000 0600 A	3, 6
146E-2K3C-2200	230 VAC	K t/c	0 to 600°C	Low Limit	Manual Reset	10A Relay	Remote	DIN Rail	LV E5LY 0000 0600 A	2, 3, 6
146E-2K3C-3100	230 VAC	K t/c	0 to 600°C	High Limit	Auto Reset	10A Relay	Integral	DIN Rail	LV E6LW 0000 0600 A	3, 6
146E-2K3C-3200	230 VAC	K t/c	0 to 600°C	High Limit	Auto Reset	10A Relay	Remote	DIN Rail	LV E5LW 0000 0600 A	2, 3, 6
146E-2K3C-4100	230 VAC	K t/c	0 to 600°C	Low Limit	Auto Reset	10A Relay	Integral	DIN Rail	LV E6LZ 0000 0600 A	3, 6
146E-2K3C-4200	230 VAC	K t/c	0 to 600°C	Low Limit	Auto Reset	10A Relay	Remote	DIN Rail	LV E5LZ 0000 0600 A	2, 3, 6
146E-2K3D-1100	230 VAC	K t/c	32 to 1112°F	High Limit	Manual Reset	10A Relay	Integral	DIN Rail	LV E6KU 0032 1112 A	3, 6, 8
146E-2K3D-1100	230 VAC	K t/c	0 to 600°C	High Limit	Manual Reset	10A Relay	Integral	DIN Rail	LV E6LU 0000 0600 A	3, 6, 8
146E-2K3D-1200	230 VAC	K t/c	32 to 1112°F	High Limit	Manual Reset	10A Relay	Remote	DIN Rail	LV E5KU 0032 1112 A	2, 3, 6, 8
146E-2K3D-1200	230 VAC	K t/c	0 to 600°C	High Limit	Manual Reset	10A Relay	Remote	DIN Rail	LV E5LU 0000 0600 A	2, 3, 6, 8
146E-2K3D-2100	230 VAC	K t/c	32 to 1112°F	Low Limit	Manual Reset	10A Relay	Integral	DIN Rail	LV E6KY 0032 1112 A	3, 6, 8
146E-2K3D-2100	230 VAC	K t/c	0 to 600°C	Low Limit	Manual Reset	10A Relay	Integral	DIN Rail	LV E6LY 0000 0600 A	3, 6, 8
146E-2K3D-2200	230 VAC	K t/c	32 to 1112°F	Low Limit	Manual Reset	10A Relay	Remote	DIN Rail	LV E5KY 0032 1112 A	2, 3, 6, 8
146E-2K3D-2200	230 VAC	K t/c	0 to 600°C	Low Limit	Manual Reset	10A Relay	Remote	DIN Rail	LV E5LY 0000 0600 A	2, 3, 6, 8
146E-2K3D-3100	230 VAC	K t/c	32 to 1112°F	High Limit	Auto Reset	10A Relay	Integral	DIN Rail	LV E6KW 0032 1112 A	3, 6, 8
146E-2K3D-3100	230 VAC	K t/c	0 to 600°C	High Limit	Auto Reset	10A Relay	Integral	DIN Rail	LV E6LW 0000 0600 A	3, 6, 8
146E-2K3D-3200	230 VAC	K t/c	32 to 1112°F	High Limit	Auto Reset	10A Relay	Remote	DIN Rail	LV E5KW 0032 1112 A	2, 3, 6, 8
146E-2K3D-3200	230 VAC	K t/c	0 to 600°C	High Limit	Auto Reset	10A Relay	Remote	DIN Rail	LV E5LW 0000 0600 A	2, 3, 6, 8
146E-2K3D-4100	230 VAC	K t/c	32 to 1112°F	Low Limit	Auto Reset	10A Relay	Integral	DIN Rail	LV E6KZ 0032 1112 A	3, 6, 8

Series 146

Series 146	Line Voltage	Input	Temp Range	Control Mode	Action	Output	Set Point	Mounting	Retrofit control	See Notes Below
146E-2K3D-4100	230 VAC	K t/c	0 to 600°C	Low Limit	Auto Reset	10A Relay	Integral	DIN Rail	LV E6LZ 0000 0600 A	3, 6, 8
146E-2K3D-4200	230 VAC	K t/c	32 to 1112°F	Low Limit	Auto Reset	10A Relay	Remote	DIN Rail	LV E5KZ 0032 1112 A	2, 3, 6, 8
146E-2K3D-4200	230 VAC	K t/c	0 to 600°C	Low Limit	Auto Reset	10A Relay	Remote	DIN Rail	LV E5LZ 0000 0600 A	2, 3, 6, 8
146E-2K3F-1100	230 VAC	K t/c	32 to 1112°F	High Limit	Manual Reset	10A Relay	Integral	DIN Rail	LV E6KU 0032 1112 A	3, 6
146E-2K3F-1200	230 VAC	K t/c	32 to 1112°F	High Limit	Manual Reset	10A Relay	Remote	DIN Rail	LV E5KU 0032 1112 A	2, 3, 6
146E-2K3F-2100	230 VAC	K t/c	32 to 1112°F	Low Limit	Manual Reset	10A Relay	Integral	DIN Rail	LV E6KY 0032 1112 A	3, 6
146E-2K3F-2200	230 VAC	K t/c	32 to 1112°F	Low Limit	Manual Reset	10A Relay	Remote	DIN Rail	LV E5KY 0032 1112 A	2, 3, 6
146E-2K3F-3100	230 VAC	K t/c	32 to 1112°F	High Limit	Auto Reset	10A Relay	Integral	DIN Rail	LV E6KW 0032 1112 A	3, 6
146E-2K3F-3200	230 VAC	K t/c	32 to 1112°F	High Limit	Auto Reset	10A Relay	Remote	DIN Rail	LV E5KW 0032 1112 A	2, 3, 6
146E-2K3F-4100	230 VAC	K t/c	32 to 1112°F	Low Limit	Auto Reset	10A Relay	Integral	DIN Rail	LV E6KZ 0032 1112 A	3, 6
146E-2K3F-4200	230 VAC	K t/c	32 to 1112°F	Low Limit	Auto Reset	10A Relay	Remote	DIN Rail	LV E5KZ 0032 1112 A	2, 3, 6
146E-2K4C-1100	230 VAC	K t/c	0 to 66°C	High Limit	Manual Reset	10A Relay	Integral	DIN Rail	LV E6LU 0000 0066 A	3, 6
146E-2K4C-1200	230 VAC	K t/c	0 to 66°C	High Limit	Manual Reset	10A Relay	Remote	DIN Rail	LV E5LU 0000 0066 A	2, 3, 6
146E-2K4C-2100	230 VAC	K t/c	0 to 66°C	Low Limit	Manual Reset	10A Relay	Integral	DIN Rail	LV E6LY 0000 0066 A	3, 6
146E-2K4C-2200	230 VAC	K t/c	0 to 66°C	Low Limit	Manual Reset	10A Relay	Remote	DIN Rail	LV E5LY 0000 0066 A	2, 3, 6
146E-2K4C-3100	230 VAC	K t/c	0 to 66°C	High Limit	Auto Reset	10A Relay	Integral	DIN Rail	LV E6LW 0000 0066 A	3, 6
146E-2K4C-3200	230 VAC	K t/c	0 to 66°C	High Limit	Auto Reset	10A Relay	Remote	DIN Rail	LV E5LW 0000 0066 A	2, 3, 6
146E-2K4C-4100	230 VAC	K t/c	0 to 66°C	Low Limit	Auto Reset	10A Relay	Integral	DIN Rail	LV E6LZ 0000 0066 A	3, 6
146E-2K4C-4200	230 VAC	K t/c	0 to 66°C	Low Limit	Auto Reset	10A Relay	Remote	DIN Rail	LV E5LZ 0000 0066 A	2, 3, 6
146E-2K4D-1100	230 VAC	K t/c	32 to 150°F	High Limit	Manual Reset	10A Relay	Integral	DIN Rail	LV E6KU 0032 0150 A	3, 6, 8
146E-2K4D-1100	230 VAC	K t/c	0 to 66°C	High Limit	Manual Reset	10A Relay	Integral	DIN Rail	LV E6LU 0000 0066 A	3, 6, 8
146E-2K4D-1200	230 VAC	K t/c	32 to 150°F	High Limit	Manual Reset	10A Relay	Remote	DIN Rail	LV E5KU 0032 0150 A	2, 3, 6, 8
146E-2K4D-1200	230 VAC	K t/c	0 to 66°C	High Limit	Manual Reset	10A Relay	Remote	DIN Rail	LV E5LU 0000 0066 A	2, 3, 6, 8
146E-2K4D-2100	230 VAC	K t/c	32 to 150°F	Low Limit	Manual Reset	10A Relay	Integral	DIN Rail	LV E6KY 0032 0150 A	3, 6, 8
146E-2K4D-2100	230 VAC	K t/c	0 to 66°C	Low Limit	Manual Reset	10A Relay	Integral	DIN Rail	LV E6LY 0000 0066 A	3, 6, 8
146E-2K4D-2200	230 VAC	K t/c	32 to 150°F	Low Limit	Manual Reset	10A Relay	Remote	DIN Rail	LV E5KY 0032 0150 A	2, 3, 6, 8
146E-2K4D-2200	230 VAC	K t/c	0 to 66°C	Low Limit	Manual Reset	10A Relay	Remote	DIN Rail	LV E5LY 0000 0066 A	2, 3, 6, 8
146E-2K4D-3100	230 VAC	K t/c	32 to 150°F	High Limit	Auto Reset	10A Relay	Integral	DIN Rail	LV E6KW 0032 0150 A	3, 6, 8
146E-2K4D-3100	230 VAC	K t/c	0 to 66°C	High Limit	Auto Reset	10A Relay	Integral	DIN Rail	LV E6LW 0000 0066 A	3, 6, 8
146E-2K4D-3200	230 VAC	K t/c	32 to 150°F	High Limit	Auto Reset	10A Relay	Remote	DIN Rail	LV E5KW 0032 0150 A	2, 3, 6, 8
146E-2K4D-3200	230 VAC	K t/c	0 to 66°C	High Limit	Auto Reset	10A Relay	Remote	DIN Rail	LV E5LW 0000 0066 A	2, 3, 6, 8
146E-2K4D-4100	230 VAC	K t/c	32 to 150°F	Low Limit	Auto Reset	10A Relay	Integral	DIN Rail	LV E6KZ 0032 0150 A	3, 6, 8
146E-2K4D-4100	230 VAC	K t/c	0 to 66°C	Low Limit	Auto Reset	10A Relay	Integral	DIN Rail	LV E6LZ 0000 0066 A	3, 6, 8
146E-2K4D-4200	230 VAC	K t/c	32 to 150°F	Low Limit	Auto Reset	10A Relay	Remote	DIN Rail	LV E5KZ 0032 0150 A	2, 3, 6, 8
146E-2K4D-4200	230 VAC	K t/c	0 to 66°C	Low Limit	Auto Reset	10A Relay	Remote	DIN Rail	LV E5LZ 0000 0066 A	2, 3, 6, 8
146E-2K4F-1100	230 VAC	K t/c	32 to 150°F	High Limit	Manual Reset	10A Relay	Integral	DIN Rail	LV E6KU 0032 0150 A	3, 6
146E-2K4F-1200	230 VAC	K t/c	32 to 150°F	High Limit	Manual Reset	10A Relay	Remote	DIN Rail	LV E5KU 0032 0150 A	2, 3, 6
146E-2K4F-2100	230 VAC	K t/c	32 to 150°F	Low Limit	Manual Reset	10A Relay	Integral	DIN Rail	LV E6KY 0032 0150 A	3, 6
146E-2K4F-2200	230 VAC	K t/c	32 to 150°F	Low Limit	Manual Reset	10A Relay	Remote	DIN Rail	LV E5KY 0032 0150 A	2, 3, 6
146E-2K4F-3100	230 VAC	K t/c	32 to 150°F	High Limit	Auto Reset	10A Relay	Integral	DIN Rail	LV E6KW 0032 0150 A	3, 6
146E-2K4F-3200	230 VAC	K t/c	32 to 150°F	High Limit	Auto Reset	10A Relay	Remote	DIN Rail	LV E5KW 0032 0150 A	2, 3, 6

Series 146

Series 146	Line Voltage	Input	Temp Range	Control Mode	Action	Output	Set Point	Mounting	Retrofit control	See Notes Below
146E-2K4F-4100	230 VAC	K t/c	32 to 150°F	Low Limit	Auto Reset	10A Relay	Integral	DIN Rail	LV E6KZ 0032 0150 A	3, 6
146E-2K4F-4200	230 VAC	K t/c	32 to 150°F	Low Limit	Auto Reset	10A Relay	Remote	DIN Rail	LV E5KZ 0032 0150 A	2, 3, 6
146E-2K5C-1100	230 VAC	K t/c	-17 to 315°C	High Limit	Manual Reset	10A Relay	Integral	DIN Rail	LV E6LU -017 0315 A	3, 6
146E-2K5C-1200	230 VAC	K t/c	-17 to 315°C	High Limit	Manual Reset	10A Relay	Remote	DIN Rail	LV E5LU -017 0315 A	2, 3, 6
146E-2K5C-2100	230 VAC	K t/c	-17 to 315°C	Low Limit	Manual Reset	10A Relay	Integral	DIN Rail	LV E6LY -017 0315 A	3, 6
146E-2K5C-2200	230 VAC	K t/c	-17 to 315°C	Low Limit	Manual Reset	10A Relay	Remote	DIN Rail	LV E5LY -017 0315 A	2, 3, 6
146E-2K5C-3100	230 VAC	K t/c	-17 to 315°C	High Limit	Auto Reset	10A Relay	Integral	DIN Rail	LV E6LW -017 0315 A	3, 6
146E-2K5C-3200	230 VAC	K t/c	-17 to 315°C	High Limit	Auto Reset	10A Relay	Remote	DIN Rail	LV E5LW -017 0315 A	2, 3, 6
146E-2K5C-4100	230 VAC	K t/c	-17 to 315°C	Low Limit	Auto Reset	10A Relay	Integral	DIN Rail	LV E6LZ -017 0315 A	3, 6
146E-2K5C-4200	230 VAC	K t/c	-17 to 315°C	Low Limit	Auto Reset	10A Relay	Remote	DIN Rail	LV E5LZ -017 0315 A	2, 3, 6
146E-2K5D-1100	230 VAC	K t/c	0 to 600°F	High Limit	Manual Reset	10A Relay	Integral	DIN Rail	LV E6KU 0000 0600 A	3, 6, 8
146E-2K5D-1100	230 VAC	K t/c	-17 to 315°C	High Limit	Manual Reset	10A Relay	Integral	DIN Rail	LV E6LU -017 0315 A	3, 6, 8
146E-2K5D-1200	230 VAC	K t/c	0 to 600°F	High Limit	Manual Reset	10A Relay	Remote	DIN Rail	LV E5KU 0000 0600 A	2, 3, 6, 8
146E-2K5D-1200	230 VAC	K t/c	-17 to 315°C	High Limit	Manual Reset	10A Relay	Remote	DIN Rail	LV E5LU -017 0315 A	2, 3, 6, 8
146E-2K5D-2100	230 VAC	K t/c	0 to 600°F	Low Limit	Manual Reset	10A Relay	Integral	DIN Rail	LV E6KY 0000 0600 A	3, 6, 8
146E-2K5D-2100	230 VAC	K t/c	-17 to 315°C	Low Limit	Manual Reset	10A Relay	Integral	DIN Rail	LV E6LY -017 0315 A	3, 6, 8
146E-2K5D-2200	230 VAC	K t/c	0 to 600°F	Low Limit	Manual Reset	10A Relay	Remote	DIN Rail	LV E5KY 0000 0600 A	2, 3, 6, 8
146E-2K5D-2200	230 VAC	K t/c	-17 to 315°C	Low Limit	Manual Reset	10A Relay	Remote	DIN Rail	LV E5LY -017 0315 A	2, 3, 6, 8
146E-2K5D-3100	230 VAC	K t/c	0 to 600°F	High Limit	Auto Reset	10A Relay	Integral	DIN Rail	LV E6KW 0000 0600 A	3, 6, 8
146E-2K5D-3100	230 VAC	K t/c	-17 to 315°C	High Limit	Auto Reset	10A Relay	Integral	DIN Rail	LV E6LW -017 0315 A	3, 6, 8
146E-2K5D-3200	230 VAC	K t/c	0 to 600°F	High Limit	Auto Reset	10A Relay	Remote	DIN Rail	LV E5KW 0000 0600 A	2, 3, 6, 8
146E-2K5D-3200	230 VAC	K t/c	-17 to 315°C	High Limit	Auto Reset	10A Relay	Remote	DIN Rail	LV E5LW -017 0315 A	2, 3, 6, 8
146E-2K5D-4100	230 VAC	K t/c	0 to 600°F	Low Limit	Auto Reset	10A Relay	Integral	DIN Rail	LV E6KZ 0000 0600 A	3, 6, 8
146E-2K5D-4100	230 VAC	K t/c	-17 to 315°C	Low Limit	Auto Reset	10A Relay	Integral	DIN Rail	LV E6LZ -017 0315 A	3, 6, 8
146E-2K5D-4200	230 VAC	K t/c	0 to 600°F	Low Limit	Auto Reset	10A Relay	Remote	DIN Rail	LV E5KZ 0000 0600 A	2, 3, 6, 8
146E-2K5D-4200	230 VAC	K t/c	-17 to 315°C	Low Limit	Auto Reset	10A Relay	Remote	DIN Rail	LV E5LZ -017 0315 A	2, 3, 6, 8
146E-2K5F-1100	230 VAC	K t/c	0 to 600°F	High Limit	Manual Reset	10A Relay	Integral	DIN Rail	LV E6KU 0000 0600 A	3, 6
146E-2K5F-1200	230 VAC	K t/c	0 to 600°F	High Limit	Manual Reset	10A Relay	Remote	DIN Rail	LV E5KU 0000 0600 A	2, 3, 6
146E-2K5F-2100	230 VAC	K t/c	0 to 600°F	Low Limit	Manual Reset	10A Relay	Integral	DIN Rail	LV E6KY 0000 0600 A	3, 6
146E-2K5F-2200	230 VAC	K t/c	0 to 600°F	Low Limit	Manual Reset	10A Relay	Remote	DIN Rail	LV E5KY 0000 0600 A	2, 3, 6
146E-2K5F-3100	230 VAC	K t/c	0 to 600°F	High Limit	Auto Reset	10A Relay	Integral	DIN Rail	LV E6KW 0000 0600 A	3, 6
146E-2K5F-3200	230 VAC	K t/c	0 to 600°F	High Limit	Auto Reset	10A Relay	Remote	DIN Rail	LV E5KW 0000 0600 A	2, 3, 6
146E-2K5F-4100	230 VAC	K t/c	0 to 600°F	Low Limit	Auto Reset	10A Relay	Integral	DIN Rail	LV E6KZ 0000 0600 A	3, 6
146E-2K5F-4200	230 VAC	K t/c	0 to 600°F	Low Limit	Auto Reset	10A Relay	Remote	DIN Rail	LV E5KZ 0000 0600 A	2, 3, 6
146E-2P1C-1100	230 VAC	100 ohm DIN	-73 to 600°C	High Limit	Manual Reset	10A Relay	Integral	DIN Rail	LV E6RU -073 0600 A	3, 6
146E-2P1C-1200	230 VAC	100 ohm DIN	-73 to 600°C	High Limit	Manual Reset	10A Relay	Remote	DIN Rail	LV E5RU -073 0600 A	2, 3, 6
146E-2P1C-2100	230 VAC	100 ohm DIN	-73 to 600°C	Low Limit	Manual Reset	10A Relay	Integral	DIN Rail	LV E6RY -073 0600 A	3, 6
146E-2P1C-2200	230 VAC	100 ohm DIN	-73 to 600°C	Low Limit	Manual Reset	10A Relay	Remote	DIN Rail	LV E5RY -073 0600 A	2, 3, 6
146E-2P1C-3100	230 VAC	100 ohm DIN	-73 to 600°C	High Limit	Auto Reset	10A Relay	Integral	DIN Rail	LV E6RW -073 0600 A	3, 6
146E-2P1C-3200	230 VAC	100 ohm DIN	-73 to 600°C	High Limit	Auto Reset	10A Relay	Remote	DIN Rail	LV E5RW -073 0600 A	2, 3, 6
146E-2P1C-4100	230 VAC	100 ohm DIN	-73 to 600°C	Low Limit	Auto Reset	10A Relay	Integral	DIN Rail	LV E6RZ -073 0600 A	3, 6

Series 146

Series 146	Line Voltage	Input	Temp Range	Control Mode	Action	Output	Set Point	Mounting	Retrofit control	See Notes Below
146E-2P1C-4200	230 VAC	100 ohm DIN	-73 to 600°C	Low Limit	Auto Reset	10A Relay	Remote	DIN Rail	LV E5RZ -073 0600 A	2, 3, 6
146E-2P1D-1100	230 VAC	100 ohm DIN	-73 to 600°C	High Limit	Manual Reset	10A Relay	Integral	DIN Rail	LV E6RU -073 0600 A	3, 6, 8
146E-2P1D-1100	230 VAC	100 ohm DIN	-100 to 1112 °F	High Limit	Manual Reset	10A Relay	Integral	DIN Rail	LV E6PU -100 1112 A	3, 6, 8
146E-2P1D-1200	230 VAC	100 ohm DIN	-73 to 600°C	High Limit	Manual Reset	10A Relay	Remote	DIN Rail	LV E5RU -073 0600 A	2, 3, 6, 8
146E-2P1D-1200	230 VAC	100 ohm DIN	-100 to 1112 °F	High Limit	Manual Reset	10A Relay	Remote	DIN Rail	LV E5PU -100 1112 A	2, 3, 6, 8
146E-2P1D-2100	230 VAC	100 ohm DIN	-73 to 600°C	Low Limit	Manual Reset	10A Relay	Integral	DIN Rail	LV E6RY -073 0600 A	3, 6, 8
146E-2P1D-2100	230 VAC	100 ohm DIN	-100 to 1112 °F	Low Limit	Manual Reset	10A Relay	Integral	DIN Rail	LV E6PY -100 1112 A	3, 6, 8
146E-2P1D-2200	230 VAC	100 ohm DIN	-73 to 600°C	Low Limit	Manual Reset	10A Relay	Remote	DIN Rail	LV E5RY -073 0600 A	2, 3, 6, 8
146E-2P1D-2200	230 VAC	100 ohm DIN	-100 to 1112 °F	Low Limit	Manual Reset	10A Relay	Remote	DIN Rail	LV E5PY -100 1112 A	2, 3, 6, 8
146E-2P1D-3100	230 VAC	100 ohm DIN	-73 to 600°C	High Limit	Auto Reset	10A Relay	Integral	DIN Rail	LV E6RW -073 0600 A	3, 6, 8
146E-2P1D-3100	230 VAC	100 ohm DIN	-100 to 1112 °F	High Limit	Auto Reset	10A Relay	Integral	DIN Rail	LV E6PW -100 1112 A	3, 6, 8
146E-2P1D-3200	230 VAC	100 ohm DIN	-73 to 600°C	High Limit	Auto Reset	10A Relay	Remote	DIN Rail	LV E5RW -073 0600 A	2, 3, 6, 8
146E-2P1D-3200	230 VAC	100 ohm DIN	-100 to 1112 °F	High Limit	Auto Reset	10A Relay	Remote	DIN Rail	LV E5PW -100 1112 A	2, 3, 6, 8
146E-2P1D-4100	230 VAC	100 ohm DIN	-73 to 600°C	Low Limit	Auto Reset	10A Relay	Integral	DIN Rail	LV E6RZ -073 0600 A	3, 6, 8
146E-2P1D-4100	230 VAC	100 ohm DIN	-100 to 1112 °F	Low Limit	Auto Reset	10A Relay	Integral	DIN Rail	LV E6PZ -100 1112 A	3, 6, 8
146E-2P1D-4200	230 VAC	100 ohm DIN	-73 to 600°C	Low Limit	Auto Reset	10A Relay	Remote	DIN Rail	LV E5SZ -073 0600 A	2, 3, 6, 8
146E-2P1D-4200	230 VAC	100 ohm DIN	-100 to 1112 °F	Low Limit	Auto Reset	10A Relay	Remote	DIN Rail	LV E5PZ -100 1112 A	2, 3, 6, 8
146E-2P1F-1100	230 VAC	100 ohm DIN	-100 to 1112 °F	High Limit	Manual Reset	10A Relay	Integral	DIN Rail	LV E6PU -100 1112 A	3, 6
146E-2P1F-1200	230 VAC	100 ohm DIN	-100 to 1112 °F	High Limit	Manual Reset	10A Relay	Remote	DIN Rail	LV E5PU -100 1112 A	2, 3, 6
146E-2P1F-2100	230 VAC	100 ohm DIN	-100 to 1112 °F	Low Limit	Manual Reset	10A Relay	Integral	DIN Rail	LV E6PY -100 1112 A	3, 6
146E-2P1F-2200	230 VAC	100 ohm DIN	-100 to 1112 °F	Low Limit	Manual Reset	10A Relay	Remote	DIN Rail	LV E5PY -100 1112 A	2, 3, 6
146E-2P1F-3100	230 VAC	100 ohm DIN	-100 to 1112 °F	High Limit	Auto Reset	10A Relay	Integral	DIN Rail	LV E6PW -100 1112 A	3, 6
146E-2P1F-3200	230 VAC	100 ohm DIN	-100 to 1112 °F	High Limit	Auto Reset	10A Relay	Remote	DIN Rail	LV E5PW -100 1112 A	2, 3, 6
146E-2P1F-4100	230 VAC	100 ohm DIN	-100 to 1112 °F	Low Limit	Auto Reset	10A Relay	Integral	DIN Rail	LV E6PZ -100 1112 A	3, 6
146E-2P1F-4200	230 VAC	100 ohm DIN	-100 to 1112 °F	Low Limit	Auto Reset	10A Relay	Remote	DIN Rail	LV E5PZ -100 1112 A	2, 3, 6
146E-2T1C-1100	230 VAC	T t/c	-200 to 350°C	High Limit	Manual Reset	10A Relay	Integral	DIN Rail	LV E6NU -200 0350 A	3, 6
146E-2T1C-1200	230 VAC	T t/c	-200 to 350°C	High Limit	Manual Reset	10A Relay	Remote	DIN Rail	LV E5NU -200 0350 A	2, 3, 6
146E-2T1C-2100	230 VAC	T t/c	-200 to 350°C	Low Limit	Manual Reset	10A Relay	Integral	DIN Rail	LV E6NY -200 0350 A	3, 6
146E-2T1C-2200	230 VAC	T t/c	-200 to 350°C	Low Limit	Manual Reset	10A Relay	Remote	DIN Rail	LV E5NY -200 0350 A	2, 3, 6
146E-2T1C-3100	230 VAC	T t/c	-200 to 350°C	High Limit	Auto Reset	10A Relay	Integral	DIN Rail	LV E6NW -200 0350 A	3, 6
146E-2T1C-3200	230 VAC	T t/c	-200 to 350°C	High Limit	Auto Reset	10A Relay	Remote	DIN Rail	LV E5NW -200 0350 A	2, 3, 6
146E-2T1C-4100	230 VAC	T t/c	-200 to 350°C	Low Limit	Auto Reset	10A Relay	Integral	DIN Rail	LV E6NZ -200 0350 A	3, 6
146E-2T1C-4200	230 VAC	T t/c	-200 to 350°C	Low Limit	Auto Reset	10A Relay	Remote	DIN Rail	LV E5NZ -200 0350 A	2, 3, 6
146E-2T1D-1100	230 VAC	T t/c	-328 to 662°F	High Limit	Manual Reset	10A Relay	Integral	DIN Rail	LV E6MU -328 0662 A	3, 6, 8
146E-2T1D-1100	230 VAC	T t/c	-200 to 350°C	High Limit	Manual Reset	10A Relay	Integral	DIN Rail	LV E6NU -200 0350 A	3, 6, 8
146E-2T1D-1200	230 VAC	T t/c	-328 to 662°F	High Limit	Manual Reset	10A Relay	Remote	DIN Rail	LV E5MU -328 0662 A	2, 3, 6, 8
146E-2T1D-1200	230 VAC	T t/c	-200 to 350°C	High Limit	Manual Reset	10A Relay	Remote	DIN Rail	LV E5NU -200 0350 A	2, 3, 6, 8
146E-2T1D-2100	230 VAC	T t/c	-328 to 662°F	Low Limit	Manual Reset	10A Relay	Integral	DIN Rail	LV E6MY -328 0662 A	3, 6, 8
146E-2T1D-2100	230 VAC	T t/c	-200 to 350°C	Low Limit	Manual Reset	10A Relay	Integral	DIN Rail	LV E6NY -200 0350 A	3, 6, 8
146E-2T1D-2200	230 VAC	T t/c	-328 to 662°F	Low Limit	Manual Reset	10A Relay	Remote	DIN Rail	LV E5MY -328 0662 A	2, 3, 6, 8
146E-2T1D-2200	230 VAC	T t/c	-200 to 350°C	Low Limit	Manual Reset	10A Relay	Remote	DIN Rail	LV E5NY -200 0350 A	2, 3, 6, 8

Series 146

Series 146	Line Voltage	Input	Temp Range	Control Mode	Action	Output	Set Point	Mounting	Retrofit control	See Notes Below
146E-2T1D-3100	230 VAC	T t/c	-328 to 662°F	High Limit	Auto Reset	10A Relay	Integral	DIN Rail	LV E6MW -328 0662 A	3, 6, 8
146E-2T1D-3100	230 VAC	T t/c	-200 to 350°C	High Limit	Auto Reset	10A Relay	Integral	DIN Rail	LV E6NW -200 0350 A	3, 6, 8
146E-2T1D-3200	230 VAC	T t/c	-328 to 662°F	High Limit	Auto Reset	10A Relay	Remote	DIN Rail	LV E5MW -328 0662 A	2, 3, 6, 8
146E-2T1D-3200	230 VAC	T t/c	-200 to 350°C	High Limit	Auto Reset	10A Relay	Remote	DIN Rail	LV E5NW -200 0350 A	2, 3, 6, 8
146E-2T1D-4100	230 VAC	T t/c	-328 to 662°F	Low Limit	Auto Reset	10A Relay	Integral	DIN Rail	LV E6MZ -328 0662 A	3, 6, 8
146E-2T1D-4100	230 VAC	T t/c	-200 to 350°C	Low Limit	Auto Reset	10A Relay	Integral	DIN Rail	LV E6NZ -200 0350 A	3, 6, 8
146E-2T1D-4200	230 VAC	T t/c	-328 to 662°F	Low Limit	Auto Reset	10A Relay	Remote	DIN Rail	LV E5MZ -328 0662 A	2, 3, 6, 8
146E-2T1D-4200	230 VAC	T t/c	-200 to 350°C	Low Limit	Auto Reset	10A Relay	Remote	DIN Rail	LV E5NZ -200 0350 A	2, 3, 6, 8
146E-2T1F-1100	230 VAC	T t/c	-328 to 662°F	High Limit	Manual Reset	10A Relay	Integral	DIN Rail	LV E6MU -328 0662 A	3, 6
146E-2T1F-1200	230 VAC	T t/c	-328 to 662°F	High Limit	Manual Reset	10A Relay	Remote	DIN Rail	LV E5MU -328 0662 A	2, 3, 6
146E-2T1F-2100	230 VAC	T t/c	-328 to 662°F	Low Limit	Manual Reset	10A Relay	Integral	DIN Rail	LV E6MY -328 0662 A	3, 6
146E-2T1F-2200	230 VAC	T t/c	-328 to 662°F	Low Limit	Manual Reset	10A Relay	Remote	DIN Rail	LV E5MY -328 0662 A	2, 3, 6
146E-2T1F-3100	230 VAC	T t/c	-328 to 662°F	High Limit	Auto Reset	10A Relay	Integral	DIN Rail	LV E6MW -328 0662 A	3, 6
146E-2T1F-3200	230 VAC	T t/c	-328 to 662°F	High Limit	Auto Reset	10A Relay	Remote	DIN Rail	LV E5MW -328 0662 A	2, 3, 6
146E-2T1F-4100	230 VAC	T t/c	-328 to 662°F	Low Limit	Auto Reset	10A Relay	Integral	DIN Rail	LV E6MZ -328 0662 A	3, 6
146E-2T1F-4200	230 VAC	T t/c	-328 to 662°F	Low Limit	Auto Reset	10A Relay	Remote	DIN Rail	LV E5MZ -328 0662 A	2, 3, 6
146E-3101-1000	24 VAC	100 ohm DIN	-73 to 600°C	High Limit	Manual Reset	8A Relay	Integral	DIN Rail	LV G6RU -073 0600 A	6, 8
146E-3101-1000	24 VAC	100 ohm DIN	-100 to 1112°F	High Limit	Manual Reset	8A Relay	Integral	DIN Rail	LV G6PU -100 1112 A	6, 8
146E-3101-1N00	24 VAC	100 ohm DIN	-73 to 600°C	High Limit	Manual Reset	8A Relay	Remote	DIN Rail	LV G5RU -073 0600 A	2, 6, 8
146E-3101-1N00	24 VAC	100 ohm DIN	-100 to 1112°F	High Limit	Manual Reset	8A Relay	Remote	DIN Rail	LV G5PU -100 1112 A	2, 6, 8
146E-3101-1P00	24 VAC	100 ohm DIN	-73 to 600°C	High Limit	Manual Reset	8A Relay	Remote	DIN Rail	LV G5RU -073 0600 A	2, 6, 8
146E-3101-1P00	24 VAC	100 ohm DIN	-100 to 1112°F	High Limit	Manual Reset	8A Relay	Remote	DIN Rail	LV G5PU -100 1112 A	2, 6, 8
146E-3101-1S00	24 VAC	100 ohm DIN	-73 to 600°C	High Limit	Manual Reset	8A Relay	Remote	DIN Rail	LV G5RU -073 0600 A	2, 6, 8
146E-3101-1S00	24 VAC	100 ohm DIN	-100 to 1112°F	High Limit	Manual Reset	8A Relay	Remote	DIN Rail	LV G5PU -100 1112 A	2, 6, 8
146E-3101-2000	24 VAC	100 ohm DIN	-73 to 600°C	Low Limit	Manual Reset	8A Relay	Integral	DIN Rail	LV G6RY -073 0600 A	6, 8
146E-3101-2000	24 VAC	100 ohm DIN	-100 to 1112°F	Low Limit	Manual Reset	8A Relay	Integral	DIN Rail	LV G6PY -100 1112 A	6, 8
146E-3101-2N00	24 VAC	100 ohm DIN	-73 to 600°C	Low Limit	Manual Reset	8A Relay	Remote	DIN Rail	LV G5RY -073 0600 A	2, 6, 8
146E-3101-2N00	24 VAC	100 ohm DIN	-100 to 1112°F	Low Limit	Manual Reset	8A Relay	Remote	DIN Rail	LV G5PY -100 1112 A	2, 6, 8
146E-3101-2P00	24 VAC	100 ohm DIN	-73 to 600°C	Low Limit	Manual Reset	8A Relay	Remote	DIN Rail	LV G5RY -073 0600 A	2, 6, 8
146E-3101-2P00	24 VAC	100 ohm DIN	-100 to 1112°F	Low Limit	Manual Reset	8A Relay	Remote	DIN Rail	LV G5PY -100 1112 A	2, 6, 8
146E-3101-2S00	24 VAC	100 ohm DIN	-73 to 600°C	Low Limit	Manual Reset	8A Relay	Remote	DIN Rail	LV G5RY -073 0600 A	2, 6, 8
146E-3101-2S00	24 VAC	100 ohm DIN	-100 to 1112°F	Low Limit	Manual Reset	8A Relay	Remote	DIN Rail	LV G5PY -100 1112 A	2, 6, 8
146E-3101-3000	24 VAC	100 ohm DIN	-73 to 600°C	High Limit	Auto Reset	8A Relay	Integral	DIN Rail	LV G6RW -073 0600 A	6, 8
146E-3101-3000	24 VAC	100 ohm DIN	-100 to 1112°F	High Limit	Auto Reset	8A Relay	Integral	DIN Rail	LV G6PW -100 1112 A	6, 8
146E-3101-3N00	24 VAC	100 ohm DIN	-73 to 600°C	High Limit	Auto Reset	8A Relay	Remote	DIN Rail	LV G5RW -073 0600 A	2, 6, 8
146E-3101-3N00	24 VAC	100 ohm DIN	-100 to 1112°F	High Limit	Auto Reset	8A Relay	Remote	DIN Rail	LV G5PW -100 1112 A	2, 6, 8
146E-3101-3P00	24 VAC	100 ohm DIN	-73 to 600°C	High Limit	Auto Reset	8A Relay	Remote	DIN Rail	LV G5RW -073 0600 A	2, 6, 8
146E-3101-3P00	24 VAC	100 ohm DIN	-100 to 1112°F	High Limit	Auto Reset	8A Relay	Remote	DIN Rail	LV G5PW -100 1112 A	2, 6, 8
146E-3101-3S00	24 VAC	100 ohm DIN	-73 to 600°C	High Limit	Auto Reset	8A Relay	Remote	DIN Rail	LV G5RW -073 0600 A	2, 6, 8
146E-3101-3S00	24 VAC	100 ohm DIN	-100 to 1112°F	High Limit	Auto Reset	8A Relay	Remote	DIN Rail	LV G5PW -100 1112 A	2, 6, 8
146E-3101-4000	24 VAC	100 ohm DIN	-73 to 600°C	Low Limit	Auto Reset	8A Relay	Integral	DIN Rail	LV G6RY -073 0600 A	6, 8

Series 146

Series 146	Line Voltage	Input	Temp Range	Control Mode	Action	Output	Set Point	Mounting	Retrofit control	See Notes Below
146E-3101-4000	24 VAC	100 ohm DIN	-100 to 1112°F	Low Limit	Auto Reset	8A Relay	Integral	DIN Rail	LV G6PZ -100 1112 A	6, 8
146E-3101-4N00	24 VAC	100 ohm DIN	-73 to 600°C	Low Limit	Auto Reset	8A Relay	Remote	DIN Rail	LV G5RY -073 0600 A	2, 6, 8
146E-3101-4N00	24 VAC	100 ohm DIN	-100 to 1112°F	Low Limit	Auto Reset	8A Relay	Remote	DIN Rail	LV G5PZ -100 1112 A	2, 6, 8
146E-3101-4P00	24 VAC	100 ohm DIN	-73 to 600°C	Low Limit	Auto Reset	8A Relay	Remote	DIN Rail	LV G5RY -073 0600 A	2, 6, 8
146E-3101-4P00	24 VAC	100 ohm DIN	-100 to 1112°F	Low Limit	Auto Reset	8A Relay	Remote	DIN Rail	LV G5PZ -100 1112 A	2, 6, 8
146E-3101-4S00	24 VAC	100 ohm DIN	-73 to 600°C	Low Limit	Auto Reset	8A Relay	Remote	DIN Rail	LV G5RY -073 0600 A	2, 6, 8
146E-3101-4S00	24 VAC	100 ohm DIN	-100 to 1112°F	Low Limit	Auto Reset	8A Relay	Remote	DIN Rail	LV G5PZ -100 1112 A	2, 6, 8
146E-3104-1000	24 VAC	1K ohm	-73 to 600°C	High Limit	Manual Reset	8A Relay	Integral	DIN Rail	LV G6RU -073 0600 A	1, 6, 8
146E-3104-1000	24 VAC	1K ohm	-100 to 1112°F	High Limit	Manual Reset	8A Relay	Integral	DIN Rail	LV G6PU -100 1112 A	1, 6, 8
146E-3104-1N00	24 VAC	1K ohm	-73 to 600°C	High Limit	Manual Reset	8A Relay	Remote	DIN Rail	LV G5RU -073 0600 A	1, 2, 6, 8
146E-3104-1N00	24 VAC	1K ohm	-100 to 1112°F	High Limit	Manual Reset	8A Relay	Remote	DIN Rail	LV G5PU -100 1112 A	1, 2, 6, 8
146E-3104-1P00	24 VAC	1K ohm	-73 to 600°C	High Limit	Manual Reset	8A Relay	Remote	DIN Rail	LV G5RU -073 0600 A	1, 2, 6, 8
146E-3104-1P00	24 VAC	1K ohm	-100 to 1112°F	High Limit	Manual Reset	8A Relay	Remote	DIN Rail	LV G5PU -100 1112 A	1, 2, 6, 8
146E-3104-1S00	24 VAC	1K ohm	-73 to 600°C	High Limit	Manual Reset	8A Relay	Remote	DIN Rail	LV G5RU -073 0600 A	1, 2, 6, 8
146E-3104-1S00	24 VAC	1K ohm	-100 to 1112°F	High Limit	Manual Reset	8A Relay	Remote	DIN Rail	LV G5PU -100 1112 A	1, 2, 6, 8
146E-3104-2000	24 VAC	1K ohm	-73 to 600°C	Low Limit	Manual Reset	8A Relay	Integral	DIN Rail	LV G6RY -073 0600 A	1, 6, 8
146E-3104-2000	24 VAC	1K ohm	-100 to 1112°F	Low Limit	Manual Reset	8A Relay	Integral	DIN Rail	LV G6PY -100 1112 A	1, 6, 8
146E-3104-2N00	24 VAC	1K ohm	-73 to 600°C	Low Limit	Manual Reset	8A Relay	Remote	DIN Rail	LV G5RY -073 0600 A	1, 2, 6, 8
146E-3104-2N00	24 VAC	1K ohm	-100 to 1112°F	Low Limit	Manual Reset	8A Relay	Remote	DIN Rail	LV G5PY -100 1112 A	1, 2, 6, 8
146E-3104-2P00	24 VAC	1K ohm	-73 to 600°C	Low Limit	Manual Reset	8A Relay	Remote	DIN Rail	LV G5RY -073 0600 A	1, 2, 6, 8
146E-3104-2P00	24 VAC	1K ohm	-100 to 1112°F	Low Limit	Manual Reset	8A Relay	Remote	DIN Rail	LV G5PY -100 1112 A	1, 2, 6, 8
146E-3104-2S00	24 VAC	1K ohm	-73 to 600°C	Low Limit	Manual Reset	8A Relay	Remote	DIN Rail	LV G5RY -073 0600 A	1, 2, 6, 8
146E-3104-2S00	24 VAC	1K ohm	-100 to 1112°F	Low Limit	Manual Reset	8A Relay	Remote	DIN Rail	LV G5PY -100 1112 A	1, 2, 6, 8
146E-3104-3000	24 VAC	1K ohm	-73 to 600°C	High Limit	Auto Reset	8A Relay	Integral	DIN Rail	LV G6RW -073 0600 A	1, 6, 8
146E-3104-3000	24 VAC	1K ohm	-100 to 1112°F	High Limit	Auto Reset	8A Relay	Integral	DIN Rail	LV G6PW -100 1112 A	1, 6, 8
146E-3104-3N00	24 VAC	1K ohm	-73 to 600°C	High Limit	Auto Reset	8A Relay	Remote	DIN Rail	LV G5RW -073 0600 A	1, 2, 6, 8
146E-3104-3N00	24 VAC	1K ohm	-100 to 1112°F	High Limit	Auto Reset	8A Relay	Remote	DIN Rail	LV G5PW -100 1112 A	1, 2, 6, 8
146E-3104-3P00	24 VAC	1K ohm	-73 to 600°C	High Limit	Auto Reset	8A Relay	Remote	DIN Rail	LV G5RW -073 0600 A	1, 2, 6, 8
146E-3104-3P00	24 VAC	1K ohm	-100 to 1112°F	High Limit	Auto Reset	8A Relay	Remote	DIN Rail	LV G5PW -100 1112 A	1, 2, 6, 8
146E-3104-3S00	24 VAC	1K ohm	-73 to 600°C	High Limit	Auto Reset	8A Relay	Remote	DIN Rail	LV G5RW -073 0600 A	1, 2, 6, 8
146E-3104-3S00	24 VAC	1K ohm	-100 to 1112°F	High Limit	Auto Reset	8A Relay	Remote	DIN Rail	LV G5PW -100 1112 A	1, 2, 6, 8
146E-3104-4000	24 VAC	1K ohm	-73 to 600°C	Low Limit	Auto Reset	8A Relay	Integral	DIN Rail	LV G6RY -073 0600 A	1, 6, 8
146E-3104-4000	24 VAC	1K ohm	-100 to 1112°F	Low Limit	Auto Reset	8A Relay	Integral	DIN Rail	LV G6PZ -100 1112 A	1, 6, 8
146E-3104-4N00	24 VAC	1K ohm	-73 to 600°C	Low Limit	Auto Reset	8A Relay	Remote	DIN Rail	LV G5RY -073 0600 A	1, 2, 6, 8
146E-3104-4N00	24 VAC	1K ohm	-100 to 1112°F	Low Limit	Auto Reset	8A Relay	Remote	DIN Rail	LV G5PZ -100 1112 A	1, 2, 6, 8
146E-3104-4P00	24 VAC	1K ohm	-73 to 600°C	Low Limit	Auto Reset	8A Relay	Remote	DIN Rail	LV G5RY -073 0600 A	1, 2, 6, 8
146E-3104-4P00	24 VAC	1K ohm	-100 to 1112°F	Low Limit	Auto Reset	8A Relay	Remote	DIN Rail	LV G5PZ -100 1112 A	1, 2, 6, 8
146E-3104-4S00	24 VAC	1K ohm	-73 to 600°C	Low Limit	Auto Reset	8A Relay	Remote	DIN Rail	LV G5RY -073 0600 A	1, 2, 6, 8
146E-3104-4S00	24 VAC	1K ohm	-100 to 1112°F	Low Limit	Auto Reset	8A Relay	Remote	DIN Rail	LV G5PZ -100 1112 A	1, 2, 6, 8
146E-3105-1000	24 VAC	100 ohm DIN	0 to 80°C	High Limit	Manual Reset	8A Relay	Integral	DIN Rail	LV G6RU 0000 0080 A	6, 8
146E-3105-1000	24 VAC	100 ohm DIN	32 to 176°F	High Limit	Manual Reset	8A Relay	Integral	DIN Rail	LV G6PU 0032 0176 A	6, 8

Series 146

Series 146	Line Voltage	Input	Temp Range	Control Mode	Action	Output	Set Point	Mounting	Retrofit control	See Notes Below
146E-3105-1N00	24 VAC	100 ohm DIN	0 to 80°C	High Limit	Manual Reset	8A Relay	Remote	DIN Rail	LV G5RU 0000 0080 A	2, 6, 8
146E-3105-1N00	24 VAC	100 ohm DIN	32 to 176°F	High Limit	Manual Reset	8A Relay	Remote	DIN Rail	LV G5PU 0032 0176 A	2, 6, 8
146E-3105-1P00	24 VAC	100 ohm DIN	0 to 80°C	High Limit	Manual Reset	8A Relay	Remote	DIN Rail	LV G5RU 0000 0080 A	2, 6, 8
146E-3105-1P00	24 VAC	100 ohm DIN	32 to 176°F	High Limit	Manual Reset	8A Relay	Remote	DIN Rail	LV G5PU 0032 0176 A	2, 6, 8
146E-3105-1S00	24 VAC	100 ohm DIN	0 to 80°C	High Limit	Manual Reset	8A Relay	Remote	DIN Rail	LV G5RU 0000 0080 A	2, 6, 8
146E-3105-1S00	24 VAC	100 ohm DIN	32 to 176°F	High Limit	Manual Reset	8A Relay	Remote	DIN Rail	LV G5PU 0032 0176 A	2, 6, 8
146E-3105-2000	24 VAC	100 ohm DIN	0 to 80°C	Low Limit	Manual Reset	8A Relay	Integral	DIN Rail	LV G6RY 0000 0080 A	6, 8
146E-3105-2000	24 VAC	100 ohm DIN	32 to 176°F	Low Limit	Manual Reset	8A Relay	Integral	DIN Rail	LV G6PY 0032 0176 A	6, 8
146E-3105-2N00	24 VAC	100 ohm DIN	0 to 80°C	Low Limit	Manual Reset	8A Relay	Remote	DIN Rail	LV G5RY 0000 0080 A	2, 6, 8
146E-3105-2N00	24 VAC	100 ohm DIN	32 to 176°F	Low Limit	Manual Reset	8A Relay	Remote	DIN Rail	LV G5PY 0032 0176 A	2, 6, 8
146E-3105-2P00	24 VAC	100 ohm DIN	0 to 80°C	Low Limit	Manual Reset	8A Relay	Remote	DIN Rail	LV G5RY 0000 0080 A	2, 6, 8
146E-3105-2P00	24 VAC	100 ohm DIN	32 to 176°F	Low Limit	Manual Reset	8A Relay	Remote	DIN Rail	LV G5PY 0032 0176 A	2, 6, 8
146E-3105-2S00	24 VAC	100 ohm DIN	0 to 80°C	Low Limit	Manual Reset	8A Relay	Remote	DIN Rail	LV G5RY 0000 0080 A	2, 6, 8
146E-3105-2S00	24 VAC	100 ohm DIN	32 to 176°F	Low Limit	Manual Reset	8A Relay	Remote	DIN Rail	LV G5PY 0032 0176 A	2, 6, 8
146E-3105-3000	24 VAC	100 ohm DIN	0 to 80°C	High Limit	Auto Reset	8A Relay	Integral	DIN Rail	LV G6RW 0000 0080 A	6, 8
146E-3105-3000	24 VAC	100 ohm DIN	32 to 176°F	High Limit	Auto Reset	8A Relay	Integral	DIN Rail	LV G6PW 0032 0176 A	6, 8
146E-3105-3N00	24 VAC	100 ohm DIN	0 to 80°C	High Limit	Auto Reset	8A Relay	Remote	DIN Rail	LV G5RW 0000 0080 A	2, 6, 8
146E-3105-3N00	24 VAC	100 ohm DIN	32 to 176°F	High Limit	Auto Reset	8A Relay	Remote	DIN Rail	LV G5PW 0032 0176 A	2, 6, 8
146E-3105-3P00	24 VAC	100 ohm DIN	0 to 80°C	High Limit	Auto Reset	8A Relay	Remote	DIN Rail	LV G5RW 0000 0080 A	2, 6, 8
146E-3105-3P00	24 VAC	100 ohm DIN	32 to 176°F	High Limit	Auto Reset	8A Relay	Remote	DIN Rail	LV G5PW 0032 0176 A	2, 6, 8
146E-3105-3S00	24 VAC	100 ohm DIN	0 to 80°C	High Limit	Auto Reset	8A Relay	Remote	DIN Rail	LV G5RW 0000 0080 A	2, 6, 8
146E-3105-3S00	24 VAC	100 ohm DIN	32 to 176°F	High Limit	Auto Reset	8A Relay	Remote	DIN Rail	LV G5PW 0032 0176 A	2, 6, 8
146E-3105-4000	24 VAC	100 ohm DIN	0 to 80°C	Low Limit	Auto Reset	8A Relay	Integral	DIN Rail	LV G6RY 0000 0080 A	6, 8
146E-3105-4000	24 VAC	100 ohm DIN	32 to 176°F	Low Limit	Auto Reset	8A Relay	Integral	DIN Rail	LV G6PZ 0032 0176 A	6, 8
146E-3105-4N00	24 VAC	100 ohm DIN	0 to 80°C	Low Limit	Auto Reset	8A Relay	Remote	DIN Rail	LV G5RY 0000 0080 A	2, 6, 8
146E-3105-4N00	24 VAC	100 ohm DIN	32 to 176°F	Low Limit	Auto Reset	8A Relay	Remote	DIN Rail	LV G5PZ 0032 0176 A	2, 6, 8
146E-3105-4P00	24 VAC	100 ohm DIN	0 to 80°C	Low Limit	Auto Reset	8A Relay	Remote	DIN Rail	LV G5RY 0000 0080 A	2, 6, 8
146E-3105-4P00	24 VAC	100 ohm DIN	32 to 176°F	Low Limit	Auto Reset	8A Relay	Remote	DIN Rail	LV G5PZ 0032 0176 A	2, 6, 8
146E-3105-4S00	24 VAC	100 ohm DIN	0 to 80°C	Low Limit	Auto Reset	8A Relay	Remote	DIN Rail	LV G5RY 0000 0080 A	2, 6, 8
146E-3105-4S00	24 VAC	100 ohm DIN	32 to 176°F	Low Limit	Auto Reset	8A Relay	Remote	DIN Rail	LV G5PZ 0032 0176 A	2, 6, 8
146E-3106-1000	24 VAC	100 ohm DIN	200°C	High Limit	Manual Reset	8A Relay	Fixed	DIN Rail	LF G6RU 0200 AAAA A	6, 8
146E-3106-1000	24 VAC	100 ohm DIN	392°F	High Limit	Manual Reset	8A Relay	Fixed	DIN Rail	LF G6PU 0392 AAAA A	6, 8
146E-3106-2000	24 VAC	100 ohm DIN	200°C	Low Limit	Manual Reset	8A Relay	Fixed	DIN Rail	LF G6RY 0200 AAAA A	6, 8
146E-3106-2000	24 VAC	100 ohm DIN	392°F	Low Limit	Manual Reset	8A Relay	Fixed	DIN Rail	LF G6PY 0392 AAAA A	6, 8
146E-3106-3000	24 VAC	100 ohm DIN	200°C	High Limit	Auto Reset	8A Relay	Fixed	DIN Rail	LF G6RW 0200 AAAA A	6, 8
146E-3106-3000	24 VAC	100 ohm DIN	392°F	High Limit	Auto Reset	8A Relay	Fixed	DIN Rail	LF G6PW 0392 AAAA A	6, 8
146E-3106-4000	24 VAC	100 ohm DIN	200°C	Low Limit	Auto Reset	8A Relay	Fixed	DIN Rail	LF G6RY 0200 AAAA A	6, 8
146E-3106-4000	24 VAC	100 ohm DIN	392°F	Low Limit	Auto Reset	8A Relay	Fixed	DIN Rail	LF G6PZ 0392 AAAA A	6, 8
146E-3107-1000	24 VAC	100 ohm DIN	350°C	High Limit	Manual Reset	8A Relay	Fixed	DIN Rail	LF G6RU 0350 AAAA A	6, 8
146E-3107-1000	24 VAC	100 ohm DIN	662°F	High Limit	Manual Reset	8A Relay	Fixed	DIN Rail	LF G6PU 0662 AAAA A	6, 8
146E-3107-2000	24 VAC	100 ohm DIN	350°C	Low Limit	Manual Reset	8A Relay	Fixed	DIN Rail	LF G6RY 0350 AAAA A	6, 8

Series 146

Series 146	Line Voltage	Input	Temp Range	Control Mode	Action	Output	Set Point	Mounting	Retrofit control	See Notes Below
146E-3107-2000	24 VAC	100 ohm DIN	662°F	Low Limit	Manual Reset	8A Relay	Fixed	DIN Rail	LF G6PY 0662 AAAA A	6, 8
146E-3107-3000	24 VAC	100 ohm DIN	350°C	High Limit	Auto Reset	8A Relay	Fixed	DIN Rail	LF G6RW 0350 AAAA A	6, 8
146E-3107-3000	24 VAC	100 ohm DIN	662°F	High Limit	Auto Reset	8A Relay	Fixed	DIN Rail	LF G6PW 0662 AAAA A	6, 8
146E-3107-4000	24 VAC	100 ohm DIN	350°C	Low Limit	Auto Reset	8A Relay	Fixed	DIN Rail	LF G6RY 0350 AAAA A	6, 8
146E-3107-4000	24 VAC	100 ohm DIN	662°F	Low Limit	Auto Reset	8A Relay	Fixed	DIN Rail	LF G6PZ 0662 AAAA A	6, 8
146E-3108-1000	24 VAC	100 ohm DIN	110°C	High Limit	Manual Reset	8A Relay	Fixed	DIN Rail	LF G6RU 0110 AAAA A	6, 8
146E-3108-1000	24 VAC	100 ohm DIN	230°F	High Limit	Manual Reset	8A Relay	Fixed	DIN Rail	LF G6PU 0230 AAAA A	6, 8
146E-3108-2000	24 VAC	100 ohm DIN	110°C	Low Limit	Manual Reset	8A Relay	Fixed	DIN Rail	LF G6RY 0110 AAAA A	6, 8
146E-3108-2000	24 VAC	100 ohm DIN	230°F	Low Limit	Manual Reset	8A Relay	Fixed	DIN Rail	LF G6PY 0230 AAAA A	6, 8
146E-3108-3000	24 VAC	100 ohm DIN	110°C	High Limit	Auto Reset	8A Relay	Fixed	DIN Rail	LF G6RW 0110 AAAA A	6, 8
146E-3108-3000	24 VAC	100 ohm DIN	230°F	High Limit	Auto Reset	8A Relay	Fixed	DIN Rail	LF G6PW 0230 AAAA A	6, 8
146E-3108-4000	24 VAC	100 ohm DIN	110°C	Low Limit	Auto Reset	8A Relay	Fixed	DIN Rail	LF G6RY 0110 AAAA A	6, 8
146E-3108-4000	24 VAC	100 ohm DIN	230°F	Low Limit	Auto Reset	8A Relay	Fixed	DIN Rail	LF G6PZ 0230 AAAA A	6, 8
146E-3109-1000	24 VAC	100 ohm DIN	150°C	High Limit	Manual Reset	8A Relay	Fixed	DIN Rail	LF G6RU 0150 AAAA A	6, 8
146E-3109-1000	24 VAC	100 ohm DIN	302°F	High Limit	Manual Reset	8A Relay	Fixed	DIN Rail	LF G6PU 0302 AAAA A	6, 8
146E-3109-2000	24 VAC	100 ohm DIN	150°C	Low Limit	Manual Reset	8A Relay	Fixed	DIN Rail	LF G6RY 0150 AAAA A	6, 8
146E-3109-2000	24 VAC	100 ohm DIN	302°F	Low Limit	Manual Reset	8A Relay	Fixed	DIN Rail	LF G6PY 0302 AAAA A	6, 8
146E-3109-3000	24 VAC	100 ohm DIN	150°C	High Limit	Auto Reset	8A Relay	Fixed	DIN Rail	LF G6RW 0150 AAAA A	6, 8
146E-3109-3000	24 VAC	100 ohm DIN	302°F	High Limit	Auto Reset	8A Relay	Fixed	DIN Rail	LF G6PW 0302 AAAA A	6, 8
146E-3109-4000	24 VAC	100 ohm DIN	150°C	Low Limit	Auto Reset	8A Relay	Fixed	DIN Rail	LF G6RY 0150 AAAA A	6, 8
146E-3109-4000	24 VAC	100 ohm DIN	302°F	Low Limit	Auto Reset	8A Relay	Fixed	DIN Rail	LF G6PZ 0302 AAAA A	6, 8
146E-3110-1000	24 VAC	100 ohm DIN	120°C	High Limit	Manual Reset	8A Relay	Fixed	DIN Rail	LF G6RU 0120 AAAA A	6, 8
146E-3110-1000	24 VAC	100 ohm DIN	248°F	High Limit	Manual Reset	8A Relay	Fixed	DIN Rail	LF G6PU 0248 AAAA A	6, 8
146E-3110-2000	24 VAC	100 ohm DIN	120°C	Low Limit	Manual Reset	8A Relay	Fixed	DIN Rail	LF G6RY 0120 AAAA A	6, 8
146E-3110-2000	24 VAC	100 ohm DIN	248°F	Low Limit	Manual Reset	8A Relay	Fixed	DIN Rail	LF G6PY 0248 AAAA A	6, 8
146E-3110-3000	24 VAC	100 ohm DIN	120°C	High Limit	Auto Reset	8A Relay	Fixed	DIN Rail	LF G6RW 0120 AAAA A	6, 8
146E-3110-3000	24 VAC	100 ohm DIN	248°F	High Limit	Auto Reset	8A Relay	Fixed	DIN Rail	LF G6PW 0248 AAAA A	6, 8
146E-3110-4000	24 VAC	100 ohm DIN	120°C	Low Limit	Auto Reset	8A Relay	Fixed	DIN Rail	LF G6RY 0120 AAAA A	6, 8
146E-3110-4000	24 VAC	100 ohm DIN	248°F	Low Limit	Auto Reset	8A Relay	Fixed	DIN Rail	LF G6PZ 0248 AAAA A	6, 8
146E-3111-1000	24 VAC	100 ohm DIN	200°C	High Limit	Manual Reset	8A Relay	Fixed	DIN Rail	LF G6RU 0200 AAAA A	6, 8
146E-3111-1000	24 VAC	100 ohm DIN	392°F	High Limit	Manual Reset	8A Relay	Fixed	DIN Rail	LF G6PU 0392 AAAA A	6, 8
146E-3111-2000	24 VAC	100 ohm DIN	200°C	Low Limit	Manual Reset	8A Relay	Fixed	DIN Rail	LF G6RY 0200 AAAA A	6, 8
146E-3111-2000	24 VAC	100 ohm DIN	392°F	Low Limit	Manual Reset	8A Relay	Fixed	DIN Rail	LF G6PY 0392 AAAA A	6, 8
146E-3111-3000	24 VAC	100 ohm DIN	200°C	High Limit	Auto Reset	8A Relay	Fixed	DIN Rail	LF G6RW 0200 AAAA A	6, 8
146E-3111-3000	24 VAC	100 ohm DIN	392°F	High Limit	Auto Reset	8A Relay	Fixed	DIN Rail	LF G6PW 0392 AAAA A	6, 8
146E-3111-4000	24 VAC	100 ohm DIN	200°C	Low Limit	Auto Reset	8A Relay	Fixed	DIN Rail	LF G6RY 0200 AAAA A	6, 8
146E-3111-4000	24 VAC	100 ohm DIN	392°F	Low Limit	Auto Reset	8A Relay	Fixed	DIN Rail	LF G6PZ 0392 AAAA A	6, 8
146E-3112-1000	24 VAC	100 ohm DIN	250°C	High Limit	Manual Reset	8A Relay	Fixed	DIN Rail	LF G6RU 0250 AAAA A	6, 8
146E-3112-1000	24 VAC	100 ohm DIN	482°F	High Limit	Manual Reset	8A Relay	Fixed	DIN Rail	LF G6PU 0482 AAAA A	6, 8
146E-3112-2000	24 VAC	100 ohm DIN	250°C	Low Limit	Manual Reset	8A Relay	Fixed	DIN Rail	LF G6RY 0250 AAAA A	6, 8
146E-3112-2000	24 VAC	100 ohm DIN	482°F	Low Limit	Manual Reset	8A Relay	Fixed	DIN Rail	LF G6PY 0482 AAAA A	6, 8

Series 146

Series 146	Line Voltage	Input	Temp Range	Control Mode	Action	Output	Set Point	Mounting	Retrofit control	See Notes Below
146E-3112-3000	24 VAC	100 ohm DIN	250°C	High Limit	Auto Reset	8A Relay	Fixed	DIN Rail	LF G6RW 0250 AAAA A	6, 8
146E-3112-3000	24 VAC	100 ohm DIN	482°F	High Limit	Auto Reset	8A Relay	Fixed	DIN Rail	LF G6PW 0482 AAAA A	6, 8
146E-3112-4000	24 VAC	100 ohm DIN	250°C	Low Limit	Auto Reset	8A Relay	Fixed	DIN Rail	LF G6RY 0250 AAAA A	6, 8
146E-3112-4000	24 VAC	100 ohm DIN	482°F	Low Limit	Auto Reset	8A Relay	Fixed	DIN Rail	LF G6PZ 0482 AAAA A	6, 8
146E-3601-1000	24 VAC	J t/c	32 to 600°F	High Limit	Manual Reset	8A Relay	Integral	DIN Rail	LV G6HU 0032 0600 A	6, 8
146E-3601-1000	24 VAC	J t/c	0 to 315°C	High Limit	Manual Reset	8A Relay	Integral	DIN Rail	LV G6JU 0000 0315 A	6, 8
146E-3601-1N00	24 VAC	J t/c	32 to 600°F	High Limit	Manual Reset	8A Relay	Remote	DIN Rail	LV G5HU 0032 0600 A	2, 6, 8
146E-3601-1N00	24 VAC	J t/c	0 to 315°C	High Limit	Manual Reset	8A Relay	Remote	DIN Rail	LV G5JU 0000 0315 A	2, 6, 8
146E-3601-1P00	24 VAC	J t/c	32 to 600°F	High Limit	Manual Reset	8A Relay	Remote	DIN Rail	LV G5HU 0032 0600 A	2, 6, 8
146E-3601-1P00	24 VAC	J t/c	0 to 315°C	High Limit	Manual Reset	8A Relay	Remote	DIN Rail	LV G5JU 0000 0315 A	2, 6, 8
146E-3601-1S00	24 VAC	J t/c	32 to 600°F	High Limit	Manual Reset	8A Relay	Remote	DIN Rail	LV G5HU 0032 0600 A	2, 6, 8
146E-3601-1S00	24 VAC	J t/c	0 to 315°C	High Limit	Manual Reset	8A Relay	Remote	DIN Rail	LV G5JU 0000 0315 A	2, 6, 8
146E-3601-2000	24 VAC	J t/c	32 to 600°F	Low Limit	Manual Reset	8A Relay	Integral	DIN Rail	LV G6HY 0032 0600 A	6, 8
146E-3601-2000	24 VAC	J t/c	0 to 315°C	Low Limit	Manual Reset	8A Relay	Integral	DIN Rail	LV G6JY 0000 0315 A	6, 8
146E-3601-2N00	24 VAC	J t/c	32 to 600°F	Low Limit	Manual Reset	8A Relay	Remote	DIN Rail	LV G5HY 0032 0600 A	2, 6, 8
146E-3601-2N00	24 VAC	J t/c	0 to 315°C	Low Limit	Manual Reset	8A Relay	Remote	DIN Rail	LV G5JY 0000 0315 A	2, 6, 8
146E-3601-2P00	24 VAC	J t/c	32 to 600°F	Low Limit	Manual Reset	8A Relay	Remote	DIN Rail	LV G5HY 0032 0600 A	2, 6, 8
146E-3601-2P00	24 VAC	J t/c	0 to 315°C	Low Limit	Manual Reset	8A Relay	Remote	DIN Rail	LV G5JY 0000 0315 A	2, 6, 8
146E-3601-2S00	24 VAC	J t/c	32 to 600°F	Low Limit	Manual Reset	8A Relay	Remote	DIN Rail	LV G5HY 0032 0600 A	2, 6, 8
146E-3601-2S00	24 VAC	J t/c	0 to 315°C	Low Limit	Manual Reset	8A Relay	Remote	DIN Rail	LV G5JY 0000 0315 A	2, 6, 8
146E-3601-3000	24 VAC	J t/c	32 to 600°F	High Limit	Auto Reset	8A Relay	Integral	DIN Rail	LV G6HW 0032 0600 A	6, 8
146E-3601-3000	24 VAC	J t/c	0 to 315°C	High Limit	Auto Reset	8A Relay	Integral	DIN Rail	LV G6JW 0000 0315 A	6, 8
146E-3601-3N00	24 VAC	J t/c	32 to 600°F	High Limit	Auto Reset	8A Relay	Remote	DIN Rail	LV G5HW 0032 0600 A	2, 6, 8
146E-3601-3N00	24 VAC	J t/c	0 to 315°C	High Limit	Auto Reset	8A Relay	Remote	DIN Rail	LV G5JW 0000 0315 A	2, 6, 8
146E-3601-3P00	24 VAC	J t/c	32 to 600°F	High Limit	Auto Reset	8A Relay	Remote	DIN Rail	LV G5HW 0032 0600 A	2, 6, 8
146E-3601-3P00	24 VAC	J t/c	0 to 315°C	High Limit	Auto Reset	8A Relay	Remote	DIN Rail	LV G5JW 0000 0315 A	2, 6, 8
146E-3601-3S00	24 VAC	J t/c	32 to 600°F	High Limit	Auto Reset	8A Relay	Remote	DIN Rail	LV G5HW 0032 0600 A	2, 6, 8
146E-3601-3S00	24 VAC	J t/c	0 to 315°C	High Limit	Auto Reset	8A Relay	Remote	DIN Rail	LV G5JW 0000 0315 A	2, 6, 8
146E-3601-4000	24 VAC	J t/c	32 to 600°F	Low Limit	Auto Reset	8A Relay	Integral	DIN Rail	LV G6HZ 0032 0600 A	6, 8
146E-3601-4000	24 VAC	J t/c	0 to 315°C	Low Limit	Auto Reset	8A Relay	Integral	DIN Rail	LV G6JZ 0000 0315 A	6, 8
146E-3601-4N00	24 VAC	J t/c	32 to 600°F	Low Limit	Auto Reset	8A Relay	Remote	DIN Rail	LV G5HZ 0032 0600 A	2, 6, 8
146E-3601-4N00	24 VAC	J t/c	0 to 315°C	Low Limit	Auto Reset	8A Relay	Remote	DIN Rail	LV G5JZ 0000 0315 A	2, 6, 8
146E-3601-4P00	24 VAC	J t/c	32 to 600°F	Low Limit	Auto Reset	8A Relay	Remote	DIN Rail	LV G5HZ 0032 0600 A	2, 6, 8
146E-3601-4P00	24 VAC	J t/c	0 to 315°C	Low Limit	Auto Reset	8A Relay	Remote	DIN Rail	LV G5JZ 0000 0315 A	2, 6, 8
146E-3601-4S00	24 VAC	J t/c	32 to 600°F	Low Limit	Auto Reset	8A Relay	Remote	DIN Rail	LV G5HZ 0032 0600 A	2, 6, 8
146E-3601-4S00	24 VAC	J t/c	0 to 315°C	Low Limit	Auto Reset	8A Relay	Remote	DIN Rail	LV G5JZ 0000 0315 A	2, 6, 8
146E-3602-1000	24 VAC	J t/c	32 to 1382°F	High Limit	Manual Reset	8A Relay	Integral	DIN Rail	LV G6HU 0032 1382 A	6, 8
146E-3602-1000	24 VAC	J t/c	0 to 750°C	High Limit	Manual Reset	8A Relay	Integral	DIN Rail	LV G6JU 0000 0750 A	6, 8
146E-3602-1N00	24 VAC	J t/c	32 to 1382°F	High Limit	Manual Reset	8A Relay	Remote	DIN Rail	LV G5HU 0032 1382 A	2, 6, 8
146E-3602-1N00	24 VAC	J t/c	0 to 750°C	High Limit	Manual Reset	8A Relay	Remote	DIN Rail	LV G5JU 0000 0750 A	2, 6, 8
146E-3602-1P00	24 VAC	J t/c	32 to 1382°F	High Limit	Manual Reset	8A Relay	Remote	DIN Rail	LV G5HU 0032 1382 A	2, 6, 8

Series 146

Series 146	Line Voltage	Input	Temp Range	Control Mode	Action	Output	Set Point	Mounting	Retrofit control	See Notes Below
146E-3602-1P00	24 VAC	J t/c	0 to 750°C	High Limit	Manual Reset	8A Relay	Remote	DIN Rail	LV G5JU 0000 0750 A	2, 6, 8
146E-3602-1S00	24 VAC	J t/c	32 to 1382°F	High Limit	Manual Reset	8A Relay	Remote	DIN Rail	LV G5HU 0032 1382 A	2, 6, 8
146E-3602-1S00	24 VAC	J t/c	0 to 750°C	High Limit	Manual Reset	8A Relay	Remote	DIN Rail	LV G5JU 0000 0750 A	2, 6, 8
146E-3602-2000	24 VAC	J t/c	32 to 1382°F	Low Limit	Manual Reset	8A Relay	Integral	DIN Rail	LV G6HY 0032 1382 A	6, 8
146E-3602-2000	24 VAC	J t/c	0 to 750°C	Low Limit	Manual Reset	8A Relay	Integral	DIN Rail	LV G6JY 0000 0750 A	6, 8
146E-3602-2N00	24 VAC	J t/c	32 to 1382°F	Low Limit	Manual Reset	8A Relay	Remote	DIN Rail	LV G5HY 0032 1382 A	2, 6, 8
146E-3602-2N00	24 VAC	J t/c	0 to 750°C	Low Limit	Manual Reset	8A Relay	Remote	DIN Rail	LV G5JY 0000 0750 A	2, 6, 8
146E-3602-2P00	24 VAC	J t/c	32 to 1382°F	Low Limit	Manual Reset	8A Relay	Remote	DIN Rail	LV G5HY 0032 1382 A	2, 6, 8
146E-3602-2P00	24 VAC	J t/c	0 to 750°C	Low Limit	Manual Reset	8A Relay	Remote	DIN Rail	LV G5JY 0000 0750 A	2, 6, 8
146E-3602-2S00	24 VAC	J t/c	32 to 1382°F	Low Limit	Manual Reset	8A Relay	Remote	DIN Rail	LV G5HY 0032 1382 A	2, 6, 8
146E-3602-2S00	24 VAC	J t/c	0 to 750°C	Low Limit	Manual Reset	8A Relay	Remote	DIN Rail	LV G5JY 0000 0750 A	2, 6, 8
146E-3602-3000	24 VAC	J t/c	32 to 1382°F	High Limit	Auto Reset	8A Relay	Integral	DIN Rail	LV G6HW 0032 1382 A	6, 8
146E-3602-3000	24 VAC	J t/c	0 to 750°C	High Limit	Auto Reset	8A Relay	Integral	DIN Rail	LV G6JW 0000 0750 A	6, 8
146E-3602-3N00	24 VAC	J t/c	32 to 1382°F	High Limit	Auto Reset	8A Relay	Remote	DIN Rail	LV G5HW 0032 1382 A	2, 6, 8
146E-3602-3N00	24 VAC	J t/c	0 to 750°C	High Limit	Auto Reset	8A Relay	Remote	DIN Rail	LV G5JW 0000 0750 A	2, 6, 8
146E-3602-3P00	24 VAC	J t/c	32 to 1382°F	High Limit	Auto Reset	8A Relay	Remote	DIN Rail	LV G5HW 0032 1382 A	2, 6, 8
146E-3602-3P00	24 VAC	J t/c	0 to 750°C	High Limit	Auto Reset	8A Relay	Remote	DIN Rail	LV G5JW 0000 0750 A	2, 6, 8
146E-3602-3S00	24 VAC	J t/c	32 to 1382°F	High Limit	Auto Reset	8A Relay	Remote	DIN Rail	LV G5HW 0032 1382 A	2, 6, 8
146E-3602-3S00	24 VAC	J t/c	0 to 750°C	High Limit	Auto Reset	8A Relay	Remote	DIN Rail	LV G5JW 0000 0750 A	2, 6, 8
146E-3602-4000	24 VAC	J t/c	32 to 1382°F	Low Limit	Auto Reset	8A Relay	Integral	DIN Rail	LV G6HZ 0032 1382 A	6, 8
146E-3602-4000	24 VAC	J t/c	0 to 750°C	Low Limit	Auto Reset	8A Relay	Integral	DIN Rail	LV G6JZ 0000 0750 A	6, 8
146E-3602-4N00	24 VAC	J t/c	32 to 1382°F	Low Limit	Auto Reset	8A Relay	Remote	DIN Rail	LV G5HZ 0032 1382 A	2, 6, 8
146E-3602-4N00	24 VAC	J t/c	0 to 750°C	Low Limit	Auto Reset	8A Relay	Remote	DIN Rail	LV G5JZ 0000 0750 A	2, 6, 8
146E-3602-4P00	24 VAC	J t/c	32 to 1382°F	Low Limit	Auto Reset	8A Relay	Remote	DIN Rail	LV G5HZ 0032 1382 A	2, 6, 8
146E-3602-4P00	24 VAC	J t/c	0 to 750°C	Low Limit	Auto Reset	8A Relay	Remote	DIN Rail	LV G5JZ 0000 0750 A	2, 6, 8
146E-3602-4S00	24 VAC	J t/c	32 to 1382°F	Low Limit	Auto Reset	8A Relay	Remote	DIN Rail	LV G5HZ 0032 1382 A	2, 6, 8
146E-3602-4S00	24 VAC	J t/c	0 to 750°C	Low Limit	Auto Reset	8A Relay	Remote	DIN Rail	LV G5JZ 0000 0750 A	2, 6, 8
146E-3603-1000	24 VAC	K t/c	32 to 2282°F	High Limit	Manual Reset	8A Relay	Integral	DIN Rail	LV G6KU 0032 2282 A	6, 8
146E-3603-1000	24 VAC	K t/c	0 to 1250°C	High Limit	Manual Reset	8A Relay	Integral	DIN Rail	LV G6LU 0000 1250 A	6, 8
146E-3603-1N00	24 VAC	K t/c	32 to 2282°F	High Limit	Manual Reset	8A Relay	Remote	DIN Rail	LV G5KU 0032 2282 A	2, 6, 8
146E-3603-1N00	24 VAC	K t/c	0 to 1250°C	High Limit	Manual Reset	8A Relay	Remote	DIN Rail	LV G5LU 0000 1250 A	2, 6, 8
146E-3603-1P00	24 VAC	K t/c	32 to 2282°F	High Limit	Manual Reset	8A Relay	Remote	DIN Rail	LV G5KU 0032 2282 A	2, 6, 8
146E-3603-1P00	24 VAC	K t/c	0 to 1250°C	High Limit	Manual Reset	8A Relay	Remote	DIN Rail	LV G5LU 0000 1250 A	2, 6, 8
146E-3603-1S00	24 VAC	K t/c	32 to 2282°F	High Limit	Manual Reset	8A Relay	Remote	DIN Rail	LV G5KU 0032 2282 A	2, 6, 8
146E-3603-1S00	24 VAC	K t/c	0 to 1250°C	High Limit	Manual Reset	8A Relay	Remote	DIN Rail	LV G5LU 0000 1250 A	2, 6, 8
146E-3603-2000	24 VAC	K t/c	32 to 2282°F	Low Limit	Manual Reset	8A Relay	Integral	DIN Rail	LV G6KY 0032 2282 A	6, 8
146E-3603-2000	24 VAC	K t/c	0 to 1250°C	Low Limit	Manual Reset	8A Relay	Integral	DIN Rail	LV G6LY 0000 1250 A	6, 8
146E-3603-2N00	24 VAC	K t/c	32 to 2282°F	Low Limit	Manual Reset	8A Relay	Remote	DIN Rail	LV G5KY 0032 2282 A	2, 6, 8
146E-3603-2N00	24 VAC	K t/c	0 to 1250°C	Low Limit	Manual Reset	8A Relay	Remote	DIN Rail	LV G5LY 0000 1250 A	2, 6, 8
146E-3603-2P00	24 VAC	K t/c	32 to 2282°F	Low Limit	Manual Reset	8A Relay	Remote	DIN Rail	LV G5KY 0032 2282 A	2, 6, 8
146E-3603-2P00	24 VAC	K t/c	0 to 1250°C	Low Limit	Manual Reset	8A Relay	Remote	DIN Rail	LV G5LY 0000 1250 A	2, 6, 8

Series 146

Series 146	Line Voltage	Input	Temp Range	Control Mode	Action	Output	Set Point	Mounting	Retrofit control	See Notes Below
146E-3603-2S00	24 VAC	K t/c	32 to 2282°F	Low Limit	Manual Reset	8A Relay	Remote	DIN Rail	LV G5KY 0032 2282 A	2, 6, 8
146E-3603-2S00	24 VAC	K t/c	0 to 1250°C	Low Limit	Manual Reset	8A Relay	Remote	DIN Rail	LV G5LY 0000 1250 A	2, 6, 8
146E-3603-3000	24 VAC	K t/c	32 to 2282°F	High Limit	Auto Reset	8A Relay	Integral	DIN Rail	LV G6KW 0032 2282 A	6, 8
146E-3603-3000	24 VAC	K t/c	0 to 1250°C	High Limit	Auto Reset	8A Relay	Integral	DIN Rail	LV G6LW 0000 1250 A	6, 8
146E-3603-3N00	24 VAC	K t/c	32 to 2282°F	High Limit	Auto Reset	8A Relay	Remote	DIN Rail	LV G5KW 0032 2282 A	2, 6, 8
146E-3603-3N00	24 VAC	K t/c	0 to 1250°C	High Limit	Auto Reset	8A Relay	Remote	DIN Rail	LV G5LW 0000 1250 A	2, 6, 8
146E-3603-3P00	24 VAC	K t/c	32 to 2282°F	High Limit	Auto Reset	8A Relay	Remote	DIN Rail	LV G5KW 0032 2282 A	2, 6, 8
146E-3603-3P00	24 VAC	K t/c	0 to 1250°C	High Limit	Auto Reset	8A Relay	Remote	DIN Rail	LV G5LW 0000 1250 A	2, 6, 8
146E-3603-3S00	24 VAC	K t/c	32 to 2282°F	High Limit	Auto Reset	8A Relay	Remote	DIN Rail	LV G5KW 0032 2282 A	2, 6, 8
146E-3603-3S00	24 VAC	K t/c	0 to 1250°C	High Limit	Auto Reset	8A Relay	Remote	DIN Rail	LV G5LW 0000 1250 A	2, 6, 8
146E-3603-4000	24 VAC	K t/c	32 to 2282°F	Low Limit	Auto Reset	8A Relay	Integral	DIN Rail	LV G6KZ 0032 2282 A	6, 8
146E-3603-4000	24 VAC	K t/c	0 to 1250°C	Low Limit	Auto Reset	8A Relay	Integral	DIN Rail	LV G6LZ 0000 1250 A	6, 8
146E-3603-4N00	24 VAC	K t/c	32 to 2282°F	Low Limit	Auto Reset	8A Relay	Remote	DIN Rail	LV G5KZ 0032 2282 A	2, 6, 8
146E-3603-4N00	24 VAC	K t/c	0 to 1250°C	Low Limit	Auto Reset	8A Relay	Remote	DIN Rail	LV G5LZ 0000 1250 A	2, 6, 8
146E-3603-4P00	24 VAC	K t/c	32 to 2282°F	Low Limit	Auto Reset	8A Relay	Remote	DIN Rail	LV G5KZ 0032 2282 A	2, 6, 8
146E-3603-4P00	24 VAC	K t/c	0 to 1250°C	Low Limit	Auto Reset	8A Relay	Remote	DIN Rail	LV G5LZ 0000 1250 A	2, 6, 8
146E-3603-4S00	24 VAC	K t/c	32 to 2282°F	Low Limit	Auto Reset	8A Relay	Remote	DIN Rail	LV G5KZ 0032 2282 A	2, 6, 8
146E-3603-4S00	24 VAC	K t/c	0 to 1250°C	Low Limit	Auto Reset	8A Relay	Remote	DIN Rail	LV G5LZ 0000 1250 A	2, 6, 8
146E-3611-1000	24 VAC	K t/c	32 to 1112°F	High Limit	Manual Reset	8A Relay	Integral	DIN Rail	LV G6KU 0032 1112 A	6, 8
146E-3611-1000	24 VAC	K t/c	0 to 600°C	High Limit	Manual Reset	8A Relay	Integral	DIN Rail	LV G6LU 0000 0600 A	6, 8
146E-3611-1N00	24 VAC	K t/c	32 to 1112°F	High Limit	Manual Reset	8A Relay	Remote	DIN Rail	LV G5KU 0032 1112 A	2, 6, 8
146E-3611-1N00	24 VAC	K t/c	0 to 600°C	High Limit	Manual Reset	8A Relay	Remote	DIN Rail	LV G5LU 0000 0600 A	2, 6, 8
146E-3611-1P00	24 VAC	K t/c	32 to 1112°F	High Limit	Manual Reset	8A Relay	Remote	DIN Rail	LV G5KU 0032 1112 A	2, 6, 8
146E-3611-1P00	24 VAC	K t/c	0 to 600°C	High Limit	Manual Reset	8A Relay	Remote	DIN Rail	LV G5LU 0000 0600 A	2, 6, 8
146E-3611-1S00	24 VAC	K t/c	32 to 1112°F	High Limit	Manual Reset	8A Relay	Remote	DIN Rail	LV G5KU 0032 1112 A	2, 6, 8
146E-3611-1S00	24 VAC	K t/c	0 to 600°C	High Limit	Manual Reset	8A Relay	Remote	DIN Rail	LV G5LU 0000 0600 A	2, 6, 8
146E-3611-2000	24 VAC	K t/c	32 to 1112°F	Low Limit	Manual Reset	8A Relay	Integral	DIN Rail	LV G6KY 0032 1112 A	6, 8
146E-3611-2000	24 VAC	K t/c	0 to 600°C	Low Limit	Manual Reset	8A Relay	Integral	DIN Rail	LV G6LY 0000 0600 A	6, 8
146E-3611-2N00	24 VAC	K t/c	32 to 1112°F	Low Limit	Manual Reset	8A Relay	Remote	DIN Rail	LV G5KY 0032 1112 A	2, 6, 8
146E-3611-2N00	24 VAC	K t/c	0 to 600°C	Low Limit	Manual Reset	8A Relay	Remote	DIN Rail	LV G5LY 0000 0600 A	2, 6, 8
146E-3611-2P00	24 VAC	K t/c	32 to 1112°F	Low Limit	Manual Reset	8A Relay	Remote	DIN Rail	LV G5KY 0032 1112 A	2, 6, 8
146E-3611-2P00	24 VAC	K t/c	0 to 600°C	Low Limit	Manual Reset	8A Relay	Remote	DIN Rail	LV G5LY 0000 0600 A	2, 6, 8
146E-3611-2S00	24 VAC	K t/c	32 to 1112°F	Low Limit	Manual Reset	8A Relay	Remote	DIN Rail	LV G5KY 0032 1112 A	2, 6, 8
146E-3611-2S00	24 VAC	K t/c	0 to 600°C	Low Limit	Manual Reset	8A Relay	Remote	DIN Rail	LV G5LY 0000 0600 A	2, 6, 8
146E-3611-3000	24 VAC	K t/c	32 to 1112°F	High Limit	Auto Reset	8A Relay	Integral	DIN Rail	LV G6KW 0032 1112 A	6, 8
146E-3611-3000	24 VAC	K t/c	0 to 600°C	High Limit	Auto Reset	8A Relay	Integral	DIN Rail	LV G6LW 0000 0600 A	6, 8
146E-3611-3N00	24 VAC	K t/c	32 to 1112°F	High Limit	Auto Reset	8A Relay	Remote	DIN Rail	LV G5KW 0032 1112 A	2, 6, 8
146E-3611-3N00	24 VAC	K t/c	0 to 600°C	High Limit	Auto Reset	8A Relay	Remote	DIN Rail	LV G5LW 0000 0600 A	2, 6, 8
146E-3611-3P00	24 VAC	K t/c	32 to 1112°F	High Limit	Auto Reset	8A Relay	Remote	DIN Rail	LV G5KW 0032 1112 A	2, 6, 8
146E-3611-3P00	24 VAC	K t/c	0 to 600°C	High Limit	Auto Reset	8A Relay	Remote	DIN Rail	LV G5LW 0000 0600 A	2, 6, 8
146E-3611-3S00	24 VAC	K t/c	32 to 1112°F	High Limit	Auto Reset	8A Relay	Remote	DIN Rail	LV G5KW 0032 1112 A	2, 6, 8

Series 146

Series 146	Line Voltage	Input	Temp Range	Control Mode	Action	Output	Set Point	Mounting	Retrofit control	See Notes Below
146E-3611-3S00	24 VAC	K t/c	0 to 600°C	High Limit	Auto Reset	8A Relay	Remote	DIN Rail	LV G5LW 0000 0600 A	2, 6, 8
146E-3611-4000	24 VAC	K t/c	32 to 1112°F	Low Limit	Auto Reset	8A Relay	Integral	DIN Rail	LV G6KZ 0032 1112 A	6, 8
146E-3611-4000	24 VAC	K t/c	0 to 600°C	Low Limit	Auto Reset	8A Relay	Integral	DIN Rail	LV G6LZ 0000 0600 A	6, 8
146E-3611-4N00	24 VAC	K t/c	32 to 1112°F	Low Limit	Auto Reset	8A Relay	Remote	DIN Rail	LV G5KZ 0032 1112 A	2, 6, 8
146E-3611-4N00	24 VAC	K t/c	0 to 600°C	Low Limit	Auto Reset	8A Relay	Remote	DIN Rail	LV G5LZ 0000 0600 A	2, 6, 8
146E-3611-4P00	24 VAC	K t/c	32 to 1112°F	Low Limit	Auto Reset	8A Relay	Remote	DIN Rail	LV G5KZ 0032 1112 A	2, 6, 8
146E-3611-4P00	24 VAC	K t/c	0 to 600°C	Low Limit	Auto Reset	8A Relay	Remote	DIN Rail	LV G5LZ 0000 0600 A	2, 6, 8
146E-3611-4S00	24 VAC	K t/c	32 to 1112°F	Low Limit	Auto Reset	8A Relay	Remote	DIN Rail	LV G5KZ 0032 1112 A	2, 6, 8
146E-3611-4S00	24 VAC	K t/c	0 to 600°C	Low Limit	Auto Reset	8A Relay	Remote	DIN Rail	LV G5LZ 0000 0600 A	2, 6, 8
146E-3615-1000	24 VAC	J t/c	315°C	High Limit	Manual Reset	8A Relay	Fixed	DIN Rail	LF G6HU 0315 AAAA A	6, 8
146E-3615-1000	24 VAC	J t/c	600°F	High Limit	Manual Reset	8A Relay	Fixed	DIN Rail	LF G6HU 0600 AAAA A	6, 8
146E-3615-2000	24 VAC	J t/c	315°C	Low Limit	Manual Reset	8A Relay	Integral	DIN Rail	LF G6HY 0315 AAAA A	6, 8
146E-3615-2000	24 VAC	J t/c	600°F	Low Limit	Manual Reset	8A Relay	Fixed	DIN Rail	LF G6HY 0600 AAAA A	6, 8
146E-3615-3000	24 VAC	J t/c	315°C	High Limit	Auto Reset	8A Relay	Integral	DIN Rail	LF G6HW 0315 AAAA A	6, 8
146E-3615-3000	24 VAC	J t/c	600°F	High Limit	Auto Reset	8A Relay	Fixed	DIN Rail	LF G6HW 0600 AAAA A	6, 8
146E-3615-4000	24 VAC	J t/c	315°C	Low Limit	Auto Reset	8A Relay	Integral	DIN Rail	LF G6HZ 0315 AAAA A	6, 8
146E-3615-4000	24 VAC	J t/c	600°F	Low Limit	Auto Reset	8A Relay	Fixed	DIN Rail	LF G6HZ 0600 AAAA A	6, 8
146E-3618-1000	24 VAC	J t/c	0 to 200°F	High Limit	Manual Reset	8A Relay	Integral	DIN Rail	LV G6HU 0000 0200 A	6, 8
146E-3618-1000	24 VAC	J t/c	-17 to 93°C	High Limit	Manual Reset	8A Relay	Integral	DIN Rail	LV G6JU -017 0093 A	6, 8
146E-3618-1N00	24 VAC	J t/c	0 to 200°F	High Limit	Manual Reset	8A Relay	Remote	DIN Rail	LV G5HU 0000 0200 A	2, 6, 8
146E-3618-1N00	24 VAC	J t/c	-17 to 93°C	High Limit	Manual Reset	8A Relay	Remote	DIN Rail	LV G5JU -017 0093 A	2, 6, 8
146E-3618-1P00	24 VAC	J t/c	0 to 200°F	High Limit	Manual Reset	8A Relay	Remote	DIN Rail	LV G5HU 0000 0200 A	2, 6, 8
146E-3618-1P00	24 VAC	J t/c	-17 to 93°C	High Limit	Manual Reset	8A Relay	Remote	DIN Rail	LV G5JU -017 0093 A	2, 6, 8
146E-3618-1S00	24 VAC	J t/c	0 to 200°F	High Limit	Manual Reset	8A Relay	Remote	DIN Rail	LV G5HU 0000 0200 A	2, 6, 8
146E-3618-1S00	24 VAC	J t/c	-17 to 93°C	High Limit	Manual Reset	8A Relay	Remote	DIN Rail	LV G5JU -017 0093 A	2, 6, 8
146E-3618-2000	24 VAC	J t/c	0 to 200°F	Low Limit	Manual Reset	8A Relay	Integral	DIN Rail	LV G6HY 0000 0200 A	6, 8
146E-3618-2000	24 VAC	J t/c	-17 to 93°C	Low Limit	Manual Reset	8A Relay	Integral	DIN Rail	LV G6JY -017 0093 A	6, 8
146E-3618-2N00	24 VAC	J t/c	0 to 200°F	Low Limit	Manual Reset	8A Relay	Remote	DIN Rail	LV G5HY 0000 0200 A	2, 6, 8
146E-3618-2N00	24 VAC	J t/c	-17 to 93°C	Low Limit	Manual Reset	8A Relay	Remote	DIN Rail	LV G5JY -017 0093 A	2, 6, 8
146E-3618-2P00	24 VAC	J t/c	0 to 200°F	Low Limit	Manual Reset	8A Relay	Remote	DIN Rail	LV G5HY 0000 0200 A	2, 6, 8
146E-3618-2P00	24 VAC	J t/c	-17 to 93°C	Low Limit	Manual Reset	8A Relay	Remote	DIN Rail	LV G5JY -017 0093 A	2, 6, 8
146E-3618-2S00	24 VAC	J t/c	0 to 200°F	Low Limit	Manual Reset	8A Relay	Remote	DIN Rail	LV G5HY 0000 0200 A	2, 6, 8
146E-3618-2S00	24 VAC	J t/c	-17 to 93°C	Low Limit	Manual Reset	8A Relay	Remote	DIN Rail	LV G5JY -017 0093 A	2, 6, 8
146E-3618-3000	24 VAC	J t/c	0 to 200°F	High Limit	Auto Reset	8A Relay	Integral	DIN Rail	LV G6HW 0000 0200 A	6, 8
146E-3618-3000	24 VAC	J t/c	-17 to 93°C	High Limit	Auto Reset	8A Relay	Integral	DIN Rail	LV G6JW -017 0093 A	6, 8
146E-3618-3N00	24 VAC	J t/c	0 to 200°F	High Limit	Auto Reset	8A Relay	Remote	DIN Rail	LV G5HW 0000 0200 A	2, 6, 8
146E-3618-3N00	24 VAC	J t/c	-17 to 93°C	High Limit	Auto Reset	8A Relay	Remote	DIN Rail	LV G5JW -017 0093 A	2, 6, 8
146E-3618-3P00	24 VAC	J t/c	0 to 200°F	High Limit	Auto Reset	8A Relay	Remote	DIN Rail	LV G5HW 0000 0200 A	2, 6, 8
146E-3618-3P00	24 VAC	J t/c	-17 to 93°C	High Limit	Auto Reset	8A Relay	Remote	DIN Rail	LV G5JW -017 0093 A	2, 6, 8
146E-3618-3S00	24 VAC	J t/c	0 to 200°F	High Limit	Auto Reset	8A Relay	Remote	DIN Rail	LV G5HW 0000 0200 A	2, 6, 8
146E-3618-3S00	24 VAC	J t/c	-17 to 93°C	High Limit	Auto Reset	8A Relay	Remote	DIN Rail	LV G5JW -017 0093 A	2, 6, 8

Series 146

Series 146	Line Voltage	Input	Temp Range	Control Mode	Action	Output	Set Point	Mounting	Retrofit control	See Notes Below
146E-3618-4000	24 VAC	J t/c	0 to 200°F	Low Limit	Auto Reset	8A Relay	Integral	DIN Rail	LV G6HZ 0000 0200 A	6, 8
146E-3618-4000	24 VAC	J t/c	-17 to 93°C	Low Limit	Auto Reset	8A Relay	Integral	DIN Rail	LV G6JZ -017 0093 A	6, 8
146E-3618-4N00	24 VAC	J t/c	0 to 200°F	Low Limit	Auto Reset	8A Relay	Remote	DIN Rail	LV G5HZ 0000 0200 A	2, 6, 8
146E-3618-4N00	24 VAC	J t/c	-17 to 93°C	Low Limit	Auto Reset	8A Relay	Remote	DIN Rail	LV G5JZ -017 0093 A	2, 6, 8
146E-3618-4P00	24 VAC	J t/c	0 to 200°F	Low Limit	Auto Reset	8A Relay	Remote	DIN Rail	LV G5HZ 0000 0200 A	2, 6, 8
146E-3618-4P00	24 VAC	J t/c	-17 to 93°C	Low Limit	Auto Reset	8A Relay	Remote	DIN Rail	LV G5JZ -017 0093 A	2, 6, 8
146E-3618-4S00	24 VAC	J t/c	0 to 200°F	Low Limit	Auto Reset	8A Relay	Remote	DIN Rail	LV G5HZ 0000 0200 A	2, 6, 8
146E-3618-4S00	24 VAC	J t/c	-17 to 93°C	Low Limit	Auto Reset	8A Relay	Remote	DIN Rail	LV G5JZ -017 0093 A	2, 6, 8
146E-3619-1000	24 VAC	E t/c	32 to 1470°F	High Limit	Manual Reset	8A Relay	Integral	DIN Rail	LV G6SU 0032 1470 A	6, 8
146E-3619-1000	24 VAC	E t/c	0 to 799°C	High Limit	Manual Reset	8A Relay	Integral	DIN Rail	LV G6TU 0000 0799 A	6, 8
146E-3619-1N00	24 VAC	E t/c	32 to 1470°F	High Limit	Manual Reset	8A Relay	Remote	DIN Rail	LV G5SU 0032 1470 A	2, 6, 8
146E-3619-1N00	24 VAC	E t/c	0 to 799°C	High Limit	Manual Reset	8A Relay	Remote	DIN Rail	LV G5TU 0000 0799 A	2, 6, 8
146E-3619-1P00	24 VAC	E t/c	32 to 1470°F	High Limit	Manual Reset	8A Relay	Remote	DIN Rail	LV G5SU 0032 1470 A	2, 6, 8
146E-3619-1P00	24 VAC	E t/c	0 to 799°C	High Limit	Manual Reset	8A Relay	Remote	DIN Rail	LV G5TU 0000 0799 A	2, 6, 8
146E-3619-1S00	24 VAC	E t/c	32 to 1470°F	High Limit	Manual Reset	8A Relay	Remote	DIN Rail	LV G5SU 0032 1470 A	2, 6, 8
146E-3619-1S00	24 VAC	E t/c	0 to 799°C	High Limit	Manual Reset	8A Relay	Remote	DIN Rail	LV G5TU 0000 0799 A	2, 6, 8
146E-3619-2000	24 VAC	E t/c	32 to 1470°F	Low Limit	Manual Reset	8A Relay	Integral	DIN Rail	LV G6SY 0032 1470 A	6, 8
146E-3619-2000	24 VAC	E t/c	0 to 799°C	Low Limit	Manual Reset	8A Relay	Integral	DIN Rail	LV G6TY 0000 0799 A	6, 8
146E-3619-2N00	24 VAC	E t/c	32 to 1470°F	Low Limit	Manual Reset	8A Relay	Remote	DIN Rail	LV G5SY 0032 1470 A	2, 6, 8
146E-3619-2N00	24 VAC	E t/c	0 to 799°C	Low Limit	Manual Reset	8A Relay	Remote	DIN Rail	LV G5TY 0000 0799 A	2, 6, 8
146E-3619-2P00	24 VAC	E t/c	32 to 1470°F	Low Limit	Manual Reset	8A Relay	Remote	DIN Rail	LV G5SY 0032 1470 A	2, 6, 8
146E-3619-2P00	24 VAC	E t/c	0 to 799°C	Low Limit	Manual Reset	8A Relay	Remote	DIN Rail	LV G5TY 0000 0799 A	2, 6, 8
146E-3619-2S00	24 VAC	E t/c	32 to 1470°F	Low Limit	Manual Reset	8A Relay	Remote	DIN Rail	LV G5SY 0032 1470 A	2, 6, 8
146E-3619-2S00	24 VAC	E t/c	0 to 799°C	Low Limit	Manual Reset	8A Relay	Remote	DIN Rail	LV G5TY 0000 0799 A	2, 6, 8
146E-3619-3000	24 VAC	E t/c	32 to 1470°F	High Limit	Auto Reset	8A Relay	Integral	DIN Rail	LV G6SW 0032 1470 A	6, 8
146E-3619-3000	24 VAC	E t/c	0 to 799°C	High Limit	Auto Reset	8A Relay	Integral	DIN Rail	LV G6TW 0000 0799 A	6, 8
146E-3619-3N00	24 VAC	E t/c	32 to 1470°F	High Limit	Auto Reset	8A Relay	Remote	DIN Rail	LV G5SW 0032 1470 A	2, 6, 8
146E-3619-3N00	24 VAC	E t/c	0 to 799°C	High Limit	Auto Reset	8A Relay	Remote	DIN Rail	LV G5TW 0000 0799 A	2, 6, 8
146E-3619-3P00	24 VAC	E t/c	32 to 1470°F	High Limit	Auto Reset	8A Relay	Remote	DIN Rail	LV G5SW 0032 1470 A	2, 6, 8
146E-3619-3P00	24 VAC	E t/c	0 to 799°C	High Limit	Auto Reset	8A Relay	Remote	DIN Rail	LV G5TW 0000 0799 A	2, 6, 8
146E-3619-3S00	24 VAC	E t/c	32 to 1470°F	High Limit	Auto Reset	8A Relay	Remote	DIN Rail	LV G5SW 0032 1470 A	2, 6, 8
146E-3619-3S00	24 VAC	E t/c	0 to 799°C	High Limit	Auto Reset	8A Relay	Remote	DIN Rail	LV G5TW 0000 0799 A	2, 6, 8
146E-3619-4000	24 VAC	E t/c	32 to 1470°F	Low Limit	Auto Reset	8A Relay	Integral	DIN Rail	LV G6SZ 0032 1470 A	6, 8
146E-3619-4000	24 VAC	E t/c	0 to 799°C	Low Limit	Auto Reset	8A Relay	Integral	DIN Rail	LV G6TZ 0000 0799 A	6, 8
146E-3619-4N00	24 VAC	E t/c	32 to 1470°F	Low Limit	Auto Reset	8A Relay	Remote	DIN Rail	LV G5SZ 0032 1470 A	2, 6, 8
146E-3619-4N00	24 VAC	E t/c	0 to 799°C	Low Limit	Auto Reset	8A Relay	Remote	DIN Rail	LV G5TZ 0000 0799 A	2, 6, 8
146E-3619-4P00	24 VAC	E t/c	32 to 1470°F	Low Limit	Auto Reset	8A Relay	Remote	DIN Rail	LV G5SZ 0032 1470 A	2, 6, 8
146E-3619-4P00	24 VAC	E t/c	0 to 799°C	Low Limit	Auto Reset	8A Relay	Remote	DIN Rail	LV G5TZ 0000 0799 A	2, 6, 8
146E-3619-4S00	24 VAC	E t/c	32 to 1470°F	Low Limit	Auto Reset	8A Relay	Remote	DIN Rail	LV G5SZ 0032 1470 A	2, 6, 8
146E-3619-4S00	24 VAC	E t/c	0 to 799°C	Low Limit	Auto Reset	8A Relay	Remote	DIN Rail	LV G5TZ 0000 0799 A	2, 6, 8
146E-3620-1000	24 VAC	J t/c	300 to 800°F	High Limit	Manual Reset	8A Relay	Integral	DIN Rail	LV G6HU 0300 0800 A	6, 8

Series 146

Series 146	Line Voltage	Input	Temp Range	Control Mode	Action	Output	Set Point	Mounting	Retrofit control	See Notes Below
146E-3620-1000	24 VAC	J t/c	149 to 427°C	High Limit	Manual Reset	8A Relay	Integral	DIN Rail	LV G6JU 0149 0427 A	6, 8
146E-3620-1N00	24 VAC	J t/c	300 to 800°F	High Limit	Manual Reset	8A Relay	Remote	DIN Rail	LV G5HU 0300 0800 A	2, 6, 8
146E-3620-1N00	24 VAC	J t/c	149 to 427°C	High Limit	Manual Reset	8A Relay	Remote	DIN Rail	LV G5JU 0149 0427 A	2, 6, 8
146E-3620-1P00	24 VAC	J t/c	300 to 800°F	High Limit	Manual Reset	8A Relay	Remote	DIN Rail	LV G5HU 0300 0800 A	2, 6, 8
146E-3620-1P00	24 VAC	J t/c	149 to 427°C	High Limit	Manual Reset	8A Relay	Remote	DIN Rail	LV G5JU 0149 0427 A	2, 6, 8
146E-3620-1S00	24 VAC	J t/c	300 to 800°F	High Limit	Manual Reset	8A Relay	Remote	DIN Rail	LV G5HU 0300 0800 A	2, 6, 8
146E-3620-1S00	24 VAC	J t/c	149 to 427°C	High Limit	Manual Reset	8A Relay	Remote	DIN Rail	LV G5JU 0149 0427 A	2, 6, 8
146E-3620-2000	24 VAC	J t/c	300 to 800°F	Low Limit	Manual Reset	8A Relay	Integral	DIN Rail	LV G6HY 0300 0800 A	6, 8
146E-3620-2000	24 VAC	J t/c	149 to 427°C	Low Limit	Manual Reset	8A Relay	Integral	DIN Rail	LV G6JY 0149 0427 A	6, 8
146E-3620-2N00	24 VAC	J t/c	300 to 800°F	Low Limit	Manual Reset	8A Relay	Remote	DIN Rail	LV G5HY 0300 0800 A	2, 6, 8
146E-3620-2N00	24 VAC	J t/c	149 to 427°C	Low Limit	Manual Reset	8A Relay	Remote	DIN Rail	LV G5JY 0149 0427 A	2, 6, 8
146E-3620-2P00	24 VAC	J t/c	300 to 800°F	Low Limit	Manual Reset	8A Relay	Remote	DIN Rail	LV G5HY 0300 0800 A	2, 6, 8
146E-3620-2P00	24 VAC	J t/c	149 to 427°C	Low Limit	Manual Reset	8A Relay	Remote	DIN Rail	LV G5JY 0149 0427 A	2, 6, 8
146E-3620-2S00	24 VAC	J t/c	300 to 800°F	Low Limit	Manual Reset	8A Relay	Remote	DIN Rail	LV G5HY 0300 0800 A	2, 6, 8
146E-3620-2S00	24 VAC	J t/c	149 to 427°C	Low Limit	Manual Reset	8A Relay	Remote	DIN Rail	LV G5JY 0149 0427 A	2, 6, 8
146E-3620-3000	24 VAC	J t/c	300 to 800°F	High Limit	Auto Reset	8A Relay	Integral	DIN Rail	LV G6HW 0300 0800 A	6, 8
146E-3620-3000	24 VAC	J t/c	149 to 427°C	High Limit	Auto Reset	8A Relay	Integral	DIN Rail	LV G6JW 0149 0427 A	6, 8
146E-3620-3N00	24 VAC	J t/c	300 to 800°F	High Limit	Auto Reset	8A Relay	Remote	DIN Rail	LV G5HW 0300 0800 A	2, 6, 8
146E-3620-3N00	24 VAC	J t/c	149 to 427°C	High Limit	Auto Reset	8A Relay	Remote	DIN Rail	LV G5JW 0149 0427 A	2, 6, 8
146E-3620-3P00	24 VAC	J t/c	300 to 800°F	High Limit	Auto Reset	8A Relay	Remote	DIN Rail	LV G5HW 0300 0800 A	2, 6, 8
146E-3620-3P00	24 VAC	J t/c	149 to 427°C	High Limit	Auto Reset	8A Relay	Remote	DIN Rail	LV G5JW 0149 0427 A	2, 6, 8
146E-3620-3S00	24 VAC	J t/c	300 to 800°F	High Limit	Auto Reset	8A Relay	Remote	DIN Rail	LV G5HW 0300 0800 A	2, 6, 8
146E-3620-3S00	24 VAC	J t/c	149 to 427°C	High Limit	Auto Reset	8A Relay	Remote	DIN Rail	LV G5JW 0149 0427 A	2, 6, 8
146E-3620-4000	24 VAC	J t/c	300 to 800°F	Low Limit	Auto Reset	8A Relay	Integral	DIN Rail	LV G6HZ 0300 0800 A	6, 8
146E-3620-4000	24 VAC	J t/c	149 to 427°C	Low Limit	Auto Reset	8A Relay	Integral	DIN Rail	LV G6JZ 0149 0427 A	6, 8
146E-3620-4N00	24 VAC	J t/c	300 to 800°F	Low Limit	Auto Reset	8A Relay	Remote	DIN Rail	LV G5HZ 0300 0800 A	2, 6, 8
146E-3620-4N00	24 VAC	J t/c	149 to 427°C	Low Limit	Auto Reset	8A Relay	Remote	DIN Rail	LV G5JZ 0149 0427 A	2, 6, 8
146E-3620-4P00	24 VAC	J t/c	300 to 800°F	Low Limit	Auto Reset	8A Relay	Remote	DIN Rail	LV G5HZ 0300 0800 A	2, 6, 8
146E-3620-4P00	24 VAC	J t/c	149 to 427°C	Low Limit	Auto Reset	8A Relay	Remote	DIN Rail	LV G5JZ 0149 0427 A	2, 6, 8
146E-3620-4S00	24 VAC	J t/c	300 to 800°F	Low Limit	Auto Reset	8A Relay	Remote	DIN Rail	LV G5HZ 0300 0800 A	2, 6, 8
146E-3620-4S00	24 VAC	J t/c	149 to 427°C	Low Limit	Auto Reset	8A Relay	Remote	DIN Rail	LV G5JZ 0149 0427 A	2, 6, 8
146E-3623-1000	24 VAC	J t/c	110 to 130°F	High Limit	Manual Reset	8A Relay	Integral	DIN Rail	LV G6HU 0110 0130 A	6, 8
146E-3623-1000	24 VAC	J t/c	43 to 54°C	High Limit	Manual Reset	8A Relay	Integral	DIN Rail	LV G6JU 0043 0054 A	6, 8
146E-3623-1N00	24 VAC	J t/c	110 to 130°F	High Limit	Manual Reset	8A Relay	Remote	DIN Rail	LV G5HU 0110 0130 A	2, 6, 8
146E-3623-1N00	24 VAC	J t/c	43 to 54°C	High Limit	Manual Reset	8A Relay	Remote	DIN Rail	LV G5JU 0043 0054 A	2, 6, 8
146E-3623-1P00	24 VAC	J t/c	110 to 130°F	High Limit	Manual Reset	8A Relay	Remote	DIN Rail	LV G5HU 0110 0130 A	2, 6, 8
146E-3623-1P00	24 VAC	J t/c	43 to 54°C	High Limit	Manual Reset	8A Relay	Remote	DIN Rail	LV G5JU 0043 0054 A	2, 6, 8
146E-3623-1S00	24 VAC	J t/c	110 to 130°F	High Limit	Manual Reset	8A Relay	Remote	DIN Rail	LV G5HU 0110 0130 A	2, 6, 8
146E-3623-1S00	24 VAC	J t/c	43 to 54°C	High Limit	Manual Reset	8A Relay	Remote	DIN Rail	LV G5JU 0043 0054 A	2, 6, 8
146E-3623-2000	24 VAC	J t/c	110 to 130°F	Low Limit	Manual Reset	8A Relay	Integral	DIN Rail	LV G6HY 0110 0130 A	6, 8
146E-3623-2000	24 VAC	J t/c	43 to 54°C	Low Limit	Manual Reset	8A Relay	Integral	DIN Rail	LV G6JY 0043 0054 A	6, 8

Series 146

Series 146	Line Voltage	Input	Temp Range	Control Mode	Action	Output	Set Point	Mounting	Retrofit control	See Notes Below
146E-3623-2N00	24 VAC	J t/c	110 to 130°F	Low Limit	Manual Reset	8A Relay	Remote	DIN Rail	LV G5HY 0110 0130 A	2, 6, 8
146E-3623-2N00	24 VAC	J t/c	43 to 54°C	Low Limit	Manual Reset	8A Relay	Remote	DIN Rail	LV G5JY 0043 0054 A	2, 6, 8
146E-3623-2P00	24 VAC	J t/c	110 to 130°F	Low Limit	Manual Reset	8A Relay	Remote	DIN Rail	LV G5HY 0110 0130 A	2, 6, 8
146E-3623-2P00	24 VAC	J t/c	43 to 54°C	Low Limit	Manual Reset	8A Relay	Remote	DIN Rail	LV G5JY 0043 0054 A	2, 6, 8
146E-3623-2S00	24 VAC	J t/c	110 to 130°F	Low Limit	Manual Reset	8A Relay	Remote	DIN Rail	LV G5HY 0110 0130 A	2, 6, 8
146E-3623-2S00	24 VAC	J t/c	43 to 54°C	Low Limit	Manual Reset	8A Relay	Remote	DIN Rail	LV G5JY 0043 0054 A	2, 6, 8
146E-3623-3000	24 VAC	J t/c	110 to 130°F	High Limit	Auto Reset	8A Relay	Integral	DIN Rail	LV G6HW 0110 0130 A	6, 8
146E-3623-3000	24 VAC	J t/c	43 to 54°C	High Limit	Auto Reset	8A Relay	Integral	DIN Rail	LV G6JW 0043 0054 A	6, 8
146E-3623-3N00	24 VAC	J t/c	110 to 130°F	High Limit	Auto Reset	8A Relay	Remote	DIN Rail	LV G5HW 0110 0130 A	2, 6, 8
146E-3623-3N00	24 VAC	J t/c	43 to 54°C	High Limit	Auto Reset	8A Relay	Remote	DIN Rail	LV G5JW 0043 0054 A	2, 6, 8
146E-3623-3P00	24 VAC	J t/c	110 to 130°F	High Limit	Auto Reset	8A Relay	Remote	DIN Rail	LV G5HW 0110 0130 A	2, 6, 8
146E-3623-3P00	24 VAC	J t/c	43 to 54°C	High Limit	Auto Reset	8A Relay	Remote	DIN Rail	LV G5JW 0043 0054 A	2, 6, 8
146E-3623-3S00	24 VAC	J t/c	110 to 130°F	High Limit	Auto Reset	8A Relay	Remote	DIN Rail	LV G5HW 0110 0130 A	2, 6, 8
146E-3623-3S00	24 VAC	J t/c	43 to 54°C	High Limit	Auto Reset	8A Relay	Remote	DIN Rail	LV G5JW 0043 0054 A	2, 6, 8
146E-3623-4000	24 VAC	J t/c	110 to 130°F	Low Limit	Auto Reset	8A Relay	Integral	DIN Rail	LV G6HZ 0110 0130 A	6, 8
146E-3623-4000	24 VAC	J t/c	43 to 54°C	Low Limit	Auto Reset	8A Relay	Integral	DIN Rail	LV G6JZ 0043 0054 A	6, 8
146E-3623-4N00	24 VAC	J t/c	110 to 130°F	Low Limit	Auto Reset	8A Relay	Remote	DIN Rail	LV G5HZ 0110 0130 A	2, 6, 8
146E-3623-4N00	24 VAC	J t/c	43 to 54°C	Low Limit	Auto Reset	8A Relay	Remote	DIN Rail	LV G5JZ 0043 0054 A	2, 6, 8
146E-3623-4P00	24 VAC	J t/c	110 to 130°F	Low Limit	Auto Reset	8A Relay	Remote	DIN Rail	LV G5HZ 0110 0130 A	2, 6, 8
146E-3623-4P00	24 VAC	J t/c	43 to 54°C	Low Limit	Auto Reset	8A Relay	Remote	DIN Rail	LV G5JZ 0043 0054 A	2, 6, 8
146E-3623-4S00	24 VAC	J t/c	110 to 130°F	Low Limit	Auto Reset	8A Relay	Remote	DIN Rail	LV G5HZ 0110 0130 A	2, 6, 8
146E-3623-4S00	24 VAC	J t/c	43 to 54°C	Low Limit	Auto Reset	8A Relay	Remote	DIN Rail	LV G5JZ 0043 0054 A	2, 6, 8
146E-3625-1000	24 VAC	J t/c	250 to 430°F	High Limit	Manual Reset	8A Relay	Integral	DIN Rail	LV G6HU 0250 0430 A	6, 8
146E-3625-1000	24 VAC	J t/c	121 to 221°C	High Limit	Manual Reset	8A Relay	Integral	DIN Rail	LV G6JU 0121 0221 A	6, 8
146E-3625-1N00	24 VAC	J t/c	250 to 430°F	High Limit	Manual Reset	8A Relay	Remote	DIN Rail	LV G5HU 0250 0430 A	2, 6, 8
146E-3625-1N00	24 VAC	J t/c	121 to 221°C	High Limit	Manual Reset	8A Relay	Remote	DIN Rail	LV G5JU 0121 0221 A	2, 6, 8
146E-3625-1P00	24 VAC	J t/c	250 to 430°F	High Limit	Manual Reset	8A Relay	Remote	DIN Rail	LV G5HU 0250 0430 A	2, 6, 8
146E-3625-1P00	24 VAC	J t/c	121 to 221°C	High Limit	Manual Reset	8A Relay	Remote	DIN Rail	LV G5JU 0121 0221 A	2, 6, 8
146E-3625-1S00	24 VAC	J t/c	250 to 430°F	High Limit	Manual Reset	8A Relay	Remote	DIN Rail	LV G5HU 0250 0430 A	2, 6, 8
146E-3625-1S00	24 VAC	J t/c	121 to 221°C	High Limit	Manual Reset	8A Relay	Remote	DIN Rail	LV G5JU 0121 0221 A	2, 6, 8
146E-3625-2000	24 VAC	J t/c	250 to 430°F	Low Limit	Manual Reset	8A Relay	Integral	DIN Rail	LV G6HY 0250 0430 A	6, 8
146E-3625-2000	24 VAC	J t/c	121 to 221°C	Low Limit	Manual Reset	8A Relay	Integral	DIN Rail	LV G6JY 0121 0221 A	6, 8
146E-3625-2N00	24 VAC	J t/c	250 to 430°F	Low Limit	Manual Reset	8A Relay	Remote	DIN Rail	LV G5HY 0250 0430 A	2, 6, 8
146E-3625-2N00	24 VAC	J t/c	121 to 221°C	Low Limit	Manual Reset	8A Relay	Remote	DIN Rail	LV G5JY 0121 0221 A	2, 6, 8
146E-3625-2P00	24 VAC	J t/c	250 to 430°F	Low Limit	Manual Reset	8A Relay	Remote	DIN Rail	LV G5HY 0250 0430 A	2, 6, 8
146E-3625-2P00	24 VAC	J t/c	121 to 221°C	Low Limit	Manual Reset	8A Relay	Remote	DIN Rail	LV G5JY 0121 0221 A	2, 6, 8
146E-3625-2S00	24 VAC	J t/c	250 to 430°F	Low Limit	Manual Reset	8A Relay	Remote	DIN Rail	LV G5HY 0250 0430 A	2, 6, 8
146E-3625-2S00	24 VAC	J t/c	121 to 221°C	Low Limit	Manual Reset	8A Relay	Remote	DIN Rail	LV G5JY 0121 0221 A	2, 6, 8
146E-3625-3000	24 VAC	J t/c	250 to 430°F	High Limit	Auto Reset	8A Relay	Integral	DIN Rail	LV G6HW 0250 0430 A	6, 8
146E-3625-3000	24 VAC	J t/c	121 to 221°C	High Limit	Auto Reset	8A Relay	Integral	DIN Rail	LV G6JW 0121 0221 A	6, 8
146E-3625-3N00	24 VAC	J t/c	250 to 430°F	High Limit	Auto Reset	8A Relay	Remote	DIN Rail	LV G5HW 0250 0430 A	2, 6, 8

Series 146

Series 146	Line Voltage	Input	Temp Range	Control Mode	Action	Output	Set Point	Mounting	Retrofit control	See Notes Below
146E-3625-3N00	24 VAC	J t/c	121 to 221°C	High Limit	Auto Reset	8A Relay	Remote	DIN Rail	LV G5JW 0121 0221 A	2, 6, 8
146E-3625-3P00	24 VAC	J t/c	250 to 430°F	High Limit	Auto Reset	8A Relay	Remote	DIN Rail	LV G5HW 0250 0430 A	2, 6, 8
146E-3625-3P00	24 VAC	J t/c	121 to 221°C	High Limit	Auto Reset	8A Relay	Remote	DIN Rail	LV G5JW 0121 0221 A	2, 6, 8
146E-3625-3S00	24 VAC	J t/c	250 to 430°F	High Limit	Auto Reset	8A Relay	Remote	DIN Rail	LV G5HW 0250 0430 A	2, 6, 8
146E-3625-3S00	24 VAC	J t/c	121 to 221°C	High Limit	Auto Reset	8A Relay	Remote	DIN Rail	LV G5JW 0121 0221 A	2, 6, 8
146E-3625-4000	24 VAC	J t/c	250 to 430°F	Low Limit	Auto Reset	8A Relay	Integral	DIN Rail	LV G6HZ 0250 0430 A	6, 8
146E-3625-4000	24 VAC	J t/c	121 to 221°C	Low Limit	Auto Reset	8A Relay	Integral	DIN Rail	LV G6JY 0121 0221 A	6, 8
146E-3625-4N00	24 VAC	J t/c	250 to 430°F	Low Limit	Auto Reset	8A Relay	Remote	DIN Rail	LV G5HZ 0250 0430 A	2, 6, 8
146E-3625-4N00	24 VAC	J t/c	121 to 221°C	Low Limit	Auto Reset	8A Relay	Remote	DIN Rail	LV G5JY 0121 0221 A	2, 6, 8
146E-3625-4P00	24 VAC	J t/c	250 to 430°F	Low Limit	Auto Reset	8A Relay	Remote	DIN Rail	LV G5HZ 0250 0430 A	2, 6, 8
146E-3625-4P00	24 VAC	J t/c	121 to 221°C	Low Limit	Auto Reset	8A Relay	Remote	DIN Rail	LV G5JY 0121 0221 A	2, 6, 8
146E-3625-4S00	24 VAC	J t/c	250 to 430°F	Low Limit	Auto Reset	8A Relay	Remote	DIN Rail	LV G5HZ 0250 0430 A	2, 6, 8
146E-3625-4S00	24 VAC	J t/c	121 to 221°C	Low Limit	Auto Reset	8A Relay	Remote	DIN Rail	LV G5JY 0121 0221 A	2, 6, 8
146E-3626-1000	24 VAC	K t/c	60 to 300°F	High Limit	Manual Reset	8A Relay	Integral	DIN Rail	LV G6KU 0060 0300 A	6, 8
146E-3626-1000	24 VAC	K t/c	16 to 149°C	High Limit	Manual Reset	8A Relay	Integral	DIN Rail	LV G6LU 0016 0149 A	6, 8
146E-3626-1N00	24 VAC	K t/c	60 to 300°F	High Limit	Manual Reset	8A Relay	Remote	DIN Rail	LV G5KU 0060 0300 A	2, 6, 8
146E-3626-1N00	24 VAC	K t/c	16 to 149°C	High Limit	Manual Reset	8A Relay	Remote	DIN Rail	LV G5LU 0016 0149 A	2, 6, 8
146E-3626-1P00	24 VAC	K t/c	60 to 300°F	High Limit	Manual Reset	8A Relay	Remote	DIN Rail	LV G5KU 0060 0300 A	2, 6, 8
146E-3626-1P00	24 VAC	K t/c	16 to 149°C	High Limit	Manual Reset	8A Relay	Remote	DIN Rail	LV G5LU 0016 0149 A	2, 6, 8
146E-3626-1S00	24 VAC	K t/c	60 to 300°F	High Limit	Manual Reset	8A Relay	Remote	DIN Rail	LV G5KU 0060 0300 A	2, 6, 8
146E-3626-1S00	24 VAC	K t/c	16 to 149°C	High Limit	Manual Reset	8A Relay	Remote	DIN Rail	LV G5LU 0016 0149 A	2, 6, 8
146E-3626-2000	24 VAC	K t/c	60 to 300°F	Low Limit	Manual Reset	8A Relay	Integral	DIN Rail	LV G6KY 0060 0300 A	6, 8
146E-3626-2000	24 VAC	K t/c	16 to 149°C	Low Limit	Manual Reset	8A Relay	Integral	DIN Rail	LV G6LY 0016 0149 A	6, 8
146E-3626-2N00	24 VAC	K t/c	60 to 300°F	Low Limit	Manual Reset	8A Relay	Remote	DIN Rail	LV G5KY 0060 0300 A	2, 6, 8
146E-3626-2N00	24 VAC	K t/c	16 to 149°C	Low Limit	Manual Reset	8A Relay	Remote	DIN Rail	LV G5LY 0016 0149 A	2, 6, 8
146E-3626-2P00	24 VAC	K t/c	60 to 300°F	Low Limit	Manual Reset	8A Relay	Remote	DIN Rail	LV G5KY 0060 0300 A	2, 6, 8
146E-3626-2P00	24 VAC	K t/c	16 to 149°C	Low Limit	Manual Reset	8A Relay	Remote	DIN Rail	LV G5LY 0016 0149 A	2, 6, 8
146E-3626-2S00	24 VAC	K t/c	60 to 300°F	Low Limit	Manual Reset	8A Relay	Remote	DIN Rail	LV G5KY 0060 0300 A	2, 6, 8
146E-3626-2S00	24 VAC	K t/c	16 to 149°C	Low Limit	Manual Reset	8A Relay	Remote	DIN Rail	LV G5LY 0016 0149 A	2, 6, 8
146E-3626-3000	24 VAC	K t/c	60 to 300°F	High Limit	Auto Reset	8A Relay	Integral	DIN Rail	LV G6KW 0060 0300 A	6, 8
146E-3626-3000	24 VAC	K t/c	16 to 149°C	High Limit	Auto Reset	8A Relay	Integral	DIN Rail	LV G6LW 0016 0149 A	6, 8
146E-3626-3N00	24 VAC	K t/c	60 to 300°F	High Limit	Auto Reset	8A Relay	Remote	DIN Rail	LV G5KW 0060 0300 A	2, 6, 8
146E-3626-3N00	24 VAC	K t/c	16 to 149°C	High Limit	Auto Reset	8A Relay	Remote	DIN Rail	LV G5LW 0016 0149 A	2, 6, 8
146E-3626-3P00	24 VAC	K t/c	60 to 300°F	High Limit	Auto Reset	8A Relay	Remote	DIN Rail	LV G5KW 0060 0300 A	2, 6, 8
146E-3626-3P00	24 VAC	K t/c	16 to 149°C	High Limit	Auto Reset	8A Relay	Remote	DIN Rail	LV G5LW 0016 0149 A	2, 6, 8
146E-3626-3S00	24 VAC	K t/c	60 to 300°F	High Limit	Auto Reset	8A Relay	Remote	DIN Rail	LV G5KW 0060 0300 A	2, 6, 8
146E-3626-3S00	24 VAC	K t/c	16 to 149°C	High Limit	Auto Reset	8A Relay	Remote	DIN Rail	LV G5LW 0016 0149 A	2, 6, 8
146E-3626-4000	24 VAC	K t/c	60 to 300°F	Low Limit	Auto Reset	8A Relay	Integral	DIN Rail	LV G6KZ 0060 0300 A	6, 8
146E-3626-4000	24 VAC	K t/c	16 to 149°C	Low Limit	Auto Reset	8A Relay	Integral	DIN Rail	LV G6LY 0016 0149 A	6, 8
146E-3626-4N00	24 VAC	K t/c	60 to 300°F	Low Limit	Auto Reset	8A Relay	Remote	DIN Rail	LV G5KZ 0060 0300 A	2, 6, 8
146E-3626-4N00	24 VAC	K t/c	16 to 149°C	Low Limit	Auto Reset	8A Relay	Remote	DIN Rail	LV G5LY 0016 0149 A	2, 6, 8

Series 146

<u>Series 146</u>	Line Voltage	Input	Temp Range	Control Mode	Action	Output	Set Point	Mounting	Retrofit control	See Notes Below
146E-3626-4P00	24 VAC	K t/c	60 to 300°F	Low Limit	Auto Reset	8A Relay	Remote	DIN Rail	LV G5KZ 0060 0300 A	2, 6, 8
146E-3626-4P00	24 VAC	K t/c	16 to 149°C	Low Limit	Auto Reset	8A Relay	Remote	DIN Rail	LV G5LY 0016 0149 A	2, 6, 8
146E-3626-4S00	24 VAC	K t/c	60 to 300°F	Low Limit	Auto Reset	8A Relay	Remote	DIN Rail	LV G5KZ 0060 0300 A	2, 6, 8
146E-3626-4S00	24 VAC	K t/c	16 to 149°C	Low Limit	Auto Reset	8A Relay	Remote	DIN Rail	LV G5LY 0016 0149 A	2, 6, 8
146E-3627-1000	24 VAC	K t/c	32 to 150°F	High Limit	Manual Reset	8A Relay	Integral	DIN Rail	LV G6KU 0032 0150 A	6, 8
146E-3627-1000	24 VAC	K t/c	0 to 66°C	High Limit	Manual Reset	8A Relay	Integral	DIN Rail	LV G6LU 0000 0066 A	6, 8
146E-3627-1N00	24 VAC	K t/c	32 to 150°F	High Limit	Manual Reset	8A Relay	Remote	DIN Rail	LV G5KU 0032 0150 A	2, 6, 8
146E-3627-1N00	24 VAC	K t/c	0 to 66°C	High Limit	Manual Reset	8A Relay	Remote	DIN Rail	LV G5LU 0000 0066 A	2, 6, 8
146E-3627-1P00	24 VAC	K t/c	32 to 150°F	High Limit	Manual Reset	8A Relay	Remote	DIN Rail	LV G5KU 0032 0150 A	2, 6, 8
146E-3627-1P00	24 VAC	K t/c	0 to 66°C	High Limit	Manual Reset	8A Relay	Remote	DIN Rail	LV G5LU 0000 0066 A	2, 6, 8
146E-3627-1S00	24 VAC	K t/c	32 to 150°F	High Limit	Manual Reset	8A Relay	Remote	DIN Rail	LV G5KU 0032 0150 A	2, 6, 8
146E-3627-1S00	24 VAC	K t/c	0 to 66°C	High Limit	Manual Reset	8A Relay	Remote	DIN Rail	LV G5LU 0000 0066 A	2, 6, 8
146E-3627-2000	24 VAC	K t/c	32 to 150°F	Low Limit	Manual Reset	8A Relay	Integral	DIN Rail	LV G6KY 0032 0150 A	6, 8
146E-3627-2000	24 VAC	K t/c	0 to 66°C	Low Limit	Manual Reset	8A Relay	Integral	DIN Rail	LV G6LY 0000 0066 A	6, 8
146E-3627-2N00	24 VAC	K t/c	32 to 150°F	Low Limit	Manual Reset	8A Relay	Remote	DIN Rail	LV G5KY 0032 0150 A	2, 6, 8
146E-3627-2N00	24 VAC	K t/c	0 to 66°C	Low Limit	Manual Reset	8A Relay	Remote	DIN Rail	LV G5LY 0000 0066 A	2, 6, 8
146E-3627-2P00	24 VAC	K t/c	32 to 150°F	Low Limit	Manual Reset	8A Relay	Remote	DIN Rail	LV G5KY 0032 0150 A	2, 6, 8
146E-3627-2P00	24 VAC	K t/c	0 to 66°C	Low Limit	Manual Reset	8A Relay	Remote	DIN Rail	LV G5LY 0000 0066 A	2, 6, 8
146E-3627-2S00	24 VAC	K t/c	32 to 150°F	Low Limit	Manual Reset	8A Relay	Remote	DIN Rail	LV G5KY 0032 0150 A	2, 6, 8
146E-3627-2S00	24 VAC	K t/c	0 to 66°C	Low Limit	Manual Reset	8A Relay	Remote	DIN Rail	LV G5LY 0000 0066 A	2, 6, 8
146E-3627-3000	24 VAC	K t/c	32 to 150°F	High Limit	Auto Reset	8A Relay	Integral	DIN Rail	LV G6KW 0032 0150 A	6, 8
146E-3627-3000	24 VAC	K t/c	0 to 66°C	High Limit	Auto Reset	8A Relay	Integral	DIN Rail	LV G6LW 0000 0066 A	6, 8
146E-3627-3N00	24 VAC	K t/c	32 to 150°F	High Limit	Auto Reset	8A Relay	Remote	DIN Rail	LV G5KW 0032 0150 A	2, 6, 8
146E-3627-3N00	24 VAC	K t/c	0 to 66°C	High Limit	Auto Reset	8A Relay	Remote	DIN Rail	LV G5LW 0000 0066 A	2, 6, 8
146E-3627-3P00	24 VAC	K t/c	32 to 150°F	High Limit	Auto Reset	8A Relay	Remote	DIN Rail	LV G5KW 0032 0150 A	2, 6, 8
146E-3627-3P00	24 VAC	K t/c	0 to 66°C	High Limit	Auto Reset	8A Relay	Remote	DIN Rail	LV G5LW 0000 0066 A	2, 6, 8
146E-3627-3S00	24 VAC	K t/c	32 to 150°F	High Limit	Auto Reset	8A Relay	Remote	DIN Rail	LV G5KW 0032 0150 A	2, 6, 8
146E-3627-3S00	24 VAC	K t/c	0 to 66°C	High Limit	Auto Reset	8A Relay	Remote	DIN Rail	LV G5LW 0000 0066 A	2, 6, 8
146E-3627-4000	24 VAC	K t/c	32 to 150°F	Low Limit	Auto Reset	8A Relay	Integral	DIN Rail	LV G6KZ 0032 0150 A	6, 8
146E-3627-4000	24 VAC	K t/c	0 to 66°C	Low Limit	Auto Reset	8A Relay	Integral	DIN Rail	LV G6LY 0000 0066 A	6, 8
146E-3627-4N00	24 VAC	K t/c	32 to 150°F	Low Limit	Auto Reset	8A Relay	Remote	DIN Rail	LV G5KZ 0032 0150 A	2, 6, 8
146E-3627-4N00	24 VAC	K t/c	0 to 66°C	Low Limit	Auto Reset	8A Relay	Remote	DIN Rail	LV G5LY 0000 0066 A	2, 6, 8
146E-3627-4P00	24 VAC	K t/c	32 to 150°F	Low Limit	Auto Reset	8A Relay	Remote	DIN Rail	LV G5KZ 0032 0150 A	2, 6, 8
146E-3627-4P00	24 VAC	K t/c	0 to 66°C	Low Limit	Auto Reset	8A Relay	Remote	DIN Rail	LV G5LY 0000 0066 A	2, 6, 8
146E-3627-4S00	24 VAC	K t/c	32 to 150°F	Low Limit	Auto Reset	8A Relay	Remote	DIN Rail	LV G5KZ 0032 0150 A	2, 6, 8
146E-3627-4S00	24 VAC	K t/c	0 to 66°C	Low Limit	Auto Reset	8A Relay	Remote	DIN Rail	LV G5LY 0000 0066 A	2, 6, 8
146E-3628-1000	24 VAC	K t/c	0 to 600°F	High Limit	Manual Reset	8A Relay	Integral	DIN Rail	LV G6KU 0000 0600 A	6, 8
146E-3628-1000	24 VAC	K t/c	-17 to 315°C	High Limit	Manual Reset	8A Relay	Integral	DIN Rail	LV G6LU -017 0315 A	6, 8
146E-3628-1N00	24 VAC	K t/c	0 to 600°F	High Limit	Manual Reset	8A Relay	Remote	DIN Rail	LV G5KU 0000 0600 A	2, 6, 8
146E-3628-1N00	24 VAC	K t/c	-17 to 315°C	High Limit	Manual Reset	8A Relay	Remote	DIN Rail	LV G5LU -017 0315 A	2, 6, 8
146E-3628-1P00	24 VAC	K t/c	0 to 600°F	High Limit	Manual Reset	8A Relay	Remote	DIN Rail	LV G5KU 0000 0600 A	2, 6, 8

Series 146

Series 146	Line Voltage	Input	Temp Range	Control Mode	Action	Output	Set Point	Mounting	Retrofit control	See Notes Below
146E-3628-1P00	24 VAC	K t/c	-17 to 315°C	High Limit	Manual Reset	8A Relay	Remote	DIN Rail	LV G5LU -017 0315 A	2, 6, 8
146E-3628-1S00	24 VAC	K t/c	0 to 600°F	High Limit	Manual Reset	8A Relay	Remote	DIN Rail	LV G5KU 0000 0600 A	2, 6, 8
146E-3628-1S00	24 VAC	K t/c	-17 to 315°C	High Limit	Manual Reset	8A Relay	Remote	DIN Rail	LV G5LU -017 0315 A	2, 6, 8
146E-3628-2000	24 VAC	K t/c	0 to 600°F	Low Limit	Manual Reset	8A Relay	Integral	DIN Rail	LV G6KY 0000 0600 A	6, 8
146E-3628-2000	24 VAC	K t/c	-17 to 315°C	Low Limit	Manual Reset	8A Relay	Integral	DIN Rail	LV G6LY -017 0315 A	6, 8
146E-3628-2N00	24 VAC	K t/c	0 to 600°F	Low Limit	Manual Reset	8A Relay	Remote	DIN Rail	LV G5KY 0000 0600 A	2, 6, 8
146E-3628-2N00	24 VAC	K t/c	-17 to 315°C	Low Limit	Manual Reset	8A Relay	Remote	DIN Rail	LV G5LY -017 0315 A	2, 6, 8
146E-3628-2P00	24 VAC	K t/c	0 to 600°F	Low Limit	Manual Reset	8A Relay	Remote	DIN Rail	LV G5KY 0000 0600 A	2, 6, 8
146E-3628-2P00	24 VAC	K t/c	-17 to 315°C	Low Limit	Manual Reset	8A Relay	Remote	DIN Rail	LV G5LY -017 0315 A	2, 6, 8
146E-3628-2S00	24 VAC	K t/c	0 to 600°F	Low Limit	Manual Reset	8A Relay	Remote	DIN Rail	LV G5KY 0000 0600 A	2, 6, 8
146E-3628-2S00	24 VAC	K t/c	-17 to 315°C	Low Limit	Manual Reset	8A Relay	Remote	DIN Rail	LV G5LY -017 0315 A	2, 6, 8
146E-3628-3000	24 VAC	K t/c	0 to 600°F	High Limit	Auto Reset	8A Relay	Integral	DIN Rail	LV G6KW 0000 0600 A	6, 8
146E-3628-3000	24 VAC	K t/c	-17 to 315°C	High Limit	Auto Reset	8A Relay	Integral	DIN Rail	LV G6LW -017 0315 A	6, 8
146E-3628-3N00	24 VAC	K t/c	0 to 600°F	High Limit	Auto Reset	8A Relay	Remote	DIN Rail	LV G5KW 0000 0600 A	2, 6, 8
146E-3628-3N00	24 VAC	K t/c	-17 to 315°C	High Limit	Auto Reset	8A Relay	Remote	DIN Rail	LV G5LW -017 0315 A	2, 6, 8
146E-3628-3P00	24 VAC	K t/c	0 to 600°F	High Limit	Auto Reset	8A Relay	Remote	DIN Rail	LV G5KW 0000 0600 A	2, 6, 8
146E-3628-3P00	24 VAC	K t/c	-17 to 315°C	High Limit	Auto Reset	8A Relay	Remote	DIN Rail	LV G5LW -017 0315 A	2, 6, 8
146E-3628-3S00	24 VAC	K t/c	0 to 600°F	High Limit	Auto Reset	8A Relay	Remote	DIN Rail	LV G5KW 0000 0600 A	2, 6, 8
146E-3628-3S00	24 VAC	K t/c	-17 to 315°C	High Limit	Auto Reset	8A Relay	Remote	DIN Rail	LV G5LW -017 0315 A	2, 6, 8
146E-3628-4000	24 VAC	K t/c	0 to 600°F	Low Limit	Auto Reset	8A Relay	Integral	DIN Rail	LV G6KZ 0000 0600 A	6, 8
146E-3628-4000	24 VAC	K t/c	-17 to 315°C	Low Limit	Auto Reset	8A Relay	Integral	DIN Rail	LV G6LY -017 0315 A	6, 8
146E-3628-4N00	24 VAC	K t/c	0 to 600°F	Low Limit	Auto Reset	8A Relay	Remote	DIN Rail	LV G5KZ 0000 0600 A	2, 6, 8
146E-3628-4N00	24 VAC	K t/c	-17 to 315°C	Low Limit	Auto Reset	8A Relay	Remote	DIN Rail	LV G5LY -017 0315 A	2, 6, 8
146E-3628-4P00	24 VAC	K t/c	0 to 600°F	Low Limit	Auto Reset	8A Relay	Remote	DIN Rail	LV G5KZ 0000 0600 A	2, 6, 8
146E-3628-4P00	24 VAC	K t/c	-17 to 315°C	Low Limit	Auto Reset	8A Relay	Remote	DIN Rail	LV G5LY -017 0315 A	2, 6, 8
146E-3628-4S00	24 VAC	K t/c	0 to 600°F	Low Limit	Auto Reset	8A Relay	Remote	DIN Rail	LV G5KZ 0000 0600 A	2, 6, 8
146E-3628-4S00	24 VAC	K t/c	-17 to 315°C	Low Limit	Auto Reset	8A Relay	Remote	DIN Rail	LV G5LY -017 0315 A	2, 6, 8
146E-3629-1000	24 VAC	T t/c	-328 to 662°F	High Limit	Manual Reset	8A Relay	Integral	DIN Rail	LV G6MU -328 0622 A	6, 8
146E-3629-1000	24 VAC	T t/c	-200 to 350°C	High Limit	Manual Reset	8A Relay	Integral	DIN Rail	LV G6NU -200 0350 A	6, 8
146E-3629-1N00	24 VAC	T t/c	-328 to 662°F	High Limit	Manual Reset	8A Relay	Remote	DIN Rail	LV G5MU -328 0622 A	2, 6, 8
146E-3629-1N00	24 VAC	T t/c	-200 to 350°C	High Limit	Manual Reset	8A Relay	Remote	DIN Rail	LV G5NU -200 0350 A	2, 6, 8
146E-3629-1P00	24 VAC	T t/c	-328 to 662°F	High Limit	Manual Reset	8A Relay	Remote	DIN Rail	LV G5MU -328 0622 A	2, 6, 8
146E-3629-1P00	24 VAC	T t/c	-200 to 350°C	High Limit	Manual Reset	8A Relay	Remote	DIN Rail	LV G5NU -200 0350 A	2, 6, 8
146E-3629-1S00	24 VAC	T t/c	-328 to 662°F	High Limit	Manual Reset	8A Relay	Remote	DIN Rail	LV G5MU -328 0622 A	2, 6, 8
146E-3629-1S00	24 VAC	T t/c	-200 to 350°C	High Limit	Manual Reset	8A Relay	Remote	DIN Rail	LV G5NU -200 0350 A	2, 6, 8
146E-3629-2000	24 VAC	T t/c	-328 to 662°F	Low Limit	Manual Reset	8A Relay	Integral	DIN Rail	LV G6MY -328 0622 A	6, 8
146E-3629-2000	24 VAC	T t/c	-200 to 350°C	Low Limit	Manual Reset	8A Relay	Integral	DIN Rail	LV G6NY -200 0350 A	6, 8
146E-3629-2N00	24 VAC	T t/c	-328 to 662°F	Low Limit	Manual Reset	8A Relay	Remote	DIN Rail	LV G5MY -328 0622 A	2, 6, 8
146E-3629-2N00	24 VAC	T t/c	-200 to 350°C	Low Limit	Manual Reset	8A Relay	Remote	DIN Rail	LV G5NY -200 0350 A	2, 6, 8
146E-3629-2P00	24 VAC	T t/c	-328 to 662°F	Low Limit	Manual Reset	8A Relay	Remote	DIN Rail	LV G5MY -328 0622 A	2, 6, 8
146E-3629-2P00	24 VAC	T t/c	-200 to 350°C	Low Limit	Manual Reset	8A Relay	Remote	DIN Rail	LV G5NY -200 0350 A	2, 6, 8

Series 146

Series 146	Line Voltage	Input	Temp Range	Control Mode	Action	Output	Set Point	Mounting	Retrofit control	See Notes Below
146E-3629-2S00	24 VAC	T t/c	-328 to 662°F	Low Limit	Manual Reset	8A Relay	Remote	DIN Rail	LV G5MY -328 0622 A	2, 6, 8
146E-3629-2S00	24 VAC	T t/c	-200 to 350°C	Low Limit	Manual Reset	8A Relay	Remote	DIN Rail	LV G5NY -200 0350 A	2, 6, 8
146E-3629-3000	24 VAC	T t/c	-328 to 662°F	High Limit	Auto Reset	8A Relay	Integral	DIN Rail	LV G6MU -328 0622 A	6, 8
146E-3629-3000	24 VAC	T t/c	-200 to 350°C	High Limit	Auto Reset	8A Relay	Integral	DIN Rail	LV G6NW -200 0350 A	6, 8
146E-3629-3N00	24 VAC	T t/c	-328 to 662°F	High Limit	Auto Reset	8A Relay	Remote	DIN Rail	LV G5MU -328 0622 A	2, 6, 8
146E-3629-3N00	24 VAC	T t/c	-200 to 350°C	High Limit	Auto Reset	8A Relay	Remote	DIN Rail	LV G5NW -200 0350 A	2, 6, 8
146E-3629-3P00	24 VAC	T t/c	-328 to 662°F	High Limit	Auto Reset	8A Relay	Remote	DIN Rail	LV G5MU -328 0622 A	2, 6, 8
146E-3629-3P00	24 VAC	T t/c	-200 to 350°C	High Limit	Auto Reset	8A Relay	Remote	DIN Rail	LV G5NW -200 0350 A	2, 6, 8
146E-3629-3S00	24 VAC	T t/c	-328 to 662°F	High Limit	Auto Reset	8A Relay	Remote	DIN Rail	LV G5MU -328 0622 A	2, 6, 8
146E-3629-3S00	24 VAC	T t/c	-200 to 350°C	High Limit	Auto Reset	8A Relay	Remote	DIN Rail	LV G5NW -200 0350 A	2, 6, 8
146E-3629-4000	24 VAC	T t/c	-328 to 662°F	Low Limit	Auto Reset	8A Relay	Integral	DIN Rail	LV G6MZ -328 0622 A	6, 8
146E-3629-4000	24 VAC	T t/c	-200 to 350°C	Low Limit	Auto Reset	8A Relay	Integral	DIN Rail	LV G6NY -200 0350 A	6, 8
146E-3629-4N00	24 VAC	T t/c	-328 to 662°F	Low Limit	Auto Reset	8A Relay	Remote	DIN Rail	LV G5MZ -328 0622 A	2, 6, 8
146E-3629-4N00	24 VAC	T t/c	-200 to 350°C	Low Limit	Auto Reset	8A Relay	Remote	DIN Rail	LV G5NY -200 0350 A	2, 6, 8
146E-3629-4P00	24 VAC	T t/c	-328 to 662°F	Low Limit	Auto Reset	8A Relay	Remote	DIN Rail	LV G5MZ -328 0622 A	2, 6, 8
146E-3629-4P00	24 VAC	T t/c	-200 to 350°C	Low Limit	Auto Reset	8A Relay	Remote	DIN Rail	LV G5NY -200 0350 A	2, 6, 8
146E-3629-4S00	24 VAC	T t/c	-328 to 662°F	Low Limit	Auto Reset	8A Relay	Remote	DIN Rail	LV G5MZ -328 0622 A	2, 6, 8
146E-3629-4S00	24 VAC	T t/c	-200 to 350°C	Low Limit	Auto Reset	8A Relay	Remote	DIN Rail	LV G5NY -200 0350 A	2, 6, 8
146E-3632-1000	25 VAC	T t/c	-103°F	High Limit	Manual Reset	8A Relay	Fixed	DIN Rail	LF G6MU -103 AAAA A	6, 8
146E-3632-1000	26 VAC	T t/c	-75°C	High Limit	Manual Reset	8A Relay	Fixed	DIN Rail	LF G6NU -075 AAAA A	6, 8
146E-3632-2000	27 VAC	T t/c	-103°F	Low Limit	Manual Reset	8A Relay	Fixed	DIN Rail	LF G6MY -103 AAAA A	6, 8
146E-3632-2000	28 VAC	T t/c	-75°C	Low Limit	Manual Reset	8A Relay	Fixed	DIN Rail	LF G6NY -075 AAAA A	6, 8
146E-3632-3000	29 VAC	T t/c	-103°F	High Limit	Auto Reset	8A Relay	Fixed	DIN Rail	LF G6MW -103 AAAA A	6, 8
146E-3632-3000	30 VAC	T t/c	-75°C	High Limit	Auto Reset	8A Relay	Fixed	DIN Rail	LF G6NW -075 AAAA A	6, 8
146E-3632-4000	31 VAC	T t/c	-103°F	Low Limit	Auto Reset	8A Relay	Fixed	DIN Rail	LF G6MZ -103 AAAA A	6, 8
146E-3632-4000	32 VAC	T t/c	-75°C	Low Limit	Auto Reset	8A Relay	Fixed	DIN Rail	LF G6NZ -075 AAAA A	6, 8
146E-3633-1000	33 VAC	J t/c	650°F	High Limit	Manual Reset	8A Relay	Fixed	DIN Rail	LF G6HU 0650 AAAA A	6, 8
146E-3633-1000	34 VAC	J t/c	343°C	High Limit	Manual Reset	8A Relay	Fixed	DIN Rail	LF G6JU 0343 AAAA A	6, 8
146E-3633-2000	35 VAC	J t/c	650°F	Low Limit	Manual Reset	8A Relay	Fixed	DIN Rail	LF G6HY 0650 AAAA A	6, 8
146E-3633-2000	36 VAC	J t/c	343°C	Low Limit	Manual Reset	8A Relay	Fixed	DIN Rail	LF G6JY 0343 AAAA A	6, 8
146E-3633-3000	37 VAC	J t/c	650°F	High Limit	Auto Reset	8A Relay	Fixed	DIN Rail	LF G6HW 0650 AAAA A	6, 8
146E-3633-3000	38 VAC	J t/c	343°C	High Limit	Auto Reset	8A Relay	Fixed	DIN Rail	LF G6JW 0343 AAAA A	6, 8
146E-3633-4000	39 VAC	J t/c	650°F	Low Limit	Auto Reset	8A Relay	Fixed	DIN Rail	LF G6HZ 0650 AAAA A	6, 8
146E-3633-4000	40 VAC	J t/c	343°C	Low Limit	Auto Reset	8A Relay	Fixed	DIN Rail	LF G6JZ 0343 AAAA A	6, 8
146E-3634-1000	41 VAC	K t/c	280°F	High Limit	Manual Reset	8A Relay	Fixed	DIN Rail	LF G6KU 0280 AAAA A	6, 8
146E-3634-1000	42 VAC	K t/c	138°C	High Limit	Manual Reset	8A Relay	Fixed	DIN Rail	LF G6LU 0138 AAAA A	6, 8
146E-3634-2000	43 VAC	K t/c	280°F	Low Limit	Manual Reset	8A Relay	Fixed	DIN Rail	LF G6KY 0280 AAAA A	6, 8
146E-3634-2000	44 VAC	K t/c	138°C	Low Limit	Manual Reset	8A Relay	Fixed	DIN Rail	LF G6LY 0138 AAAA A	6, 8
146E-3634-3000	45 VAC	K t/c	280°F	High Limit	Auto Reset	8A Relay	Fixed	DIN Rail	LF G6KW 0280 AAAA A	6, 8
146E-3634-3000	46 VAC	K t/c	138°C	High Limit	Auto Reset	8A Relay	Fixed	DIN Rail	LF G6LW 0138 AAAA A	6, 8
146E-3634-4000	47 VAC	K t/c	280°F	Low Limit	Auto Reset	8A Relay	Fixed	DIN Rail	LF G6KZ 0280 AAAA A	6, 8

Series 146

Series 146	Line Voltage	Input	Temp Range	Control Mode	Action	Output	Set Point	Mounting	Retrofit control	See Notes Below
146E-3634-4000	48 VAC	K t/c	138°C	Low Limit	Auto Reset	8A Relay	Fixed	DIN Rail	LF G6LZ 0138 AAAA A	6, 8
146E-3637-1000	49 VAC	K t/c	450°F	High Limit	Manual Reset	8A Relay	Fixed	DIN Rail	LF G6KU 0450 AAAA A	6, 8
146E-3637-1000	50 VAC	K t/c	232°C	High Limit	Manual Reset	8A Relay	Fixed	DIN Rail	LF G6LU 0232 AAAA A	6, 8
146E-3637-2000	51 VAC	K t/c	450°F	Low Limit	Manual Reset	8A Relay	Fixed	DIN Rail	LF G6KY 0450 AAAA A	6, 8
146E-3637-2000	52 VAC	K t/c	232°C	Low Limit	Manual Reset	8A Relay	Fixed	DIN Rail	LF G6LY 0232 AAAA A	6, 8
146E-3637-3000	53 VAC	K t/c	450°F	High Limit	Auto Reset	8A Relay	Fixed	DIN Rail	LF G6KW 0450 AAAA A	6, 8
146E-3637-3000	54 VAC	K t/c	232°C	High Limit	Auto Reset	8A Relay	Fixed	DIN Rail	LF G6LW 0232 AAAA A	6, 8
146E-3637-4000	55 VAC	K t/c	450°F	Low Limit	Auto Reset	8A Relay	Fixed	DIN Rail	LF G6KZ 0450 AAAA A	6, 8
146E-3637-4000	56 VAC	K t/c	232°C	Low Limit	Auto Reset	8A Relay	Fixed	DIN Rail	LF G6LZ 0232 AAAA A	6, 8
146E-3E1C-1100	24 VAC	E t/c	0 to 799°C	High Limit	Manual Reset	10A Relay	Integral	DIN Rail	LV G6TU 0000 0799 A	3, 6
146E-3E1C-1200	24 VAC	E t/c	0 to 799°C	High Limit	Manual Reset	10A Relay	Remote	DIN Rail	LV G5TU 0000 0799 A	2, 3, 6
146E-3E1C-2100	24 VAC	E t/c	0 to 799°C	Low Limit	Manual Reset	10A Relay	Integral	DIN Rail	LV G6TY 0000 0799 A	3, 6
146E-3E1C-2200	24 VAC	E t/c	0 to 799°C	Low Limit	Manual Reset	10A Relay	Remote	DIN Rail	LV G5TY 0000 0799 A	2, 3, 6
146E-3E1C-3100	24 VAC	E t/c	0 to 799°C	High Limit	Auto Reset	10A Relay	Integral	DIN Rail	LV G6TW 0000 0799 A	3, 6
146E-3E1C-3200	24 VAC	E t/c	0 to 799°C	High Limit	Auto Reset	10A Relay	Remote	DIN Rail	LV G5TW 0000 0799 A	2, 3, 6
146E-3E1C-4100	24 VAC	E t/c	0 to 799°C	Low Limit	Auto Reset	10A Relay	Integral	DIN Rail	LV G6TZ 0000 0799 A	3, 6
146E-3E1C-4200	24 VAC	E t/c	0 to 799°C	Low Limit	Auto Reset	10A Relay	Remote	DIN Rail	LV G5TZ 0000 0799 A	2, 3, 6
146E-3E1D-1100	24 VAC	E t/c	32 to 1470°F	High Limit	Manual Reset	10A Relay	Integral	DIN Rail	LV G6SU 0032 1470 A	3, 6, 8
146E-3E1D-1100	24 VAC	E t/c	0 to 799°C	High Limit	Manual Reset	10A Relay	Integral	DIN Rail	LV G6TU 0000 0799 A	3, 6, 8
146E-3E1D-1200	24 VAC	E t/c	32 to 1470°F	High Limit	Manual Reset	10A Relay	Remote	DIN Rail	LV G5SU 0032 1470 A	2, 3, 6, 8
146E-3E1D-1200	24 VAC	E t/c	0 to 799°C	High Limit	Manual Reset	10A Relay	Remote	DIN Rail	LV G5TU 0000 0799 A	2, 3, 6, 8
146E-3E1D-2100	24 VAC	E t/c	32 to 1470°F	Low Limit	Manual Reset	10A Relay	Integral	DIN Rail	LV G6SY 0032 1470 A	3, 6, 8
146E-3E1D-2100	24 VAC	E t/c	0 to 799°C	Low Limit	Manual Reset	10A Relay	Integral	DIN Rail	LV G6TY 0000 0799 A	3, 6, 8
146E-3E1D-2200	24 VAC	E t/c	32 to 1470°F	Low Limit	Manual Reset	10A Relay	Remote	DIN Rail	LV G5SY 0032 1470 A	2, 3, 6, 8
146E-3E1D-2200	24 VAC	E t/c	0 to 799°C	Low Limit	Manual Reset	10A Relay	Remote	DIN Rail	LV G5TY 0000 0799 A	2, 3, 6, 8
146E-3E1D-3100	24 VAC	E t/c	32 to 1470°F	High Limit	Auto Reset	10A Relay	Integral	DIN Rail	LV G6SW 0032 1470 A	3, 6, 8
146E-3E1D-3100	24 VAC	E t/c	0 to 799°C	High Limit	Auto Reset	10A Relay	Integral	DIN Rail	LV G6TW 0000 0799 A	3, 6, 8
146E-3E1D-3200	24 VAC	E t/c	32 to 1470°F	High Limit	Auto Reset	10A Relay	Remote	DIN Rail	LV G5SW 0032 1470 A	2, 3, 6, 8
146E-3E1D-3200	24 VAC	E t/c	0 to 799°C	High Limit	Auto Reset	10A Relay	Remote	DIN Rail	LV G5TW 0000 0799 A	2, 3, 6, 8
146E-3E1D-4100	24 VAC	E t/c	32 to 1470°F	Low Limit	Auto Reset	10A Relay	Integral	DIN Rail	LV G6SZ 0032 1470 A	3, 6, 8
146E-3E1D-4100	24 VAC	E t/c	0 to 799°C	Low Limit	Auto Reset	10A Relay	Integral	DIN Rail	LV G6TZ 0000 0799 A	3, 6, 8
146E-3E1D-4200	24 VAC	E t/c	32 to 1470°F	Low Limit	Auto Reset	10A Relay	Remote	DIN Rail	LV G5SZ 0032 1470 A	2, 3, 6, 8
146E-3E1D-4200	24 VAC	E t/c	0 to 799°C	Low Limit	Auto Reset	10A Relay	Remote	DIN Rail	LV G5TZ 0000 0799 A	2, 3, 6, 8
146E-3E1F-1100	24 VAC	E t/c	32 to 1470°F	High Limit	Manual Reset	10A Relay	Integral	DIN Rail	LV G6SU 0032 1470 A	3, 6
146E-3E1F-1200	24 VAC	E t/c	32 to 1470°F	High Limit	Manual Reset	10A Relay	Remote	DIN Rail	LV G5SU 0032 1470 A	2, 3, 6
146E-3E1F-2100	24 VAC	E t/c	32 to 1470°F	Low Limit	Manual Reset	10A Relay	Integral	DIN Rail	LV G6SY 0032 1470 A	3, 6
146E-3E1F-2200	24 VAC	E t/c	32 to 1470°F	Low Limit	Manual Reset	10A Relay	Remote	DIN Rail	LV G5SY 0032 1470 A	2, 3, 6
146E-3E1F-3100	24 VAC	E t/c	32 to 1470°F	High Limit	Auto Reset	10A Relay	Integral	DIN Rail	LV G6SW 0032 1470 A	3, 6
146E-3E1F-3200	24 VAC	E t/c	32 to 1470°F	High Limit	Auto Reset	10A Relay	Remote	DIN Rail	LV G5SW 0032 1470 A	2, 3, 6
146E-3E1F-4100	24 VAC	E t/c	32 to 1470°F	Low Limit	Auto Reset	10A Relay	Integral	DIN Rail	LV G6SZ 0032 1470 A	3, 6
146E-3E1F-4200	24 VAC	E t/c	32 to 1470°F	Low Limit	Auto Reset	10A Relay	Remote	DIN Rail	LV G5SZ 0032 1470 A	2, 3, 6

Series 146

Series 146	Line Voltage	Input	Temp Range	Control Mode	Action	Output	Set Point	Mounting	Retrofit control	See Notes Below
146E-3J1C-1100	24 VAC	J t/c	0 to 315°C	High Limit	Manual Reset	10A Relay	Integral	DIN Rail	LV G6JU 0000 0315 A	3, 6
146E-3J1C-1200	24 VAC	J t/c	0 to 315°C	High Limit	Manual Reset	10A Relay	Remote	DIN Rail	LV G5JU 0000 0315 A	2, 3, 6
146E-3J1C-2100	24 VAC	J t/c	0 to 315°C	Low Limit	Manual Reset	10A Relay	Integral	DIN Rail	LV G6JY 0000 0315 A	3, 6
146E-3J1C-2200	24 VAC	J t/c	0 to 315°C	Low Limit	Manual Reset	10A Relay	Remote	DIN Rail	LV G5JY 0000 0315 A	2, 3, 6
146E-3J1C-3100	24 VAC	J t/c	0 to 315°C	High Limit	Auto Reset	10A Relay	Integral	DIN Rail	LV G6JW 0000 0315 A	3, 6
146E-3J1C-3200	24 VAC	J t/c	0 to 315°C	High Limit	Auto Reset	10A Relay	Remote	DIN Rail	LV G5JW 0000 0315 A	2, 3, 6
146E-3J1C-4100	24 VAC	J t/c	0 to 315°C	Low Limit	Auto Reset	10A Relay	Integral	DIN Rail	LV G6JZ 0000 0315 A	3, 6
146E-3J1C-4200	24 VAC	J t/c	0 to 315°C	Low Limit	Auto Reset	10A Relay	Remote	DIN Rail	LV G5JZ 0000 0315 A	2, 3, 6
146E-3J1D-1100	24 VAC	J t/c	32 to 600°F	High Limit	Manual Reset	10A Relay	Integral	DIN Rail	LV G6HU 0032 0600 A	3, 6, 8
146E-3J1D-1100	24 VAC	J t/c	0 to 315°C	High Limit	Manual Reset	10A Relay	Integral	DIN Rail	LV G6JU 0000 0315 A	3, 6, 8
146E-3J1D-1200	24 VAC	J t/c	32 to 600°F	High Limit	Manual Reset	10A Relay	Remote	DIN Rail	LV G5HU 0032 0600 A	2, 3, 6, 8
146E-3J1D-1200	24 VAC	J t/c	0 to 315°C	High Limit	Manual Reset	10A Relay	Remote	DIN Rail	LV G5JU 0000 0315 A	2, 3, 6, 8
146E-3J1D-2100	24 VAC	J t/c	32 to 600°F	Low Limit	Manual Reset	10A Relay	Integral	DIN Rail	LV G6HY 0032 0600 A	3, 6, 8
146E-3J1D-2100	24 VAC	J t/c	0 to 315°C	Low Limit	Manual Reset	10A Relay	Integral	DIN Rail	LV G6JY 0000 0315 A	3, 6, 8
146E-3J1D-2200	24 VAC	J t/c	32 to 600°F	Low Limit	Manual Reset	10A Relay	Remote	DIN Rail	LV G5HY 0032 0600 A	2, 3, 6, 8
146E-3J1D-2200	24 VAC	J t/c	0 to 315°C	Low Limit	Manual Reset	10A Relay	Remote	DIN Rail	LV G5JY 0000 0315 A	2, 3, 6, 8
146E-3J1D-3100	24 VAC	J t/c	32 to 600°F	High Limit	Auto Reset	10A Relay	Integral	DIN Rail	LV G6HW 0032 0600 A	3, 6, 8
146E-3J1D-3100	24 VAC	J t/c	0 to 315°C	High Limit	Auto Reset	10A Relay	Integral	DIN Rail	LV G6JW 0000 0315 A	3, 6, 8
146E-3J1D-3200	24 VAC	J t/c	32 to 600°F	High Limit	Auto Reset	10A Relay	Remote	DIN Rail	LV G5HW 0032 0600 A	2, 3, 6, 8
146E-3J1D-3200	24 VAC	J t/c	0 to 315°C	High Limit	Auto Reset	10A Relay	Remote	DIN Rail	LV G5JW 0000 0315 A	2, 3, 6, 8
146E-3J1D-4100	24 VAC	J t/c	32 to 600°F	Low Limit	Auto Reset	10A Relay	Integral	DIN Rail	LV G6HZ 0032 0600 A	3, 6, 8
146E-3J1D-4100	24 VAC	J t/c	0 to 315°C	Low Limit	Auto Reset	10A Relay	Integral	DIN Rail	LV G6JZ 0000 0315 A	3, 6, 8
146E-3J1D-4200	24 VAC	J t/c	32 to 600°F	Low Limit	Auto Reset	10A Relay	Remote	DIN Rail	LV G5HZ 0032 0600 A	2, 3, 6, 8
146E-3J1D-4200	24 VAC	J t/c	0 to 315°C	Low Limit	Auto Reset	10A Relay	Remote	DIN Rail	LV G5JZ 0000 0315 A	2, 3, 6, 8
146E-3J1F-1100	24 VAC	J t/c	32 to 600°F	High Limit	Manual Reset	10A Relay	Integral	DIN Rail	LV G6HU 0032 0600 A	3, 6
146E-3J1F-1200	24 VAC	J t/c	32 to 600°F	High Limit	Manual Reset	10A Relay	Remote	DIN Rail	LV G5HU 0032 0600 A	2, 3, 6
146E-3J1F-2100	24 VAC	J t/c	32 to 600°F	Low Limit	Manual Reset	10A Relay	Integral	DIN Rail	LV G6HY 0032 0600 A	3, 6
146E-3J1F-2200	24 VAC	J t/c	32 to 600°F	Low Limit	Manual Reset	10A Relay	Remote	DIN Rail	LV G5HY 0032 0600 A	2, 3, 6
146E-3J1F-3100	24 VAC	J t/c	32 to 600°F	High Limit	Auto Reset	10A Relay	Integral	DIN Rail	LV G6HW 0032 0600 A	3, 6
146E-3J1F-3200	24 VAC	J t/c	32 to 600°F	High Limit	Auto Reset	10A Relay	Remote	DIN Rail	LV G5HW 0032 0600 A	2, 3, 6
146E-3J1F-4100	24 VAC	J t/c	32 to 600°F	Low Limit	Auto Reset	10A Relay	Integral	DIN Rail	LV G6HZ 0032 0600 A	3, 6
146E-3J1F-4200	24 VAC	J t/c	32 to 600°F	Low Limit	Auto Reset	10A Relay	Remote	DIN Rail	LV G5HZ 0032 0600 A	2, 3, 6
146E-3J2C-1100	24 VAC	J t/c	0 to 750°C	High Limit	Manual Reset	10A Relay	Integral	DIN Rail	LV G6JU 0000 0750 A	3, 6
146E-3J2C-1200	24 VAC	J t/c	0 to 750°C	High Limit	Manual Reset	10A Relay	Remote	DIN Rail	LV G5JU 0000 0750 A	2, 3, 6
146E-3J2C-2100	24 VAC	J t/c	0 to 750°C	Low Limit	Manual Reset	10A Relay	Integral	DIN Rail	LV G6JY 0000 0750 A	3, 6
146E-3J2C-2200	24 VAC	J t/c	0 to 750°C	Low Limit	Manual Reset	10A Relay	Remote	DIN Rail	LV G5JY 0000 0750 A	2, 3, 6
146E-3J2C-3100	24 VAC	J t/c	0 to 750°C	High Limit	Auto Reset	10A Relay	Integral	DIN Rail	LV G6JW 0000 0750 A	3, 6
146E-3J2C-3200	24 VAC	J t/c	0 to 750°C	High Limit	Auto Reset	10A Relay	Remote	DIN Rail	LV G5JW 0000 0750 A	2, 3, 6
146E-3J2C-4100	24 VAC	J t/c	0 to 750°C	Low Limit	Auto Reset	10A Relay	Integral	DIN Rail	LV G6JZ 0000 0750 A	3, 6
146E-3J2C-4200	24 VAC	J t/c	0 to 750°C	Low Limit	Auto Reset	10A Relay	Remote	DIN Rail	LV G5JZ 0000 0750 A	2, 3, 6
146E-3J2D-1100	24 VAC	J t/c	32 to 1382°F	High Limit	Manual Reset	10A Relay	Integral	DIN Rail	LV G6HU 0032 1382 A	3, 6, 8

Series 146

Series 146	Line Voltage	Input	Temp Range	Control Mode	Action	Output	Set Point	Mounting	Retrofit control	See Notes Below
146E-3J2D-1100	24 VAC	J t/c	0 to 750°C	High Limit	Manual Reset	10A Relay	Integral	DIN Rail	LV G6JU 0000 0750 A	3, 6, 8
146E-3J2D-1200	24 VAC	J t/c	32 to 1382°F	High Limit	Manual Reset	10A Relay	Remote	DIN Rail	LV G5HU 0032 1382 A	2, 3, 6, 8
146E-3J2D-1200	24 VAC	J t/c	0 to 750°C	High Limit	Manual Reset	10A Relay	Remote	DIN Rail	LV G5JU 0000 0750 A	2, 3, 6, 8
146E-3J2D-2100	24 VAC	J t/c	32 to 1382°F	Low Limit	Manual Reset	10A Relay	Integral	DIN Rail	LV G6HY 0032 1382 A	3, 6, 8
146E-3J2D-2100	24 VAC	J t/c	0 to 750°C	Low Limit	Manual Reset	10A Relay	Integral	DIN Rail	LV G6JY 0000 0750 A	3, 6, 8
146E-3J2D-2200	24 VAC	J t/c	32 to 1382°F	Low Limit	Manual Reset	10A Relay	Remote	DIN Rail	LV G5HY 0032 1382 A	2, 3, 6, 8
146E-3J2D-2200	24 VAC	J t/c	0 to 750°C	Low Limit	Manual Reset	10A Relay	Remote	DIN Rail	LV G5JY 0000 0750 A	2, 3, 6, 8
146E-3J2D-3100	24 VAC	J t/c	32 to 1382°F	High Limit	Auto Reset	10A Relay	Integral	DIN Rail	LV G6HW 0032 1382 A	3, 6, 8
146E-3J2D-3100	24 VAC	J t/c	0 to 750°C	High Limit	Auto Reset	10A Relay	Integral	DIN Rail	LV G6JW 0000 0750 A	3, 6, 8
146E-3J2D-3200	24 VAC	J t/c	32 to 1382°F	High Limit	Auto Reset	10A Relay	Remote	DIN Rail	LV G5HW 0032 1382 A	2, 3, 6, 8
146E-3J2D-3200	24 VAC	J t/c	0 to 750°C	High Limit	Auto Reset	10A Relay	Remote	DIN Rail	LV G5JW 0000 0750 A	2, 3, 6, 8
146E-3J2D-4100	24 VAC	J t/c	32 to 1382°F	Low Limit	Auto Reset	10A Relay	Integral	DIN Rail	LV G6HZ 0032 1382 A	3, 6, 8
146E-3J2D-4100	24 VAC	J t/c	0 to 750°C	Low Limit	Auto Reset	10A Relay	Integral	DIN Rail	LV G6JZ 0000 0750 A	3, 6, 8
146E-3J2D-4200	24 VAC	J t/c	32 to 1382°F	Low Limit	Auto Reset	10A Relay	Remote	DIN Rail	LV G5HZ 0032 1382 A	2, 3, 6, 8
146E-3J2D-4200	24 VAC	J t/c	0 to 750°C	Low Limit	Auto Reset	10A Relay	Remote	DIN Rail	LV G5JZ 0000 0750 A	2, 3, 6, 8
146E-3J2F-1100	24 VAC	J t/c	32 to 1382°F	High Limit	Manual Reset	10A Relay	Integral	DIN Rail	LV G6HU 0032 1382 A	3, 6
146E-3J2F-1200	24 VAC	J t/c	32 to 1382°F	High Limit	Manual Reset	10A Relay	Remote	DIN Rail	LV G5HU 0032 1382 A	2, 3, 6
146E-3J2F-2100	24 VAC	J t/c	32 to 1382°F	Low Limit	Manual Reset	10A Relay	Integral	DIN Rail	LV G6HY 0032 1382 A	3, 6
146E-3J2F-2200	24 VAC	J t/c	32 to 1382°F	Low Limit	Manual Reset	10A Relay	Remote	DIN Rail	LV G5HY 0032 1382 A	2, 3, 6
146E-3J2F-3100	24 VAC	J t/c	32 to 1382°F	High Limit	Auto Reset	10A Relay	Integral	DIN Rail	LV G6HW 0032 1382 A	3, 6
146E-3J2F-3200	24 VAC	J t/c	32 to 1382°F	High Limit	Auto Reset	10A Relay	Remote	DIN Rail	LV G5HW 0032 1382 A	2, 3, 6
146E-3J2F-4100	24 VAC	J t/c	32 to 1382°F	Low Limit	Auto Reset	10A Relay	Integral	DIN Rail	LV G6HZ 0032 1382 A	3, 6
146E-3J2F-4200	24 VAC	J t/c	32 to 1382°F	Low Limit	Auto Reset	10A Relay	Remote	DIN Rail	LV G5HZ 0032 1382 A	2, 3, 6
146E-3J3C-1100	24 VAC	J t/c	149 to 427°C	High Limit	Manual Reset	10A Relay	Integral	DIN Rail	LV G6JU 0149 0427 A	3, 6
146E-3J3C-1200	24 VAC	J t/c	149 to 427°C	High Limit	Manual Reset	10A Relay	Remote	DIN Rail	LV G5JU 0149 0427 A	2, 3, 6
146E-3J3C-2100	24 VAC	J t/c	149 to 427°C	Low Limit	Manual Reset	10A Relay	Integral	DIN Rail	LV G6JY 0149 0427 A	3, 6
146E-3J3C-2200	24 VAC	J t/c	149 to 427°C	Low Limit	Manual Reset	10A Relay	Remote	DIN Rail	LV G5JY 0149 0427 A	2, 3, 6
146E-3J3C-3100	24 VAC	J t/c	149 to 427°C	High Limit	Auto Reset	10A Relay	Integral	DIN Rail	LV G6JW 0149 0427 A	3, 6
146E-3J3C-3200	24 VAC	J t/c	149 to 427°C	High Limit	Auto Reset	10A Relay	Remote	DIN Rail	LV G5JW 0149 0427 A	2, 3, 6
146E-3J3C-4100	24 VAC	J t/c	149 to 427°C	Low Limit	Auto Reset	10A Relay	Integral	DIN Rail	LV G6JZ 0149 0427 A	3, 6
146E-3J3C-4200	24 VAC	J t/c	149 to 427°C	Low Limit	Auto Reset	10A Relay	Remote	DIN Rail	LV G5JZ 0149 0427 A	2, 3, 6
146E-3J3D-1100	24 VAC	J t/c	300 to 800°F	High Limit	Manual Reset	10A Relay	Integral	DIN Rail	LV G6HU 0300 0800 A	3, 6, 8
146E-3J3D-1100	24 VAC	J t/c	149 to 427°C	High Limit	Manual Reset	10A Relay	Integral	DIN Rail	LV G6JU 0149 0427 A	3, 6, 8
146E-3J3D-1200	24 VAC	J t/c	300 to 800°F	High Limit	Manual Reset	10A Relay	Remote	DIN Rail	LV G5HU 0300 0800 A	2, 3, 6, 8
146E-3J3D-1200	24 VAC	J t/c	149 to 427°C	High Limit	Manual Reset	10A Relay	Remote	DIN Rail	LV G5JU 0149 0427 A	2, 3, 6, 8
146E-3J3D-2100	24 VAC	J t/c	300 to 800°F	Low Limit	Manual Reset	10A Relay	Integral	DIN Rail	LV G6HY 0300 0800 A	3, 6, 8
146E-3J3D-2100	24 VAC	J t/c	149 to 427°C	Low Limit	Manual Reset	10A Relay	Integral	DIN Rail	LV G6JY 0149 0427 A	3, 6, 8
146E-3J3D-2200	24 VAC	J t/c	300 to 800°F	Low Limit	Manual Reset	10A Relay	Remote	DIN Rail	LV G5HY 0300 0800 A	2, 3, 6, 8
146E-3J3D-2200	24 VAC	J t/c	149 to 427°C	Low Limit	Manual Reset	10A Relay	Remote	DIN Rail	LV G5JY 0149 0427 A	2, 3, 6, 8
146E-3J3D-3100	24 VAC	J t/c	300 to 800°F	High Limit	Auto Reset	10A Relay	Integral	DIN Rail	LV G6HW 0300 0800 A	3, 6, 8
146E-3J3D-3100	24 VAC	J t/c	149 to 427°C	High Limit	Auto Reset	10A Relay	Integral	DIN Rail	LV G6JW 0149 0427 A	3, 6, 8

Series 146

Series 146	Line Voltage	Input	Temp Range	Control Mode	Action	Output	Set Point	Mounting	Retrofit control	See Notes Below
146E-3J3D-3200	24 VAC	J t/c	300 to 800°F	High Limit	Auto Reset	10A Relay	Remote	DIN Rail	LV G5HW 0300 0800 A	2, 3, 6, 8
146E-3J3D-3200	24 VAC	J t/c	149 to 427°C	High Limit	Auto Reset	10A Relay	Remote	DIN Rail	LV G5JW 0149 0427 A	2, 3, 6, 8
146E-3J3D-4100	24 VAC	J t/c	300 to 800°F	Low Limit	Auto Reset	10A Relay	Integral	DIN Rail	LV G6HZ 0300 0800 A	3, 6, 8
146E-3J3D-4100	24 VAC	J t/c	149 to 427°C	Low Limit	Auto Reset	10A Relay	Integral	DIN Rail	LV G6JZ 0149 0427 A	3, 6, 8
146E-3J3D-4200	24 VAC	J t/c	300 to 800°F	Low Limit	Auto Reset	10A Relay	Remote	DIN Rail	LV G5HZ 0300 0800 A	2, 3, 6, 8
146E-3J3D-4200	24 VAC	J t/c	149 to 427°C	Low Limit	Auto Reset	10A Relay	Remote	DIN Rail	LV G5JZ 0149 0427 A	2, 3, 6, 8
146E-3J3F-1100	24 VAC	J t/c	300 to 800°F	High Limit	Manual Reset	10A Relay	Integral	DIN Rail	LV G6HU 0300 0800 A	3, 6
146E-3J3F-1200	24 VAC	J t/c	300 to 800°F	High Limit	Manual Reset	10A Relay	Remote	DIN Rail	LV G5HU 0300 0800 A	2, 3, 6
146E-3J3F-2100	24 VAC	J t/c	300 to 800°F	Low Limit	Manual Reset	10A Relay	Integral	DIN Rail	LV G6HY 0300 0800 A	3, 6
146E-3J3F-2200	24 VAC	J t/c	300 to 800°F	Low Limit	Manual Reset	10A Relay	Remote	DIN Rail	LV G5HY 0300 0800 A	2, 3, 6
146E-3J3F-3100	24 VAC	J t/c	300 to 800°F	High Limit	Auto Reset	10A Relay	Integral	DIN Rail	LV G6HW 0300 0800 A	3, 6
146E-3J3F-3200	24 VAC	J t/c	300 to 800°F	High Limit	Auto Reset	10A Relay	Remote	DIN Rail	LV G5HW 0300 0800 A	2, 3, 6
146E-3J3F-4100	24 VAC	J t/c	300 to 800°F	Low Limit	Auto Reset	10A Relay	Integral	DIN Rail	LV G6HZ 0300 0800 A	3, 6
146E-3J3F-4200	24 VAC	J t/c	300 to 800°F	Low Limit	Auto Reset	10A Relay	Remote	DIN Rail	LV G5HZ 0300 0800 A	2, 3, 6
146E-3J4C-1100	24 VAC	J t/c	-18 to 93°C	High Limit	Manual Reset	10A Relay	Integral	DIN Rail	LV G6JU -018 0093 A	3, 6
146E-3J4C-1200	24 VAC	J t/c	-18 to 93°C	High Limit	Manual Reset	10A Relay	Remote	DIN Rail	LV G5JU -018 0093 A	2, 3, 6
146E-3J4C-2100	24 VAC	J t/c	-18 to 93°C	Low Limit	Manual Reset	10A Relay	Integral	DIN Rail	LV G6JY -018 0093 A	3, 6
146E-3J4C-2200	24 VAC	J t/c	-18 to 93°C	Low Limit	Manual Reset	10A Relay	Remote	DIN Rail	LV G5JY -018 0093 A	2, 3, 6
146E-3J4C-3100	24 VAC	J t/c	-18 to 93°C	High Limit	Auto Reset	10A Relay	Integral	DIN Rail	LV G6JW -018 0093 A	3, 6
146E-3J4C-3200	24 VAC	J t/c	-18 to 93°C	High Limit	Auto Reset	10A Relay	Remote	DIN Rail	LV G5JW -018 0093 A	2, 3, 6
146E-3J4C-4100	24 VAC	J t/c	-18 to 93°C	Low Limit	Auto Reset	10A Relay	Integral	DIN Rail	LV G6JZ -018 0093 A	3, 6
146E-3J4C-4200	24 VAC	J t/c	-18 to 93°C	Low Limit	Auto Reset	10A Relay	Remote	DIN Rail	LV G5JZ -018 0093 A	2, 3, 6
146E-3J4D-1100	24 VAC	J t/c	0 to 200°F	High Limit	Manual Reset	10A Relay	Integral	DIN Rail	LV G6HU 0000 0200 A	3, 6, 8
146E-3J4D-1100	24 VAC	J t/c	-18 to 93°C	High Limit	Manual Reset	10A Relay	Integral	DIN Rail	LV G6JU -018 0093 A	3, 6, 8
146E-3J4D-1200	24 VAC	J t/c	0 to 200°F	High Limit	Manual Reset	10A Relay	Remote	DIN Rail	LV G5HU 0000 0200 A	2, 3, 6, 8
146E-3J4D-1200	24 VAC	J t/c	-18 to 93°C	High Limit	Manual Reset	10A Relay	Remote	DIN Rail	LV G5JU -018 0093 A	2, 3, 6, 8
146E-3J4D-2100	24 VAC	J t/c	0 to 200°F	Low Limit	Manual Reset	10A Relay	Integral	DIN Rail	LV G6HY 0000 0200 A	3, 6, 8
146E-3J4D-2100	24 VAC	J t/c	-18 to 93°C	Low Limit	Manual Reset	10A Relay	Integral	DIN Rail	LV G6JY -018 0093 A	3, 6, 8
146E-3J4D-2200	24 VAC	J t/c	0 to 200°F	Low Limit	Manual Reset	10A Relay	Remote	DIN Rail	LV G5HY 0000 0200 A	2, 3, 6, 8
146E-3J4D-2200	24 VAC	J t/c	-18 to 93°C	Low Limit	Manual Reset	10A Relay	Remote	DIN Rail	LV G5JY -018 0093 A	2, 3, 6, 8
146E-3J4D-3100	24 VAC	J t/c	0 to 200°F	High Limit	Auto Reset	10A Relay	Integral	DIN Rail	LV G6HW 0000 0200 A	3, 6, 8
146E-3J4D-3100	24 VAC	J t/c	-18 to 93°C	High Limit	Auto Reset	10A Relay	Integral	DIN Rail	LV G6JW -018 0093 A	3, 6, 8
146E-3J4D-3200	24 VAC	J t/c	0 to 200°F	High Limit	Auto Reset	10A Relay	Remote	DIN Rail	LV G5HW 0000 0200 A	2, 3, 6, 8
146E-3J4D-3200	24 VAC	J t/c	-18 to 93°C	High Limit	Auto Reset	10A Relay	Remote	DIN Rail	LV G5JW -018 0093 A	2, 3, 6, 8
146E-3J4D-4100	24 VAC	J t/c	0 to 200°F	Low Limit	Auto Reset	10A Relay	Integral	DIN Rail	LV G6HZ 0000 0200 A	3, 6, 8
146E-3J4D-4100	24 VAC	J t/c	-18 to 93°C	Low Limit	Auto Reset	10A Relay	Integral	DIN Rail	LV G6JZ -018 0093 A	3, 6, 8
146E-3J4D-4200	24 VAC	J t/c	0 to 200°F	Low Limit	Auto Reset	10A Relay	Remote	DIN Rail	LV G5HZ 0000 0200 A	2, 3, 6, 8
146E-3J4D-4200	24 VAC	J t/c	-18 to 93°C	Low Limit	Auto Reset	10A Relay	Remote	DIN Rail	LV G5JZ -018 0093 A	2, 3, 6, 8
146E-3J4F-1100	24 VAC	J t/c	0 to 200°F	High Limit	Manual Reset	10A Relay	Integral	DIN Rail	LV G6HU 0000 0200 A	3, 6
146E-3J4F-1200	24 VAC	J t/c	0 to 200°F	High Limit	Manual Reset	10A Relay	Remote	DIN Rail	LV G5HU 0000 0200 A	2, 3, 6
146E-3J4F-2100	24 VAC	J t/c	0 to 200°F	Low Limit	Manual Reset	10A Relay	Integral	DIN Rail	LV G6HY 0000 0200 A	3, 6

Series 146

Series 146	Line Voltage	Input	Temp Range	Control Mode	Action	Output	Set Point	Mounting	Retrofit control	See Notes Below
146E-3J4F-2200	24 VAC	J t/c	0 to 200°F	Low Limit	Manual Reset	10A Relay	Remote	DIN Rail	LV G5HY 0000 0200 A	2, 3, 6
146E-3J4F-3100	24 VAC	J t/c	0 to 200°F	High Limit	Auto Reset	10A Relay	Integral	DIN Rail	LV G6HW 0000 0200 A	3, 6
146E-3J4F-3200	24 VAC	J t/c	0 to 200°F	High Limit	Auto Reset	10A Relay	Remote	DIN Rail	LV G5HW 0000 0200 A	2, 3, 6
146E-3J4F-4100	24 VAC	J t/c	0 to 200°F	Low Limit	Auto Reset	10A Relay	Integral	DIN Rail	LV G6HZ 0000 0200 A	3, 6
146E-3J4F-4200	24 VAC	J t/c	0 to 200°F	Low Limit	Auto Reset	10A Relay	Remote	DIN Rail	LV G5HZ 0000 0200 A	2, 3, 6
146E-3J5C-1100	24 VAC	J t/c	43 to 54°C	High Limit	Manual Reset	10A Relay	Integral	DIN Rail	LV G6JU 0043 0054 A	3, 6
146E-3J5C-1200	24 VAC	J t/c	43 to 54°C	High Limit	Manual Reset	10A Relay	Remote	DIN Rail	LV G5JU 0043 0054 A	2, 3, 6
146E-3J5C-2100	24 VAC	J t/c	43 to 54°C	Low Limit	Manual Reset	10A Relay	Integral	DIN Rail	LV G6JY 0043 0054 A	3, 6
146E-3J5C-2200	24 VAC	J t/c	43 to 54°C	Low Limit	Manual Reset	10A Relay	Remote	DIN Rail	LV G5JY 0043 0054 A	2, 3, 6
146E-3J5C-3100	24 VAC	J t/c	43 to 54°C	High Limit	Auto Reset	10A Relay	Integral	DIN Rail	LV G6JW 0043 0054 A	3, 6
146E-3J5C-3200	24 VAC	J t/c	43 to 54°C	High Limit	Auto Reset	10A Relay	Remote	DIN Rail	LV G5JW 0043 0054 A	2, 3, 6
146E-3J5C-4100	24 VAC	J t/c	43 to 54°C	Low Limit	Auto Reset	10A Relay	Integral	DIN Rail	LV G6JZ 0043 0054 A	3, 6
146E-3J5C-4200	24 VAC	J t/c	43 to 54°C	Low Limit	Auto Reset	10A Relay	Remote	DIN Rail	LV G5JZ 0043 0054 A	2, 3, 6
146E-3J5D-1100	24 VAC	J t/c	110 to 130°F	High Limit	Manual Reset	10A Relay	Integral	DIN Rail	LV G6HU 0110 0130 A	3, 6, 8
146E-3J5D-1100	24 VAC	J t/c	43 to 54°C	High Limit	Manual Reset	10A Relay	Integral	DIN Rail	LV G6JU 0043 0054 A	3, 6, 8
146E-3J5D-1200	24 VAC	J t/c	110 to 130°F	High Limit	Manual Reset	10A Relay	Remote	DIN Rail	LV G5HU 0110 0130 A	2, 3, 6, 8
146E-3J5D-1200	24 VAC	J t/c	43 to 54°C	High Limit	Manual Reset	10A Relay	Remote	DIN Rail	LV G5JU 0043 0054 A	2, 3, 6, 8
146E-3J5D-2100	24 VAC	J t/c	110 to 130°F	Low Limit	Manual Reset	10A Relay	Integral	DIN Rail	LV G6HY 0110 0130 A	3, 6, 8
146E-3J5D-2100	24 VAC	J t/c	43 to 54°C	Low Limit	Manual Reset	10A Relay	Integral	DIN Rail	LV G6JY 0043 0054 A	3, 6, 8
146E-3J5D-2200	24 VAC	J t/c	110 to 130°F	Low Limit	Manual Reset	10A Relay	Remote	DIN Rail	LV G5HY 0110 0130 A	2, 3, 6, 8
146E-3J5D-2200	24 VAC	J t/c	43 to 54°C	Low Limit	Manual Reset	10A Relay	Remote	DIN Rail	LV G5JY 0043 0054 A	2, 3, 6, 8
146E-3J5D-3100	24 VAC	J t/c	110 to 130°F	High Limit	Auto Reset	10A Relay	Integral	DIN Rail	LV G6HW 0110 0130 A	3, 6, 8
146E-3J5D-3100	24 VAC	J t/c	43 to 54°C	High Limit	Auto Reset	10A Relay	Integral	DIN Rail	LV G6JW 0043 0054 A	3, 6, 8
146E-3J5D-3200	24 VAC	J t/c	110 to 130°F	High Limit	Auto Reset	10A Relay	Remote	DIN Rail	LV G5HW 0110 0130 A	2, 3, 6, 8
146E-3J5D-3200	24 VAC	J t/c	43 to 54°C	High Limit	Auto Reset	10A Relay	Remote	DIN Rail	LV G5JW 0043 0054 A	2, 3, 6, 8
146E-3J5D-4100	24 VAC	J t/c	110 to 130°F	Low Limit	Auto Reset	10A Relay	Integral	DIN Rail	LV G6HZ 0110 0130 A	3, 6, 8
146E-3J5D-4100	24 VAC	J t/c	43 to 54°C	Low Limit	Auto Reset	10A Relay	Integral	DIN Rail	LV G6JZ 0043 0054 A	3, 6, 8
146E-3J5D-4200	24 VAC	J t/c	110 to 130°F	Low Limit	Auto Reset	10A Relay	Remote	DIN Rail	LV G5HZ 0110 0130 A	2, 3, 6, 8
146E-3J5D-4200	24 VAC	J t/c	43 to 54°C	Low Limit	Auto Reset	10A Relay	Remote	DIN Rail	LV G5JZ 0043 0054 A	2, 3, 6, 8
146E-3J5F-1100	24 VAC	J t/c	110 to 130°F	High Limit	Manual Reset	10A Relay	Integral	DIN Rail	LV G6HU 0110 0130 A	3, 6
146E-3J5F-1200	24 VAC	J t/c	110 to 130°F	High Limit	Manual Reset	10A Relay	Remote	DIN Rail	LV G5HU 0110 0130 A	2, 3, 6
146E-3J5F-2100	24 VAC	J t/c	110 to 130°F	Low Limit	Manual Reset	10A Relay	Integral	DIN Rail	LV G6HY 0110 0130 A	3, 6
146E-3J5F-2200	24 VAC	J t/c	110 to 130°F	Low Limit	Manual Reset	10A Relay	Remote	DIN Rail	LV G5HY 0110 0130 A	2, 3, 6
146E-3J5F-3100	24 VAC	J t/c	110 to 130°F	High Limit	Auto Reset	10A Relay	Integral	DIN Rail	LV G6HW 0110 0130 A	3, 6
146E-3J5F-3200	24 VAC	J t/c	110 to 130°F	High Limit	Auto Reset	10A Relay	Remote	DIN Rail	LV G5HW 0110 0130 A	2, 3, 6
146E-3J5F-4100	24 VAC	J t/c	110 to 130°F	Low Limit	Auto Reset	10A Relay	Integral	DIN Rail	LV G6HZ 0110 0130 A	3, 6
146E-3J5F-4200	24 VAC	J t/c	110 to 130°F	Low Limit	Auto Reset	10A Relay	Remote	DIN Rail	LV G5HZ 0110 0130 A	2, 3, 6
146E-3K1C-1100	24 VAC	K t/c	0 to 1250°C	High Limit	Manual Reset	10A Relay	Integral	DIN Rail	LV G6LU 0000 1250 A	3, 6
146E-3K1C-1200	24 VAC	K t/c	0 to 1250°C	High Limit	Manual Reset	10A Relay	Remote	DIN Rail	LV G5LU 0000 1250 A	2, 3, 6
146E-3K1C-2100	24 VAC	K t/c	0 to 1250°C	Low Limit	Manual Reset	10A Relay	Integral	DIN Rail	LV G6LY 0000 1250 A	3, 6
146E-3K1C-2200	24 VAC	K t/c	0 to 1250°C	Low Limit	Manual Reset	10A Relay	Remote	DIN Rail	LV G5LY 0000 1250 A	2, 3, 6

Series 146

Series 146	Line Voltage	Input	Temp Range	Control Mode	Action	Output	Set Point	Mounting	Retrofit control	See Notes Below
146E-3K1C-3100	24 VAC	K t/c	0 to 1250°C	High Limit	Auto Reset	10A Relay	Integral	DIN Rail	LV G6LW 0000 1250 A	3, 6
146E-3K1C-3200	24 VAC	K t/c	0 to 1250°C	High Limit	Auto Reset	10A Relay	Remote	DIN Rail	LV G5LW 0000 1250 A	2, 3, 6
146E-3K1C-4100	24 VAC	K t/c	0 to 1250°C	Low Limit	Auto Reset	10A Relay	Integral	DIN Rail	LV G6LZ 0000 1250 A	3, 6
146E-3K1C-4200	24 VAC	K t/c	0 to 1250°C	Low Limit	Auto Reset	10A Relay	Remote	DIN Rail	LV G5LZ 0000 1250 A	2, 3, 6
146E-3K1D-1100	24 VAC	K t/c	32 to 2282°F	High Limit	Manual Reset	10A Relay	Integral	DIN Rail	LV G6KU 0032 2282 A	3, 6, 8
146E-3K1D-1100	24 VAC	K t/c	0 to 1250°C	High Limit	Manual Reset	10A Relay	Integral	DIN Rail	LV G6LU 0000 1250 A	3, 6, 8
146E-3K1D-1200	24 VAC	K t/c	32 to 2282°F	High Limit	Manual Reset	10A Relay	Remote	DIN Rail	LV G5KU 0032 2282 A	2, 3, 6, 8
146E-3K1D-1200	24 VAC	K t/c	0 to 1250°C	High Limit	Manual Reset	10A Relay	Remote	DIN Rail	LV G5LU 0000 1250 A	2, 3, 6, 8
146E-3K1D-2100	24 VAC	K t/c	32 to 2282°F	Low Limit	Manual Reset	10A Relay	Integral	DIN Rail	LV G6KY 0032 2282 A	3, 6, 8
146E-3K1D-2100	24 VAC	K t/c	0 to 1250°C	Low Limit	Manual Reset	10A Relay	Integral	DIN Rail	LV G6LY 0000 1250 A	3, 6, 8
146E-3K1D-2200	24 VAC	K t/c	32 to 2282°F	Low Limit	Manual Reset	10A Relay	Remote	DIN Rail	LV G5KY 0032 2282 A	2, 3, 6, 8
146E-3K1D-2200	24 VAC	K t/c	0 to 1250°C	Low Limit	Manual Reset	10A Relay	Remote	DIN Rail	LV G5LY 0000 1250 A	2, 3, 6, 8
146E-3K1D-3100	24 VAC	K t/c	32 to 2282°F	High Limit	Auto Reset	10A Relay	Integral	DIN Rail	LV G6KW 0032 2282 A	3, 6, 8
146E-3K1D-3100	24 VAC	K t/c	0 to 1250°C	High Limit	Auto Reset	10A Relay	Integral	DIN Rail	LV G6LW 0000 1250 A	3, 6, 8
146E-3K1D-3200	24 VAC	K t/c	32 to 2282°F	High Limit	Auto Reset	10A Relay	Remote	DIN Rail	LV G5KW 0032 2282 A	2, 3, 6, 8
146E-3K1D-3200	24 VAC	K t/c	0 to 1250°C	High Limit	Auto Reset	10A Relay	Remote	DIN Rail	LV G5LW 0000 1250 A	2, 3, 6, 8
146E-3K1D-4100	24 VAC	K t/c	32 to 2282°F	Low Limit	Auto Reset	10A Relay	Integral	DIN Rail	LV G6KZ 0032 2282 A	3, 6, 8
146E-3K1D-4100	24 VAC	K t/c	0 to 1250°C	Low Limit	Auto Reset	10A Relay	Integral	DIN Rail	LV G6LZ 0000 1250 A	3, 6, 8
146E-3K1D-4200	24 VAC	K t/c	32 to 2282°F	Low Limit	Auto Reset	10A Relay	Remote	DIN Rail	LV G5KZ 0032 2282 A	2, 3, 6, 8
146E-3K1D-4200	24 VAC	K t/c	0 to 1250°C	Low Limit	Auto Reset	10A Relay	Remote	DIN Rail	LV G5LZ 0000 1250 A	2, 3, 6, 8
146E-3K1F-1100	24 VAC	K t/c	32 to 2282°F	High Limit	Manual Reset	10A Relay	Integral	DIN Rail	LV G6KU 0032 2282 A	3, 6
146E-3K1F-1200	24 VAC	K t/c	32 to 2282°F	High Limit	Manual Reset	10A Relay	Remote	DIN Rail	LV G5KU 0032 2282 A	2, 3, 6
146E-3K1F-2100	24 VAC	K t/c	32 to 2282°F	Low Limit	Manual Reset	10A Relay	Integral	DIN Rail	LV G6KY 0032 2282 A	3, 6
146E-3K1F-2200	24 VAC	K t/c	32 to 2282°F	Low Limit	Manual Reset	10A Relay	Remote	DIN Rail	LV G5KY 0032 2282 A	2, 3, 6
146E-3K1F-3100	24 VAC	K t/c	32 to 2282°F	High Limit	Auto Reset	10A Relay	Integral	DIN Rail	LV G6KW 0032 2282 A	3, 6
146E-3K1F-3200	24 VAC	K t/c	32 to 2282°F	High Limit	Auto Reset	10A Relay	Remote	DIN Rail	LV G5KW 0032 2282 A	2, 3, 6
146E-3K1F-4100	24 VAC	K t/c	32 to 2282°F	Low Limit	Auto Reset	10A Relay	Integral	DIN Rail	LV G6KZ 0032 2282 A	3, 6
146E-3K1F-4200	24 VAC	K t/c	32 to 2282°F	Low Limit	Auto Reset	10A Relay	Remote	DIN Rail	LV G5KZ 0032 2282 A	2, 3, 6
146E-3K2C-1100	24 VAC	K t/c	16 to 149°C	High Limit	Manual Reset	10A Relay	Integral	DIN Rail	LV G6LU 0016 0149 A	3, 6
146E-3K2C-1200	24 VAC	K t/c	16 to 149°C	High Limit	Manual Reset	10A Relay	Remote	DIN Rail	LV G5LU 0016 0149 A	2, 3, 6
146E-3K2C-2100	24 VAC	K t/c	16 to 149°C	Low Limit	Manual Reset	10A Relay	Integral	DIN Rail	LV G6LY 0016 0149 A	3, 6
146E-3K2C-2200	24 VAC	K t/c	16 to 149°C	Low Limit	Manual Reset	10A Relay	Remote	DIN Rail	LV G5LY 0016 0149 A	2, 3, 6
146E-3K2C-3100	24 VAC	K t/c	16 to 149°C	High Limit	Auto Reset	10A Relay	Integral	DIN Rail	LV G6LW 0016 0149 A	3, 6
146E-3K2C-3200	24 VAC	K t/c	16 to 149°C	High Limit	Auto Reset	10A Relay	Remote	DIN Rail	LV G5LW 0016 0149 A	2, 3, 6
146E-3K2C-4100	24 VAC	K t/c	16 to 149°C	Low Limit	Auto Reset	10A Relay	Integral	DIN Rail	LV G6LZ 0016 0149 A	3, 6
146E-3K2C-4200	24 VAC	K t/c	16 to 149°C	Low Limit	Auto Reset	10A Relay	Remote	DIN Rail	LV G5LZ 0016 0149 A	2, 3, 6
146E-3K2D-1100	24 VAC	K t/c	60 to 300°F	High Limit	Manual Reset	10A Relay	Integral	DIN Rail	LV G6KU 0060 0300 A	3, 6, 8
146E-3K2D-1100	24 VAC	K t/c	16 to 149°C	High Limit	Manual Reset	10A Relay	Integral	DIN Rail	LV G6LU 0016 0149 A	3, 6, 8
146E-3K2D-1200	24 VAC	K t/c	60 to 300°F	High Limit	Manual Reset	10A Relay	Remote	DIN Rail	LV G5KU 0060 0300 A	2, 3, 6, 8
146E-3K2D-1200	24 VAC	K t/c	16 to 149°C	High Limit	Manual Reset	10A Relay	Remote	DIN Rail	LV G5LU 0016 0149 A	2, 3, 6, 8
146E-3K2D-2100	24 VAC	K t/c	60 to 300°F	Low Limit	Manual Reset	10A Relay	Integral	DIN Rail	LV G6KY 0060 0300 A	3, 6, 8

Series 146

Series 146	Line Voltage	Input	Temp Range	Control Mode	Action	Output	Set Point	Mounting	Retrofit control	See Notes Below
146E-3K2D-2100	24 VAC	K t/c	16 to 149°C	Low Limit	Manual Reset	10A Relay	Integral	DIN Rail	LV G6LY 0016 0149 A	3, 6, 8
146E-3K2D-2200	24 VAC	K t/c	60 to 300°F	Low Limit	Manual Reset	10A Relay	Remote	DIN Rail	LV G5KY 0060 0300 A	2, 3, 6, 8
146E-3K2D-2200	24 VAC	K t/c	16 to 149°C	Low Limit	Manual Reset	10A Relay	Remote	DIN Rail	LV G5LY 0016 0149 A	2, 3, 6, 8
146E-3K2D-3100	24 VAC	K t/c	60 to 300°F	High Limit	Auto Reset	10A Relay	Integral	DIN Rail	LV G6KW 0060 0300 A	3, 6, 8
146E-3K2D-3100	24 VAC	K t/c	16 to 149°C	High Limit	Auto Reset	10A Relay	Integral	DIN Rail	LV G6LW 0016 0149 A	3, 6, 8
146E-3K2D-3200	24 VAC	K t/c	60 to 300°F	High Limit	Auto Reset	10A Relay	Remote	DIN Rail	LV G5KW 0060 0300 A	2, 3, 6, 8
146E-3K2D-3200	24 VAC	K t/c	16 to 149°C	High Limit	Auto Reset	10A Relay	Remote	DIN Rail	LV G5LW 0016 0149 A	2, 3, 6, 8
146E-3K2D-4100	24 VAC	K t/c	60 to 300°F	Low Limit	Auto Reset	10A Relay	Integral	DIN Rail	LV G6KZ 0060 0300 A	3, 6, 8
146E-3K2D-4100	24 VAC	K t/c	16 to 149°C	Low Limit	Auto Reset	10A Relay	Integral	DIN Rail	LV G6LZ 0016 0149 A	3, 6, 8
146E-3K2D-4200	24 VAC	K t/c	60 to 300°F	Low Limit	Auto Reset	10A Relay	Remote	DIN Rail	LV G5KZ 0060 0300 A	2, 3, 6, 8
146E-3K2D-4200	24 VAC	K t/c	16 to 149°C	Low Limit	Auto Reset	10A Relay	Remote	DIN Rail	LV G5LZ 0016 0149 A	2, 3, 6, 8
146E-3K2F-1100	24 VAC	K t/c	60 to 300°F	High Limit	Manual Reset	10A Relay	Integral	DIN Rail	LV G6KU 0060 0300 A	3, 6
146E-3K2F-1200	24 VAC	K t/c	60 to 300°F	High Limit	Manual Reset	10A Relay	Remote	DIN Rail	LV G5KU 0060 0300 A	2, 3, 6
146E-3K2F-2100	24 VAC	K t/c	60 to 300°F	Low Limit	Manual Reset	10A Relay	Integral	DIN Rail	LV G6KY 0060 0300 A	3, 6
146E-3K2F-2200	24 VAC	K t/c	60 to 300°F	Low Limit	Manual Reset	10A Relay	Remote	DIN Rail	LV G5KY 0060 0300 A	2, 3, 6
146E-3K2F-3100	24 VAC	K t/c	60 to 300°F	High Limit	Auto Reset	10A Relay	Integral	DIN Rail	LV G6KW 0060 0300 A	3, 6
146E-3K2F-3200	24 VAC	K t/c	60 to 300°F	High Limit	Auto Reset	10A Relay	Remote	DIN Rail	LV G5KW 0060 0300 A	2, 3, 6
146E-3K2F-4100	24 VAC	K t/c	60 to 300°F	Low Limit	Auto Reset	10A Relay	Integral	DIN Rail	LV G6KZ 0060 0300 A	3, 6
146E-3K2F-4200	24 VAC	K t/c	60 to 300°F	Low Limit	Auto Reset	10A Relay	Remote	DIN Rail	LV G5KZ 0060 0300 A	2, 3, 6
146E-3K3C-1100	24 VAC	K t/c	0 to 600°C	High Limit	Manual Reset	10A Relay	Integral	DIN Rail	LV G6LU 0000 0600 A	3, 6
146E-3K3C-1200	24 VAC	K t/c	0 to 600°C	High Limit	Manual Reset	10A Relay	Remote	DIN Rail	LV G5LU 0000 0600 A	2, 3, 6
146E-3K3C-2100	24 VAC	K t/c	0 to 600°C	Low Limit	Manual Reset	10A Relay	Integral	DIN Rail	LV G6LY 0000 0600 A	3, 6
146E-3K3C-2200	24 VAC	K t/c	0 to 600°C	Low Limit	Manual Reset	10A Relay	Remote	DIN Rail	LV G5LY 0000 0600 A	2, 3, 6
146E-3K3C-3100	24 VAC	K t/c	0 to 600°C	High Limit	Auto Reset	10A Relay	Integral	DIN Rail	LV G6LW 0000 0600 A	3, 6
146E-3K3C-3200	24 VAC	K t/c	0 to 600°C	High Limit	Auto Reset	10A Relay	Remote	DIN Rail	LV G5LW 0000 0600 A	2, 3, 6
146E-3K3C-4100	24 VAC	K t/c	0 to 600°C	Low Limit	Auto Reset	10A Relay	Integral	DIN Rail	LV G6LZ 0000 0600 A	3, 6
146E-3K3C-4200	24 VAC	K t/c	0 to 600°C	Low Limit	Auto Reset	10A Relay	Remote	DIN Rail	LV G5LZ 0000 0600 A	2, 3, 6
146E-3K3D-1100	24 VAC	K t/c	32 to 1112°F	High Limit	Manual Reset	10A Relay	Integral	DIN Rail	LV G6KU 0032 1112 A	3, 6, 8
146E-3K3D-1100	24 VAC	K t/c	0 to 600°C	High Limit	Manual Reset	10A Relay	Integral	DIN Rail	LV G6LU 0000 0600 A	3, 6, 8
146E-3K3D-1200	24 VAC	K t/c	32 to 1112°F	High Limit	Manual Reset	10A Relay	Remote	DIN Rail	LV G5KU 0032 1112 A	2, 3, 6, 8
146E-3K3D-1200	24 VAC	K t/c	0 to 600°C	High Limit	Manual Reset	10A Relay	Remote	DIN Rail	LV G5LU 0000 0600 A	2, 3, 6, 8
146E-3K3D-2100	24 VAC	K t/c	32 to 1112°F	Low Limit	Manual Reset	10A Relay	Integral	DIN Rail	LV G6KY 0032 1112 A	3, 6, 8
146E-3K3D-2100	24 VAC	K t/c	0 to 600°C	Low Limit	Manual Reset	10A Relay	Integral	DIN Rail	LV G6LY 0000 0600 A	3, 6, 8
146E-3K3D-2200	24 VAC	K t/c	32 to 1112°F	Low Limit	Manual Reset	10A Relay	Remote	DIN Rail	LV G5KY 0032 1112 A	2, 3, 6, 8
146E-3K3D-2200	24 VAC	K t/c	0 to 600°C	Low Limit	Manual Reset	10A Relay	Remote	DIN Rail	LV G5LY 0000 0600 A	2, 3, 6, 8
146E-3K3D-3100	24 VAC	K t/c	32 to 1112°F	High Limit	Auto Reset	10A Relay	Integral	DIN Rail	LV G6KW 0032 1112 A	3, 6, 8
146E-3K3D-3100	24 VAC	K t/c	0 to 600°C	High Limit	Auto Reset	10A Relay	Integral	DIN Rail	LV G6LW 0000 0600 A	3, 6, 8
146E-3K3D-3200	24 VAC	K t/c	32 to 1112°F	High Limit	Auto Reset	10A Relay	Remote	DIN Rail	LV G5KW 0032 1112 A	2, 3, 6, 8
146E-3K3D-3200	24 VAC	K t/c	0 to 600°C	High Limit	Auto Reset	10A Relay	Remote	DIN Rail	LV G5LW 0000 0600 A	2, 3, 6, 8
146E-3K3D-4100	24 VAC	K t/c	32 to 1112°F	Low Limit	Auto Reset	10A Relay	Integral	DIN Rail	LV G6KZ 0032 1112 A	3, 6, 8
146E-3K3D-4100	24 VAC	K t/c	0 to 600°C	Low Limit	Auto Reset	10A Relay	Integral	DIN Rail	LV G6LZ 0000 0600 A	3, 6, 8

Series 146

Series 146	Line Voltage	Input	Temp Range	Control Mode	Action	Output	Set Point	Mounting	Retrofit control	See Notes Below
146E-3K3D-4200	24 VAC	K t/c	32 to 1112°F	Low Limit	Auto Reset	10A Relay	Remote	DIN Rail	LV G5KZ 0032 1112 A	2, 3, 6, 8
146E-3K3D-4200	24 VAC	K t/c	0 to 600°C	Low Limit	Auto Reset	10A Relay	Remote	DIN Rail	LV G5LZ 0000 0600 A	2, 3, 6, 8
146E-3K3F-1100	24 VAC	K t/c	32 to 1112°F	High Limit	Manual Reset	10A Relay	Integral	DIN Rail	LV G6KU 0032 1112 A	3, 6
146E-3K3F-1200	24 VAC	K t/c	32 to 1112°F	High Limit	Manual Reset	10A Relay	Remote	DIN Rail	LV G5KU 0032 1112 A	2, 3, 6
146E-3K3F-2100	24 VAC	K t/c	32 to 1112°F	Low Limit	Manual Reset	10A Relay	Integral	DIN Rail	LV G6KY 0032 1112 A	3, 6
146E-3K3F-2200	24 VAC	K t/c	32 to 1112°F	Low Limit	Manual Reset	10A Relay	Remote	DIN Rail	LV G5KY 0032 1112 A	2, 3, 6
146E-3K3F-3100	24 VAC	K t/c	32 to 1112°F	High Limit	Auto Reset	10A Relay	Integral	DIN Rail	LV G6KW 0032 1112 A	3, 6
146E-3K3F-3200	24 VAC	K t/c	32 to 1112°F	High Limit	Auto Reset	10A Relay	Remote	DIN Rail	LV G5KW 0032 1112 A	2, 3, 6
146E-3K3F-4100	24 VAC	K t/c	32 to 1112°F	Low Limit	Auto Reset	10A Relay	Integral	DIN Rail	LV G6KZ 0032 1112 A	3, 6
146E-3K3F-4200	24 VAC	K t/c	32 to 1112°F	Low Limit	Auto Reset	10A Relay	Remote	DIN Rail	LV G5KZ 0032 1112 A	2, 3, 6
146E-3K4C-1100	24 VAC	K t/c	0 to 66°C	High Limit	Manual Reset	10A Relay	Integral	DIN Rail	LV G6LU 0000 0066 A	3, 6
146E-3K4C-1200	24 VAC	K t/c	0 to 66°C	High Limit	Manual Reset	10A Relay	Remote	DIN Rail	LV G5LU 0000 0066 A	2, 3, 6
146E-3K4C-2100	24 VAC	K t/c	0 to 66°C	Low Limit	Manual Reset	10A Relay	Integral	DIN Rail	LV G6LY 0000 0066 A	3, 6
146E-3K4C-2200	24 VAC	K t/c	0 to 66°C	Low Limit	Manual Reset	10A Relay	Remote	DIN Rail	LV G5LY 0000 0066 A	2, 3, 6
146E-3K4C-3100	24 VAC	K t/c	0 to 66°C	High Limit	Auto Reset	10A Relay	Integral	DIN Rail	LV G6LW 0000 0066 A	3, 6
146E-3K4C-3200	24 VAC	K t/c	0 to 66°C	High Limit	Auto Reset	10A Relay	Remote	DIN Rail	LV G5LW 0000 0066 A	2, 3, 6
146E-3K4C-4100	24 VAC	K t/c	0 to 66°C	Low Limit	Auto Reset	10A Relay	Integral	DIN Rail	LV G6LZ 0000 0066 A	3, 6
146E-3K4C-4200	24 VAC	K t/c	0 to 66°C	Low Limit	Auto Reset	10A Relay	Remote	DIN Rail	LV G5LZ 0000 0066 A	2, 3, 6
146E-3K4D-1100	24 VAC	K t/c	32 to 150°F	High Limit	Manual Reset	10A Relay	Integral	DIN Rail	LV G6KU 0032 0150 A	3, 6, 8
146E-3K4D-1100	24 VAC	K t/c	0 to 66°C	High Limit	Manual Reset	10A Relay	Integral	DIN Rail	LV G6LU 0000 0066 A	3, 6, 8
146E-3K4D-1200	24 VAC	K t/c	32 to 150°F	High Limit	Manual Reset	10A Relay	Remote	DIN Rail	LV G5KU 0032 0150 A	2, 3, 6, 8
146E-3K4D-1200	24 VAC	K t/c	0 to 66°C	High Limit	Manual Reset	10A Relay	Remote	DIN Rail	LV G5LU 0000 0066 A	2, 3, 6, 8
146E-3K4D-2100	24 VAC	K t/c	32 to 150°F	Low Limit	Manual Reset	10A Relay	Integral	DIN Rail	LV G6KY 0032 0150 A	3, 6, 8
146E-3K4D-2100	24 VAC	K t/c	0 to 66°C	Low Limit	Manual Reset	10A Relay	Integral	DIN Rail	LV G6LY 0000 0066 A	3, 6, 8
146E-3K4D-2200	24 VAC	K t/c	32 to 150°F	Low Limit	Manual Reset	10A Relay	Remote	DIN Rail	LV G5KY 0032 0150 A	2, 3, 6, 8
146E-3K4D-2200	24 VAC	K t/c	0 to 66°C	Low Limit	Manual Reset	10A Relay	Remote	DIN Rail	LV G5LY 0000 0066 A	2, 3, 6, 8
146E-3K4D-3100	24 VAC	K t/c	32 to 150°F	High Limit	Auto Reset	10A Relay	Integral	DIN Rail	LV G6KW 0032 0150 A	3, 6, 8
146E-3K4D-3100	24 VAC	K t/c	0 to 66°C	High Limit	Auto Reset	10A Relay	Integral	DIN Rail	LV G6LW 0000 0066 A	3, 6, 8
146E-3K4D-3200	24 VAC	K t/c	32 to 150°F	High Limit	Auto Reset	10A Relay	Remote	DIN Rail	LV G5KW 0032 0150 A	2, 3, 6, 8
146E-3K4D-3200	24 VAC	K t/c	0 to 66°C	High Limit	Auto Reset	10A Relay	Remote	DIN Rail	LV G5LW 0000 0066 A	2, 3, 6, 8
146E-3K4D-4100	24 VAC	K t/c	32 to 150°F	Low Limit	Auto Reset	10A Relay	Integral	DIN Rail	LV G6KZ 0032 0150 A	3, 6, 8
146E-3K4D-4100	24 VAC	K t/c	0 to 66°C	Low Limit	Auto Reset	10A Relay	Integral	DIN Rail	LV G6LZ 0000 0066 A	3, 6, 8
146E-3K4D-4200	24 VAC	K t/c	32 to 150°F	Low Limit	Auto Reset	10A Relay	Remote	DIN Rail	LV G5KZ 0032 0150 A	2, 3, 6, 8
146E-3K4D-4200	24 VAC	K t/c	0 to 66°C	Low Limit	Auto Reset	10A Relay	Remote	DIN Rail	LV G5LZ 0000 0066 A	2, 3, 6, 8
146E-3K4F-1100	24 VAC	K t/c	32 to 150°F	High Limit	Manual Reset	10A Relay	Integral	DIN Rail	LV G6KU 0032 0150 A	3, 6
146E-3K4F-1200	24 VAC	K t/c	32 to 150°F	High Limit	Manual Reset	10A Relay	Remote	DIN Rail	LV G5KU 0032 0150 A	2, 3, 6
146E-3K4F-2100	24 VAC	K t/c	32 to 150°F	Low Limit	Manual Reset	10A Relay	Integral	DIN Rail	LV G6KY 0032 0150 A	3, 6
146E-3K4F-2200	24 VAC	K t/c	32 to 150°F	Low Limit	Manual Reset	10A Relay	Remote	DIN Rail	LV G5KY 0032 0150 A	2, 3, 6
146E-3K4F-3100	24 VAC	K t/c	32 to 150°F	High Limit	Auto Reset	10A Relay	Integral	DIN Rail	LV G6KW 0032 0150 A	3, 6
146E-3K4F-3200	24 VAC	K t/c	32 to 150°F	High Limit	Auto Reset	10A Relay	Remote	DIN Rail	LV G5KW 0032 0150 A	2, 3, 6
146E-3K4F-4100	24 VAC	K t/c	32 to 150°F	Low Limit	Auto Reset	10A Relay	Integral	DIN Rail	LV G6KZ 0032 0150 A	3, 6

Series 146

Series 146	Line Voltage	Input	Temp Range	Control Mode	Action	Output	Set Point	Mounting	Retrofit control	See Notes Below
146E-3K4F-4200	24 VAC	K t/c	32 to 150°F	Low Limit	Auto Reset	10A Relay	Remote	DIN Rail	LV G5KZ 0032 0150 A	2, 3, 6
146E-3K5C-1100	24 VAC	K t/c	-17 to 315°C	High Limit	Manual Reset	10A Relay	Integral	DIN Rail	LV G6LU -017 0315 A	3, 6
146E-3K5C-1200	24 VAC	K t/c	-17 to 315°C	High Limit	Manual Reset	10A Relay	Remote	DIN Rail	LV G5LU -017 0315 A	2, 3, 6
146E-3K5C-2100	24 VAC	K t/c	-17 to 315°C	Low Limit	Manual Reset	10A Relay	Integral	DIN Rail	LV G6LY -017 0315 A	3, 6
146E-3K5C-2200	24 VAC	K t/c	-17 to 315°C	Low Limit	Manual Reset	10A Relay	Remote	DIN Rail	LV G5LY -017 0315 A	2, 3, 6
146E-3K5C-3100	24 VAC	K t/c	-17 to 315°C	High Limit	Auto Reset	10A Relay	Integral	DIN Rail	LV G6LW -017 0315 A	3, 6
146E-3K5C-3200	24 VAC	K t/c	-17 to 315°C	High Limit	Auto Reset	10A Relay	Remote	DIN Rail	LV G5LW -017 0315 A	2, 3, 6
146E-3K5C-4100	24 VAC	K t/c	-17 to 315°C	Low Limit	Auto Reset	10A Relay	Integral	DIN Rail	LV G6LZ -017 0315 A	3, 6
146E-3K5C-4200	24 VAC	K t/c	-17 to 315°C	Low Limit	Auto Reset	10A Relay	Remote	DIN Rail	LV G5LZ -017 0315 A	2, 3, 6
146E-3K5D-1100	24 VAC	K t/c	0 to 600°F	High Limit	Manual Reset	10A Relay	Integral	DIN Rail	LV G6KU 0000 0600 A	3, 6, 8
146E-3K5D-1100	24 VAC	K t/c	-17 to 315°C	High Limit	Manual Reset	10A Relay	Integral	DIN Rail	LV G6LU -017 0315 A	3, 6, 8
146E-3K5D-1200	24 VAC	K t/c	0 to 600°F	High Limit	Manual Reset	10A Relay	Remote	DIN Rail	LV G5KU 0000 0600 A	2, 3, 6, 8
146E-3K5D-1200	24 VAC	K t/c	-17 to 315°C	High Limit	Manual Reset	10A Relay	Remote	DIN Rail	LV G5LU -017 0315 A	2, 3, 6, 8
146E-3K5D-2100	24 VAC	K t/c	0 to 600°F	Low Limit	Manual Reset	10A Relay	Integral	DIN Rail	LV G6KY 0000 0600 A	3, 6, 8
146E-3K5D-2100	24 VAC	K t/c	-17 to 315°C	Low Limit	Manual Reset	10A Relay	Integral	DIN Rail	LV G6LY -017 0315 A	3, 6, 8
146E-3K5D-2200	24 VAC	K t/c	0 to 600°F	Low Limit	Manual Reset	10A Relay	Remote	DIN Rail	LV G5KY 0000 0600 A	2, 3, 6, 8
146E-3K5D-2200	24 VAC	K t/c	-17 to 315°C	Low Limit	Manual Reset	10A Relay	Remote	DIN Rail	LV G5LY -017 0315 A	2, 3, 6, 8
146E-3K5D-3100	24 VAC	K t/c	0 to 600°F	High Limit	Auto Reset	10A Relay	Integral	DIN Rail	LV G6KW 0000 0600 A	3, 6, 8
146E-3K5D-3100	24 VAC	K t/c	-17 to 315°C	High Limit	Auto Reset	10A Relay	Integral	DIN Rail	LV G6LW -017 0315 A	3, 6, 8
146E-3K5D-3200	24 VAC	K t/c	0 to 600°F	High Limit	Auto Reset	10A Relay	Remote	DIN Rail	LV G5KW 0000 0600 A	2, 3, 6, 8
146E-3K5D-3200	24 VAC	K t/c	-17 to 315°C	High Limit	Auto Reset	10A Relay	Remote	DIN Rail	LV G5LW -017 0315 A	2, 3, 6, 8
146E-3K5D-4100	24 VAC	K t/c	0 to 600°F	Low Limit	Auto Reset	10A Relay	Integral	DIN Rail	LV G6KZ 0000 0600 A	3, 6, 8
146E-3K5D-4100	24 VAC	K t/c	-17 to 315°C	Low Limit	Auto Reset	10A Relay	Integral	DIN Rail	LV G6LZ -017 0315 A	3, 6, 8
146E-3K5D-4200	24 VAC	K t/c	0 to 600°F	Low Limit	Auto Reset	10A Relay	Remote	DIN Rail	LV G5KZ 0000 0600 A	2, 3, 6, 8
146E-3K5D-4200	24 VAC	K t/c	-17 to 315°C	Low Limit	Auto Reset	10A Relay	Remote	DIN Rail	LV G5LZ -017 0315 A	2, 3, 6, 8
146E-3K5F-1100	24 VAC	K t/c	0 to 600°F	High Limit	Manual Reset	10A Relay	Integral	DIN Rail	LV G6KU 0000 0600 A	3, 6
146E-3K5F-1200	24 VAC	K t/c	0 to 600°F	High Limit	Manual Reset	10A Relay	Remote	DIN Rail	LV G5KU 0000 0600 A	2, 3, 6
146E-3K5F-2100	24 VAC	K t/c	0 to 600°F	Low Limit	Manual Reset	10A Relay	Integral	DIN Rail	LV G6KY 0000 0600 A	3, 6
146E-3K5F-2200	24 VAC	K t/c	0 to 600°F	Low Limit	Manual Reset	10A Relay	Remote	DIN Rail	LV G5KY 0000 0600 A	2, 3, 6
146E-3K5F-3100	24 VAC	K t/c	0 to 600°F	High Limit	Auto Reset	10A Relay	Integral	DIN Rail	LV G6KW 0000 0600 A	3, 6
146E-3K5F-3200	24 VAC	K t/c	0 to 600°F	High Limit	Auto Reset	10A Relay	Remote	DIN Rail	LV G5KW 0000 0600 A	2, 3, 6
146E-3K5F-4100	24 VAC	K t/c	0 to 600°F	Low Limit	Auto Reset	10A Relay	Integral	DIN Rail	LV G6KZ 0000 0600 A	3, 6
146E-3K5F-4200	24 VAC	K t/c	0 to 600°F	Low Limit	Auto Reset	10A Relay	Remote	DIN Rail	LV G5KZ 0000 0600 A	2, 3, 6
146E-3P1C-1100	24 VAC	100 ohm DIN	-73 to 600°C	High Limit	Manual Reset	10A Relay	Integral	DIN Rail	LV G6RU -073 0600 A	3, 6
146E-3P1C-1200	24 VAC	100 ohm DIN	-73 to 600°C	High Limit	Manual Reset	10A Relay	Remote	DIN Rail	LV G5RU -073 0600 A	2, 3, 6
146E-3P1C-2100	24 VAC	100 ohm DIN	-73 to 600°C	Low Limit	Manual Reset	10A Relay	Integral	DIN Rail	LV G6RY -073 0600 A	3, 6
146E-3P1C-2200	24 VAC	100 ohm DIN	-73 to 600°C	Low Limit	Manual Reset	10A Relay	Remote	DIN Rail	LV G5RY -073 0600 A	2, 3, 6
146E-3P1C-3100	24 VAC	100 ohm DIN	-73 to 600°C	High Limit	Auto Reset	10A Relay	Integral	DIN Rail	LV G6RW -073 0600 A	3, 6
146E-3P1C-3200	24 VAC	100 ohm DIN	-73 to 600°C	High Limit	Auto Reset	10A Relay	Remote	DIN Rail	LV G5RW -073 0600 A	2, 3, 6
146E-3P1C-4100	24 VAC	100 ohm DIN	-73 to 600°C	Low Limit	Auto Reset	10A Relay	Integral	DIN Rail	LV G6RZ -073 0600 A	3, 6
146E-3P1C-4200	24 VAC	100 ohm DIN	-73 to 600°C	Low Limit	Auto Reset	10A Relay	Remote	DIN Rail	LV G5RZ -073 0600 A	2, 3, 6

Series 146

Series 146	Line Voltage	Input	Temp Range	Control Mode	Action	Output	Set Point	Mounting	Retrofit control	See Notes Below
146E-3P1D-1100	24 VAC	100 ohm DIN	-73 to 600°C	High Limit	Manual Reset	10A Relay	Integral	DIN Rail	LV G6RU -073 0600 A	3, 6, 8
146E-3P1D-1100	24 VAC	100 ohm DIN	-100 to 1112 °F	High Limit	Manual Reset	10A Relay	Integral	DIN Rail	LV G6PU -100 1112 A	3, 6, 8
146E-3P1D-1200	24 VAC	100 ohm DIN	-73 to 600°C	High Limit	Manual Reset	10A Relay	Remote	DIN Rail	LV G5RU -073 0600 A	2, 3, 6, 8
146E-3P1D-1200	24 VAC	100 ohm DIN	-100 to 1112 °F	High Limit	Manual Reset	10A Relay	Remote	DIN Rail	LV G5PU -100 1112 A	2, 3, 6, 8
146E-3P1D-2100	24 VAC	100 ohm DIN	-73 to 600°C	Low Limit	Manual Reset	10A Relay	Integral	DIN Rail	LV G6RY -073 0600 A	3, 6, 8
146E-3P1D-2100	24 VAC	100 ohm DIN	-100 to 1112 °F	Low Limit	Manual Reset	10A Relay	Integral	DIN Rail	LV G6PY -100 1112 A	3, 6, 8
146E-3P1D-2200	24 VAC	100 ohm DIN	-73 to 600°C	Low Limit	Manual Reset	10A Relay	Remote	DIN Rail	LV G5RY -073 0600 A	2, 3, 6, 8
146E-3P1D-2200	24 VAC	100 ohm DIN	-100 to 1112 °F	Low Limit	Manual Reset	10A Relay	Remote	DIN Rail	LV G5PY -100 1112 A	2, 3, 6, 8
146E-3P1D-3100	24 VAC	100 ohm DIN	-73 to 600°C	High Limit	Auto Reset	10A Relay	Integral	DIN Rail	LV G6RW -073 0600 A	3, 6, 8
146E-3P1D-3100	24 VAC	100 ohm DIN	-100 to 1112 °F	High Limit	Auto Reset	10A Relay	Integral	DIN Rail	LV G6PW -100 1112 A	3, 6, 8
146E-3P1D-3200	24 VAC	100 ohm DIN	-73 to 600°C	High Limit	Auto Reset	10A Relay	Remote	DIN Rail	LV G5RW -073 0600 A	2, 3, 6, 8
146E-3P1D-3200	24 VAC	100 ohm DIN	-100 to 1112 °F	High Limit	Auto Reset	10A Relay	Remote	DIN Rail	LV G5PW -100 1112 A	2, 3, 6, 8
146E-3P1D-4100	24 VAC	100 ohm DIN	-73 to 600°C	Low Limit	Auto Reset	10A Relay	Integral	DIN Rail	LV G6RZ -073 0600 A	3, 6, 8
146E-3P1D-4100	24 VAC	100 ohm DIN	-100 to 1112 °F	Low Limit	Auto Reset	10A Relay	Integral	DIN Rail	LV G6PZ -100 1112 A	3, 6, 8
146E-3P1D-4200	24 VAC	100 ohm DIN	-73 to 600°C	Low Limit	Auto Reset	10A Relay	Remote	DIN Rail	LV G5RZ -073 0600 A	2, 3, 6, 8
146E-3P1D-4200	24 VAC	100 ohm DIN	-100 to 1112 °F	Low Limit	Auto Reset	10A Relay	Remote	DIN Rail	LV G5PZ -100 1112 A	2, 3, 6, 8
146E-3P1F-1100	24 VAC	100 ohm DIN	-100 to 1112 °F	High Limit	Manual Reset	10A Relay	Integral	DIN Rail	LV G6PU -100 1112 A	3, 6
146E-3P1F-1200	24 VAC	100 ohm DIN	-100 to 1112 °F	High Limit	Manual Reset	10A Relay	Remote	DIN Rail	LV G5PU -100 1112 A	2, 3, 6
146E-3P1F-2100	24 VAC	100 ohm DIN	-100 to 1112 °F	Low Limit	Manual Reset	10A Relay	Integral	DIN Rail	LV G6PY -100 1112 A	3, 6
146E-3P1F-2200	24 VAC	100 ohm DIN	-100 to 1112 °F	Low Limit	Manual Reset	10A Relay	Remote	DIN Rail	LV G5PY -100 1112 A	2, 3, 6
146E-3P1F-3100	24 VAC	100 ohm DIN	-100 to 1112 °F	High Limit	Auto Reset	10A Relay	Integral	DIN Rail	LV G6PW -100 1112 A	3, 6
146E-3P1F-3200	24 VAC	100 ohm DIN	-100 to 1112 °F	High Limit	Auto Reset	10A Relay	Remote	DIN Rail	LV G5PW -100 1112 A	2, 3, 6
146E-3P1F-4100	24 VAC	100 ohm DIN	-100 to 1112 °F	Low Limit	Auto Reset	10A Relay	Integral	DIN Rail	LV G6PZ -100 1112 A	3, 6
146E-3P1F-4200	24 VAC	100 ohm DIN	-100 to 1112 °F	Low Limit	Auto Reset	10A Relay	Remote	DIN Rail	LV G5PZ -100 1112 A	2, 3, 6
146E-3T1C-1100	24 VAC	T t/c	-200 to 350°C	High Limit	Manual Reset	10A Relay	Integral	DIN Rail	LV G6NU -200 0350 A	3, 6
146E-3T1C-1200	24 VAC	T t/c	-200 to 350°C	High Limit	Manual Reset	10A Relay	Remote	DIN Rail	LV G5NU -200 0350 A	2, 3, 6
146E-3T1C-2100	24 VAC	T t/c	-200 to 350°C	Low Limit	Manual Reset	10A Relay	Integral	DIN Rail	LV G6NY -200 0350 A	3, 6
146E-3T1C-2200	24 VAC	T t/c	-200 to 350°C	Low Limit	Manual Reset	10A Relay	Remote	DIN Rail	LV G5NY -200 0350 A	2, 3, 6
146E-3T1C-3100	24 VAC	T t/c	-200 to 350°C	High Limit	Auto Reset	10A Relay	Integral	DIN Rail	LV G6NW -200 0350 A	3, 6
146E-3T1C-3200	24 VAC	T t/c	-200 to 350°C	High Limit	Auto Reset	10A Relay	Remote	DIN Rail	LV G5NW -200 0350 A	2, 3, 6
146E-3T1C-4100	24 VAC	T t/c	-200 to 350°C	Low Limit	Auto Reset	10A Relay	Integral	DIN Rail	LV G6NZ -200 0350 A	3, 6
146E-3T1C-4200	24 VAC	T t/c	-200 to 350°C	Low Limit	Auto Reset	10A Relay	Remote	DIN Rail	LV G5NZ -200 0350 A	2, 3, 6
146E-3T1D-1100	24 VAC	T t/c	-328 to 662°F	High Limit	Manual Reset	10A Relay	Integral	DIN Rail	LV G6MU -328 0662 A	3, 6, 8
146E-3T1D-1100	24 VAC	T t/c	-200 to 350°C	High Limit	Manual Reset	10A Relay	Integral	DIN Rail	LV G6NU -200 0350 A	3, 6, 8
146E-3T1D-1200	24 VAC	T t/c	-328 to 662°F	High Limit	Manual Reset	10A Relay	Remote	DIN Rail	LV G5MU -328 0662 A	2, 3, 6, 8
146E-3T1D-1200	24 VAC	T t/c	-200 to 350°C	High Limit	Manual Reset	10A Relay	Remote	DIN Rail	LV G5NU -200 0350 A	2, 3, 6, 8
146E-3T1D-2100	24 VAC	T t/c	-328 to 662°F	Low Limit	Manual Reset	10A Relay	Integral	DIN Rail	LV G6MY -328 0662 A	3, 6, 8
146E-3T1D-2100	24 VAC	T t/c	-200 to 350°C	Low Limit	Manual Reset	10A Relay	Integral	DIN Rail	LV G6NY -200 0350 A	3, 6, 8
146E-3T1D-2200	24 VAC	T t/c	-328 to 662°F	Low Limit	Manual Reset	10A Relay	Remote	DIN Rail	LV G5MY -328 0662 A	2, 3, 6, 8
146E-3T1D-2200	24 VAC	T t/c	-200 to 350°C	Low Limit	Manual Reset	10A Relay	Remote	DIN Rail	LV G5NY -200 0350 A	2, 3, 6, 8
146E-3T1D-3100	24 VAC	T t/c	-328 to 662°F	High Limit	Auto Reset	10A Relay	Integral	DIN Rail	LV G6MW -328 0662 A	3, 6, 8

Series 146

Series 146	Line Voltage	Input	Temp Range	Control Mode	Action	Output	Set Point	Mounting	Retrofit control	See Notes Below
146E-3T1D-3100	24 VAC	T t/c	-200 to 350°C	High Limit	Auto Reset	10A Relay	Integral	DIN Rail	LV G6NW -200 0350 A	3, 6, 8
146E-3T1D-3200	24 VAC	T t/c	-328 to 662°F	High Limit	Auto Reset	10A Relay	Remote	DIN Rail	LV G5MW -328 0662 A	2, 3, 6, 8
146E-3T1D-3200	24 VAC	T t/c	-200 to 350°C	High Limit	Auto Reset	10A Relay	Remote	DIN Rail	LV G5NW -200 0350 A	2, 3, 6, 8
146E-3T1D-4100	24 VAC	T t/c	-328 to 662°F	Low Limit	Auto Reset	10A Relay	Integral	DIN Rail	LV G6MZ -328 0662 A	3, 6, 8
146E-3T1D-4100	24 VAC	T t/c	-200 to 350°C	Low Limit	Auto Reset	10A Relay	Integral	DIN Rail	LV G6NZ -200 0350 A	3, 6, 8
146E-3T1D-4200	24 VAC	T t/c	-328 to 662°F	Low Limit	Auto Reset	10A Relay	Remote	DIN Rail	LV G5MZ -328 0662 A	2, 3, 6, 8
146E-3T1D-4200	24 VAC	T t/c	-200 to 350°C	Low Limit	Auto Reset	10A Relay	Remote	DIN Rail	LV G5NZ -200 0350 A	2, 3, 6, 8
146E-3T1F-1100	24 VAC	T t/c	-328 to 662°F	High Limit	Manual Reset	10A Relay	Integral	DIN Rail	LV G6MU -328 0662 A	3, 6
146E-3T1F-1200	24 VAC	T t/c	-328 to 662°F	High Limit	Manual Reset	10A Relay	Remote	DIN Rail	LV G5MU -328 0662 A	2, 3, 6
146E-3T1F-2100	24 VAC	T t/c	-328 to 662°F	Low Limit	Manual Reset	10A Relay	Integral	DIN Rail	LV G6MY -328 0662 A	3, 6
146E-3T1F-2200	24 VAC	T t/c	-328 to 662°F	Low Limit	Manual Reset	10A Relay	Remote	DIN Rail	LV G5MY -328 0662 A	2, 3, 6
146E-3T1F-3100	24 VAC	T t/c	-328 to 662°F	High Limit	Auto Reset	10A Relay	Integral	DIN Rail	LV G6MW -328 0662 A	3, 6
146E-3T1F-3200	24 VAC	T t/c	-328 to 662°F	High Limit	Auto Reset	10A Relay	Remote	DIN Rail	LV G5MW -328 0662 A	2, 3, 6
146E-3T1F-4100	24 VAC	T t/c	-328 to 662°F	Low Limit	Auto Reset	10A Relay	Integral	DIN Rail	LV G6MZ -328 0662 A	3, 6
146E-3T1F-4200	24 VAC	T t/c	-328 to 662°F	Low Limit	Auto Reset	10A Relay	Remote	DIN Rail	LV G5MZ -328 0662 A	2, 3, 6

Note 1: Retrofit controller requires a substitution of a 100 Ohm DIN RTD sensor.

Note 2: Mounting and dimensions of retrofit controller are different. Verify that sufficient panel space and depth is available.

Note 3: Retrofit controller outputs are different. Add external interposing mechanical or solid state relay if applicable.

Note 4: Retrofit controller has a programmable, not fixed set point. Lock set point using controller's lockout parameter.

Note 5: For DIN rail mounting or sub-panel mounting, purchase DIN rail adapter p/n 0822-0586-P001 for 1/32 DIN or p/n 0822-0586-P002 for 1/16 DIN.

Note 6: Add a quencharc suppressor, Watlow p/n 0804-0147-0000, for inductive loads.

Note 7: Retrofit does not have equivalent action (as example, no manual reset)

Note 8: Retrofit controller does not have dual dial scale.

Note 9: Hardware lockout is not available on retrofit.

Note 10: Retrofit controller does not have user selectable line voltage.

Note 11: Retrofit does not support remote set point or retransmit. If wires are on these pins, select a different retrofit.

Note 12: Retrofit controller does not have user selectable control action.

Note 13: Solid state sensor required for humidity. See <http://www.vaisala.com>

Note 14: Retrofit controller does not have user selectable control mode.

Note 15: Use auxiliary event board A007-1732-F4B8

Note 16: Retrofit communications are different, consult specifications.

Note 17: Verify retrofit input range matches application.

Series 146

User's Manual



Temperature Regulator



ISO 9001



1241 Bundy Boulevard, P.O. Box 5580, Winona, Minnesota USA 55987-5580
Phone: +1 (507) 454-5300, Fax: +1 (507) 452-4507, Internet: <http://www.watlow.com>

0600-0004-0010 Rev D
December 2001

Supersedes: 0600-0004-0010 Rev C \$5.00 Made in the U.S.A.

General Description

The Watlow Series 146 is a DIN rail mount, temperature regulating controller with a thermocouple or RTD sensor input. The DIN rail mounting offers quick and easy installation with the use of simple hand tools. The controller may also be flush mounted.

The Series 146 is designed to meet the needs of a wide range of safety applications. Factory selectable options include high or low control mode with either manual or automatic reset on power loss.

The Series 146 has an LED for output status indication and can be ordered with an integral or remote adjustable set point, or a fixed set point.

1 ■ Watlow Series 146 User's Manual

Specifications

(2089)

Control Mode

- High or low limit, factory selectable
- Manual or automatic reset on power loss, factory selectable
- Latching alarm with manual reset on over or under temperature
- Internal and/or customer supplied external reset switch

Operator Interface

- LED indication of output status
- Dial scale calibrated to compensate for sensor non-linearities
- Integral or remote set point
 - Dual temperature scale (°C and °F)
- Fixed set point
 - Manufactured to specified value

Input

- Thermocouple or platinum RTD available
- Thermocouple with automatic cold junction compensation
- Thermocouple may be isolated or grounded
- Thermocouple and RTD break protection de-energizes output
- 2- or 3-wire RTD input, 100Ω @ 0°C calibrated for 0.003850Ω/Ω °C curve

Output

- Electromechanical relay, 8A, Form C, SPDT: 8A @ 240V~ resistive, 8A @ 28V= (dc) resistive, 275VA pilot duty rated

Accuracy

Adjustable Set Point, integral or remote

- Calibration accuracy: ±1% of span, at 25°C ± 3°C (77°F ±5°F) ambient and rated line voltage ± 1%
- Set point accuracy: ±3% of dial scale
- Accuracy span: 540°C (1000°F) minimum

Fixed Set Point

- Calibration accuracy: ±6°C/±10°F of setting, at 25°C ±3°C (77°F ±5°F) ambient and rated line voltage ±1%

Temperature Stability

- Thermocouple: Typically 9μV/°C ambient (5μV/°F ambient) input referenced
- RTD: Typically 0.2°C/°C ambient (0.2°F/°F ambient)

Voltage Stability

- ±0.01% of span (min. span of 540°C or 1000°F) per % of rated line voltage

Agency Approvals

- CE: EN61010 - Safety
EN61326 - Industrial Immunity, Class B Emissions
Installation Category 2, Pollution Degree 2
- 873, File #E43684
- to C22.2 No. 24, File #E43684
- Approved for use in commercial cooking applications
- FM Class 3545, File J.I. 3007307

Terminals

- Captive screw, cage clamp connection, 4 mm (0.155 in.) max. width screwdriver blade, 30 to 14-gauge wire

Mounting

- DIN rail, DIN EN50022, 35 mm x 7.5 mm
- Sub-panel flush mounting

Power

- 24V~, +10%/-15%, 50/60 Hz
- 120V~, +10%/-15%, 50/60 Hz
- 230V~ to 240~, +10%/-15%, 50/60 Hz
- 10VA maximum power

Operating Environment

- 0 to 55°C (32 to 131°F)
- 0 to 90% RH, non-condensing
- Storage temperature: -20 to 85°C (-4 to 185°F)

Dimensions

- Width: 60 mm (2.28 in)
- Height: 115 mm (4.45 in)
- Depth: 100 mm (3.89 in)

Weight

- 0.3kg (0.7 lb.)

UL® is a registered trademark of Underwriter's Laboratories, Inc.
Note: Specifications subject to change without notice.

Dimensions

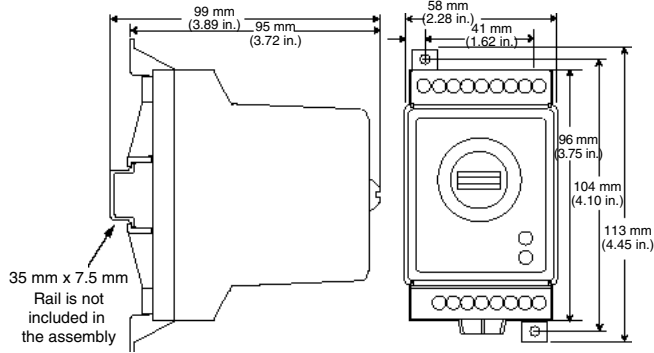


Figure 2a — Series 146 dimensions.

Installation

Sub-Panel Mounting the Series 146

NOTE: FM approval requires limit switches to be suitably enclosed to minimize casual readjustment of set temperature.

1. Using the controller as a location template, mark both mounting holes.
2. Drill two 5 mm (0.19 in.) diameter holes in the desired panel location. See Figure 2a for hole locations.
3. Mount the Series 146 using two #8-32 screws.

DIN Rail Mounting the Series 146

1. Place the Series 146 upper mounting clip on the top edge of the DIN rail. See Figure 2b on this page.
2. Press down firmly on the top front edge of the Series 146. The controller “snaps” securely onto the rail. If the controller does not snap on, check to see if the DIN rail is bent. Minimum clipping distance is 34.8 mm (1.37 in.), the maximum is 35.3 mm (1.39 in.).

Removing the Series 146 from the DIN Rail

1. Place your fingers on the release lever located at the base of the Series 146.
2. While gently pressing on the top of the case, above Terminals 1-9, pull forward on the release lever.

Safety Information

Note, caution and warning symbols appear throughout this book to draw your attention to important operational and safety information.

A “NOTE” marks a short message to alert you to an important detail.

A “CAUTION” safety alert appears with information that is important for protecting your equipment and performance.

A “WARNING” safety alert appears with information that is important for protecting you, others and equipment from damage. Pay very close attention to all warnings that apply to your application.

The ⚠ symbol (an exclamation point in a triangle) precedes a general CAUTION or WARNING statement.

The ⚡ symbol (a lightning bolt in a triangle) precedes an electric shock hazard CAUTION or WARNING safety statement.

Mounting

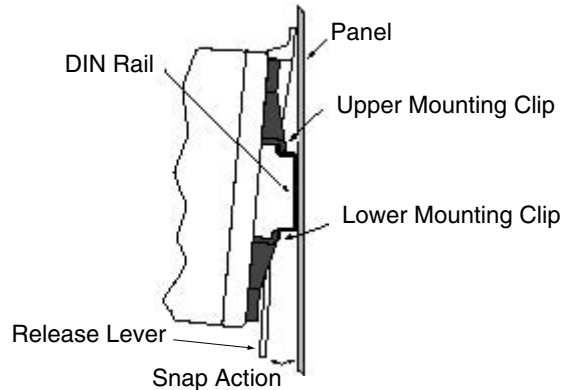


Figure 2b — Series 146 side view mounting.

Wiring Guidelines

- Use the correct sensor type per the model number on the unit sticker.
- Use the proper thermocouple or RTD polarity.
- Insulate the thermocouple mounting from the mounting surface to prevent heat migration input errors.
- Thermocouple leads should be twisted pair wire and routed separately from any other lines.
- In electrically noisy environments (heavy switching of contactor, motors, solenoids, etc.) use shielded thermocouple lead wire with the shield connected at the sensor end only.
- All wiring and fusing must conform to the National Electric Code (NEC) NFPA70 and any other locally applicable codes.
- Fuse the independent load voltage on the L1 (hot) side and connect it to the common (COM) side of the relay.



CAUTION: A power disconnect located near the controller is recommended to shut down power in case of controller failure.

- Long lead lengths create electrical resistance. When using a two wire RTD, there will be an additional error for every 1Ω of lead length resistance. That resistance when added to the resistance of the RTD element, can result in erroneous input to the temperature limit. To overcome this problem, use a three wire RTD sensor, which compensates for lead length resistance. When extension wire is used for a three wire RTD, all three extension wires must have the same electrical resistance. (i.e. same gauge, copper stranded).

Power Wiring

120V~	146_ - 1 _ _ _ - 0000
230 to 240 V~	146_ - 2 _ _ _ - 0000
24V~	146_ - 3 _ _ _ - 0000

NOTE: The line voltage is specified by your model number.

⚠ WARNING: To avoid potential electric shock, use National Electrical Code safety practices when wiring and connecting this unit to a power source and to electrical sensors or peripheral devices. All wiring and fusing must conform to the National Electric Code and to any locally applicable codes. Failure to comply with these recommendations could result in damage to equipment and property, and injury to personnel.

⚠ WARNING: The Series 146 safety limit should be mounted in an inconspicuous location to discourage unauthorized changes to the set point. Only approved and appropriate personnel should have the authority to change the set point on the limit switch. Failure to comply with these recommendations could result in damage to equipment and property, and injury to personnel.

⚠ CAUTION: Applying incorrect voltage may result in irreversible damage to the controller.

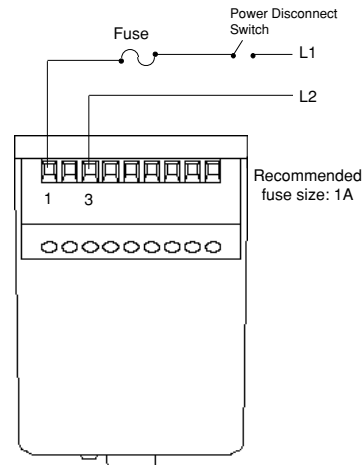


Figure 3a — Power wiring.

Input Wiring

Thermocouple

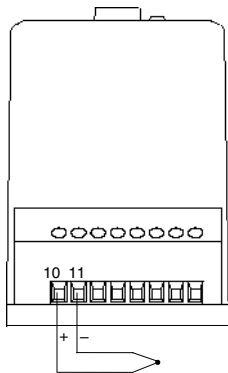


Figure 3b — Thermocouple wiring.

2- and 3-Wire RTD

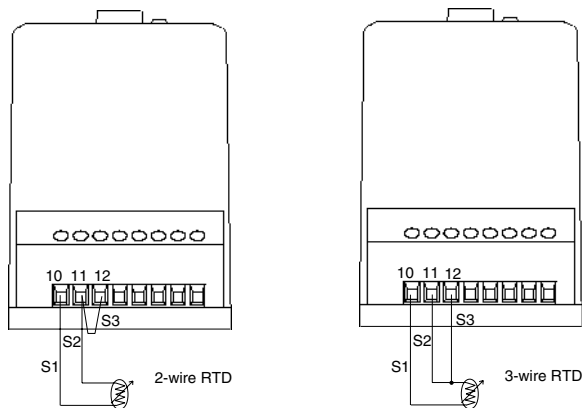


Figure 3c — 2- and 3-Wire RTD Wiring

NOTE: 2- or 3-wire RTD input, calibrated for 0.003850Ω/Ω °C curve.

Output Wiring

Electromechanical Relay, Form C

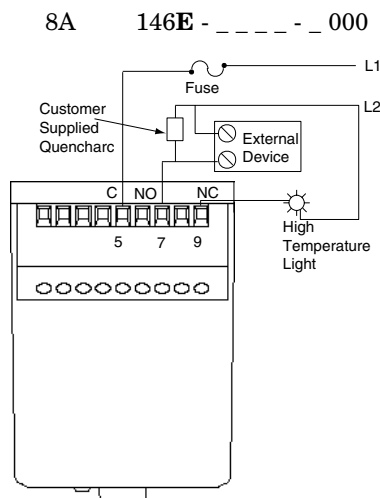
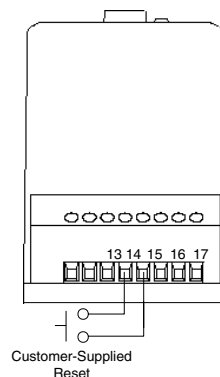


Figure 3d — Electromechanical relay wiring.

⚠ NOTE: Switching inductive loads (relay coils, solenoids, etc.) with the mechanical relay, switched dc or solid-state relay output options requires use of an R.C. Suppressor. Watlow carries the R.C. suppressor Quencharc brand name, which is a trademark of ITW Paktron. Watlow Part No. 0804-0147-0000.

Remote Reset



NOTE: The Series 146 used with a remote reset may affect FM recognition. Only the use of a momentary switch is valid for approval.

NOTE: Reset is customer-supplied.

Figure 3e — Remote reset wiring.

System Example

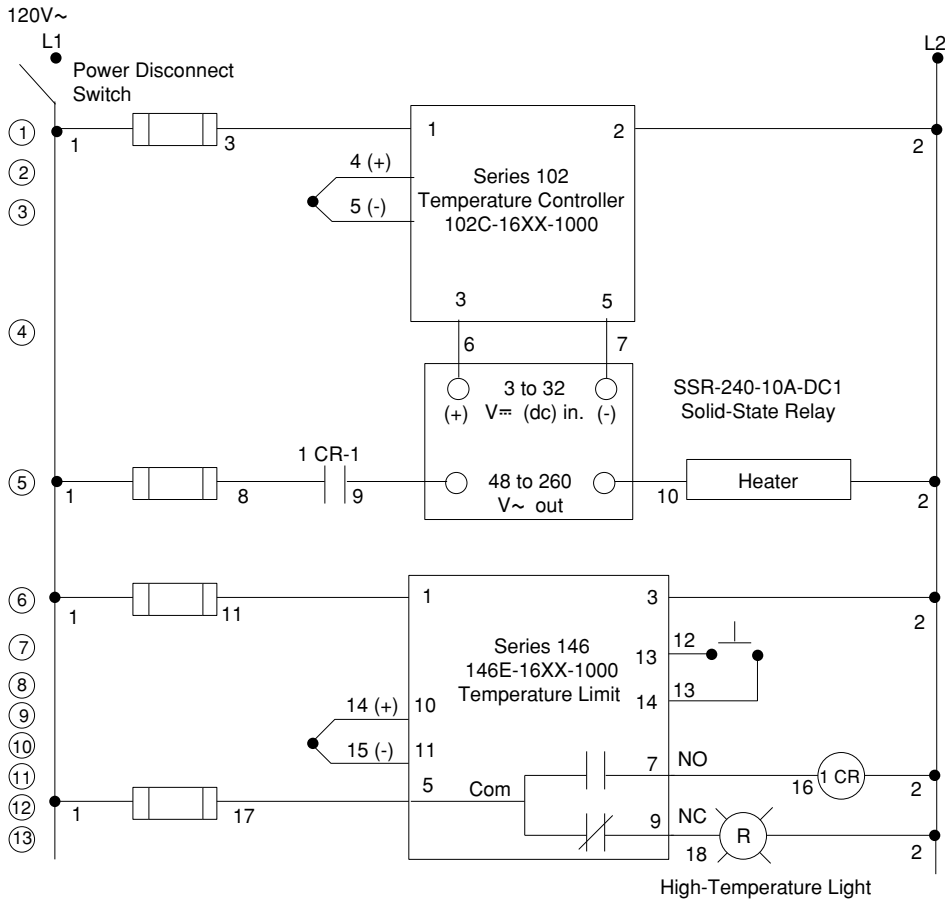
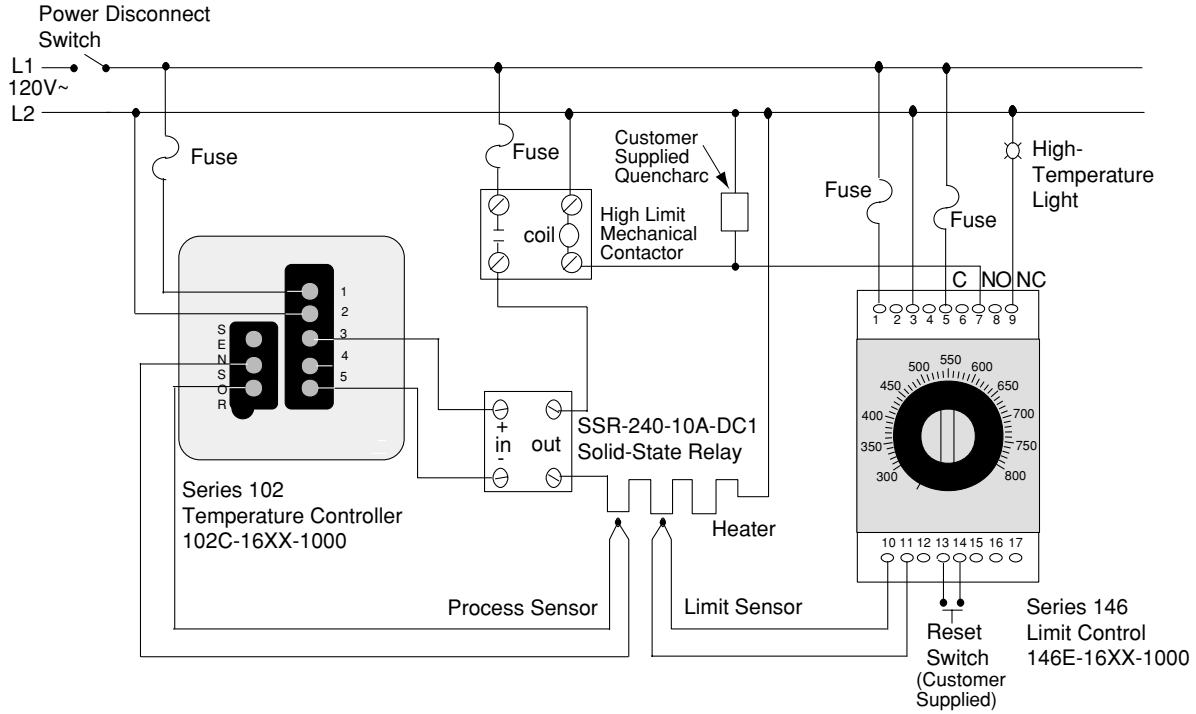


Figure 4 — System wiring examples.

Declaration of Conformity

Series 146



WATLOW WINONA

1241 Bundy Boulevard

Winona, Minnesota 55987 USA

Declares that the following product:

English

Designation: Series 146
Model Numbers: 146E - (1,2 or 3) (100-999) - (1, 2, 3 or 4) (Any three letters or numbers)
Classification: Temperature control, Installation Category II, Pollution degree II
Rated Voltage: 24, 120 or 240 V- (ac)
Rated Frequency: 50 or 60 Hz
Rated Power Consumption: 10 VA maximum
Meets the essential requirements of the following European Union Directives by using the relevant standards shown below to indicate compliance.

89/336/EEC Electromagnetic Compatibility Directive

EN 61326:1997 With A1:1998 - Electrical equipment for measurement, control and laboratory use - EMC requirements (Industrial Immunity, Class A Emissions).
EN 61000-4-2:1996 With A1, 1998 - Electrostatic Discharge Immunity
EN 61000-4-3:1997 - Radiated Field Immunity
EN 61000-4-4:1995 - Electrical Fast-Transient / Burst Immunity
EN 61000-4-5:1995 With A1, 1996 - Surge Immunity
EN 61000-4-6:1996 - Conducted Immunity
EN 61000-4-11:1994 Voltage Dips, Short Interruptions and Voltage Variations Immunity
EN 61000-3-2:1995 With A1-3:1999 - Harmonic Current Emissions
EN 61000-3-3:1995 With A1:1998 - Voltage Fluctuations and Flicker

73/23/EEC Low-Voltage Directive

EN 61010-1:1993 With A1:1995 Safety Requirements of electrical equipment for measurement, control and laboratory use. Part 1: General requirements

déclare que le produit suivant :

Français

Désignation : Série 146 Numéros de modèle : 146E - (1,2 ou 3) (100-999) - (1, 2, 3 ou 4) (N'importe quelle combinaison de trois lettres ou chiffres)
Classification : Régulation de température, Catégorie d'installation II, Degré de pollution II
Tension nominale : 24, 120 ou 240V - (c.a)
Fréquence nominale : 50 ou 60 Hz
Consommation d'alimentation nominale : 10 VA maximum

Répond aux normes essentielles des directives suivantes de l'Union européenne en utilisant les standards normalisés ci-dessous qui expliquent les normes auxquelles répondre :

Directive 89/336/CEE sur la compatibilité électromagnétique

EN 61326:1997 avec A1 :1998 - Matériel électrique destiné à l'étalonnage, au contrôle et à l'utilisation en laboratoire - Exigences CEM (immunité industrielle, Émissions de catégorie A).

EN 61000-4-2:1996 Avec A1, 1998 - Immunité aux décharges électrostatiques
EN 61000-4-3:1997 - Immunité aux champs de radiation
EN 61000-4-4:1995 - Immunité contre les surtensions électriques rapides/ Rafale
EN 61000-4-5:1995 avec A1, 1996 - Immunité contre les surtensions
EN 61000-4-6:1996 - Immunité conduite
EN 61000-4-11:1994 Immunité contre les écarts de tension, interruptions courtes et variations de tension
EN 61000-3-2:1995 avec A1-3:1999 - Emissions de courant harmoniques
EN 61000-3-3:1995 avec A1 :1998 - Fluctuations et vacillements de tension

Directive 73/23/CEE sur les basses tensions

EN 61010-1:1993 avec A1 :1995 Normes de sécurité du matériel électrique pour la mesure, le contrôle et l'utilisation en laboratoire. 1ère partie : Conditions générales

Erklärt, daß das folgende Produkt:

Deutsch

Beschreibung: Serie 146
Modellnummer(n): 146E - (1, 2 oder 3) (100-999) - (1, 2, 3 oder 4) (Drei beliebige Buchstaben oder Ziffern)
Klassifikation: Regelsystem, Installationskategorie II, Emissionsgrad II
Nennspannung: 24, 120 oder 240V
Nennfrequenz: 50/60 Hz
Nominaler Stromverbrauch: Maximaler 10VA

Erfüllt die wichtigsten Normen der folgenden Anweisung(en) der Europäischen Union unter Verwendung des wichtigsten Abschnitts bzw. der wichtigsten Abschnitte die unten zur Befolgung aufgezeigt werden.

89/336/EEC Elektromagnetische Übereinstimmungsanweisung

EN 61326:1997 With A1:1998 - Sicherheitsrichtlinien für Elektrogeräte zur Messung, zur Steuerung und im Labor - EMC Erfordernis (Industrieimmunität, Klasse A Emission).
EN 61000-4-2:1996 With A1, 1998 - Elektrostatische Entladungsimmunität
EN 61000-4-3:1997 - Strahlungsfeldimmunität
EN 61000-4-4:1995 - Elektrische schnelle Stöße/Burstimmunität
EN 61000-4-5:1995 With A1, 1996 - Spannungstoßimmunität
EN 61000-4-6:1996 - Störimmunität
EN 61000-4-11:1994 Spannungsabfall, Kurze Unterbrechungen und Spannungsschwankungsimmunität
EN 61000-3-2:1995 With A1-3:1999 - Grenzen der Oberwellenstromemissionen
EN 61000-3-3:1995 With A1:1998 - Spannungsschwankungen und Flimmern

73/23/EEC Niederspannungsrichtlinie zu entsprechen

EN 61010-1:1993 mit A1:1995 Sicherheitsrichtlinien für Elektrogeräte zur Messung, zur Steuerung und im Labor, Teil 1: Allgemeine Richtlinien

Declara que el producto siguiente:

Español

Designación: Serie 146
Números de modelo: 146E - (1, 2 ó 3) (100-999) - (1, 2, 3 ó 4) (Cualquier combinación de tres números y letras)
Clasificación: Control de temperatura, Categoría de instalación II, grado de contaminación ambiental II
Tensión nominal: 24, 120 ó 240V
Frecuencia nominal: 50/60 Hz
Consumo nominal de energía: 10 VA máximo

Cumple con los requisitos esenciales de las siguientes Directivas de la Unión Europea mediante el uso de las normas pertinentes que se muestran a continuación para indicar su acatamiento.

89/336/EEC Directiva de compatibilidad electromagnética

EN 61326:1997 CON a1:1998 - Equipo eléctrico para medición, control y uso en laboratorio - Requisitos EMC (Inmunidad industrial, Emisiones Clase A).
EN 61000-4-2:1996 con A1, 1988 - Inmunidad a descarga electrostática
EN 61000-4-3:1997 - Inmunidad a campo radiado
EN 61000-4-4:1995 - Inmunidad a incremento repentino/rápidas fluctuaciones eléctricas transitorias
EN 61000-4-5:1995 con A1, 1996 - Inmunidad a picos de voltaje o corriente
EN 61000-4-6:1996 - Inmunidad por conducción
EN 61000-4-11:1994 Inmunidad a caídas de voltaje, variaciones y pequeñas interrupciones de voltaje
EN 61000-3-2:1995 CON a1-3:1999 - Emisiones de corriente armónica
EN 61000-3-3:1995 con A1:1998 - Fluctuaciones de voltaje y centelleo

73/23/EEC Directiva de bajo voltaje

EN 61010-1:1993 con A1:1995 Requisitos de seguridad de equipo eléctrico para medición, control y uso en laboratorio. Parte 1: Requisitos generales

Jim Boigenzahn
Name of Authorized Representative

Winona, Minnesota, USA
Place of Issue

General Manager
Title of Authorized Representative

August 2001
Date of Issue

Signature of Authorized Representative

Ordering Information

(2012) **146** - - **00**

Output Type

E = Electromechanical relay, 8A, Form C

Line Voltage

1 = 120V~

2 = 230V~ to 240V~

3 = 24V~

Input and Range

Type E

619 = 0 to 799°C (32 to 1470°F)

Type J

601 = 0 to 315°C (32 to 600°F)

602 = 0 to 750°C (32 to 1382°F)

615 = Fixed at 315°C (600°F)

618 = -17 to 93°C (0 to 200°F)

620 = 149 to 427°C (300 to 800°F)

623 = 43 to 54°C (110 to 130°F)

625 = 121 to 221°C (250 to 430°F)

Type K

603 = 0 to 1250°C (32 to 2282°F)

611 = 0 to 600°C (32 to 1112°F)

626 = 16 to 149°C (60 to 300°F)

627 = 0 to 66°C (32 to 150°F)

628 = -17 to 315°C (0 to 600°F)

Type T

629 = -200 to 350°C (-328 to 662°F)

632 = Fixed at -75°C (-103°F)

RTD

101 = -73 to 600°C (-100 to 1112°F) (100Ω)

104 = -73 to 600°C (-100 to 1112°F) (1000Ω)

105 = 0 to 80°C (32 to 176°F)

106 = Fixed at 200°C (392°F)

107 = Fixed at 350°C (662°F)

108 = Fixed at 110°C (230°F)

109 = Fixed at 150°C (302°F)

110 = Fixed at 120°C (248°F)

111 = Fixed at 250°C (482°F)

Limit Mode

1 = High limit, manual reset on power loss

2 = Low limit, manual reset on power loss

3 = High limit, automatic reset on power loss

4 = Low limit, automatic reset on power loss

Remote Options

0 = Regulating control, integral setpot

N = Regulating control, no setpot, customer provided

S = Regulating control, remote setpot with remote reset

P = Regulating control, remote setpot

NOTE: Electromechanical relays are typically warranted for 100,000 closures only.

Warranty

The Series 146 is warranted to be free of defects in material and workmanship for 36 months after delivery to the first purchaser for use, providing that the unit has not been misapplied. Since Watlow has no control over its use or misuse, we cannot guarantee against failure. Watlow's obligations hereunder, at Watlow's option, are limited to replacement or refund of purchase price of a unit which upon examination proves to be defective within the warranty period. This warranty does not apply to damage resulting from transportation, alteration, misuse or abuse.

Returns

- Call or fax Customer Service for a Return Material Authorization (RMA) number before returning a product.
- Put the RMA number on the shipping label, and also a description of the problem.
- A 20% of net price restocking charge applies to all standard units returned to stock.

Contact:

- Phone: 507/454-5300
- Fax: 507/452-4507

Technical Support

If you encounter a problem with your Watlow controller, verify that your wiring is correct for your specific model number. If the problem persists, an Application Engineer can discuss your application with you.

Before calling, please have the complete model number and user's manual available. You can get technical support by dialing 507/454-5300, 7 a.m. to 7 p.m. Central Standard Time. The Series 146 User's Manual is copyrighted by Watlow Inc., © 2001, with all rights reserved. (1965)

Note: User documentation may be available in French, German, Spanish, Italian, and Dutch, as well as English. Check Watlow's website (www.watlow.com/) for availability. Specify language at time of order.

Troubleshooting

Problem	Probable Cause	Action
The load will not turn on.	An open sensor	Repair or replace.
	The load circuit is open.	Check the fuses, circuit breakers, load and wiring.
	The ac input is not connected or is connected improperly.	Check the ac input connections. If not present, connect per Power Wiring, page 3.
The load will not turn off.	The polarity is reversed on the thermocouple.	Connect per Input Wiring, page 4.
	A faulty unit.	Remove power to the controller and the controller from the system. Apply power to the system with the controller removed. If the load turns off, return the controller to the factory. If the load remains on, there are other problems in the system that must be resolved. Consult the factory.

24V~ Line Voltage

Supplement to: Series 102, 103, 104, 145, 146, 147 User's Manuals

 **CAUTION:**
Refer to the accompanying document for wiring and safety information.

Specification Exceptions

Power

- 24V~, +10%/-15%, 50/60 Hz

Power Wiring

24V~ 1_ _ _ - 3_ _ _ - _ _ _ _

See the "Power Wiring" section in the user's manual for wiring instructions.

Ordering Information

Line Voltage ————— 1_ _ _ - _ _ _ - _ _ _ _
3 = 24V~



1241 Bundy Boulevard
P.O. Box 5580
Winona, Minnesota
55987-5580
Phone: 507-454-5300
Fax: 507-452-4507

0600-0004-0018 Rev A

Special Supplement to:
Series 102 Users Manual - 0600-0004-0006 Rev C
Series 103 Users Manual - 0600-0004-0007 Rev D
Series 104 Users Manual - 0600-0004-0008 Rev C
Series 145 Users Manual - 0600-0004-0009 Rev C
Series 146 Users Manual - 0600-0004-0010 Rev D
Series 147 Users Manual - 0600-0004-0011 Rev E
February 2001



Made in the U.S.A.
Printed on Recycled Paper

10% Postconsumer Waste